

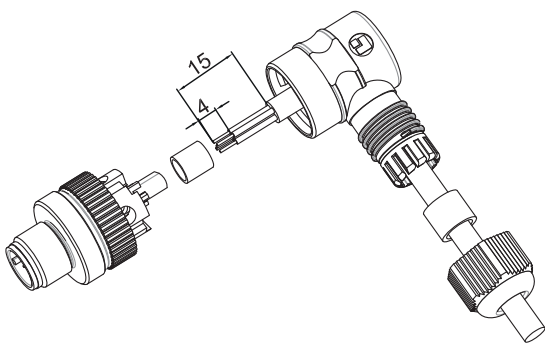
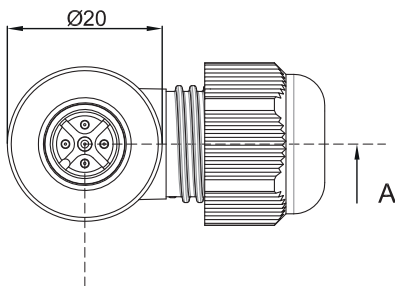
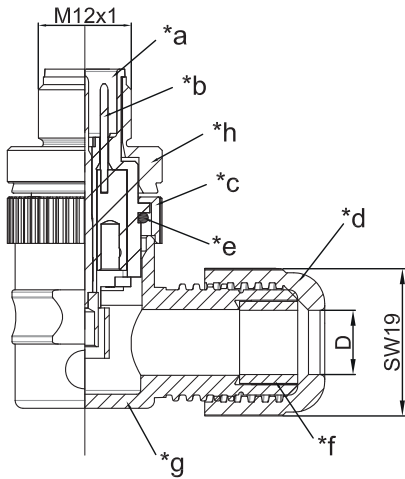
M12 1255 ... T9CR

Field-attachable Connectors M12



M12 connector, male, field-attachable, with screw clamps,  
angled, A-coded, IP67

**M12 1255 ... T9CR**



**Environmental conditions**

Temperature range -25 °C/+90 °C

**Materials**

|                 |                                  |
|-----------------|----------------------------------|
| Insulating body | PA GF, V-0 according to UL94     |
| Contact pin     | CuZn, pre-nickel and gold-plated |
| Housing         | PBT, V-0 according to UL94       |
| Knurled screw   | CuZn, nickel-plated              |
| Cap nut         | PA, V-2 according to UL94        |
| O-ring gasket   | FKM                              |
| Hose gasket     | CR/NBR                           |

**Mechanical data**

|                  |                     |
|------------------|---------------------|
| Insertion force  | ≤ 10 N <sup>1</sup> |
| Withdrawal force | ≤ 15 N <sup>1</sup> |
| Protection class | IP67 <sup>2</sup>   |

<sup>1</sup> measured with a proper counterpart

<sup>2</sup> according to IEC DIN EN 60529, only in locked condition with an appropriate counterpart

**Connectable conductors for screw clamp**

|                |                                  |
|----------------|----------------------------------|
| Section        | ≤ 0.75 mm <sup>2</sup> /≅ AWG 20 |
| Cable diameter | 4.0–8.0 mm                       |

**Electrical data (at T<sub>amb</sub> 20 °C)**

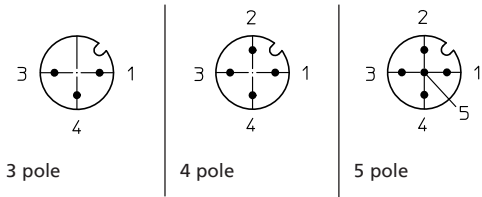
|                       |   |
|-----------------------|---|
| Contact resistance    | ≤ 5 mΩ <sup>1</sup>   |
| Rated current         | 4 A (T <sub>amb</sub> 40 °C)  |
| Rated voltage         | 125 V AC/150 V AC/DC (3–4 poles)<br>30 V AC/36 V DC (5 poles)<br>(with pollution degree 3) <sup>2</sup> |
| Rated impulse voltage | 2500 V (3–4 poles)<br>1500 V (5 poles) <sup>2</sup>   |
| Withstand voltage     | 1400 V (3–4 poles)<br>1250 V (5 poles)  |
| Material group        | II (IEC)/I (UL) (400 ≤ CTI < 600) <sup>2</sup>  |
| Insulation resistance | > 1 GΩ  |

<sup>1</sup> measured with a proper counterpart

<sup>2</sup> according to IEC 60664/DIN EN 60664, CTI UL classification according to ANSI/UL 746A

**M12** 1255 ... T9CR

Pin assignment for male M12 connectors, A-coded, front view



- \*a insulating body
- \*b contact pin
- \*c nut
- \*d cap nut
- \*e O-ring gasket
- \*f hose gasket
- \*g housing
- \*h knurled screw

Associated products

Counterparts

|   |   |   |
|---|---|---|
| <a href="#">☞ 1200 ... 0...</a>         | <a href="#">☞ 1200 ... 3...</a>         | <a href="#">☞ 1205 ... 0...</a>         |
| <a href="#">☞ 1205 ... 3...</a>         | <a href="#">☞ 1206 ... L1 0...</a>      | <a href="#">☞ 1206 ... L1 3...</a>      |
| <a href="#">☞ 1206 ... L2 0...</a>      | <a href="#">☞ 1206 ... L2 3...</a>      | <a href="#">☞ 1210 1200 ... 0...</a>    |
| <a href="#">☞ 1210 1200 ... 3...</a>    | <a href="#">☞ 1210 1205 ... 3...</a>    | <a href="#">☞ 1210 1206 ... L1 0...</a> |
| <a href="#">☞ 1210 1206 ... L1 3...</a> | <a href="#">☞ 1210 1206 ... L2 0...</a> | <a href="#">☞ 1210 1206 ... L2 3...</a> |
| <a href="#">☞ 1220 ... T16CW ...</a>    | <a href="#">☞ 1220 ... T20CW100 ...</a> | <a href="#">☞ 1220 ... T20CW101 ...</a> |
| <a href="#">☞ 1220 ... T20CW102 ...</a> | <a href="#">☞ 1220 ... T20CW103 ...</a> | <a href="#">☞ 1220 ... T20CW104 ...</a> |
| <a href="#">☞ 1220 ... T20CW105 ...</a> | <a href="#">☞ 1221 ... T16CW100 ...</a> | <a href="#">☞ 1221 ... T9CP</a>         |
| <a href="#">☞ 5500 04DL1 3...</a>       | <a href="#">☞ 5500 04L1 3...</a>        | <a href="#">☞ 5500 08DL1 3...</a>       |
| <a href="#">☞ 5500 08L1 3...</a>        | <a href="#">☞ 5512 04DL1</a>            | <a href="#">☞ 5512 04L1</a>             |
| <a href="#">☞ 5512 08L1</a>             |   |   |

Accessories

[☞ 9912 CPM0](#)

M12 1255 ... T9CR

| Designation  | Pole Number | PU (Pieces) | MDQ (Pieces) | Dimensions |             |         |
|--------------|-------------|-------------|--------------|------------|-------------|---------|
|              |             |             |              | A (mm)     | D (mm)      | SW (mm) |
| 1255 04 T9CR | 4           | 5           | 10           | 62         | 9 (4.0-8.0) | 19      |
| 1255 05 T9CR | 5           | 5           | 10           | 62         | 9 (4.0-8.0) | 19      |

**Packaging:**  
in a plastic bag