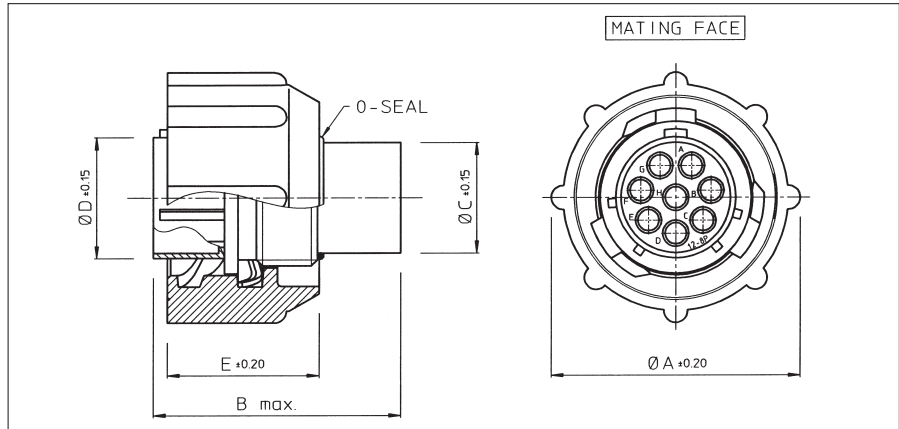
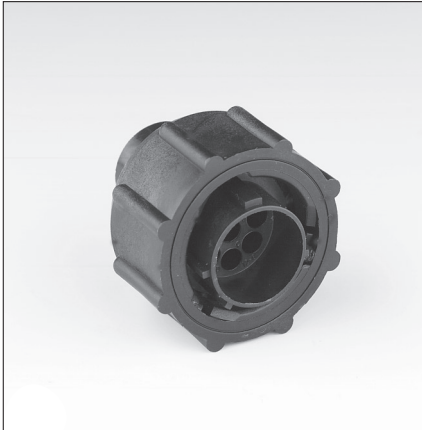


UTP



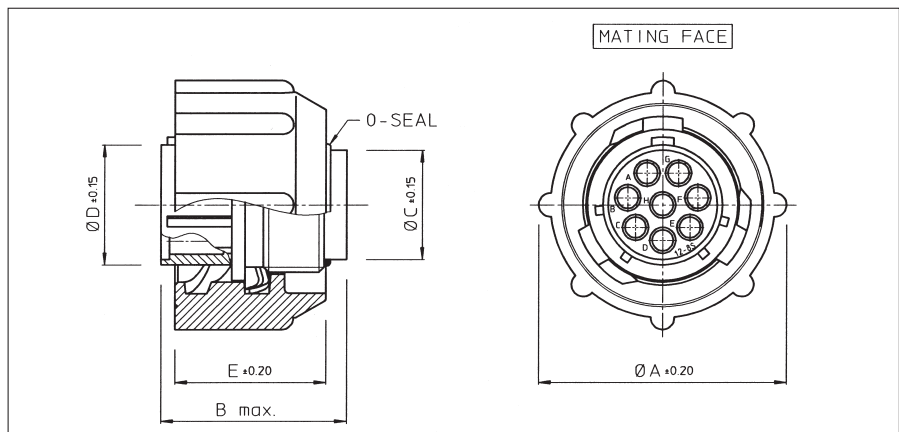
Cable plug for pin contacts (UTP6- - - -P)



| Part number | Shell size | $\varnothing A \pm 0.2$ | B max. | $\varnothing C \pm 0.15$ | $\varnothing D \pm 0.15$ | $\varnothing E \pm 0.2$ |
|---------------------------------|------------|-------------------------|-------------|--------------------------|--------------------------|-------------------------|
| UTP6104P / UTP6103PVDE | 10 | 26.7 | 31.8 | 10.9 | 12.2 | 19.1 |
| UTP6128P | 12 | 31.4 | | 13.8 | 15.1 | |
| UTP61412P | 14 | 34.5 | | 17.0 | 18.3 | |
| UTP61619P | 16 | 37.8 | 19.9 | 21.5 | | |
| UTP61823P / UTP6187PVDEU | 18 | 40.8 | 31.8 / 33.0 | 22.4 | 24.0 | |
| UTP62028P | 20 | 43.9 | 31.8 | 25.6 | 27.2 | |
| UTP62235P | 22 | 47.0 | | 28.5 | 30.4 | |
| UTP62448P | 24 | 50.1 | | 31.7 | 33.5 | |

Part numbers are suitable for both standard and IP65 water protection versions.

Cable plug for socket contacts (UTP6- - - -S)



| Part number | Shell size | $\varnothing A \pm 0.2$ | B max. | $\varnothing C \pm 0.15$ | $\varnothing D \pm 0.15$ | $\varnothing E \pm 0.2$ |
|---------------------------------|------------|-------------------------|--------------|--------------------------|--------------------------|-------------------------|
| UTP6104S / UTP6103SVDE | 10 | 26.7 | 23.9 / 26.75 | 10.9 | 12.2 | 19.1 |
| UTP6128S | 12 | 31.4 | 23.9 | 13.8 | 15.1 | |
| UTP61412S | 14 | 34.5 | | 17.0 | 18.3 | |
| UTP61619S | 16 | 37.8 | | 19.9 | 21.5 | |
| UTP61823S / UTP6187SVDEU | 18 | 40.8 | 23.9 / 29.0 | 22.4 | 24.0 | |
| UTP62028S | 20 | 43.9 | 24.9 | 25.6 | 27.2 | |
| UTP62235S | 22 | 47.0 | 26.2 | 28.5 | 30.4 | |
| UTP62448S | 24 | 50.1 | | 31.7 | 33.5 | |

Part numbers are suitable for both standard and IP65 water protection versions.