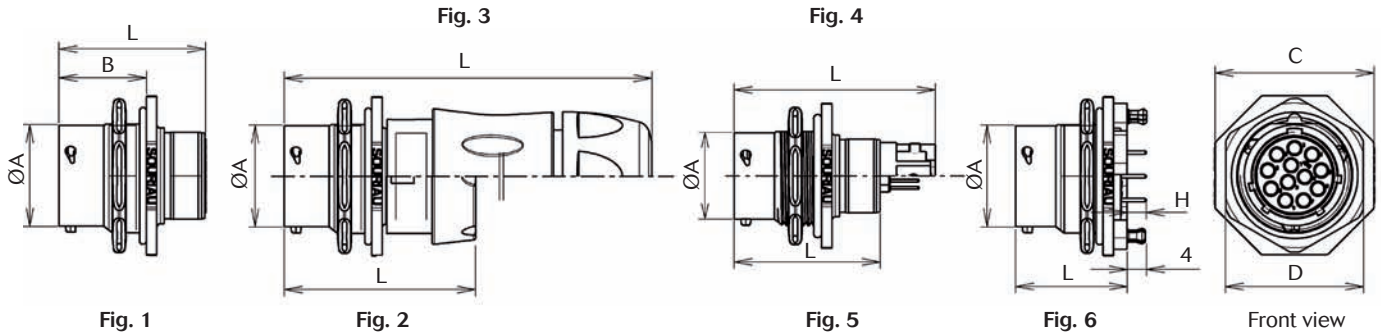


UTS Series



Dimensions



Part number	Shell size	L (total length)	ØA	B	C	D	Figure
UTS7 - - P	10	33.9	14.9	19.3	27	22.2	Fig. 1
	12		19		31.8	27	
	14		22.2		34.9	30.2	
	18		28.5		41.3	36.6	
	10		14.9		27	22.2	
UTS7 - - S	12	33.9	19	19.3	31.8	27	Fig. 1
	14		22.2		34.9	30.2	
	18		28.5		41.3	36.6	
	10		14.9		27	22.2	
UTS7GN104P	10	41	14.9	19.3	27	22.2	Fig. 2
UTS7GN128P	12	40.7	19		31.8	27	
UTS7GN147P	14	43	22.2	19.3	34.9	30.2	Fig. 2
UTS7GN1412P							
UTS7GJC104P	10	70.5	14.9	19.3	27	22.2	Fig. 3
UTS7GJC128P	10	74	19		31.8	27	
UTS7GJC147P	14	80.5	22.2		19.3	34.9	
UTS7GJC1412P							
UTS7 - E - P	8	25	12	19.3	24	19.3	Fig. 5
	10		14.9		27	22.2	
	12		19		31.8	27	
	14		22.2		34.9	30.2	
UTS7 - E - S	8	25	12	19.3	24	19.3	Sealed Unmated
	10		14.9		27	22.2	
	12		19		31.8	27	
	14		22.2		34.9	30.2	
UTS7128PSEK9	12	25	19	19.3	31.8	27	Fig. 6
UTS7147PSEK9	14		22.1		34.9	30.2	
UTS7 - D - P	8	25	12	19.3	24	19.3	Fig. 6
	10		14.9		28	22.2	
	12		19		31.8	27	
	14		22.2		34.9	30.2	
UTS7 - D - S	8	25	12	19.3	24	19.3	Fig. 6
	10		14.9		28	22.2	
	12		19		31.8	27	
	14		22.2		34.9	30.2	
UTS7 - D - P32	8	25	12	19.3	24	19.3	Sealed Unmated
	10		14.9		28	22.2	
	12		19		31.8	27	
	14		22.2		34.9	30.2	
UTS7 - D - S32	8	25	12	19.3	24	19.3	Fig. 6
	10		14.9		28	22.2	
	12		19		31.8	27	
	14		22.2		34.9	30.2	
UTS7 - - P	10	33.9	14.9	19.3	27	22.2	Fig. 5
	12		19		31.8	27	
	14		22.2		34.9	30.2	
	18		28.5		41.3	36.6	
	10		14.9		27	22.2	
UTS7 - - S	12	33.9	19	19.3	31.8	27	Fig. 5
	14		22.2		34.9	30.2	
	18		28.5		41.3	36.6	
	10		14.9		27	22.2	
UTS7124PSCR	12	46.5	19	19.3	31.8	27	Fig. 4
UTS7147PSCR	14	52.5	22.2		34.9	30.2	
UTS7124SSCR	12	38.3	19	19.3	31.8	27	Fig. 4
UTS7147SSCR	14	44.4	22.2		34.9	30.2	
UTS718RJFN	18	48	28.5	19.3	41.3	36.6	

H (for PCB contact): PCB nominal length (see page 30)
For coding " - - " see p.6 and UTS layout guide p.12.

Note : all dimensions are in mm