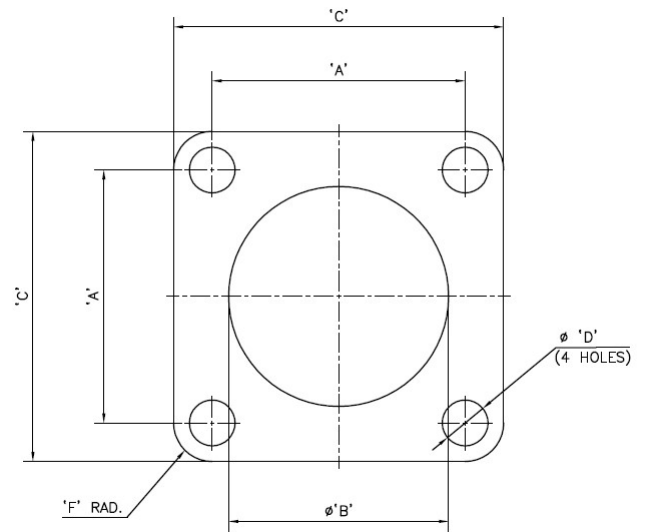


Data Sheet

Sealing Gaskets

Sealing Gaskets prevents dirt, oil and moisture from entering at the mounting point between the connector and panel. It is made from flurosilicone rubber.



Shell Size	Part Number	A (± 0.13)	B (± 0.18)	C (± 0.20)	D (± 0.13)	F Rad. (± 0.38)	Thickness (± 0.13)
9	D38999-119404	19.26	17.45	23.80	3.18	2.67	0.64
11	D38999-119405	20.62	19.61	26.19	3.18	2.67	0.64
13	D38999-119406	23.01	23.80	28.57	3.18	2.67	0.64
15	D38999-119407	24.61	27.00	31.75	3.18	2.67	0.64
17	D38999-119408	26.97	30.15	34.11	3.18	3.43	0.64
19	D38999-119409	29.36	33.32	37.26	3.18	3.43	0.64
21	D38999-119410	31.75	36.50	39.67	3.18	3.43	0.64
23	D38999-119411	34.92	39.67	43.26	3.18	3.43	0.64
25	D38999-119412	38.10	40.64	46.02	3.86	3.43	0.64

VGL IMPEX PTY LTD ABN 28 007 143 259 T/A

ALLIED CONNECTORS

192-196 Atlantic Drive Keysborough VIC 3173 AUSTRALIA

TEL (INTL) + 61 3 9701 8514
 TEL (AUST) 1300 793 466
 EMAIL sales@alliedconnectors.com