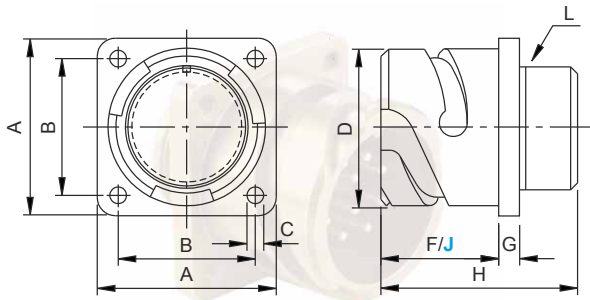


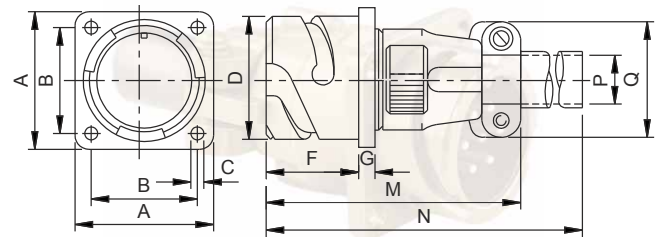
MG 00T / B05

Box mounting receptacle for front mounting.
With back shell threads.



MG 00F

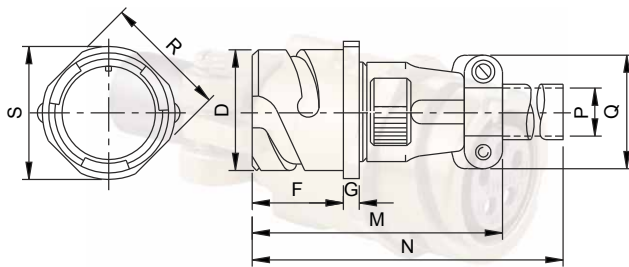
Box mounting receptacle for front mounting.
With cable clamp and telescopic bushing.



TH option available on all square flange connectors.

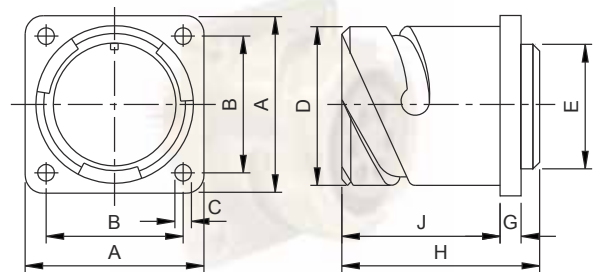
MG 01F

Cable connecting receptacle with cable clamp
and telescopic bushing.



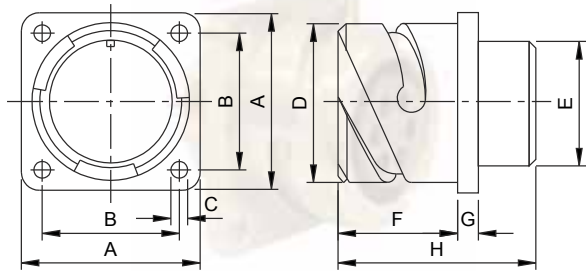
MG 02R B05

Box mounting receptacle for rear mounting.



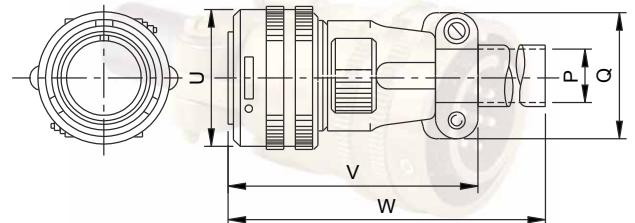
MG 02R

Box mounting receptacle for front mounting.



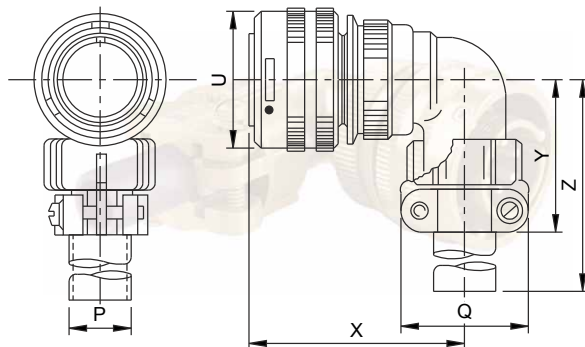
MG 06F

Straight cable connector with cable clamp
and telescopic bushing.



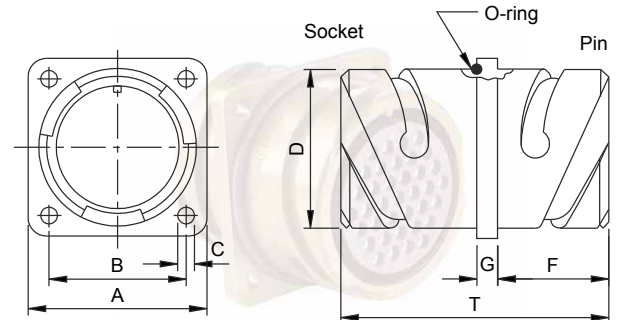
MG 08F

90 ° angle connector with cable clamp
and telescopic bushing.



MG TBF

Bulkhead receptacle.



DIMENSION CHART

SHELL SIZE	10SL	12S	14S	16S	16	18	20	22	24	28	32	36	40
A ± 0.3	25.4	28.0	30.0	32.0	32.0	35.0	38.0	41.0	44.5	50.8	57.0	64.0	69.9
B ± 0.1	18.2	20.6	23.0	24.6	24.6	27.0	29.4	31.8	34.9	39.7	44.5	49.2	55.5
C +0.15 -0	3.2	3.2	3.2	3.2	3.2	3.2	3.2	3.2	3.7	3.7	4.3	4.3	4.3
D +0 -0.15	18.2	21.4	24.6	27.4	27.4	30.8	34.2	37.4	40.9	46.7	53.4	59.6	65.5
E MAX	16.2	16.0	19.2	22.4	22.4	25.6	29.0	32.2	35.3	41.4	47.8	54.1	59.0
F +0.4 -0	14.2	14.2	14.2	14.2	19.0	19.0	19.0	19.0	20.6	20.6	22.2	22.2	22.2
G ± 0.2	2.8	3.2	3.2	3.2	3.2	4.0	4.0	4.0	4.0	4.0	4.0	4.0	4.0
H ± 0.3	24.7	24.7	24.7	24.7	33.8	33.8	33.8	33.8	35.7	35.7	37.3	37.3	37.3
J +0.4 -0	18.2	18.2	18.2	18.2	21.5	23.0	23.0	23.0	23.0	24.0	24.0	24.0	24.0
K ISO Thread	M4	M4	M4	M4	M4	M4	M4	M4	M4	M5	M5	M5	M5
L UNEF-2A Thread	5/8" x 24	5/8" x 24	3/4" x 20	7/8" x 20	7/8" x 20	1" x 20	1 1/8" x 18	1 1/4" x 18	1 3/8" x 18	1 5/8" x 18	1 5/8" x 16UN	2 1/8" x 16UN	2 5/8" x 16UN
M MAX	60.0	60.0	62.0	70.0	70.0	77.0	77.0	77.0	85.0	85.0	85.0	105.0	128.0
N MAX	120.0	120.0	120.0	120.0	125.0	125.0	125.0	125.0	125.0	125.0	125.0	135.0	
P Cable Entry	6.5	6.5	9.0	11.0	11.0	14.2	15.8	15.8	21.4	212.4	26.7	31.7	34.9
Q MAX	23.0	23.0	28.0	30.5	30.5	33.0	38.1	38.1	44.2	44.2	52.7	58.4	68.5
R ± 0.3	20.6	23.6	25.4	28.6	28.6	31.7	34.9	38.1	41.3	47.6	54.0	60.6	66.6
S MAX	25.2	27.6	29.3	32.3	32.3	34.8	37.8	41.1	44.6	50.9	57.1	63.6	70.0
T ± 0.7	37.5	37.5	37.5	37.5	51.4	51.4	51.4	51.4	51.4	51.4	51.4	51.4	51.4
U MAX	24.5	27.0	30.5	33.5	33.5	37.5	40.5	44.0	47.5	53.5	60.0	67.5	72.0
V MAX	55.0	55.0	60.0	60.0	70.0	75.0	75.0	75.0	90.0	90.0	90.0	100.0	128.0
W MAX	115.0	115.0	115.0	115.0	120.0	120.0	120.0	120.0	120.0	120.0	120.0	130.0	
X MAX	45.0	45.0	47.0	48.0	57.0	58.0	61.0	61.0	66.0	66.0	72.0	75.0	78.0
Y MAX	42.0	42.0	42.0	45.0	45.0	53.0	53.0	53.0	58.0	58.0	66.0	69.0	95.0
Z MAX	100.0	100.0	100.0	100.0	100.0	100.0	100.0	100.0	100.0	100.0	110.0	110.0	110.0

“Connect Through Allied”