

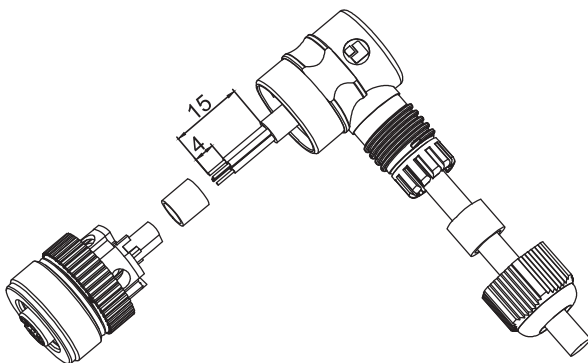
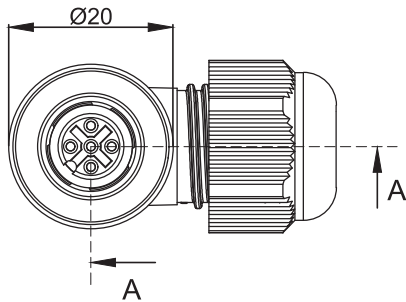
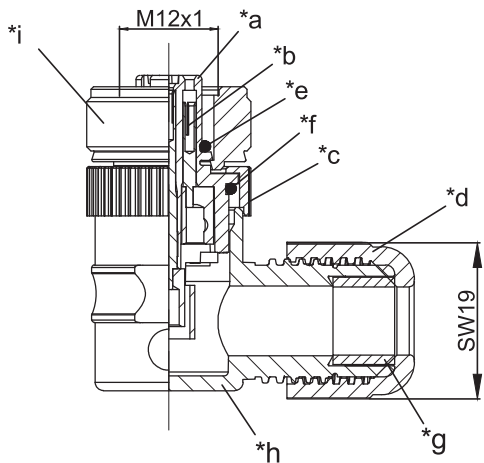
M12 1245 ... T9CR

Field-attachable Connectors M12



M12 connector, female, field-attachable, with screw clamps, angled version, A-coded, IP67

**M12 1245 ... T9CR**



**Environmental conditions**

Temperature range -25 °C/+90 °C

**Materials**

Insulating body	PA GF, V-0 according to UL94
Contact bush	CuZn, pre-nickel and gold-plated
Housing	PBT, V-0 according to UL94
Knurled nut	CuZn, nickel-plated
Cap nut	PA GF, V-0 according to UL94
O-ring gasket	FKM
Hose gasket	CR/NBR

**Mechanical data**

Insertion force	≤ 10 N <sup>1</sup>
Withdrawal force	≤ 15 N <sup>1</sup>
Protection class	IP67 <sup>2</sup>

<sup>1</sup> measured with a proper counterpart

<sup>2</sup> according to IEC DIN EN 60529, only in locked condition with an appropriate counterpart

**Connectable conductors for screw clamp**

Section	≤ 0.75 mm <sup>2</sup> /≤ AWG 20
Cable diameter	4.0–8.0 mm (1240 ... T9)

**Electrical data (at T<sub>amb</sub> 20 °C)**

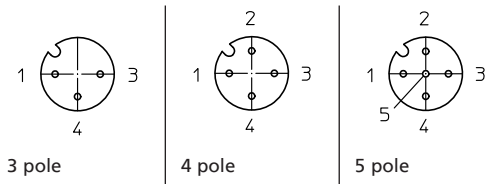
Contact resistance	≤ 5 mΩ
Rated current	4 A (T <sub>amb</sub> 40 °C)
Rated voltage	125 V AC/150 V AC/DC (3–4 poles) 30 V AC/36 V DC (5 poles) (with pollution degree 3) <sup>1</sup>
Rated impulse voltage	2500 V (3–4 poles) 1500 V (5 poles) <sup>1</sup>
Withstand voltage	1400 V (3–4 poles) 1250 V (5 poles)
Material group	II (IEC)/1 (UL) (400 ≤ CTI ≤ 600) <sup>1</sup>
Insulation resistance	> 100 MΩ

<sup>1</sup> acc. to IEC 60664/DIN EN 60664/CTI UL classification acc. to ANSI/UL 746A

M12

1245 ... T9CR

Pin assignment for female M12 connectors, A-coded, front view



- \*a insulating body
- \*b contact bush
- \*c nut
- \*d cap nut
- \*e O-ring gasket
- \*f O-ring gasket
- \*g hose gasket
- \*h housing
- \*i knurled nut

Associated products

Counterparts

- |   |   |   |
|---|---|---|
| <a href="#">☞ 1210 ... 0...</a>         | <a href="#">☞ 1210 ... 3...</a>         | <a href="#">☞ 1210 0800 ... 3...</a>    |
| <a href="#">☞ 1210 0806 ... L1 3...</a> | <a href="#">☞ 1210 1200 ... 0...</a>    | <a href="#">☞ 1210 1200 ... 3...</a>    |
| <a href="#">☞ 1210 1205 ... 3...</a>    | <a href="#">☞ 1210 1206 ... L1 0...</a> | <a href="#">☞ 1210 1206 ... L1 3...</a> |
| <a href="#">☞ 1210 1206 ... L2 0...</a> | <a href="#">☞ 1210 1206 ... L2 3...</a> | <a href="#">☞ 1250 ... T...CR</a>       |
| <a href="#">☞ 1255 ... T9CR</a>         |   |   |

Accessories

- [☞ 9912 CPFO](#)

M12 1245 ... T9CR

Designation	Pole Number	PU (Pieces)	MDQ (Pieces)	Dimensions		
				A (mm)	D (mm)	SW (mm)
1245 04 T9CR	4	5	10	56	9 (4.0-8.0)	19
1245 05 T9CR	5	5	10	56	9 (4.0-8.0)	19

**Packaging:**  
in a plastic bag