



UTS Series

Dimensions

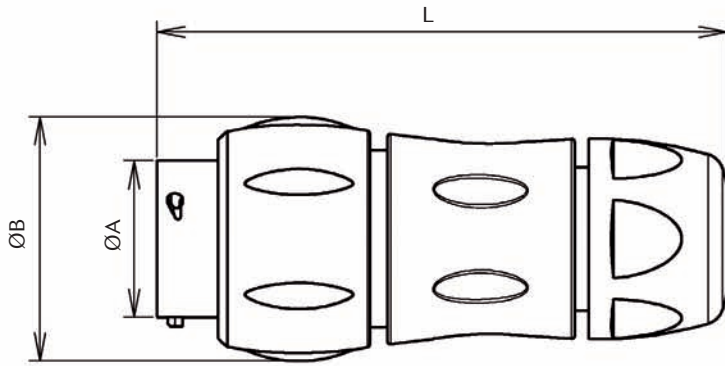


Fig. 1

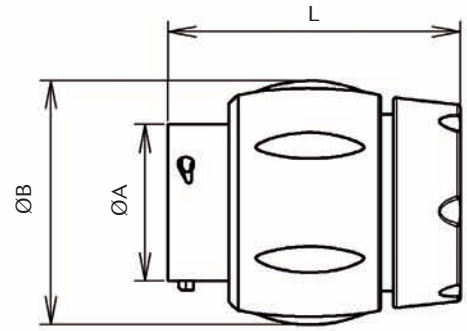


Fig. 2

Part number	Shell size	L (total length)	ØA	B	Figure
UTS1JC -- P	10	70	14.9	26.7	Fig. 1
	12	74	19	30.1	
	14	78.5	22.2	35.1	
	18	89	28.5	42	
UTS1JC -- S	10	70	14.9	26.7	
	12	74	19	30.1	
	14	78.5	22.2	35.1	
	18	89	28.5	42	
UTS1GN104P	10	40.9	14.9	26.2	Fig. 2
UTS1GN128P	12	40.9	19	29.7	
UTS1GN147P	14	43	22.2	34.6	
UTS1GN1412P					
UTS1GJC104P	10	70.7	14.9	26.2	Fig. 1
UTS1GJC128P	12	74.5	19	29.7	
UTS1GJC147P	14	80.5	22.2	34.6	
UTS1GJC412P					
UTS1JC124PSCR	12	74	19	29.7	Fig. 1
UTS1JC147PSCR	14	78.5	22.2	34.6	

For coding "--" see p.6 and UTS layout guide p.12.

Note : all dimensions are in mm