

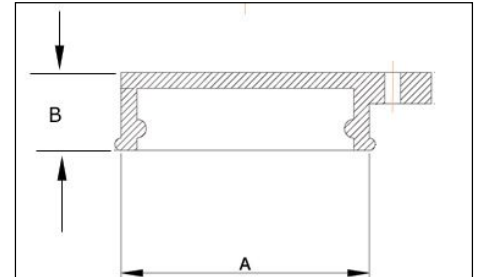
# Data Sheet

## Rubber Dust Caps

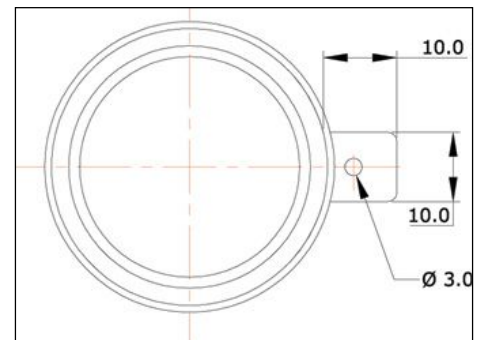
AC31 series dust caps are an alternative to the standard Mil-C 5015 metal-body dust caps. The AC31 Series caps are made out of polychloroprene rubber, and are secured onto the body of the connector by a simple push. They are secured by a nylon cord and a metal lug.



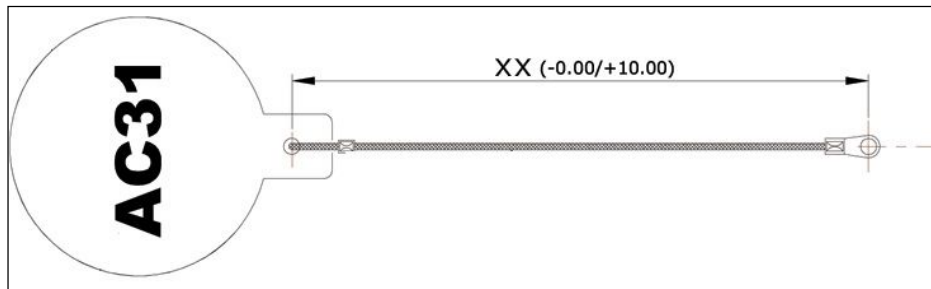
SIDE VIEW



BOTTOM VIEW



TOP VIEW



### DIMENSIONAL DETAILS

VGL Part No.	Shell Size	Dim A (mm)	Dim B (mm)
AC31-10SL-L125	10	20.0	18.0
AC31-12-L125	12	23.0	18.0
AC31-14-L125	14	27.0	18.0
AC31-16-L125	16	29.0	18.0
AC31-18-L125	18	33.0	18.0
AC31-20-L125	20	36.0	18.0
AC31-22-L125	22	39.0	18.0
AC31-24-L125	24	42.0	18.0
AC31-28-L125	28	48.0	18.0
AC31-32-L125	32	54.0	18.0

Standard length of cord supplied is 125mm long. (Replace 'xx' with length of cord required - POA)

### MATERIAL DETAILS

ITEM	MATERIAL	FINISH
Cap	Polychloroprene Rubber	Black
Cord	Nylon	Black
Crimp clip (Loop to secure cap)	Copper Ferrule	Black/Brown
End Lug (M4 hole)	Copper Alloy	Black plated



VGL IMPEX PTY LTD ABN 28 007 143 259 T/A  
**ALLIED CONNECTORS**  
 192-196 Atlantic Drive Keysborough VIC 3173 AUSTRALIA

AUS WIDE 1300 793 466  
 INTL +61 (3) 9701 8514  
 FAX +61 (3) 9701 8565  
 WEBSITE [www.alliedconnectors.com](http://www.alliedconnectors.com)  
 EMAIL [sales@alliedconnectors.com](mailto:sales@alliedconnectors.com)