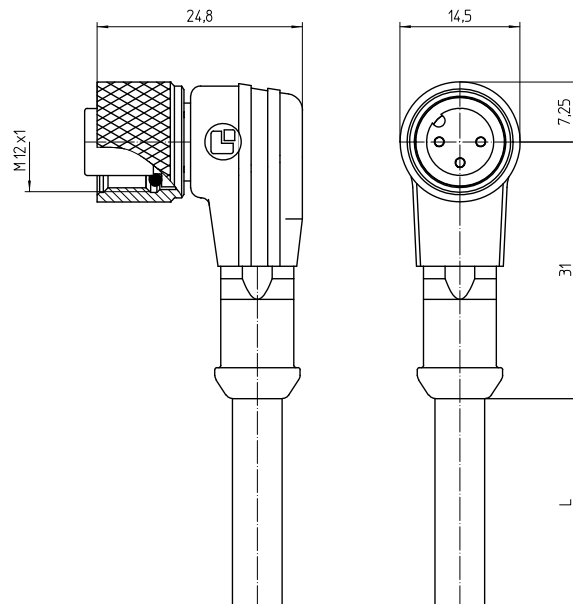


# M12

# 1205 ... 0...

Actuator/sensor cordset **PVC**  
Single-ended with female connector  
Threaded joint, IP67



M12 actuator/sensor cordset with overmolded connector, with self-locking threaded joint, IP 67

Cable end 1: M12 female connector, angled, A-coded

Cable end 2: blunt cut

Cable: PVC, black

## Pin Assignment

4 pole



1 = brown  
2 = white  
3 = blue  
4 = black

5 pole



1 = brown  
2 = white  
3 = blue  
4 = black  
5 = green/yellow

8 pole



1 = white  
2 = brown  
3 = green  
4 = yellow  
5 = gray  
6 = pink  
7 = blue  
8 = red



## Temperature Range

Temperature Range -25 °C/+80 °C

## Materials

Insulating body TPU GF, HB according to UL 94  
 Contact bush CuZn, pre-nickel and gold-plated  
 Overmolding/handle PVC, HB according to UL 94  
 Knurled nut CuZn, nickel-plated  
 Seal FKM

## Mechanical Data

Insertion force<sup>1</sup> ≤ 10 N (4 to 5 pole)  
 ≤ 23 N (8 pole)  
 Withdrawal force<sup>1</sup> ≤ 15 N (4 to 5 pole)  
 ≤ 30 N (8 pole)  
 Mating cycles ≥ 100  
 Protection degree<sup>2</sup> IP67  
 Mating connectors M12 male connectors according to IEC 61076-2-101

## Connected Cable<sup>3</sup>

Cable jacket PVC  
 Cable no. 910002 (4 x 0.34 mm<sup>2</sup>)  
 910003 (5 x 0.34 mm<sup>2</sup>)  
 910004 (8 x 0.34 mm<sup>2</sup>)  
 UL style 2464

## Electrical Data (at T<sub>amb</sub> 20 °C)

Contact resistance<sup>1</sup> ≤ 10 mΩ  
 Rated current at T<sub>amb</sub> 40 °C 4 A (4 to 5 pole)  
 2 A (8 pole)  
 Rated voltage 250 V AC/DC (4 pole)  
 60 V AC/DC (5 pole)  
 30 V AC/DC (8 pole)  
 Rated impulse voltage 2.50 kV (4 pole)  
 1.50 kV (5 pole)  
 0.80 kV (8 pole)  
 Material group I (IEC)/0 (UL) (CTI=600)  
 Pollution degree 3  
 Insulation resistance > 100 MΩ

<sup>1</sup> measured with a proper counterpart

<sup>2</sup> according to IEC DIN EN 60529, only in locked condition with an appropriate counterpart

<sup>3</sup> specifications on page 125

Designation	Poles	Cable	Cable Lengths [L] in m
1205 04 002 2m	4	PVC, black	2
1205 04 002 5m	4	PVC, black	5
1205 04 002 10m	4	PVC, black	10
1205 05 003 2m	5	PVC, black	2
1205 05 003 5m	5	PVC, black	5
1205 08 004 2m	8	PVC, black	2
1205 08 004 5m	8	PVC, black	5

More pole numbers and cable lengths on request.