

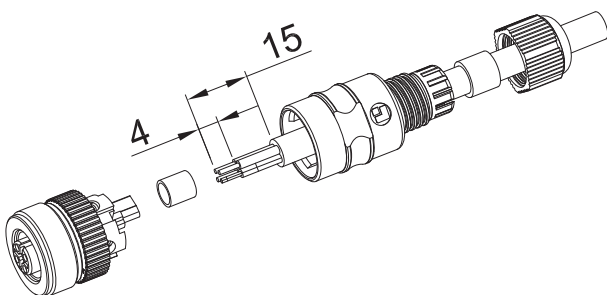
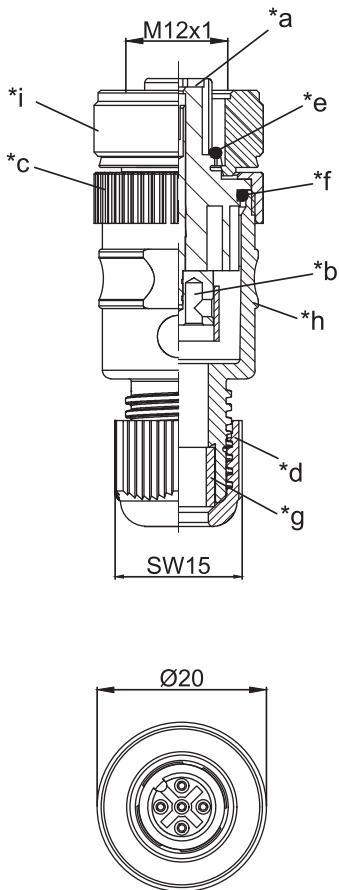
M12 1240 ... T...CR

Field-attachable Connectors M12



M12 connector, female, field-attachable, with screw clamps, straight version, A-coded, IP67

M12 1240 ... T...CR



Environmental conditions

Temperature range -25 °C/+90 °C

Materials

Insulating body	PA GF, V-0 according to UL94
Contact bush	CuZn, pre-nickel and gold-plated
Housing	PBT, V-0 according to UL94
Knurled nut	CuZn, nickel-plated
O-ring gasket	FKM
Hose gasket	CR/NBR

Mechanical data

Insertion force	≤ 10 N ¹
Withdrawal force	≤ 15 N ¹
Protection class	IP67 ²

¹ measured with a proper counterpart

² according to IEC DIN EN 60529, only in locked condition with an appropriate counterpart

Connectable conductors for screw clamp

Section	≤ 0.75 mm ² /≅ AWG 20
Cable diameter	3.0–6.5 mm (1240 ... T7) 4.0–8.0 mm (1240 ... T9)

Electrical data (at T_{amb} 20 °C)

Contact resistance	≤ 5 mΩ
Rated current	4 A (T _{amb} 40 °C)
Rated voltage	125 V AC/150 V AC/DC (3–4 poles) 30 V AC/36 V DC (5 poles) (with pollution degree 3) ¹
Rated impulse voltage	2500 V (3–4 poles) 1500 V (5 poles) ¹
Withstand voltage	1400 V (3–4 poles) 1250 V (5 poles)
Material group	II (IEC)/I (UL) (400 ≤ CTI ≤ 600) ¹
Insulation resistance	> 100 MΩ

¹ acc. to IEC 60664/DIN EN 60664/CTI UL classification acc. to ANSI/UL 746A

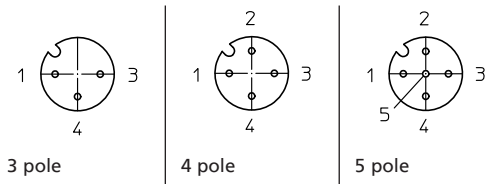
Associated products

Counterparts			
☞ 1210 ... 0...	☞ 1210 ... 3...	☞ 1210 0800 ... 3...	
☞ 1210 0806 ... L1 3...	☞ 1210 1200 ... 0...	☞ 1210 1200 ... 3...	
☞ 1210 1205 ... 3...	☞ 1210 1206 ... L1 0...	☞ 1210 1206 ... L1 3...	
☞ 1210 1206 ... L2 0...	☞ 1210 1206 ... L2 3...	☞ 1250 ... T...CR	

M12

1240 ... T...CR

Pin assignments for female M12 connectors, A-coded, front view



☞ 1255 ... T9CR

Accessories
☞ 9912 CPFO

- *a insulating body
- *b screw clamp contact
- *c nut
- *d cap nut
- *e O-ring gasket
- *f O-ring gasket
- *g hose gasket
- *h housing
- *i knurled nut

M12

1240 ... T...CR

Designation	Pole Number	PU (Pieces)	MDQ (Pieces)	Dimensions		
				A (mm)	D (mm)	SW (mm)
1240 03 T7CR	3	5	10	53	7 (3.0–6.5)	15
1240 04 T7CR	4	5	10	53	7 (3.0–6.5)	15
1240 04 T9CR	4	5	10	56	9 (4.0–8.0)	19
1240 05 T7CR	5	5	10	53	7 (3.0–6.5)	15
1240 05 T9CR	5	5	10	56	9 (4.0–8.0)	19

Packaging:
in a plastic bag