

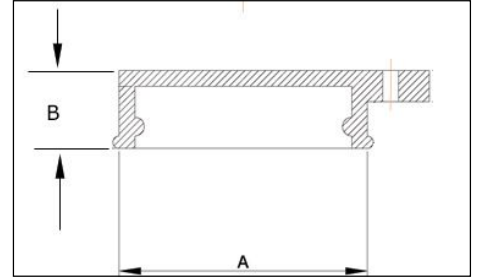
Data Sheet

Rubber Dust Caps

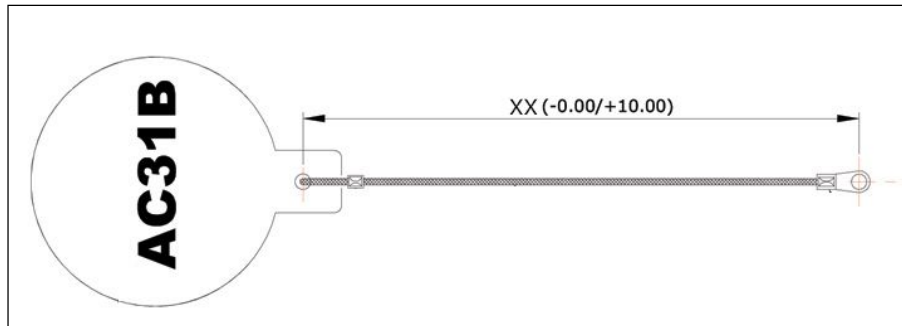
AC31B series dust caps are an alternative to the standard VG 95234 metal-body dust caps. The AC31B Series caps are made out of polychloroprene rubber, and are secured onto the body of the connector by a simple push. They are secured by a nylon cord and a metal lug.



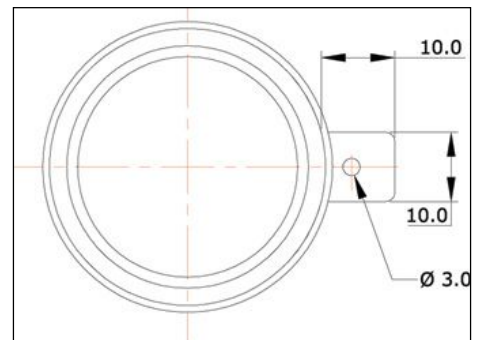
SIDE VIEW



TOP VIEW



BOTTOM VIEW



DIMENSIONAL DETAILS Standard length of cord supplied is 125mm long. (Replace 'xx' with length of cord required - POA)

VGL Part No.	Shell Size	Dim A (mm)	Dim B (mm)
AC31B-10-L125	10	23.0	18.0
AC31B-12-L125	12	26.0	18.0
AC31B-14-L125	14	29.0	18.0
AC31B-16-L125	16	32.0	18.0
AC31B-18-L125	18	36.0	18.0
AC31B-20-L125	20	40.0	18.0
AC31B-22-L125	22	42.0	18.0
AC31B-24-L125	24	46.0	18.0
AC31B-28-L125	28	52.0	18.0
AC31B-32-L125	32	58.0	18.0
AC31B-36-L125	36	65.0	18.0

MATERIAL DETAILS

ITEM	MATERIAL	FINISH
Cap	Polychloroprene Rubber	Black
Cord	Nylon	Black
Crimp clip (Loop to secure cap)	Copper Ferrule	Black/Brown
End Lug (M4 hole)	Copper Alloy	Black plated



VGL IMPEX PTY LTD ABN 28 007 143 259 T/A
ALLIED CONNECTORS
 192-196 Atlantic Drive Keysborough VIC 3173 AUSTRALIA

AUS WIDE 1300 793 466
 INTL +61 (3) 9701 8514
 FAX +61 (3) 9701 8565
 WEBSITE www.alliedconnectors.com
 EMAIL sales@alliedconnectors.com