

# LYCAN<sup>®</sup>

GAMING

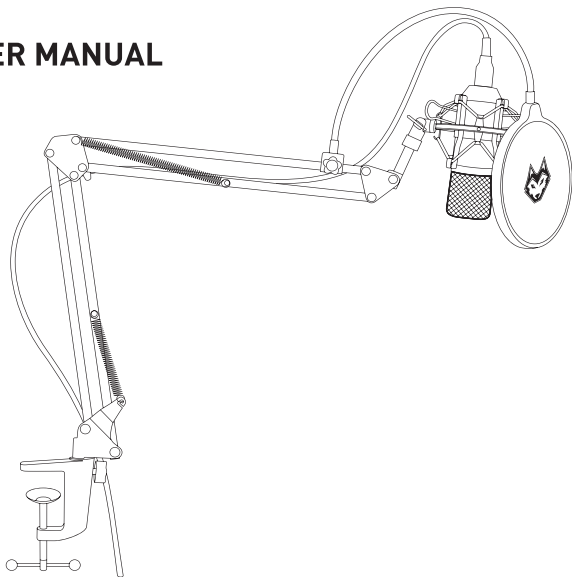
# TITAN

## BOOM ARM

WITH POP FILTER & SHOCK MOUNT

Model: LGMICARM2

### USER MANUAL



## FEATURES

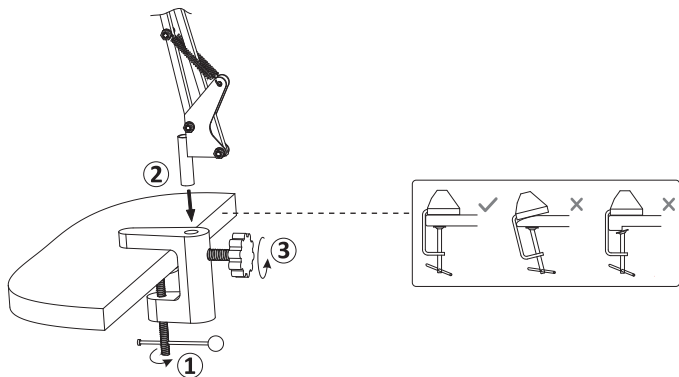
- Two-axis Metal Boom Arm
- Scissor Suspension
- Shock Mount
- Pop Filter with 360° Flexible Gooseneck
- Clamp Desk Mount
- Cable Management

## SPECIFICATIONS

- Maximum Load: 1.5kg
- Aluminium Construction

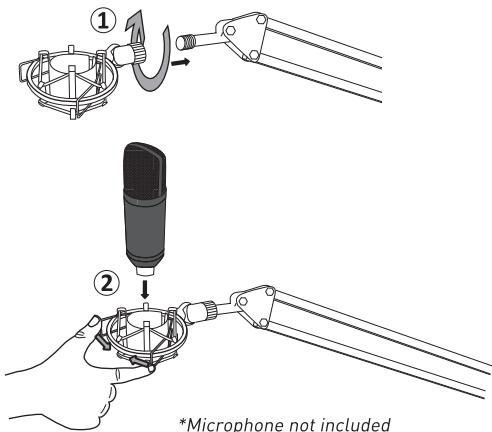
## MOUNTING VIA THE DESK CLAMP

- ① Unscrew the clamp so that the opening is large enough to fit over the edge of your table. Push the clamp all the way onto the table edge for maximum security.
- ② Insert the arm into the hole at the top of the clamp.
- ③ Fasten the clamp to the desk by turning the handle so that it is tight against the underside of the table. Ensure that the clamp sits flush on both the top and bottom surfaces of the table. Test that you have mounted the clamp securely by seeing if you can pull it off the edge of the table. *Note: Tables with round edges provide less security than those with square edges.*



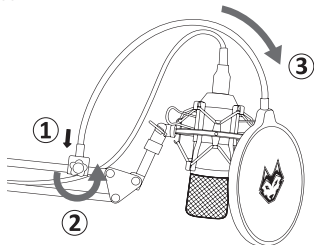
## ATTACHING THE SHOCK MOUNT

- ① Install the shock mount by screwing anti-clockwise onto the attachment thread of the boom arm.
- ② Squeeze together the tabs on the sides of shock mount and then insert the microphone. Release the tabs and microphone is now secure in shock mount.



## ATTACHING THE POP FILTER

- ① Attach the pop filter bracket to the top metal arm.
- ② Tighten the adjustment screw on the bracket until firm.
- ③ Bend pop filter into desired location. *Note: Must be between microphone and noise source.*



**BRED FOR GAMING**

[www.lycangamer.com](http://www.lycangamer.com)