

LYCAN[®]

GAMING

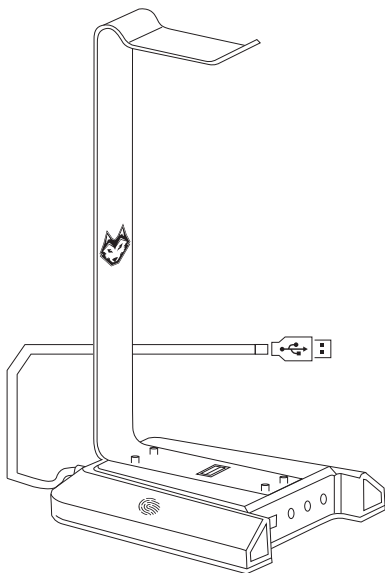
GAMMA

GAMING

7.1 HEADSET STAND

Model: LGHPSTUSBK

USER MANUAL



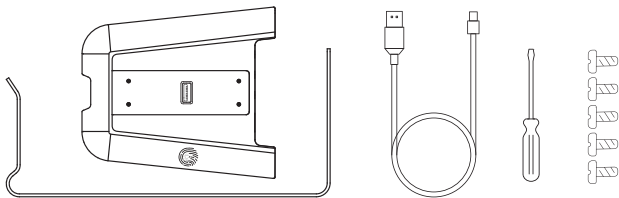
FEATURES

- Headset Stand
- 2 x USB-A 2.0 Ports
- 3 x Audio Ports
- 7.1 Surround Sound
- RGB Lighting
- Touch Control

SPECIFICATIONS

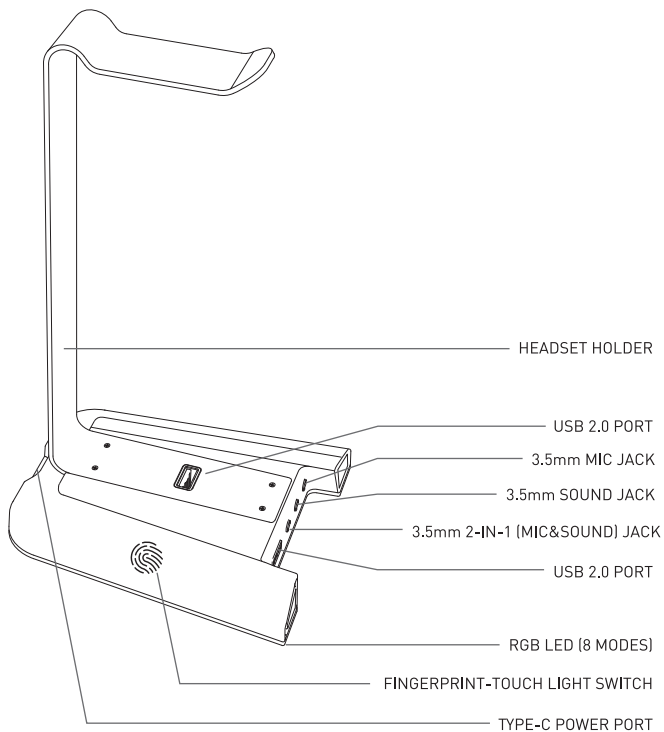
- 7 RGB Colours
- 8 Lighting Modes
- Detachable 1.8m USB Charging Cable
- Input: DC 5V/1A
- USB Output: 5W max
- Light Output: 1W max
- Compatible with Windows 2000, XP, Vista or Windows 7, Windows 8, Windows 10
- Compatible with Mac OS X v10.0 or later

HARDWARE KIT CONTENTS

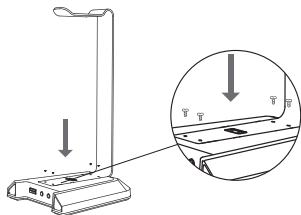
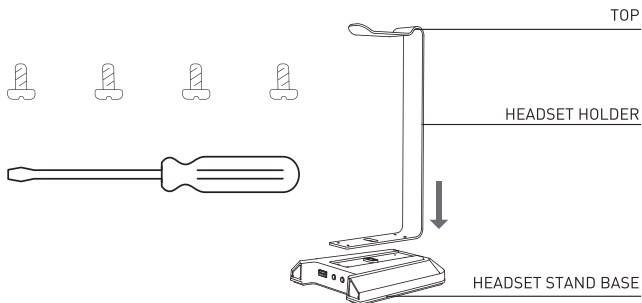


- 1 x RGB headset stand holder
- 1 x RGB headset stand base
- 1 x USB cable, 1.8m
- 1 x Screwdriver
- 5 x Screws (1 x Spare screw included)

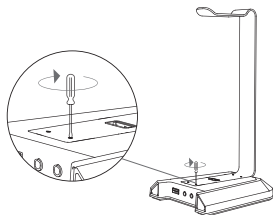
PRODUCT OVERVIEW



INSTALLATION



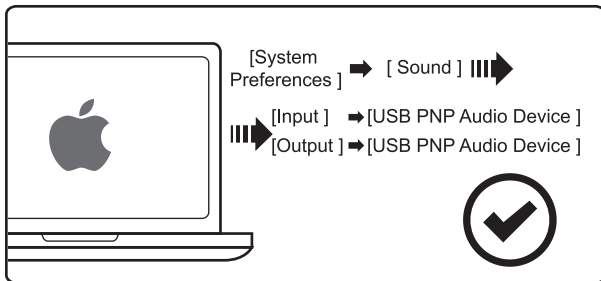
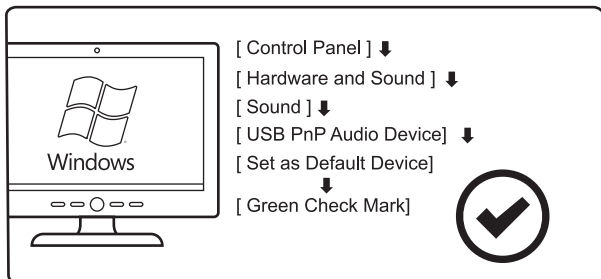
- ① Place the headset holder on top of the headset base.



- ② Attach each of the 4 screws into the holes with supplied screwdriver. Turn clockwise until secure. *Note: A spare screw has been supplied for replacement.*

CONNECTION

- ① Connect the included USB cable to the Type-C power port on the back of the RGB headset stand, and connect the opposite end to a USB port on your PC or laptop.
- ② Check USB Sound Setting: Settings–Sound–USB Audio Device [Set as default input & output].



To download 7.1 Surround Sound Driver for PC*, head to the Lycan Gaming® website:

www.lycangamer.com/gamma

*Only suitable for Windows 10

Windows is a registered trademark of Microsoft Corporation in the United States and/or other countries.

Mac is a trademark of Apple Inc., registered in the U.S. and other countries.



v1

BRED FOR GAMING

www.lycangamer.com