

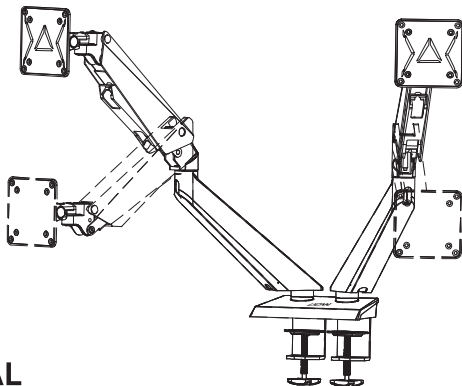
LYCAN[®]

GAMING

PEGASUS

RGB DUAL MONITOR MOUNT

Model: LGDMMLED



USER MANUAL

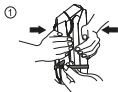


Stored energy hazard!

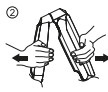
Make sure that you read and understand the following instructions before you start to assemble and use this product. Failure to do so could result in injury and/or property damage.



DO NOT remove the cable tie from around the spring arm if you are not holding the two halves of the spring arm together.



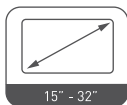
Firmly hold the two halves of the spring arm together and have another person remove the cable tie from around the spring arm.



Slowly release the pressure on the spring arm and allow it to gradually stretch to its full extension.

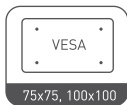
FEATURES

- Holds Two Screens up to 32"
- Suitable for Flat and Curved Screens
- Gas Spring Mounts
- RGB LED Lighting
- Cable Management
- Secure Desk Mount










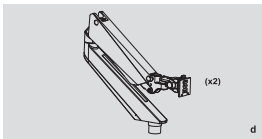
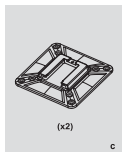
SPECIFICATIONS

- Suits Monitor Size: 15-32"
- Tilt: -90° to +85°
- Swivel: 180°
- Rotation: 360°
- VESA Pattern: 75x75, 100x100
- Maximum Distance Between Screens: 1,120mm
- Maximum Load: 8kg per Arm
- Rating: DC 5V/1A



HARDWARE KIT CONTENTS

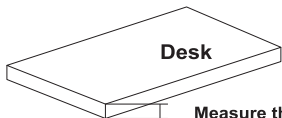
A	 M4x12 (x8)	 M4x30 (x8)	 12x5.8x16 (x8)
B	 S=3mm (x1)		
C	 M4x10 (x2)		
D	 (x1)	 S=5mm (x1)	



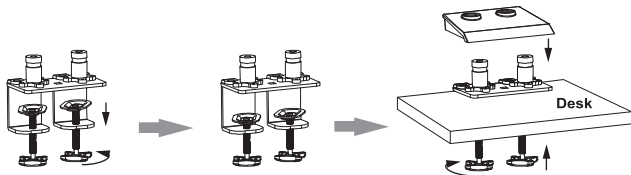
TOOLS REQUIRED FOR INSTALLATION

- Phillips head screwdriver
- Allen Key: 3mm, 5mm (included)

1 DESK MOUNTING

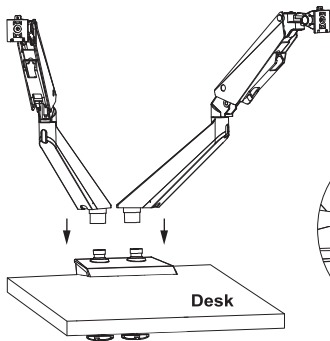


Measure the thickness of the table
If 1.5-6 cm, install directly.



Loosen clamp screw until enough space is left for the edge of the desk.
Tighten clamp using clamp screw until mount is securely fastened to desk.

2



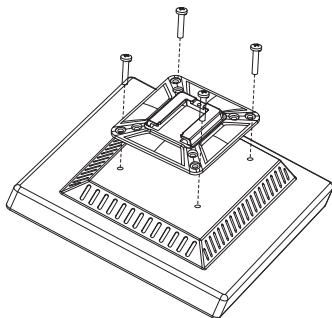
S=3mm
B

S=3mm

Install the arm to the base. Fasten the screw in the back with 3mm Allen Key.

3

For Flat Screen Monitors



M4x12

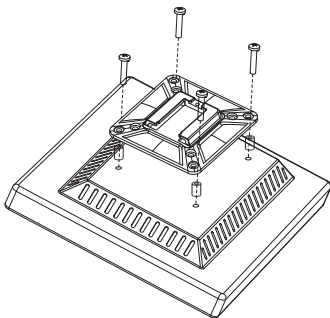
A



Flush surface installation: Install 4 screws (M4x12) through faceplate to monitor via mounting the holes.

OR
3

For Curved Monitors



M4x30

A

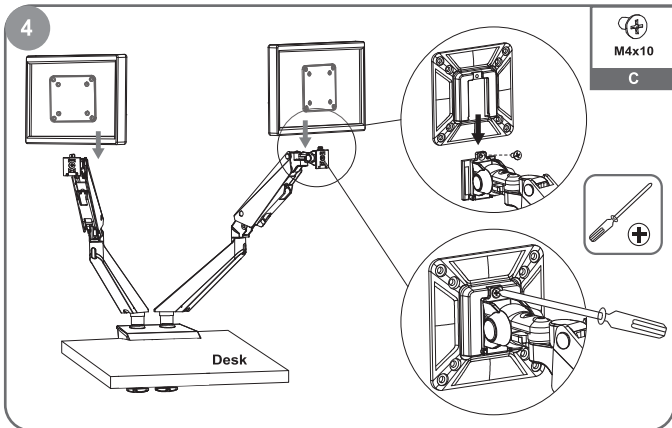


12X5.8X16

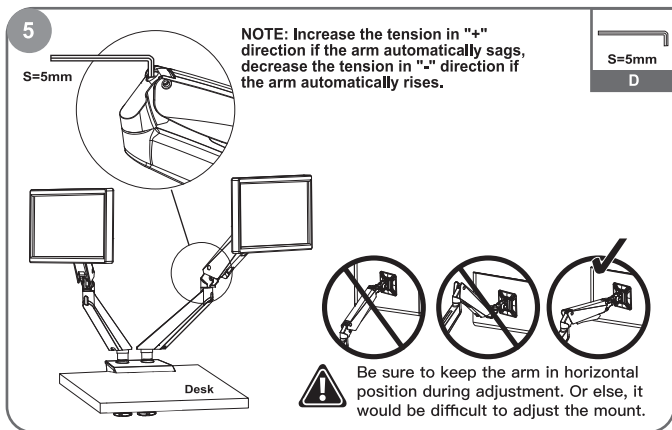
A



Recessed surface installation: Put 4 spacers (12x5.8x16) between faceplate and monitor. Use screwdriver to install 4 screws (M4x30) through faceplate and spacers to monitor via the mounting holes.

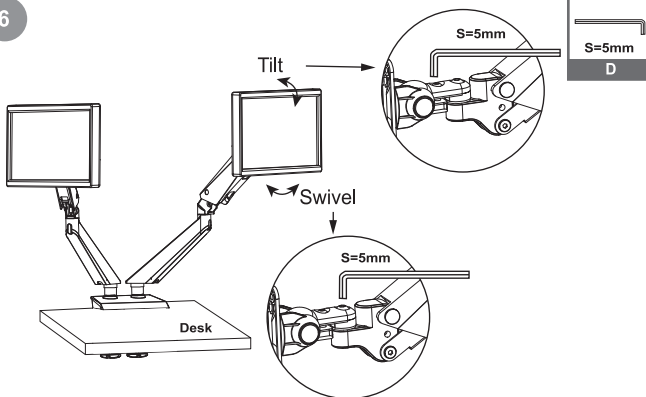


Insert the monitor along with the VESA plate to the arm with screw (M4x10) using screwdriver and lock it.



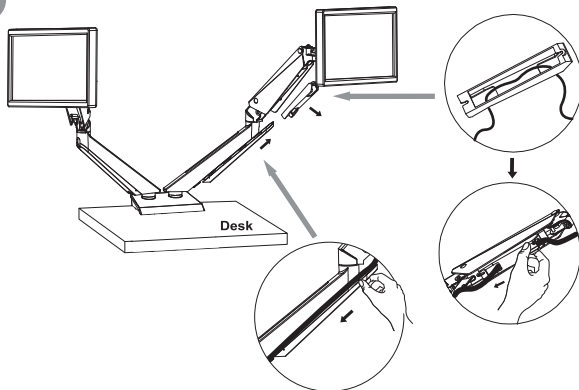
Use 5mm Allen Key to adjust the height tension of the gas spring arm, to keep different weight of monitors still at any position.

6

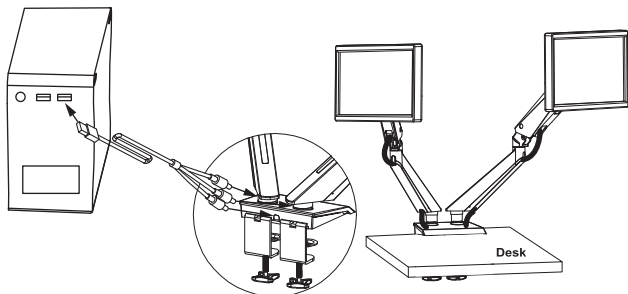


Use 5mm Allen Key to adjust the arms for swiveling and tilt movements. Turn counter-clockwise to reduce movement and clockwise to increase movement.

7



Remove the cable cover from extension arm. Feed the cables along the arms and replace the cable cover.



Connect USB plug of supplied cable to USB port on your desktop computer or laptop. LED lighting on monitor mount will illuminate once connected.

WARNING

- Prior to the installation of this product, this instruction manual must be read and completely understood. Failure to do so may result in personal injury or property damage.
- The desk clamp can support a maximum thickness of 6cm. Confirm the desk edge thickness before installation.
- Pay attention to the weight capacity of the mount. Exceeding the limitation can result in function unworkable or even serious personal injury and property damage.
- Desktop structure must be capable of supporting at least a maximum weight of 20kg. If not, the desktop must be reinforced. Proper installation procedure as outlined in this manual must be adhered to.
- Do not install on a structure that is prone to vibration, movement or chance of impact. Reinforce the structure as required before installation. Do not use the product on particle board.
- Do not install near heater, fireplace, direct sunlight, air conditioning or any other source of direct heat energy. Failure to do so may result in damage to the product and could increase the risk of fire.
- Use appropriate tools and safety equipment and ensure adequate ventilation during installation.
- Never operate the mount if parts are missing or damaged.
- If uncertain about any aspect of installation, contact Lycan Gaming® or an installation professional.
- Please retain these instructions for future reference.



v2

BRED FOR GAMING

www.lycangamer.com