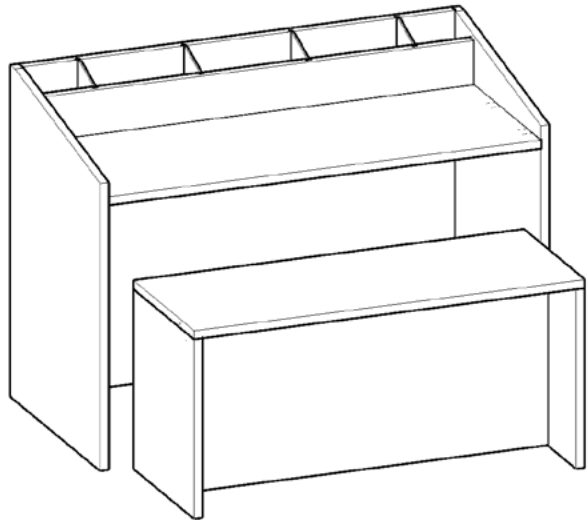




ASSEMBLY INSTRUCTIONS

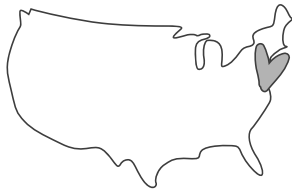
indi art desk

a how-to guide that won't leave you in tears



parenting is hard.
this is easy.

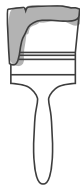
no really, it is.



MADE HERE™



MADE WELL™



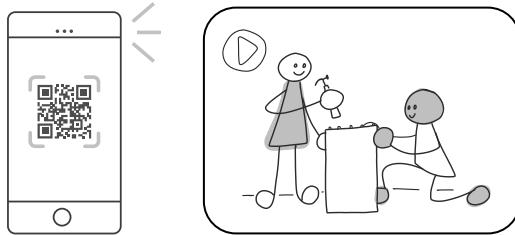
MADE SAFE



MADE SMART

want to watch this assembly IRL?

(acronym challenged? that means “in real life”.)



open the camera on your phone and place it over the QR code below to see our NYC studio dream team do all the heavy lifting (just kidding, there is none!)



or go to ducdcnyc.com/pages/assembly-instructions

**thank you for selecting a
studio duc product!**

Please check contents against the components list in these instructions. Also, please ensure there was no damage that may have occurred in shipping.

If any components are missing or you find any damage, please contact ducduc before continuing.

Read all the instructions before use.

MAINTENANCE:

Please remember to securely tighten all connectors, and periodically check to make sure every component is properly and securely in place.

a minimum of two people is required to safely assemble and move the art desk + seat. do not attempt to move this desk or seat alone — dragging or sliding it across a floor may cause structural damage.

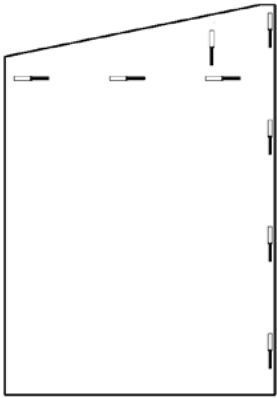
CLEANING:

Do not scratch or chip the finish. Do not use abrasive chemicals for cleaning. Clean surfaces with mild soap on a soft rag. Rinse and dry thoroughly. If you ever refinish this furniture, be sure to use only a non-toxic finish specified for children's furniture.

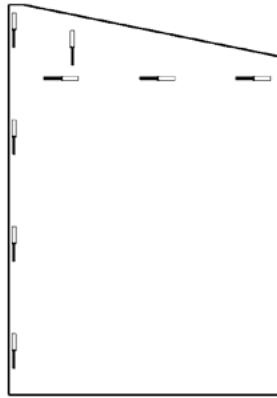
KEEP INSTRUCTIONS FOR FUTURE USE

WHAT'S IN THE BOX:

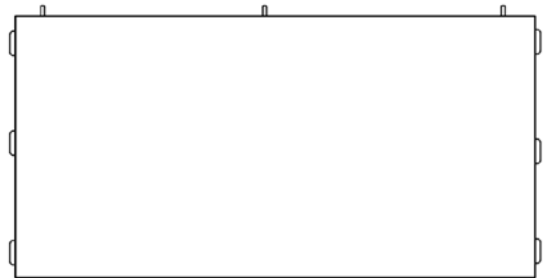
DESK PARTS:



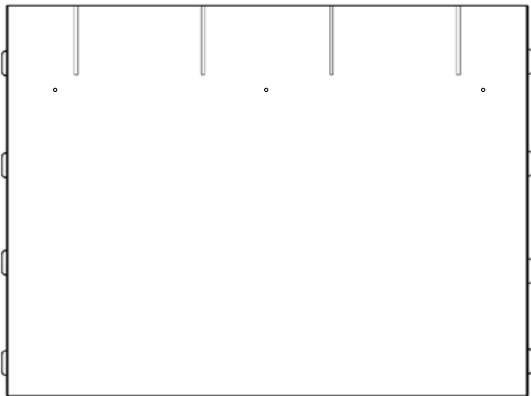
A1
L side



A2
R side



B
top



C
back



D
stretcher

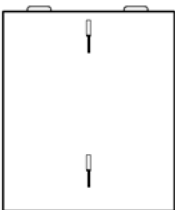


E (x4)
divider



F
hammer cap

SEAT PARTS:



G (x2)
seat leg



H
seat stretcher



I
seat top

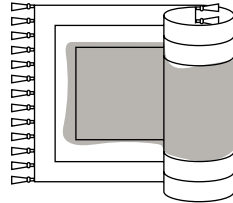
WHAT YOU'LL NEED:



**household hammer or
rubber mallet**



20 minutes
(or less)



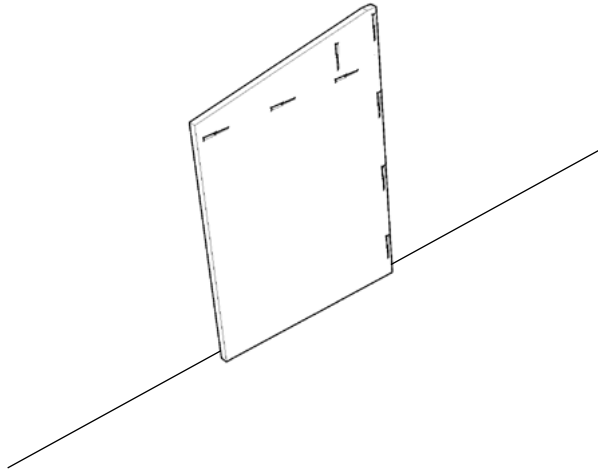
a soft surface to assemble on
*(like a rug or some of the corrugate
box your piece arrived in)*



2 people
plus a dog for moral support
(unless you're a cat person)

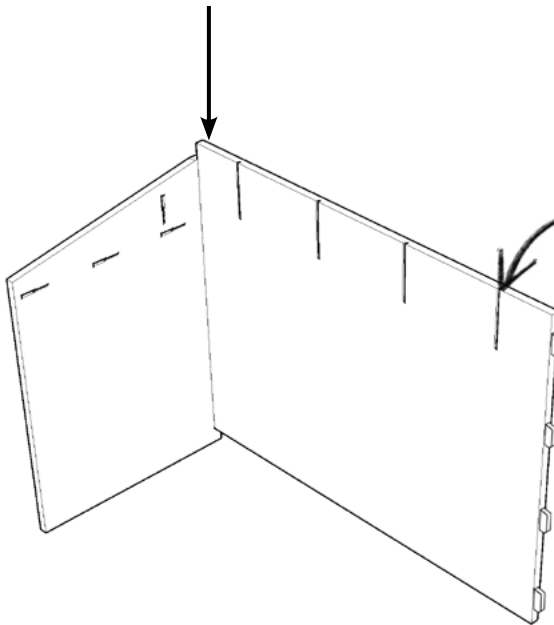
1

lean L side (A1) against a wall as shown.



2

insert connectors on back (C) into slots on L side (A1). push down at the connection to lock into place.



important!
be sure the routed lines on the back panel are facing inward as shown here.

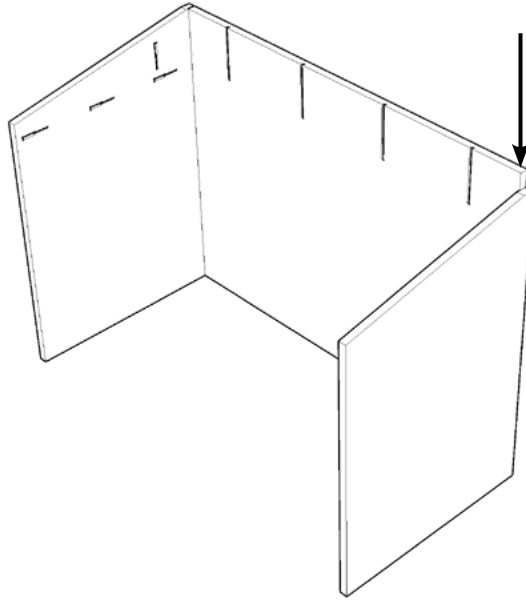


still confused? scan this code to watch the assembly video!



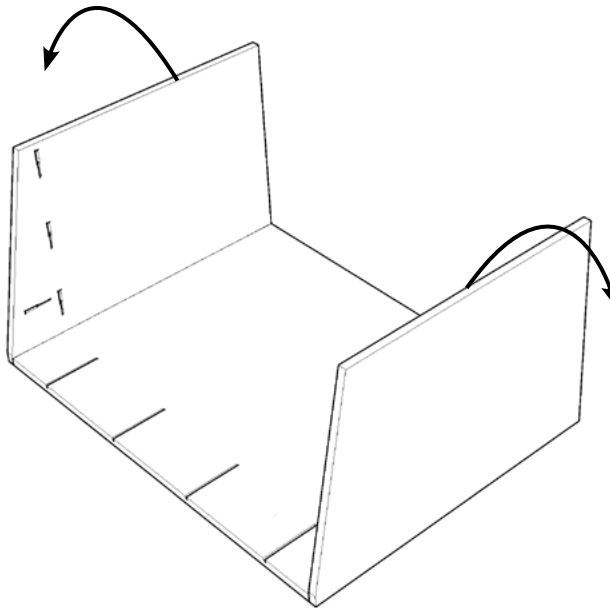
3

insert connectors on back (C) into slots on R side (A2). push down at the connection to lock into place.



4a

lay the partially assembled case on its back and have a friend gently flare the sides (A1 + A2) outward as shown.

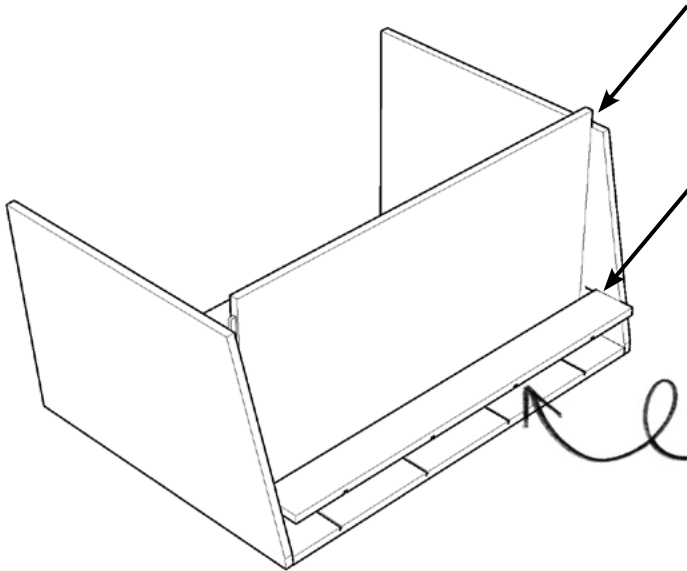
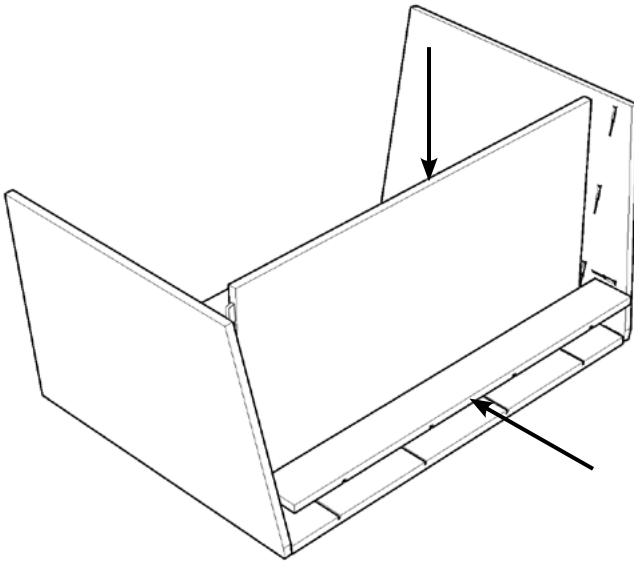


still confused? scan this code to watch the assembly video!



4b

with the sides flared outward, insert connectors of top (B) and stretcher (D) into slots on L side (A1).



important!
be sure the routed lines on the stretcher are facing toward the routed lines on the back as shown here.

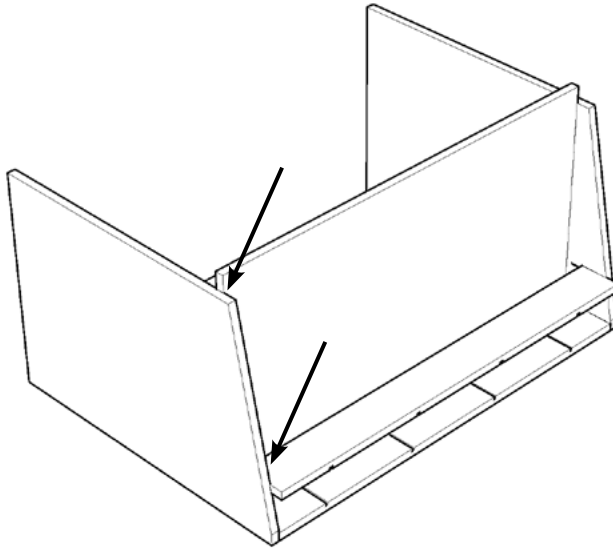


still confused? scan this code to watch the assembly video! →



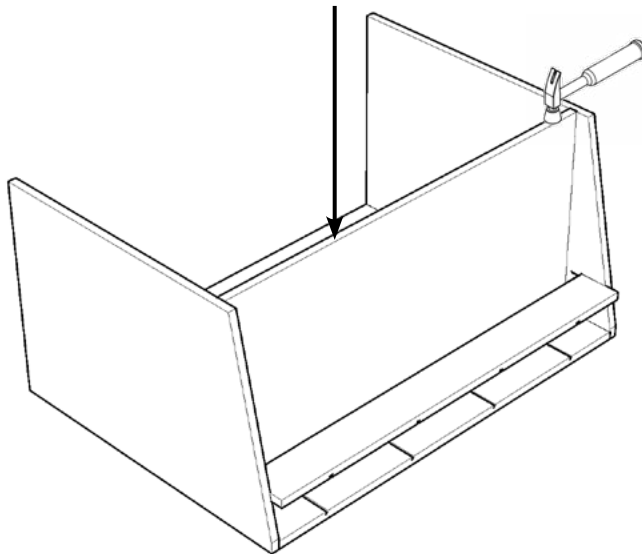
4c

insert remaining connectors on top (B) and stretcher (D) into slots on R side (A2).



4d

once all connectors and slots are lined up and sides are back to square position, apply hammer cap (F) to the head of a household hammer and tap top (B) until there is no gap at the connection to back panel (C).

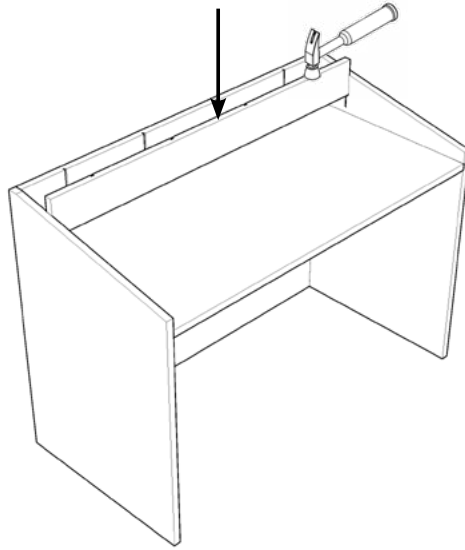


still confused? scan this code to watch the assembly video!



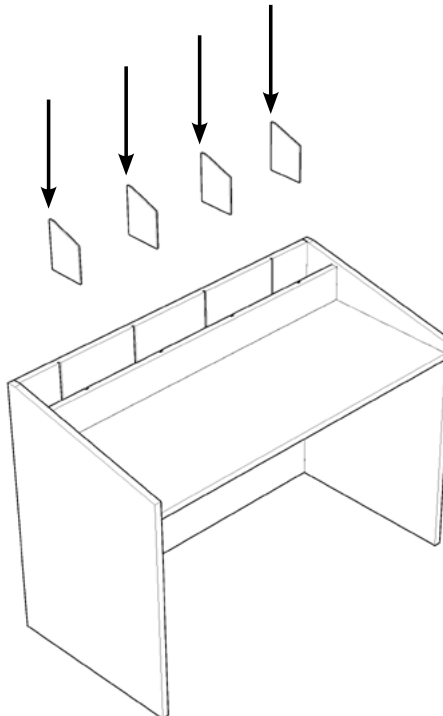
5

rotate playtable into upright position. use hammer with hammer cap (F) to tap stretcher (D) until there is no gap at the connection to top (B).



6

insert dividers (E) into routes on back (C) and stretcher (D) at desired locations.



duc insider tip!

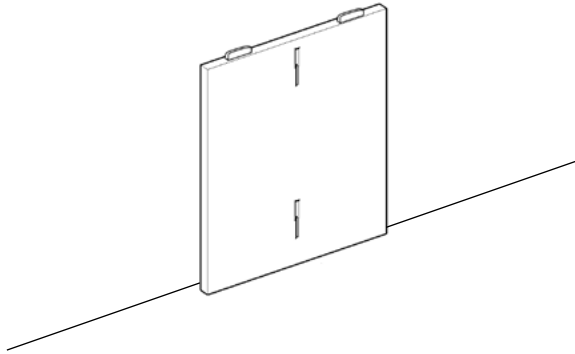
use all 4 dividers or only a few depending on what type of items you want to store... books, markers, and other supplies, meet your new home!

still confused? scan this code to watch the assembly video! →



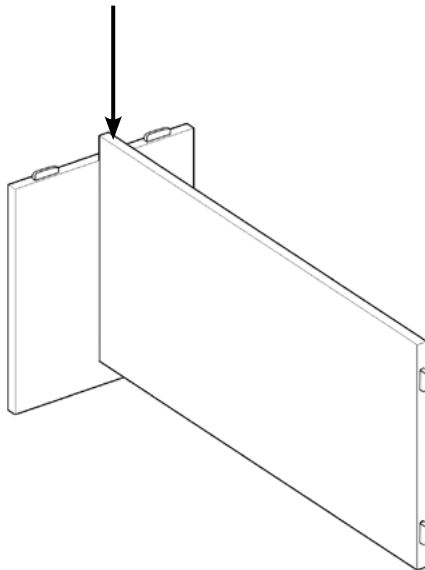
7

lean one seat leg (G) against a wall as shown.



8

insert connectors on seat stretcher (H) into slots on seat leg (G). push down at the connection to lock into place.

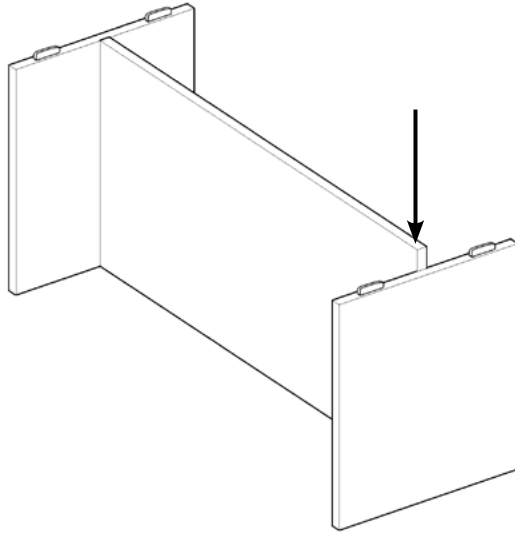


still confused? scan this code to watch the assembly video!



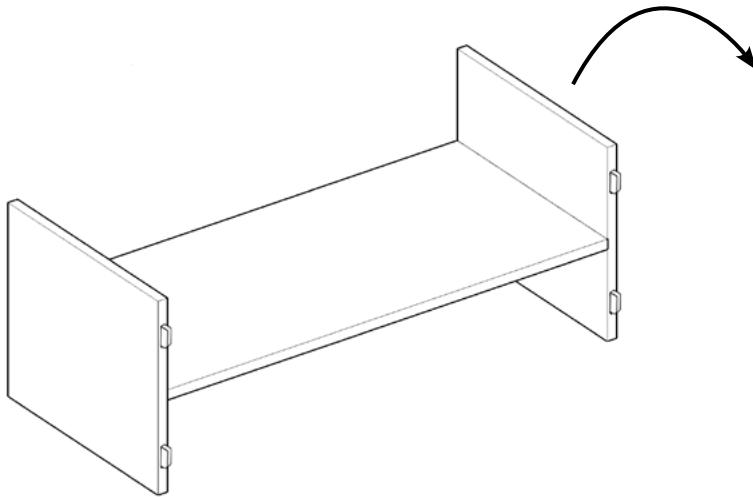
9

insert connectors on seat stretcher (H) into slots on remaining seat leg (G). push down at the connection to lock into place.



10

rotate the partially assembled seat 90° as shown.

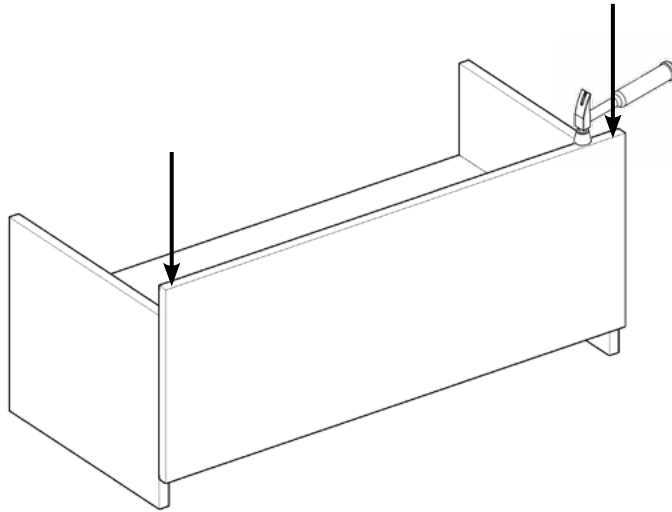


still confused? scan this code to watch the assembly video!



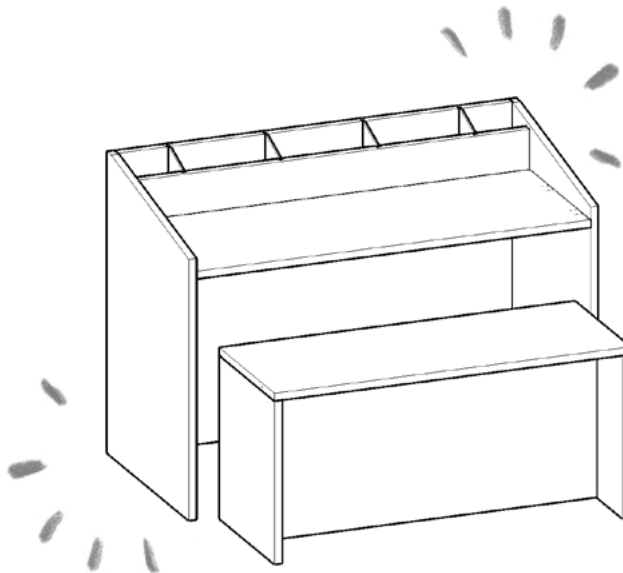
11

insert connectors on both seat legs (G) into the slots on underside of seat top (I). tap with hammer and hammer cap (F) to lock into place.



hooray! you did it!

give yourself a pat on the back, take a bow,
or go house a pint of ice cream...we don't judge.



still confused? scan this code to watch the assembly video!



prefer to talk to a human instead? we're here for you!

contact our customer advocate team below:



212.226.1868



quack@ducducnyc.com



live chat at
ducducnyc.com



200 lexington, no. 701
ny, ny 10016