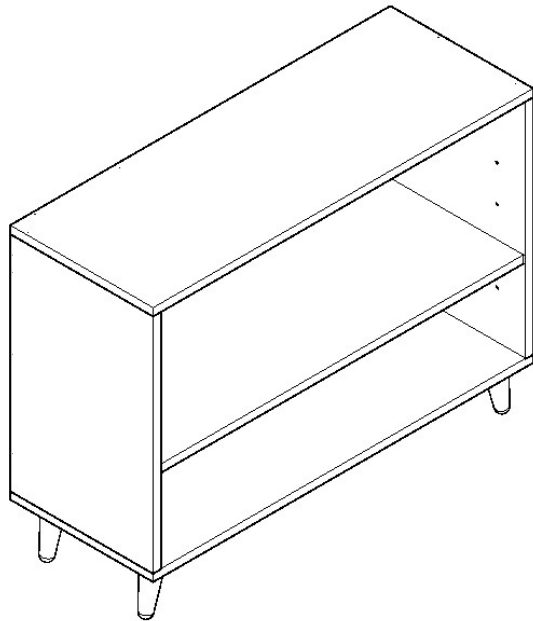




ASSEMBLY INSTRUCTIONS

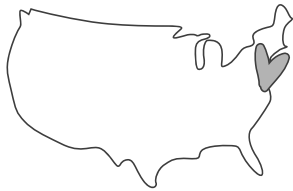
knox bookcase

a how-to guide that won't leave you in tears



parenting is hard.
this is easy.

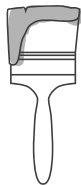
no really, it is.



MADE HERE™



MADE WELL™



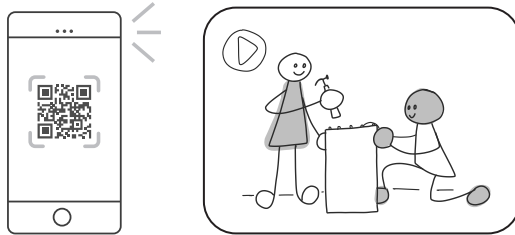
MADE SAFE



MADE SMART

want to watch this assembly IRL?

(acronym challenged? that means “in real life”.)



open the camera on your phone and place it over the QR code below to see our NYC studio dream team do all the heavy lifting (just kidding, there is none!)



or go to ducdcnyc.com/pages/assembly-instructions

**thank you for selecting a
studio duc product!**

please check contents against the components list in these instructions. also, please ensure there was no damage that may have occurred in shipping.

if any components are missing or you find any damage, please contact ducduc before continuing.

read all the instructions before use.

pay close attention to the safety warnings in these instructions.

a minimum of two people is required to safely assemble and move the bookcase. do not attempt to move this bookcase alone — dragging or sliding it across a floor may cause structural damage.

MAINTENANCE:

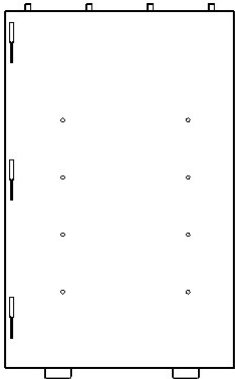
please remember to securely tighten all bolts and fasteners, and periodically check to make sure every component is properly and securely in place and all bolts and fasteners are tight.

CLEANING:

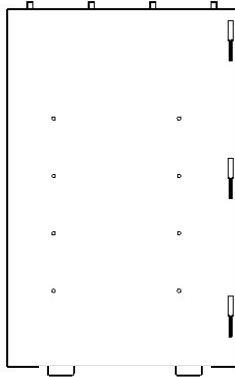
do not scratch or chip the finish. do not use abrasive chemicals for cleaning. clean with mild soap on a soft rag. rinse and dry thoroughly. if you ever refinish this furniture, be sure to use only a non-toxic finish specified for children's furniture.

KEEP INSTRUCTIONS FOR FUTURE USE

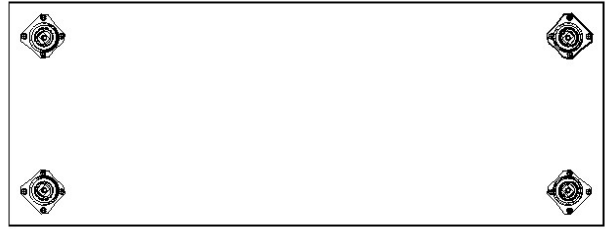
WHAT'S IN THE BOX:



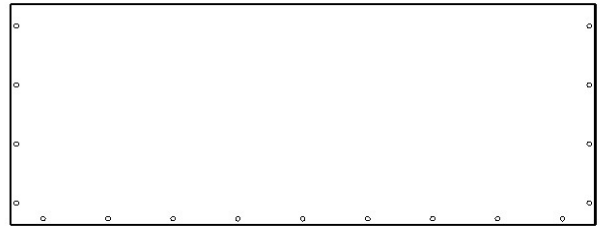
A1
R side



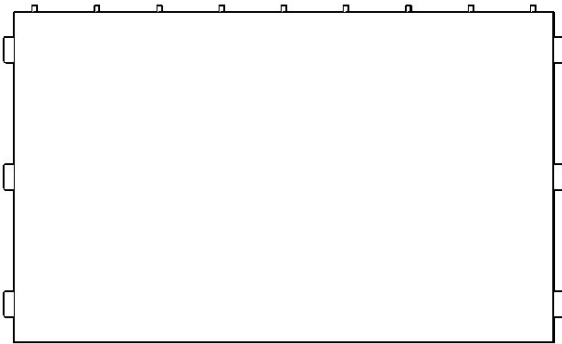
A2
L side



B
bottom



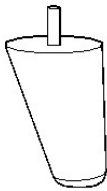
C
top



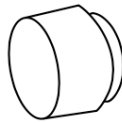
D
back



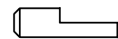
E
adjustable shelf



F (x4)
foot



G
hammer cap

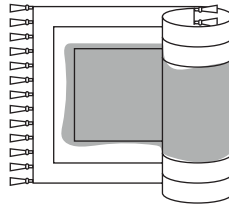


H (x4)
shelf pin

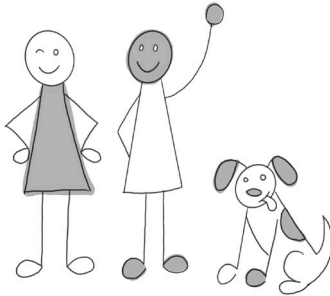
WHAT YOU'LL NEED:



**household hammer or
rubber mallet**



a soft surface to assemble on
*(like a rug or some of the corrugate
box your piece arrived in)*



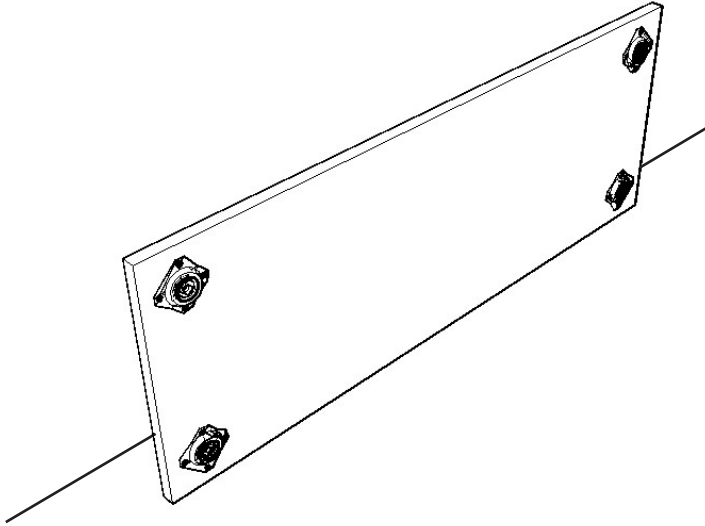
2 people
plus a dog for moral support
(unless you're a cat person)



15 minutes
(or less)

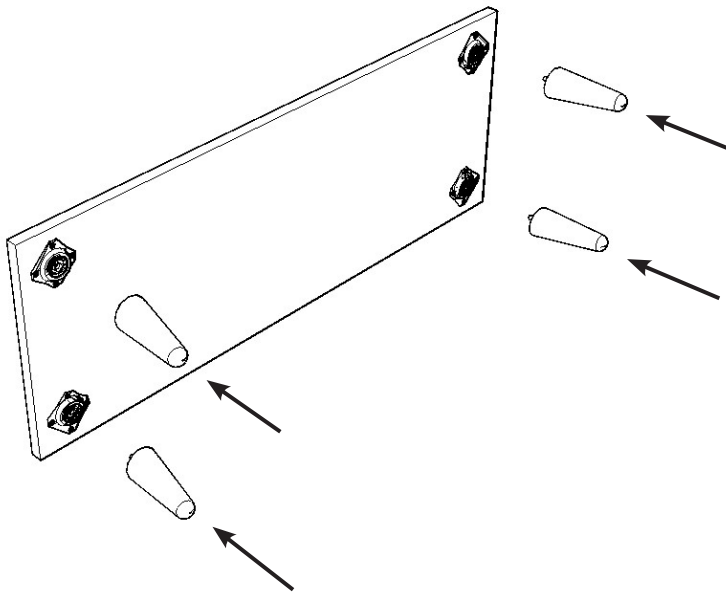
1

lean bottom (B) against a wall as shown.



2

beginning in one corner, take a foot (F) as seen below, and insert the bolt located on foot (F) into the brackets on bottom panel (B). Twist until the foot is fully secure, and repeat for all feet (F) provided.



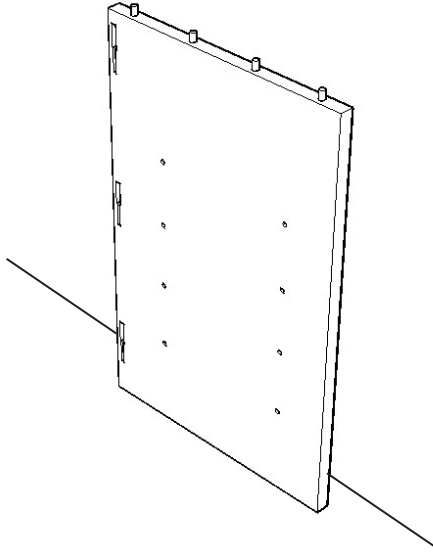
still confused? click to watch the assembly video



[ASSEMBLY VIDEO CHANNEL >](#)

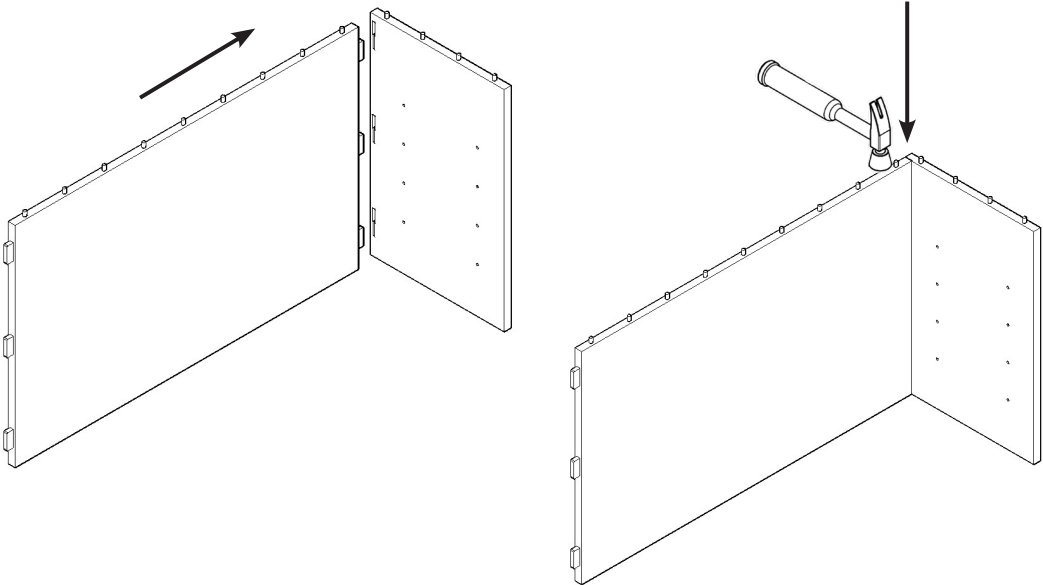
3

lean R side (A1) against a wall as shown.



4

insert connectors on back (D) into slots on R side (A1). push down at the connection to lock into place. if needed, tap with hammer and hammer cap (G) to lock into place



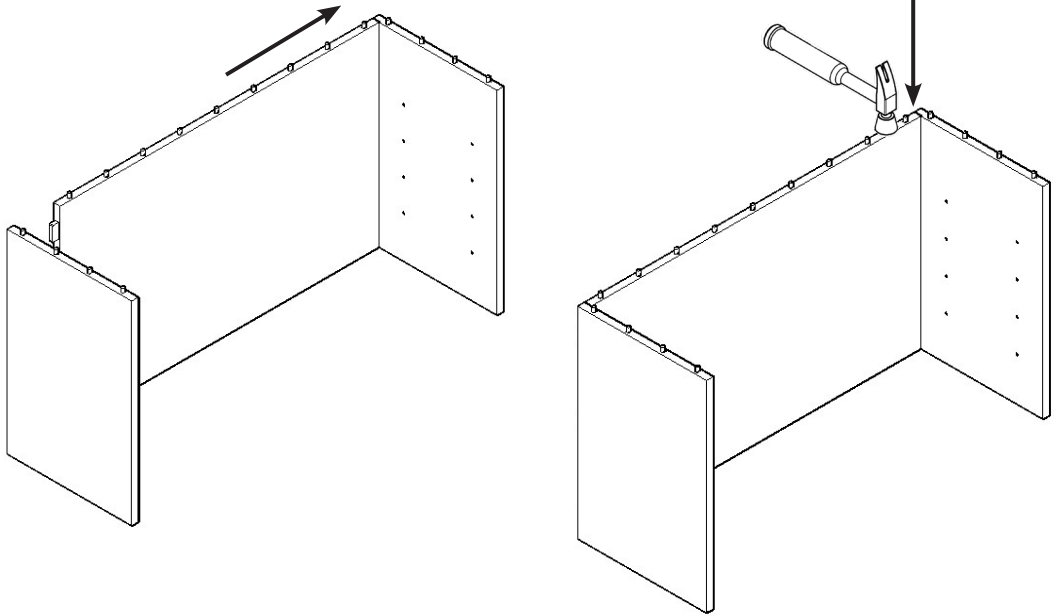
still confused? click to watch the assembly video



ASSEMBLY VIDEO CHANNEL >

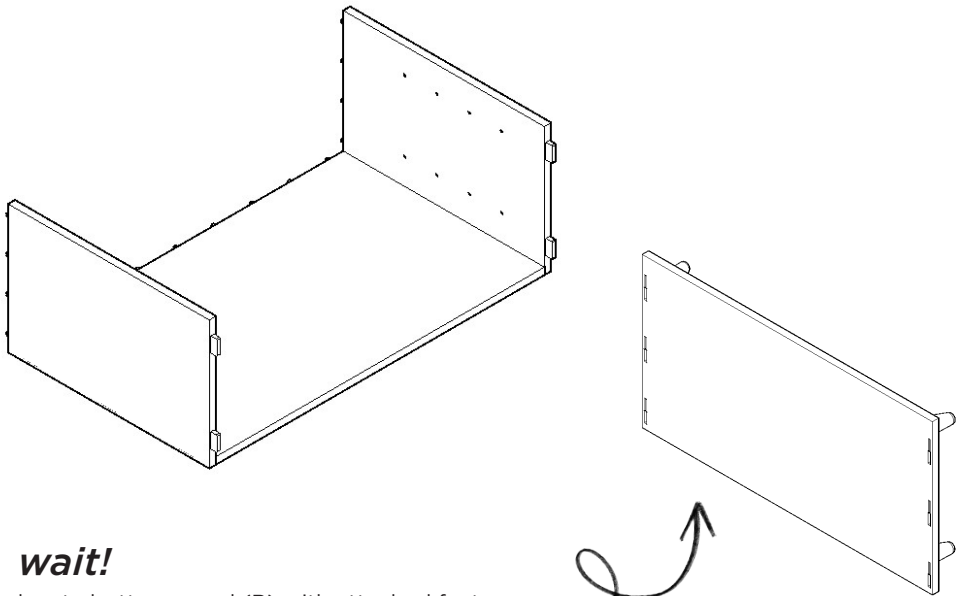
5

insert connectors on back (D) into slots on L side (A2). push down at the connection to lock into place.



6

gently lay the partially assembled case on its back.



wait!

locate bottom panel (B) with attached feet (F) before moving on to the next step.

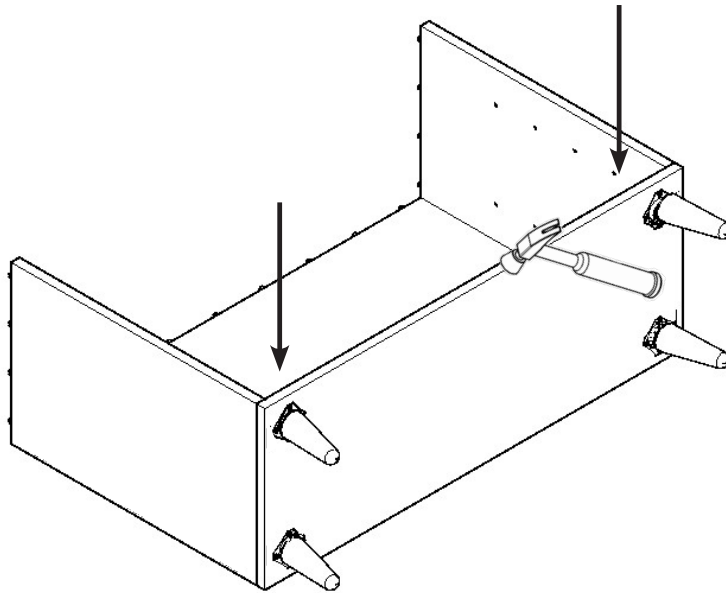
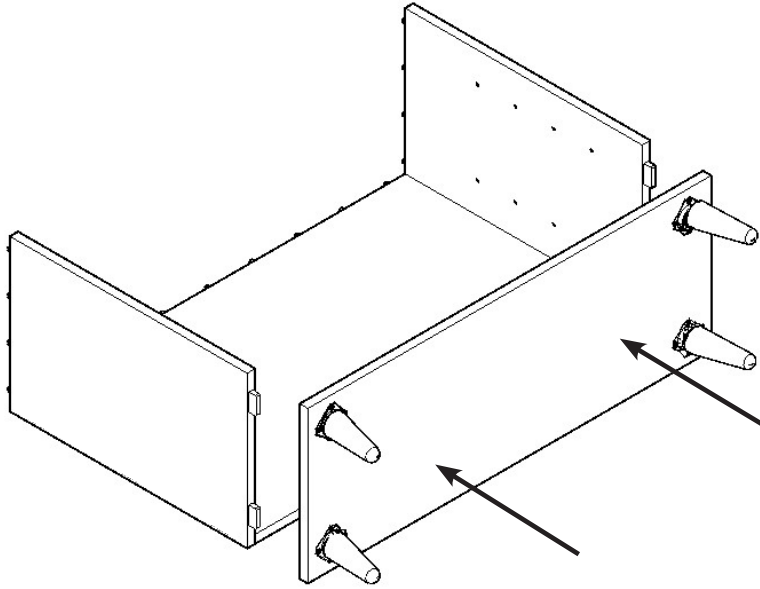
still confused? click to watch the assembly video



ASSEMBLY VIDEO CHANNEL >

7

insert connectors on both side panels (A1 + A2) into slots on bottom panel (B). push down or tap with hammer and hammer cap (G) to lock into place.



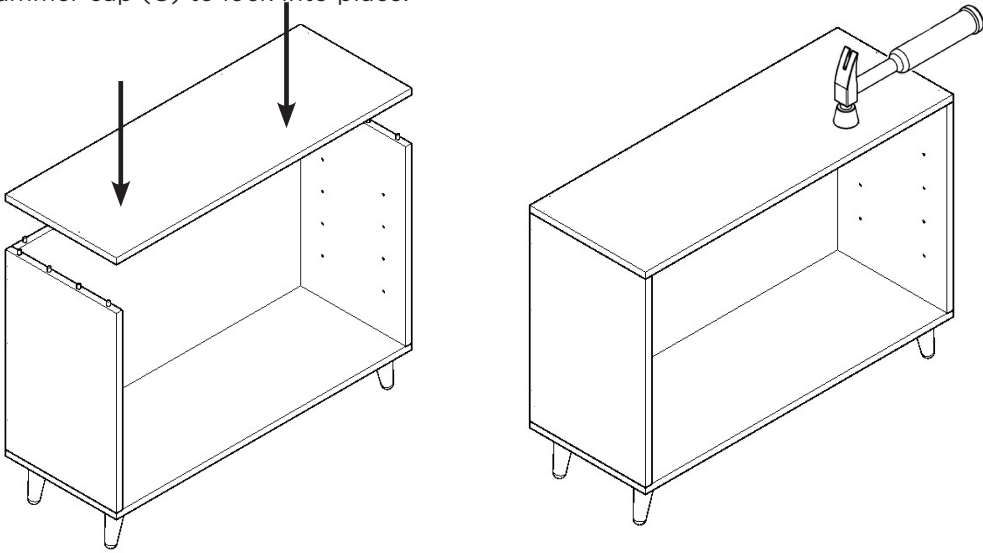
still confused? click to watch the assembly video



ASSEMBLY VIDEO CHANNEL >

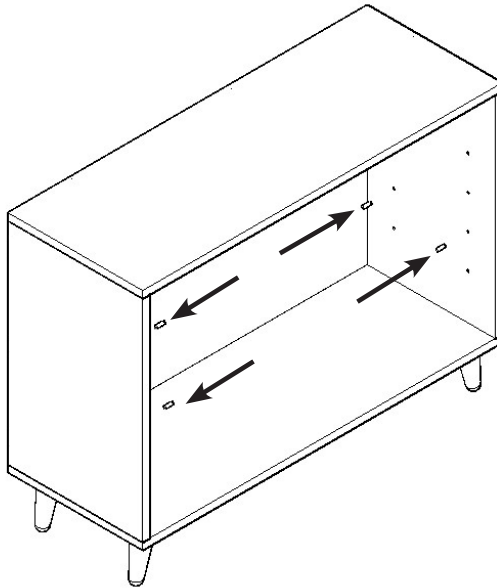
8

with a friend, flip partially assembled case into upright position. line up holes of top (C) with the connectors of side panels (A1 + A2) and back panel (D). tap with hammer and hammer cap (G) to lock into place.



9

insert 4 shelf pins (H) into holes on both sides (A1 + A2) at desired shelf height.

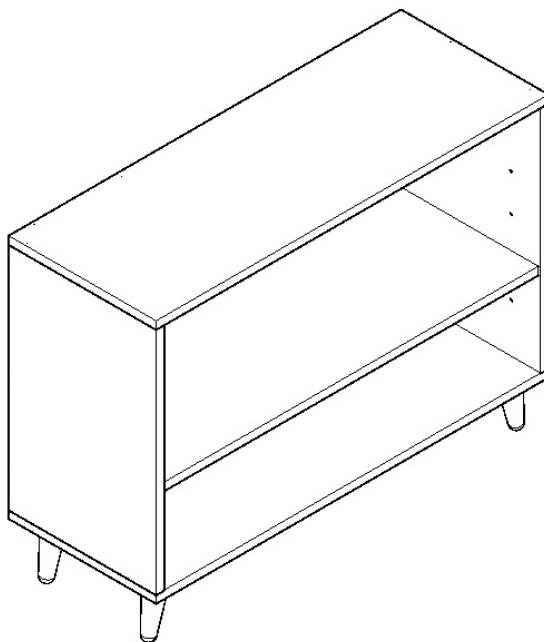
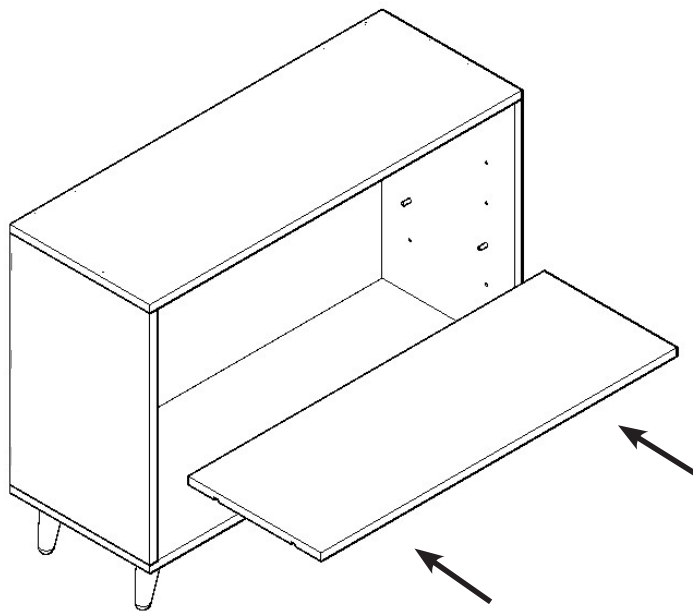


still confused? click to watch the assembly video [—————>](#)

ASSEMBLY VIDEO CHANNEL >

10

place adjustable shelf (E) on top of 4 shelf pins (H) so it sits secure and level.



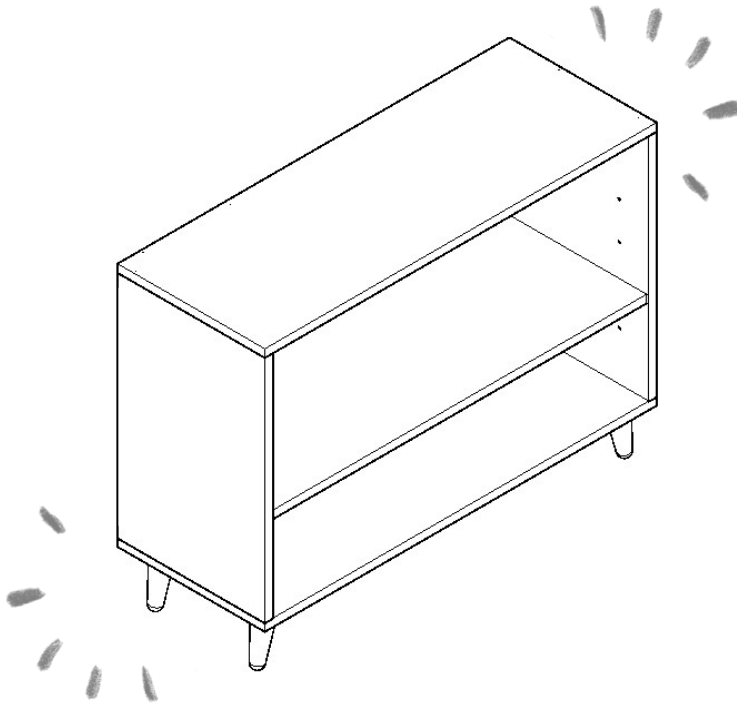
still confused? click to watch the assembly video



ASSEMBLY VIDEO CHANNEL >

woooo! you did it!

give yourself a pat on the back, take a bow,
or go house a pint of ice cream...we don't judge.



prefer to talk to a human instead? we're here for you!

contact our customer advocate team below:



212.226.1868



quack@ducducnyc.com



live chat at
ducducnyc.com



200 lexington avenue
ny, ny 10016