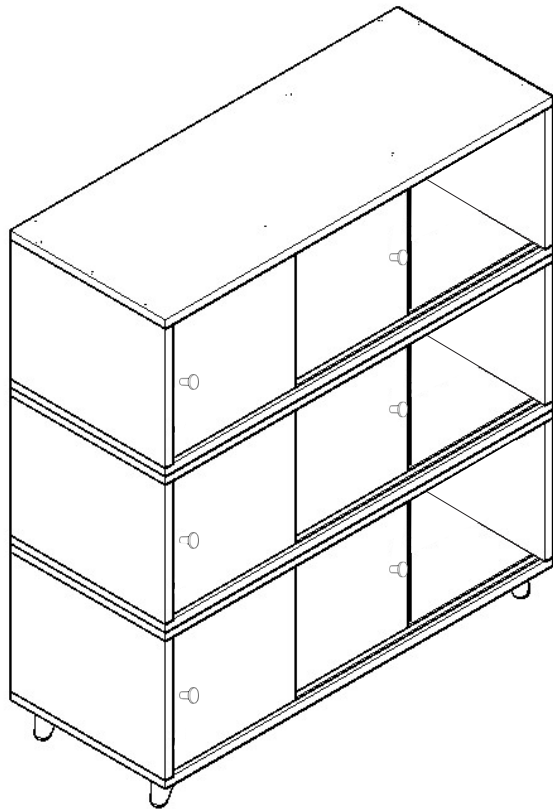




## ASSEMBLY INSTRUCTIONS

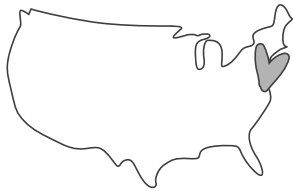
# knox stacking toy storage

a how-to guide that won't leave you in tears

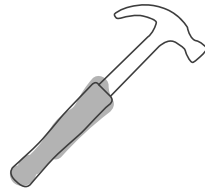


parenting is hard.  
**this is easy.**

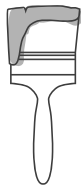
*no really, it is.*



**MADE HERE™**



**MADE WELL™**



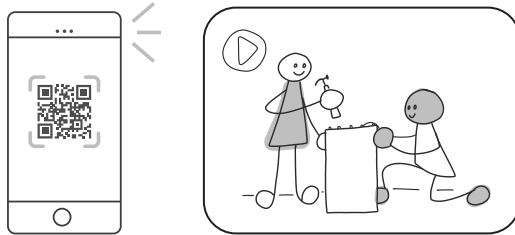
**MADE SAFE**



**MADE SMART**

# want to watch this assembly IRL?

(acronym challenged? that means “in real life”.)



open the camera on your phone and place it over the QR code below to see our NYC studio dream team do all the heavy lifting (just kidding, there is none!)



if you're already using your phone, just click the orange button below!

[ASSEMBLY VIDEO CHANNEL >](#)

or go to [ducducnyc.com/pages/assembly-instructions](https://ducducnyc.com/pages/assembly-instructions)

**thank you for selecting a  
studio duc product!**

please check contents against the components list in these instructions. also, please ensure there was no damage that may have occurred in shipping.

if any components are missing or you find any damage, please contact ducduc before continuing.

read all the instructions before use.

pay close attention to the safety warnings in these instructions.

a minimum of two people are required to safely assemble and move the product. do not attempt to move this product alone — dragging or sliding it across a floor may cause structural damage.

#### **MAINTENANCE:**

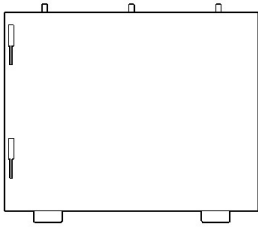
please remember to securely tighten all bolts and fasteners, and periodically check to make sure every component is properly and securely in place and all bolts and fasteners are tight.

#### **CLEANING:**

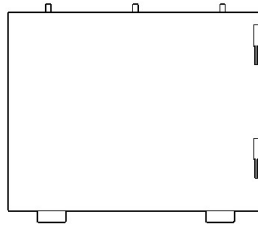
do not scratch or chip the finish. do not use abrasive chemicals for cleaning. clean with mild soap on a soft rag. rinse and dry thoroughly. if you ever refinish this furniture, be sure to use only a non-toxic finish specified for children's furniture.

#### **KEEP INSTRUCTIONS FOR FUTURE USE**

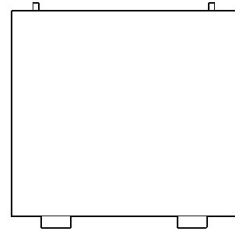
# WHAT'S IN THE BOX:



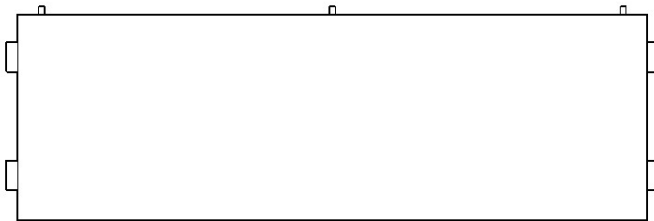
**A1**  
R side panel



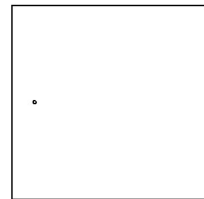
**A2**  
L side panel



**E (x2)**  
center partition



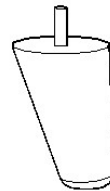
**B**  
back panel



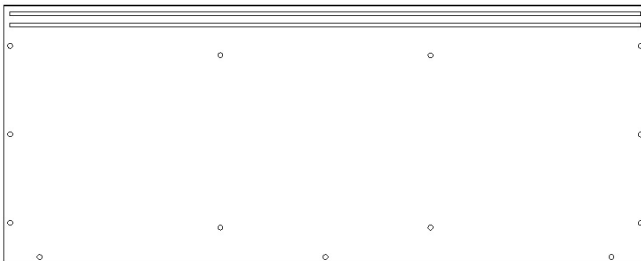
**F (x2)**  
door



**C**  
bottom

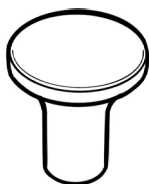


**G (x4)**  
foot



**D**  
top

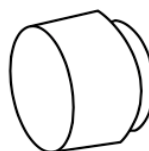
# WHAT'S IN THE BOX:



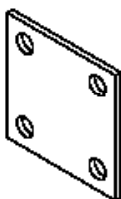
**H (x2)**  
knob pull hardware



**I (x2)**  
screw for knob pull



**J**  
hammer cap



**K (x2)**  
tray bracket



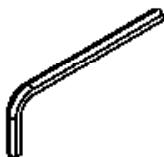
**L (x8)**  
JCB bolt  
(20mm)



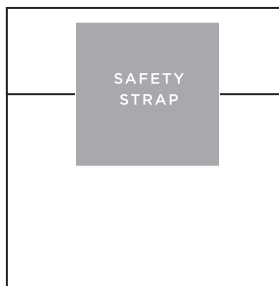
**M (x8)**  
5/16 Flat  
Washer



**N (x8)**  
5/16 Split  
Lock Washer

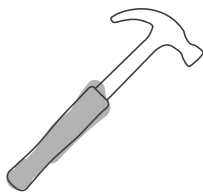


**O**  
allen key  
(4mm)

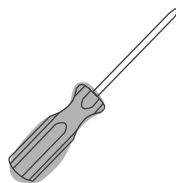


**P**  
safety strap kit  
(with hardware)

## WHAT YOU'LL NEED:



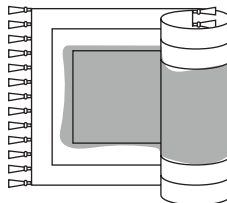
**household hammer or  
rubber mallet**



**phillips head screwdriver  
and/or drill with 6mm bit**



**20 minutes**  
*(or less)*



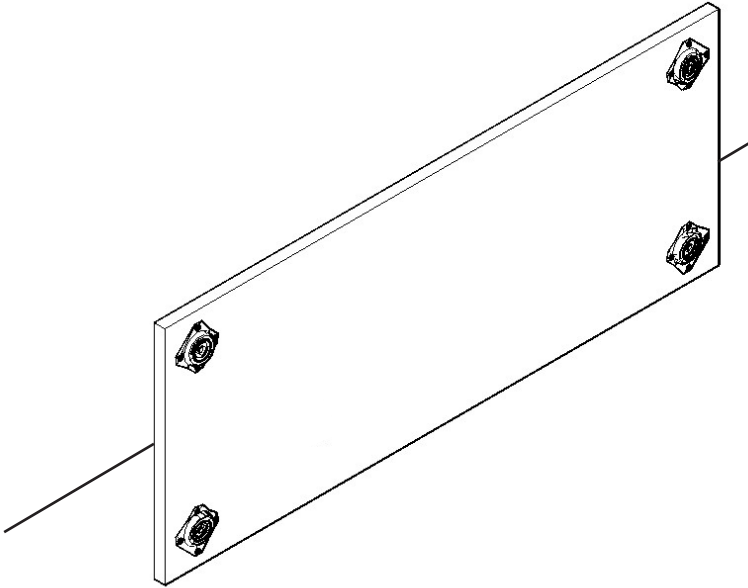
**a soft surface to assemble on**  
*(like a rug or some of the corrugate  
box your piece arrived in)*



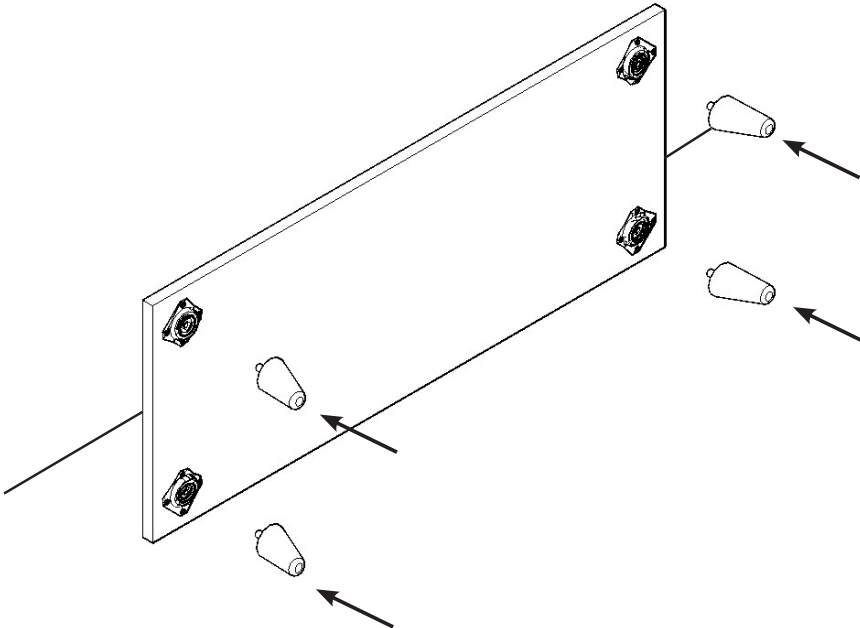
**2 people**  
**plus a dog for moral support**  
*(unless you're a cat person)*



**1** lean bottom (C) against a wall as shown.



**2** beginning in one corner, take one foot (G) as seen below, and insert the bolt located on foot (G) into the brackets on bottom panel (C). Twist until the foot is fully secure, and repeat for all feet (G) provided. Place bottom panel with attached feet aside for now.

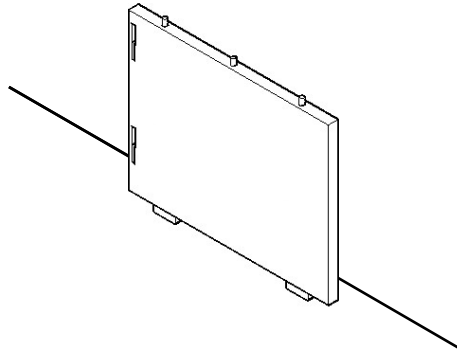


still confused? click to watch the assembly video [—————>](#)

**ASSEMBLY VIDEO CHANNEL >**

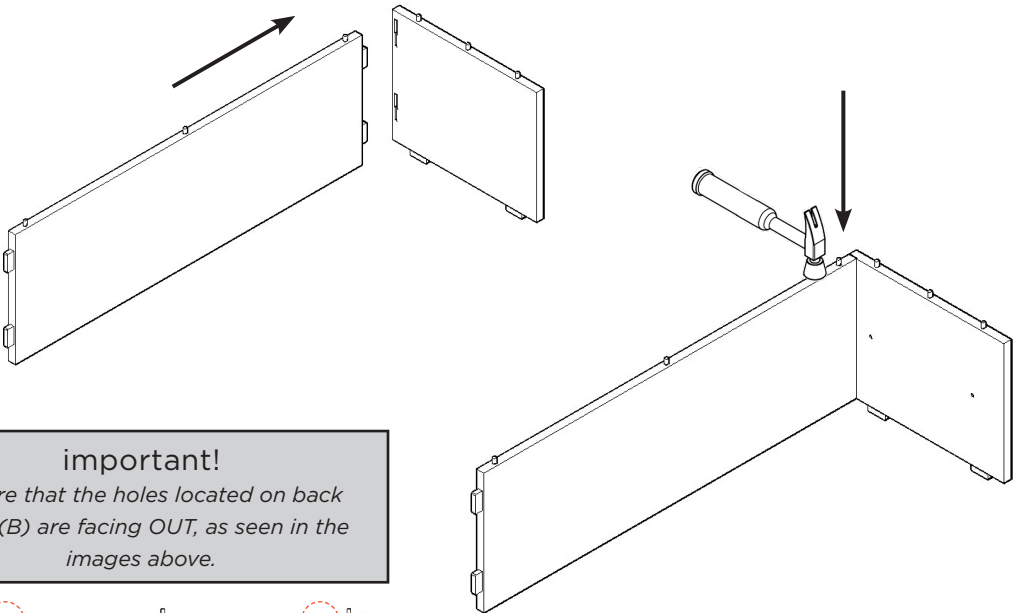
# 3

lean R side panel (A1) against a wall as shown.



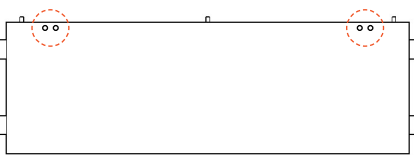
# 4

insert connectors on back panel (B) into slots on R side panel (A1). push down at the connection to lock into place. if needed, use hammer with hammer cap (J) to tap until secure.



**important!**

*be sure that the holes located on back panel (B) are facing OUT, as seen in the images above.*



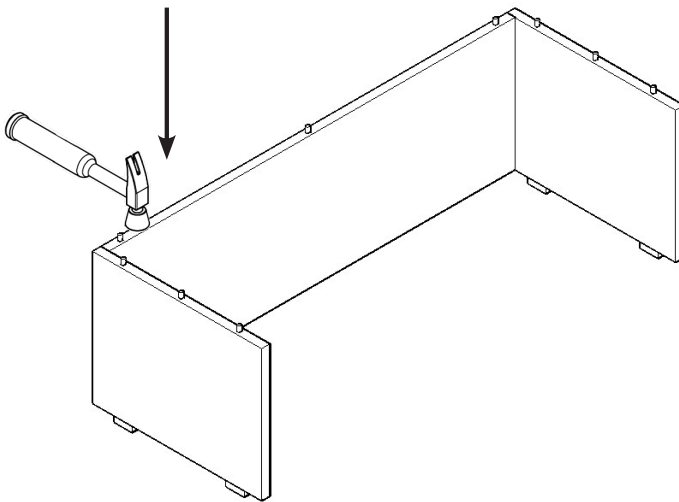
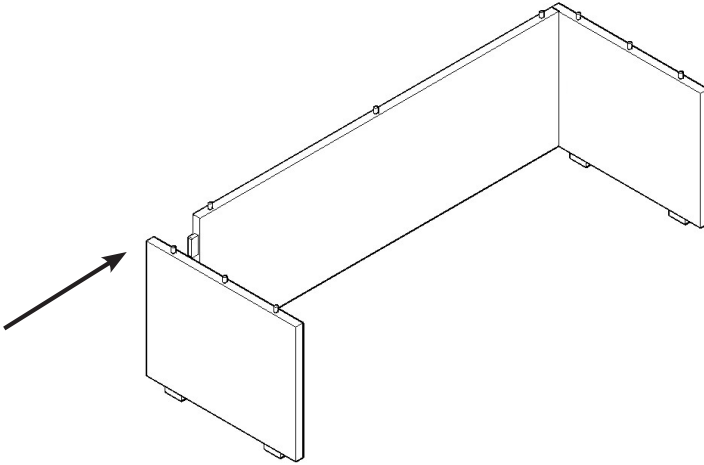
**B**  
back panel

still confused? click to watch the assembly video



**ASSEMBLY VIDEO CHANNEL >**

- 5** insert connectors on back panel (B) into slots on remaining L side panel (A2). push down or tap with hammer + hammer cap (J) at the connection to lock into place.



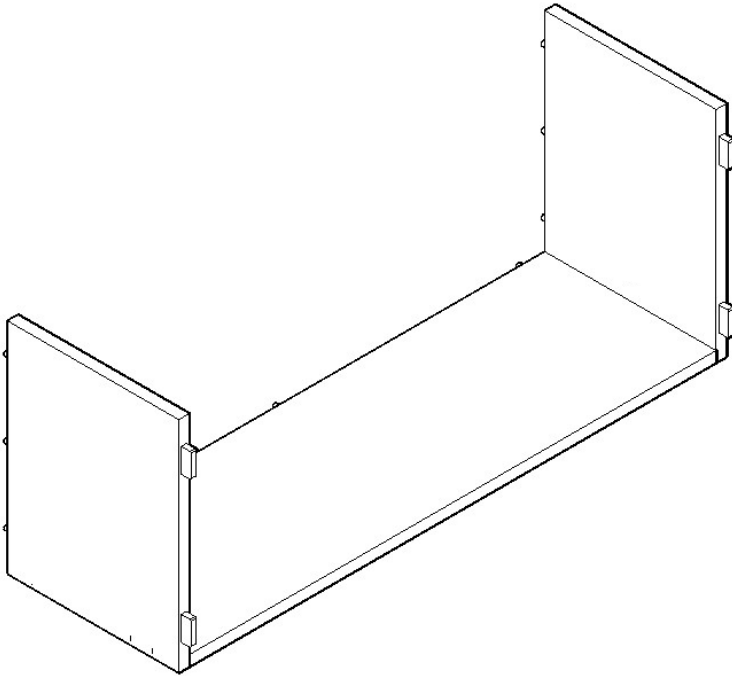
still confused? click to watch the assembly video



**ASSEMBLY VIDEO CHANNEL >**

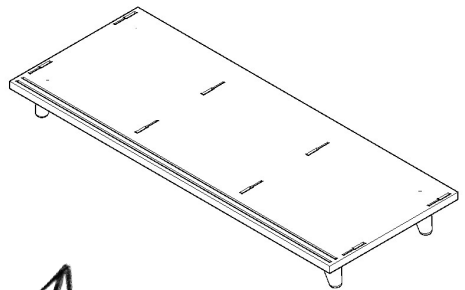
# 6

gently lay the partially assembled case on its back.



***wait!***

locate bottom panel (C) with attached feet (H)  
before moving on to the next step.



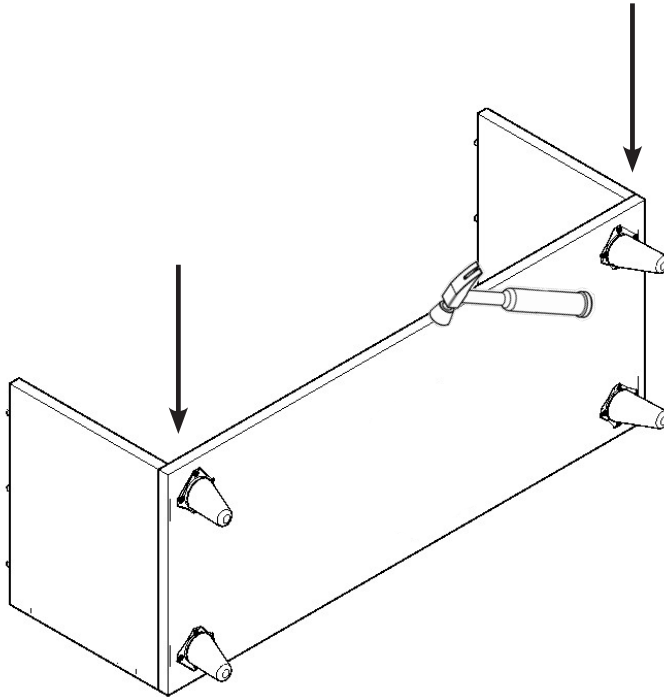
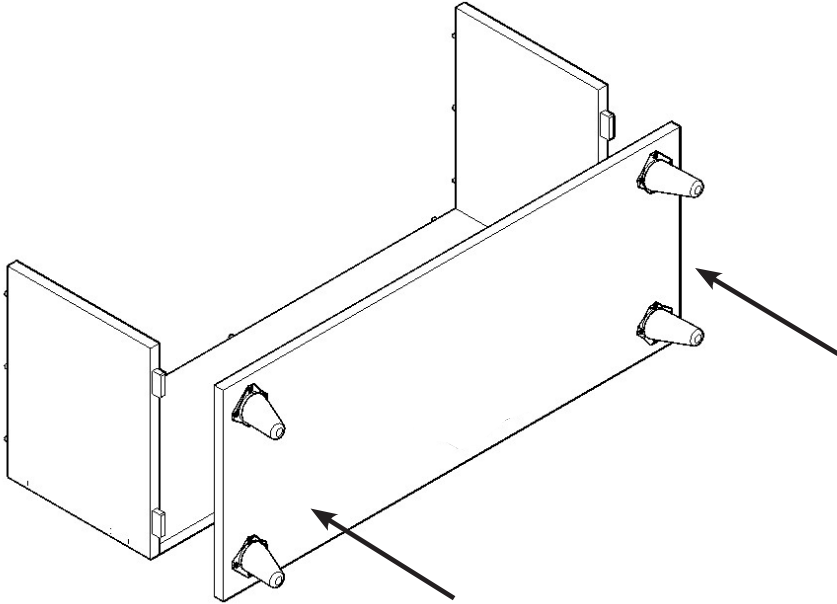
still confused? click to watch the assembly video



**ASSEMBLY VIDEO CHANNEL >**

# 7

insert connectors on both side panels (A1 + A2) into slots on bottom panel (C). push down or tap with hammer and hammer cap (J) to lock into place.

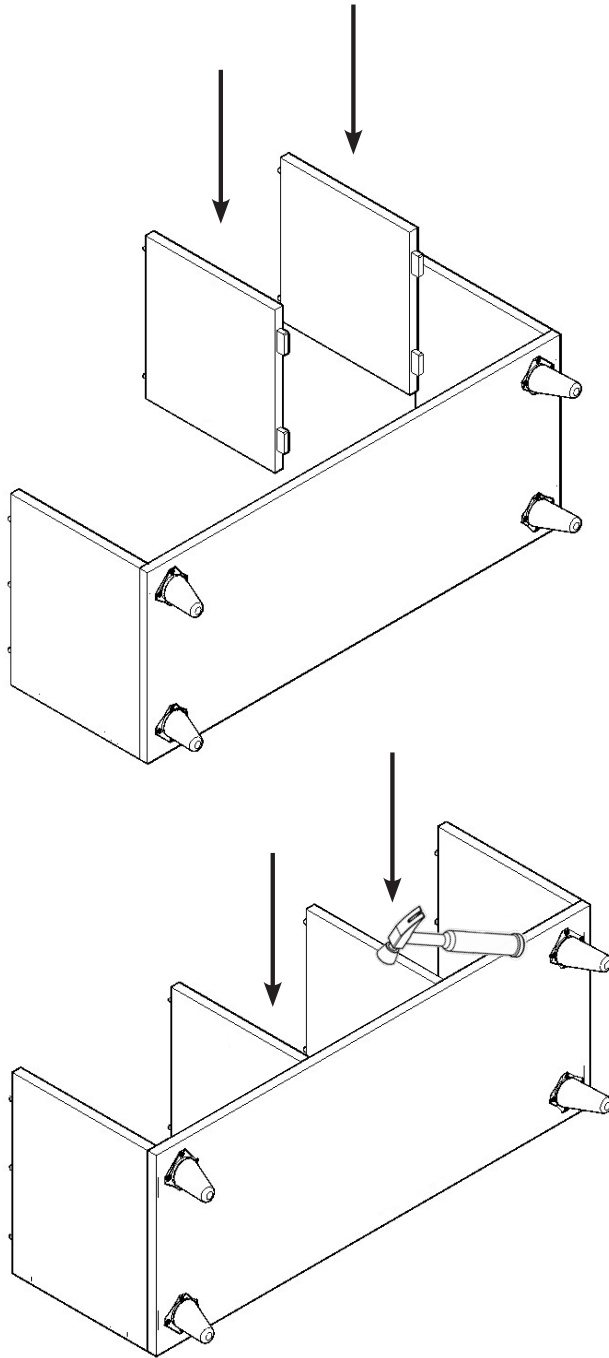


still confused? click to watch the assembly video [—————>](#)

**ASSEMBLY VIDEO CHANNEL >**

# 8

lower both center partitions (E) into the partially assembled case. insert connectors on center partitions (E) into the remaining slots on bottom panel (C). push down or tap with hammer and hammer cap (J) to lock into place.

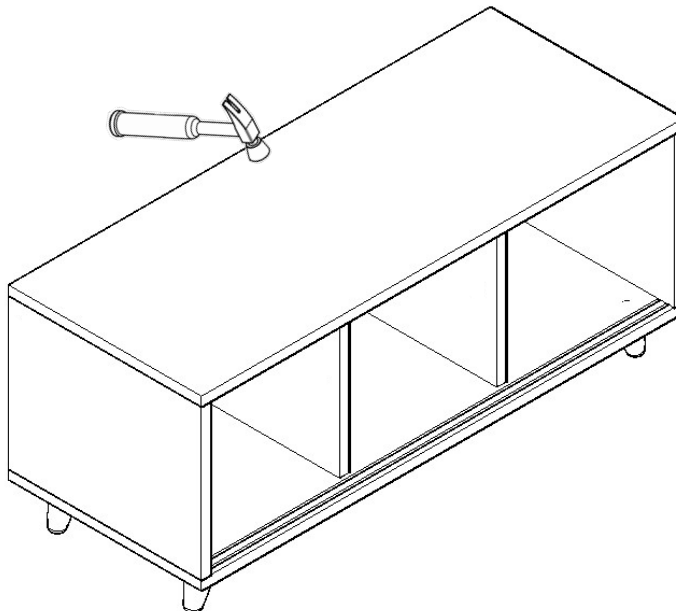
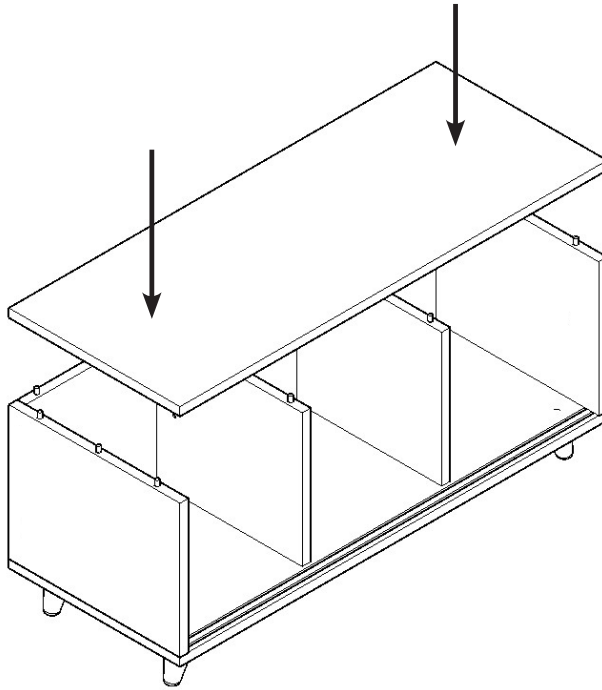


still confused? click to watch the assembly video



**ASSEMBLY VIDEO CHANNEL >**

- 9 flip partially assembled case into upright position. line up holes of top (D) with the connectors of side panels (A1 + A2), center partitions (E) and back panel (B). tap with hammer and hammer cap (J) to lock into place.

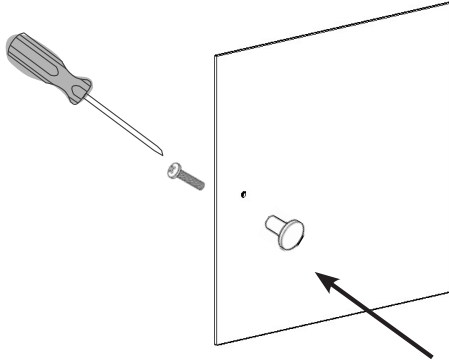


still confused? click to watch the assembly video [—————>](#)

[ASSEMBLY VIDEO CHANNEL >](#)

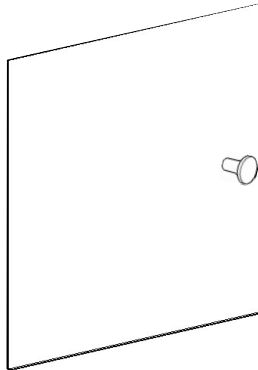
# 10

using a phillips screwdriver and screw (I), attach the pull hardware (H) to the door panel (F).



# 11

repeat step 12 for remaining door (F).



still confused? click to watch the assembly video

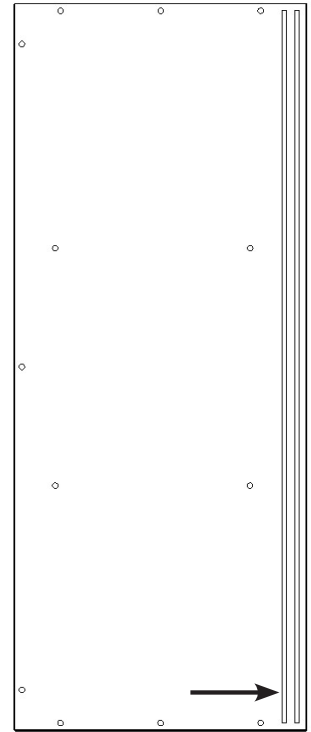
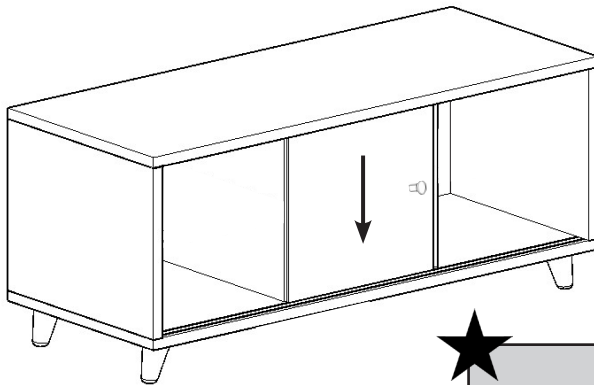
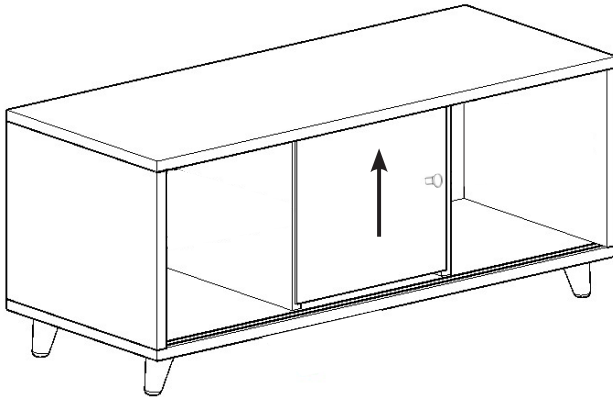
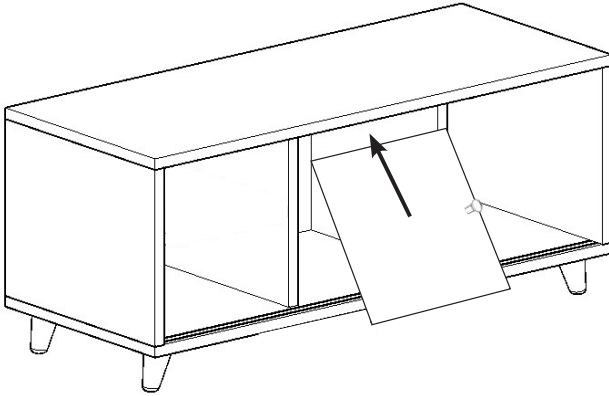


[ASSEMBLY VIDEO CHANNEL >](#)

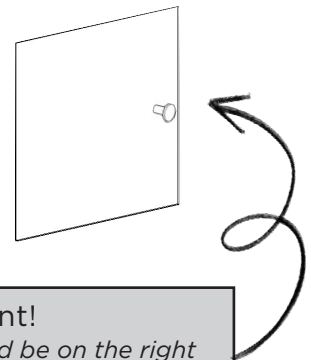


# 12

slightly angle one door panel (F) into the case as shown below. Insert the door upward into the track closest to the back of the case. then, allow the door to drop down into the same track on the bottom panel (C). to confirm that it is installed correctly, just try sliding the door side to side.



D  
top



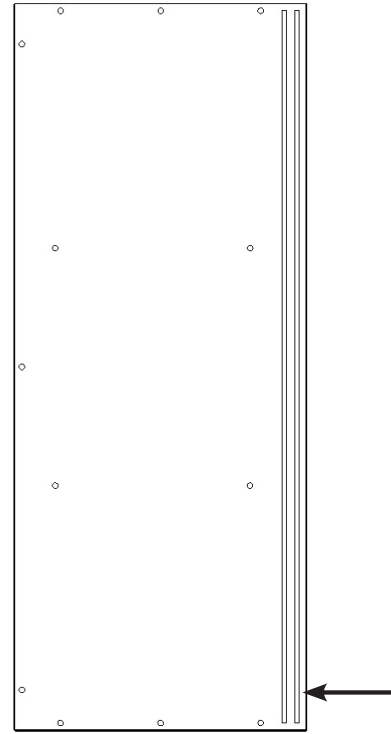
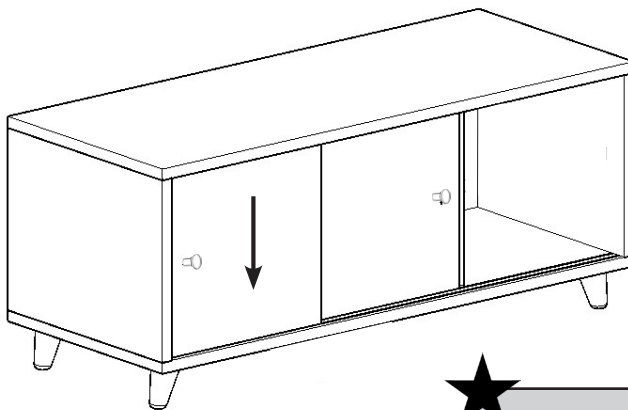
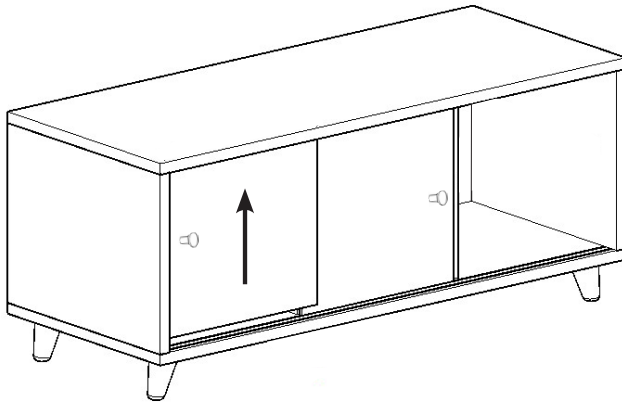
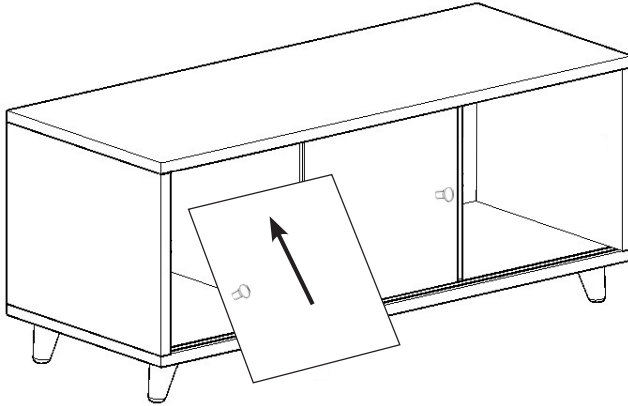
**important!**  
*the hardware pull should be on the right side for this step.*

still confused? click to watch the assembly video [—————>](#)

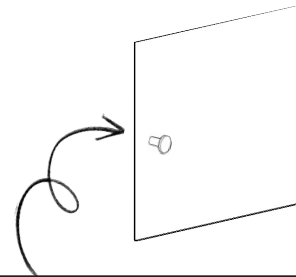
**ASSEMBLY VIDEO CHANNEL >**

# 13

slightly angle the remaining door panel (F) into the case as shown below. Insert the door upward into the track closest to the front of the case. then, allow the door to drop down into the same track on the bottom panel (C). to confirm that it is installed correctly, just try sliding the door side to side.



D  
top



**important!**  
*the hardware pull should be on the left side for this step.*

still confused? click to watch the assembly video



**ASSEMBLY VIDEO CHANNEL >**

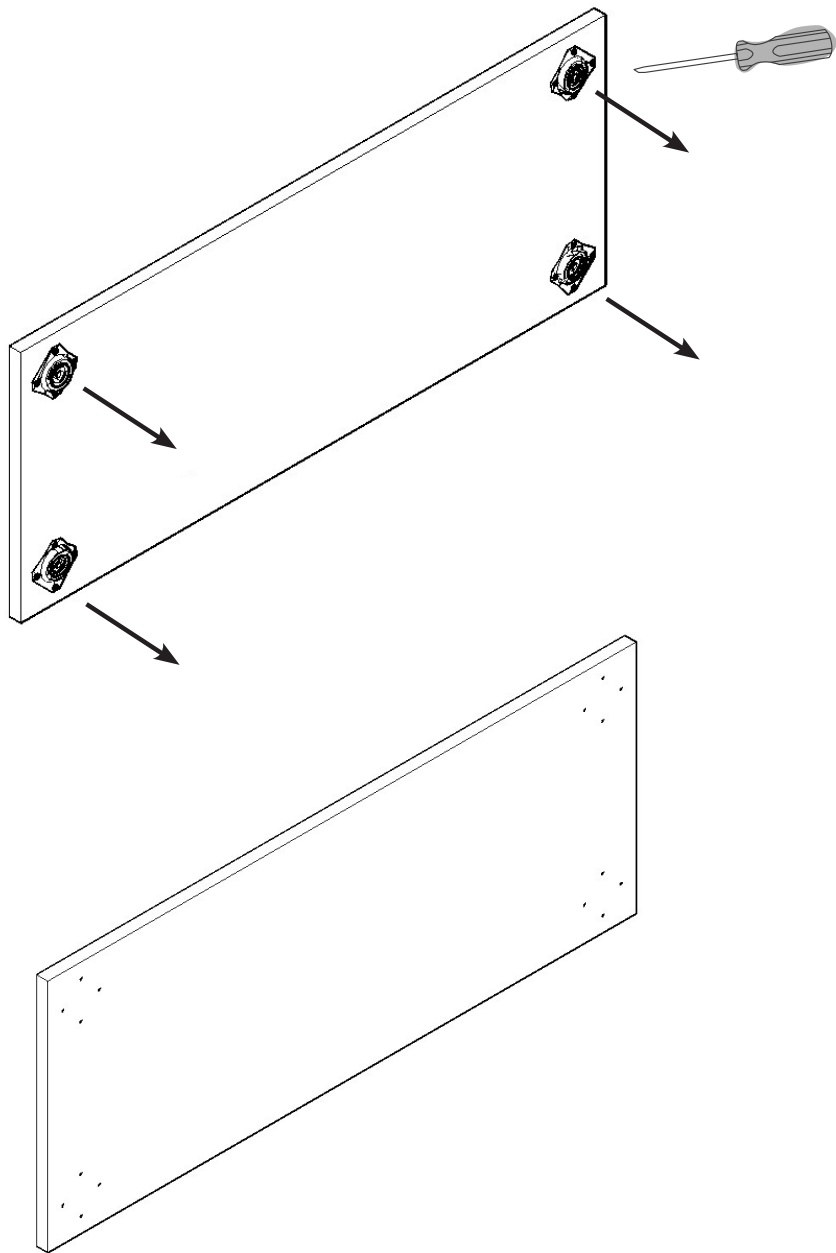


## **before you move on!**

the following instructions describe how to stack your toy storage units and apply the safety strap if stacking two or more. if you will not be stacking your toy storage units, you can stop here.

# 14

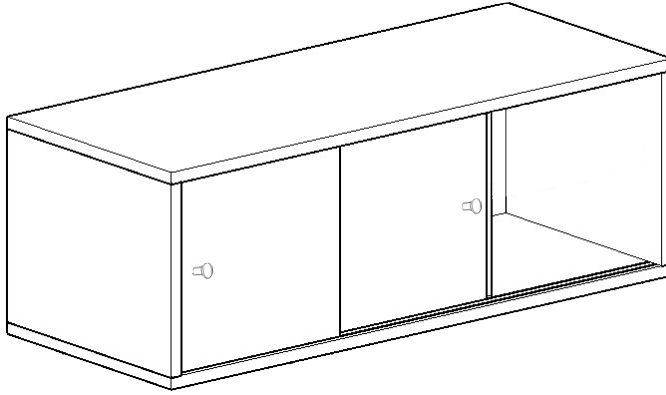
in order to stack these storage units, you'll need to remove the leg brackets on the underside of bottom panel (C). using your philips head screw driver, remove all leg brackets.



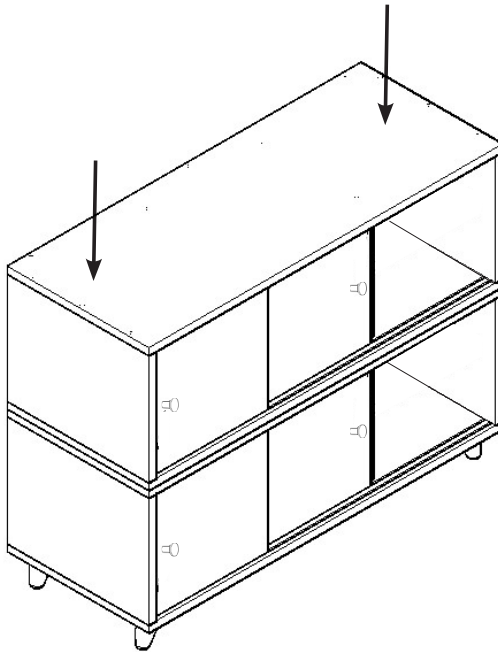
still confused? click to watch the assembly video [—————>](#)

**ASSEMBLY VIDEO CHANNEL >**

**15** now that your leg brackets have been removed, repeat steps 3-13 to build your remaining storage units that you'd like to stack.



**16** place your first toy storage unit (with legs attached) in the area it will stay. do not try to move the unit once it has been stacked. then, have a friend help you lift the second toy storage unit on top of the first. be sure all corners are aligned before moving forward.

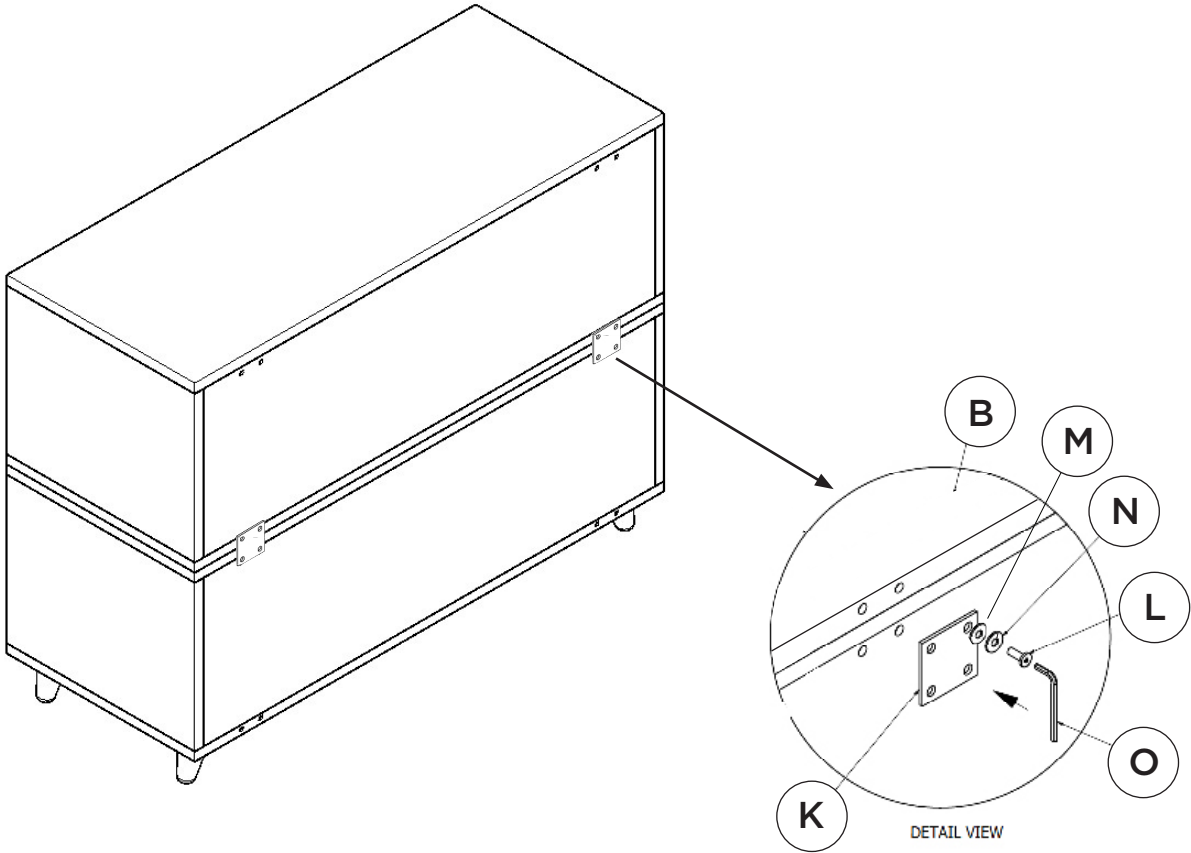


still confused? click to watch the assembly video



**ASSEMBLY VIDEO CHANNEL >**

- 17** starting at one side, place square bracket (K) over the holes on the back of each storage unit. secure into place using the allen key (O) to screw in hardware (M+ N + L) as arranged in the picture. then, repeat on the remaining side.



**duc insider tip!**

*start by loosely screwing in each bolt over the bracket. once everything is lined up and each of the 4 bolts are in place, fully tighten all screws until secure.*

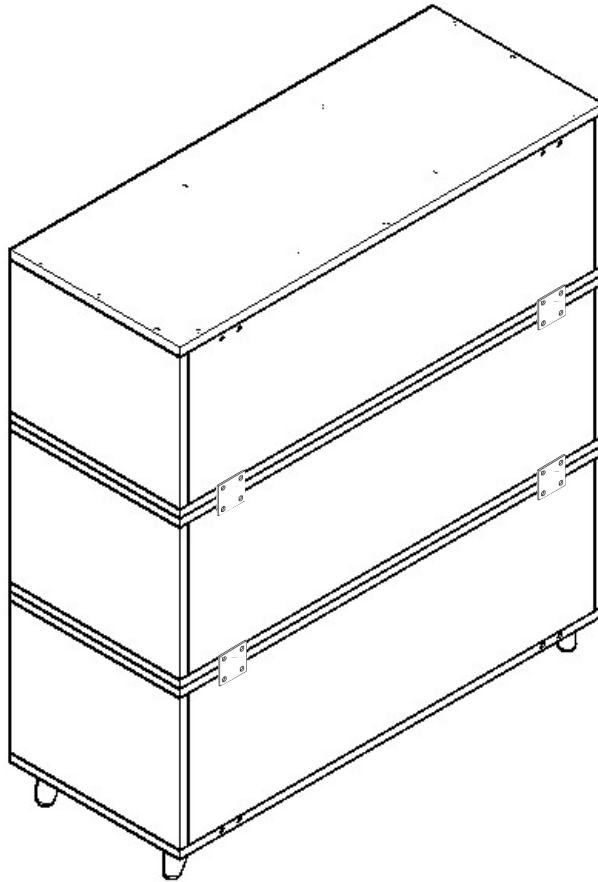
*repeat on the remaining bracket using the same method.*

still confused? click to watch the assembly video [—————>](#)

**ASSEMBLY VIDEO CHANNEL >**

# 18

repeat step 19 if you have a remaining toy storage unit that you would like to stack.  
please note: we only recommend stacking 3 units at once.



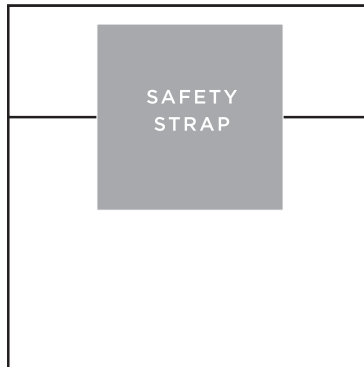
still confused? click to watch the assembly video [—————>](#)

**ASSEMBLY VIDEO CHANNEL >**

# 19

## safety strap installation

the last step for your stacking toy storage is to install the safety strap included in the box. reference the separate instructions enclosed in the envelope.



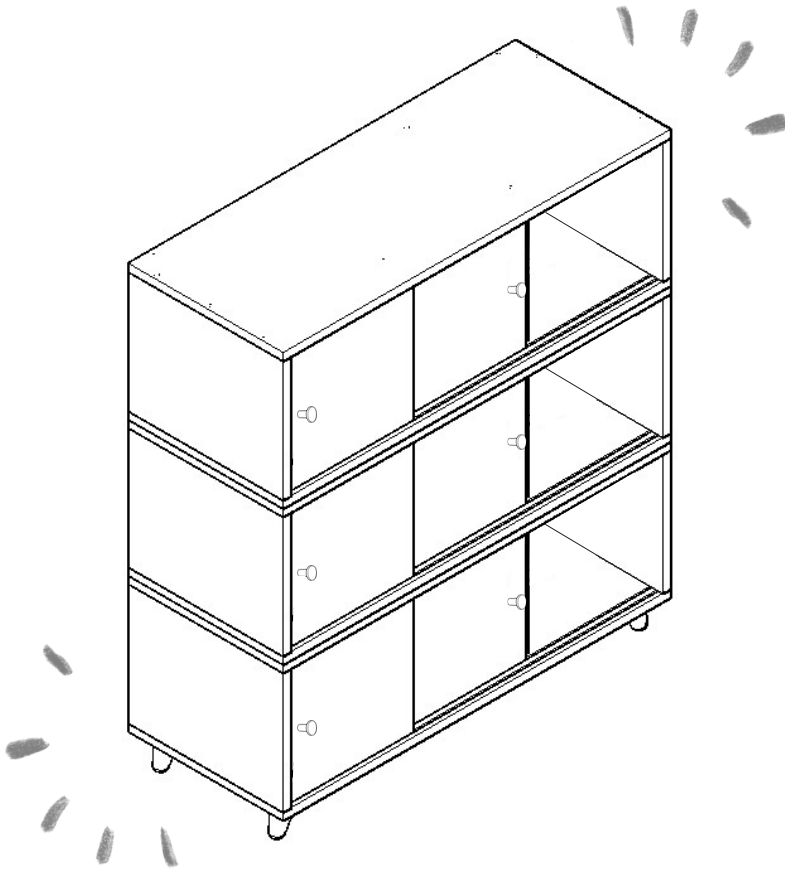
**P**

safety strap kit



# yippee! you did it!

give yourself a pat on the back, take a bow,  
or go house a pint of ice cream...we don't judge.



# prefer to talk to a human instead? we're here for you!

contact our customer advocate team below:



212.226.1868



[quack@ducducnyc.com](mailto:quack@ducducnyc.com)



live chat at  
[ducducnyc.com](https://ducducnyc.com)



200 lexington ave  
ny, ny 10016