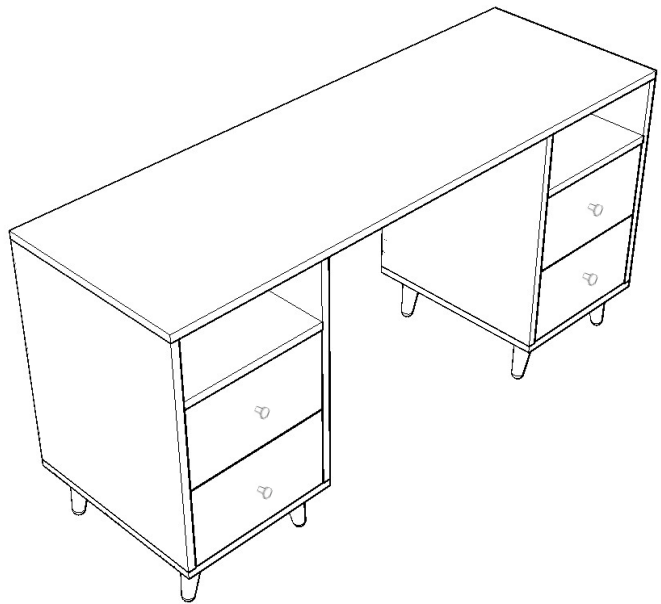




## ASSEMBLY INSTRUCTIONS

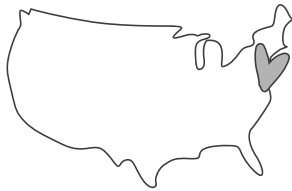
# knox doublewide desk

a how-to guide that won't leave you in tears



parenting is hard.  
**this is easy.**

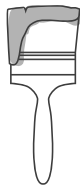
*no really, it is.*



**MADE HERE™**



**MADE WELL™**



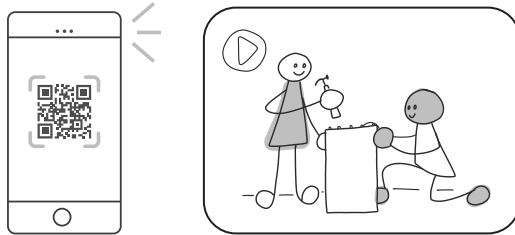
**MADE SAFE**



**MADE SMART**

# want to watch this assembly IRL?

(acronym challenged? that means “in real life”.)



open the camera on your phone and place it over the QR code below to see our NYC studio dream team do all the heavy lifting (just kidding, there is none!)



if you're already using your phone, just click the orange button below!

[ASSEMBLY VIDEO CHANNEL >](#)

or go to [ducducnyc.com/pages/assembly-instructions](https://ducducnyc.com/pages/assembly-instructions)

**thank you for selecting a  
studio duc product!**

please check contents against the components list in these instructions. also, please ensure there was no damage that may have occurred in shipping.

if any components are missing or you find any damage, please contact ducduc before continuing.

read all the instructions before use.

pay close attention to the safety warnings in these instructions.

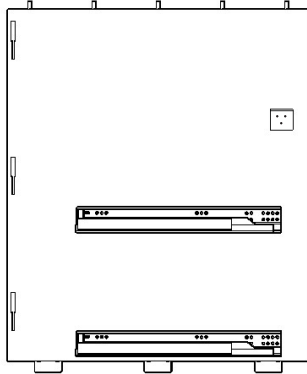
a minimum of two people is required to safely assemble and move the desk. do not attempt to move this desk alone — dragging or sliding it across a floor may cause structural damage.

**CLEANING:**

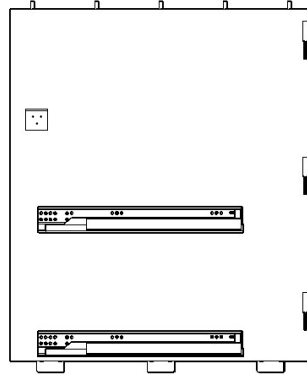
do not scratch or chip the finish. do not use abrasive chemicals for cleaning. clean with mild soap on a soft rag. rinse and dry thoroughly. if you ever refinish this furniture, be sure to use only a non-toxic finish specified for children's furniture.

**KEEP INSTRUCTIONS FOR FUTURE USE**

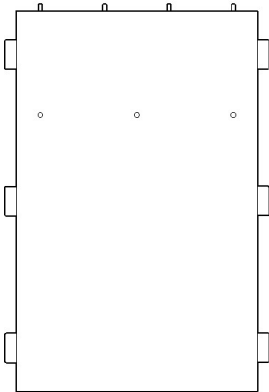
# WHAT'S IN THE BOX:



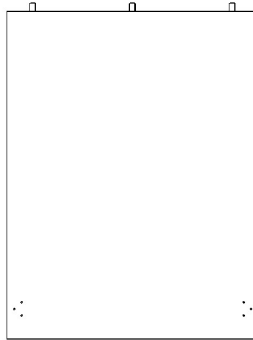
**A1 (x2)**  
R side panel



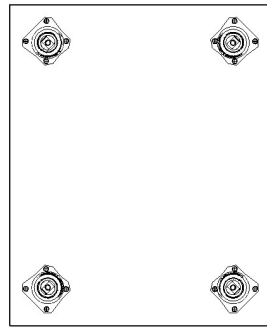
**A2 (x2)**  
L side panel



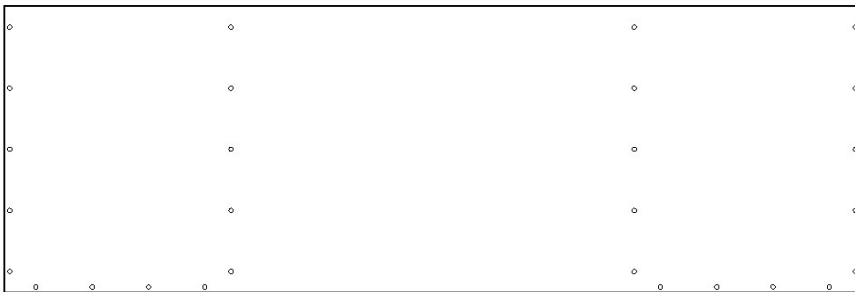
**B (x2)**  
back panel



**C (x2)**  
fixed shelf

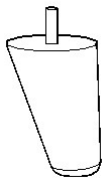


**D (x2)**  
bottom panel



**E**  
top panel

# WHAT'S IN THE BOX:



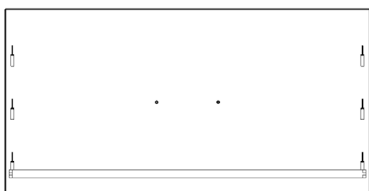
**F (x8)**  
foot



**G (x12)**  
screws



**H**  
hammer cap



**DB1 (x4)**  
drawer face



**DB2 (x4)**  
drawer box back



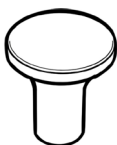
**DB3 (x4)**  
L drawer box side



**DB4 (x4)**  
R drawer box side



**DB5 (x4)**  
drawer box bottom



**DB6 (x4)**  
knox pull hardware



**DB7 (x4)**  
screw for knox pull

## WHAT YOU'LL NEED:



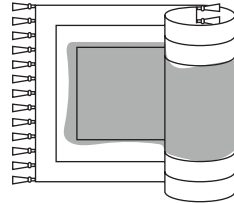
**household hammer or  
rubber mallet**



**phillips head screwdriver and/or  
drill with 6mm bit**



**20 minutes  
(or less)**



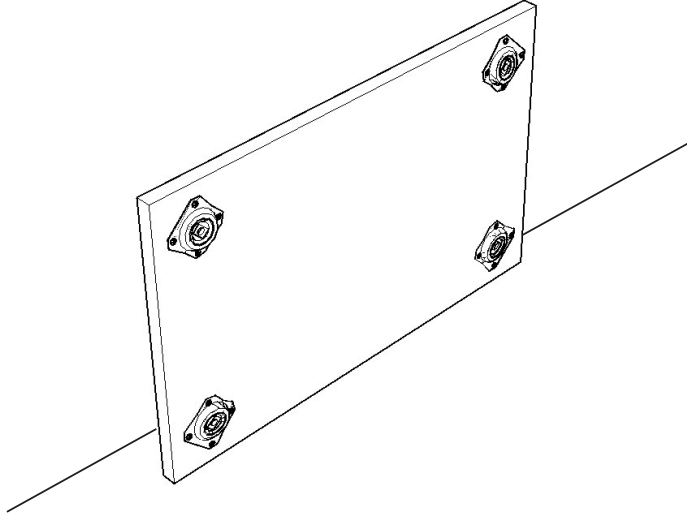
**a soft surface to assemble on**  
*(like a rug or some of the corrugate  
box your piece arrived in)*



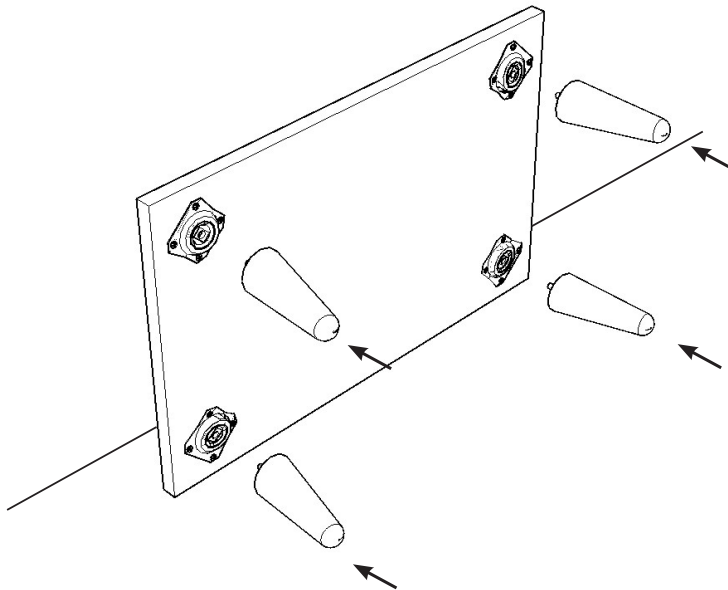
**2 people  
plus a dog for moral support**  
*(unless you're a cat person)*



**1** lean one bottom (D) against a wall as shown.



**2** beginning in one corner, take a foot (F) as seen below, and insert the bolt located on foot (F) into the brackets on bottom panel (D). Twist until the foot is fully secure, and repeat for all feet (F) provided. When you are done, put aside for now.



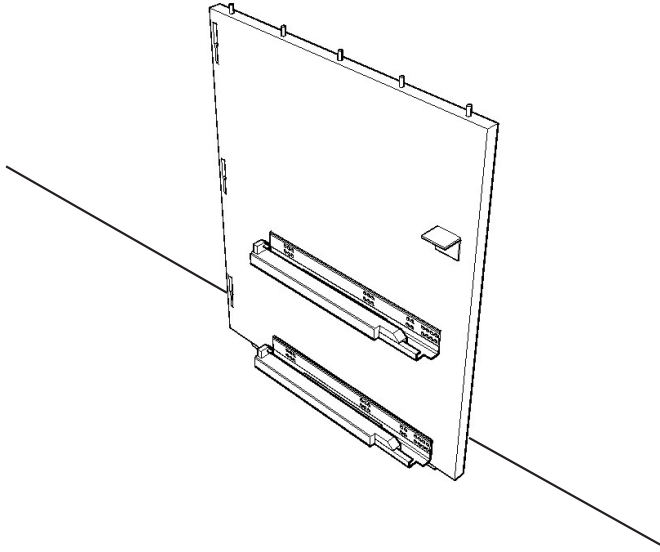
still confused? click to watch the assembly video



**ASSEMBLY VIDEO CHANNEL >**

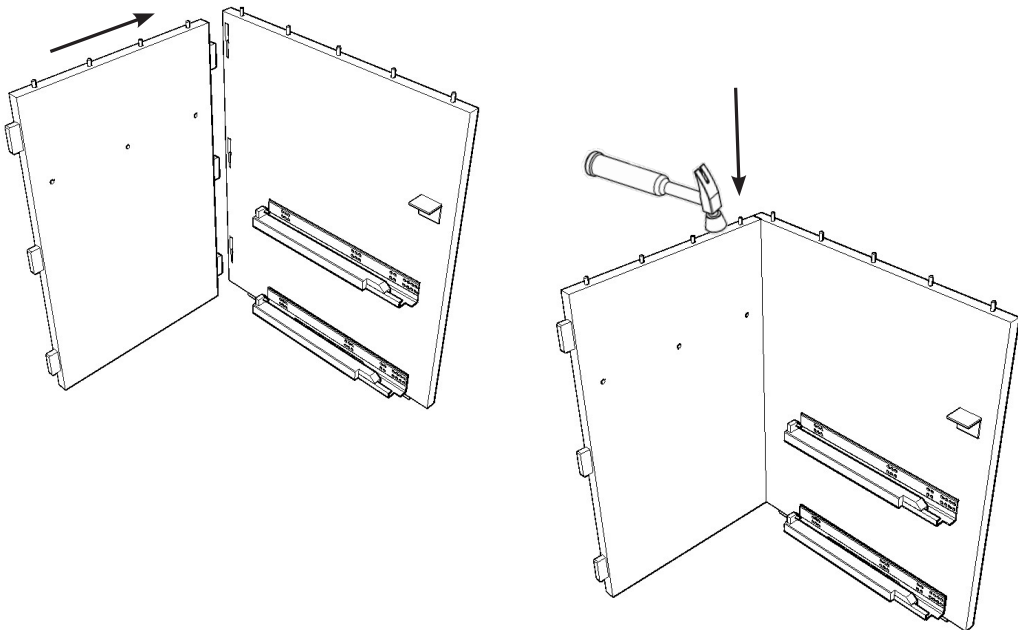
# 3

lean one R side panel (A1) against a wall as shown.



# 4

insert connectors on one back panel (B) into the slots on R side panel (A1) as shown. push down at the connection to lock into place. if needed, tap with hammer and hammer cap (H).



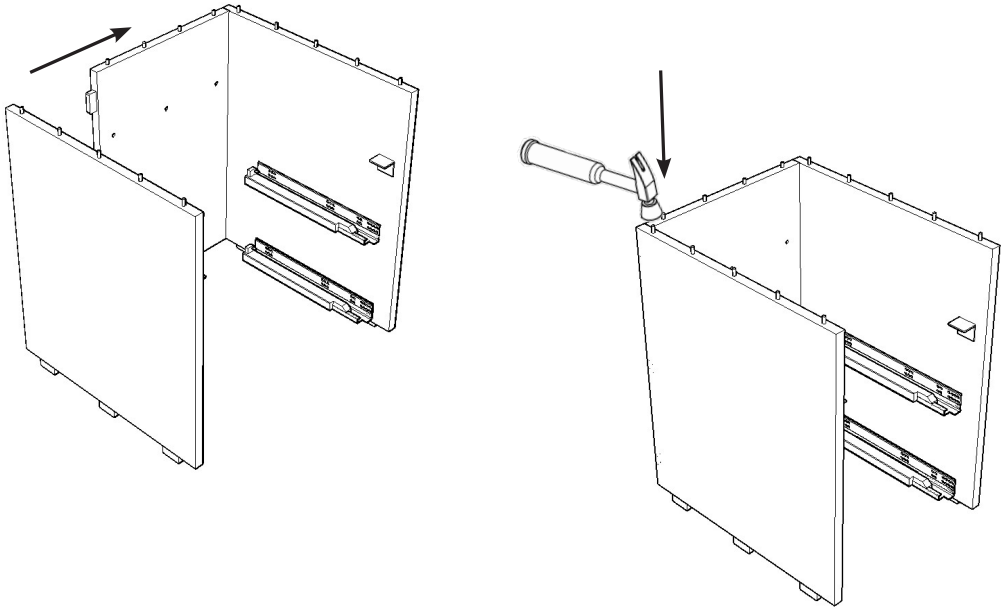
still confused? click to watch the assembly video



**ASSEMBLY VIDEO CHANNEL >**

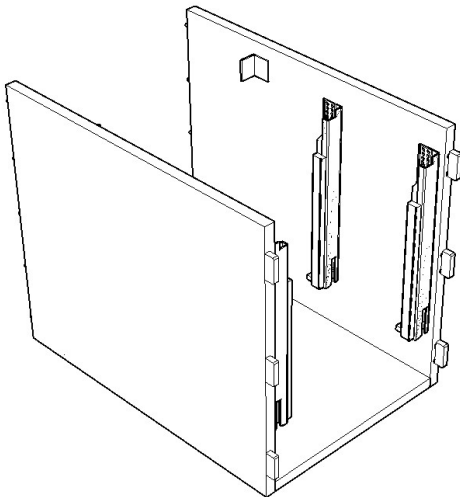
# 5

insert connectors on back panel (B) into slots on one L side panel (A2). push down at the connection to lock into place.



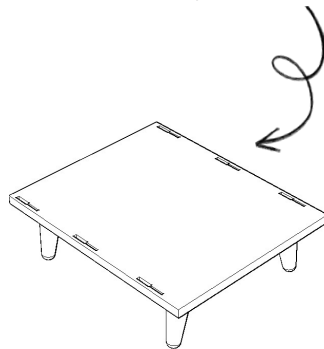
# 6

gently lay the partially assembled case on its back as shown.



***wait!***

locate bottom panel (D) with attached feet (F) before moving on to the next step.

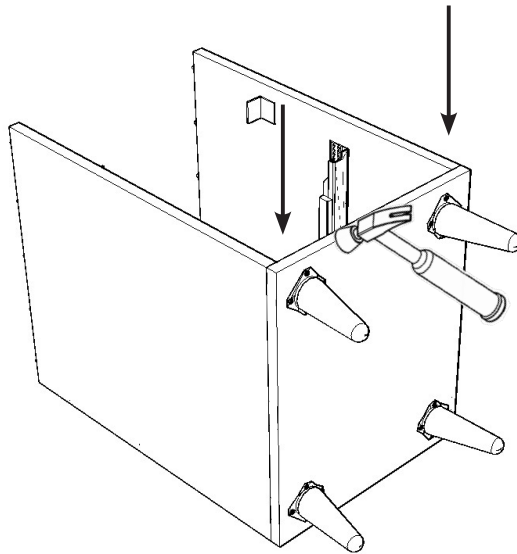
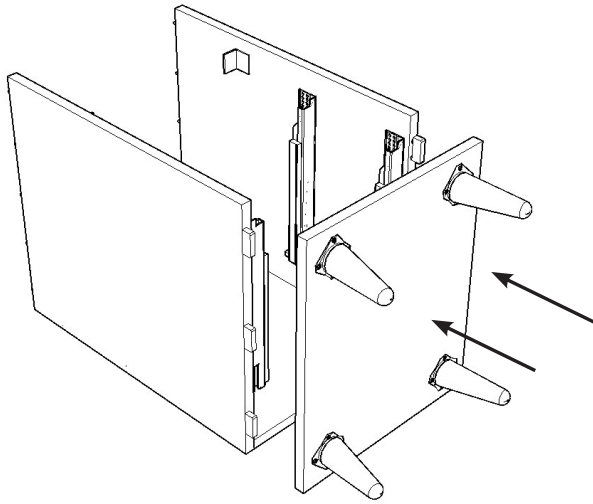


still confused? click to watch the assembly video



ASSEMBLY VIDEO CHANNEL >

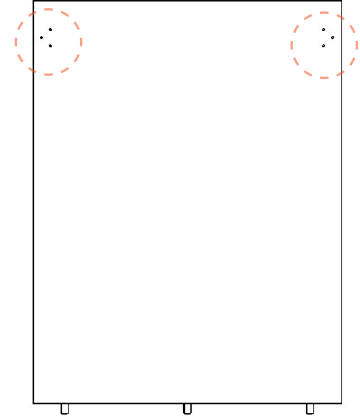
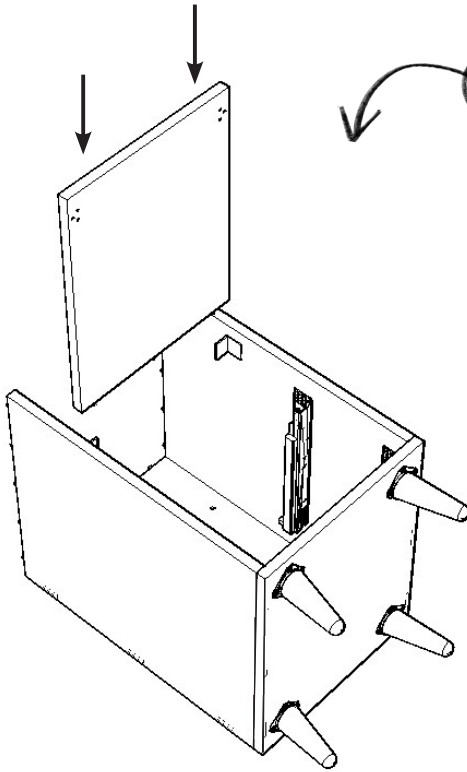
- 7** insert connectors on both side panels (A1 + A2) into slots on bottom panel (D). push down or tap with hammer and hammer cap (H) to lock into place.



still confused? click to watch the assembly video [—————>](#)

**ASSEMBLY VIDEO CHANNEL >**

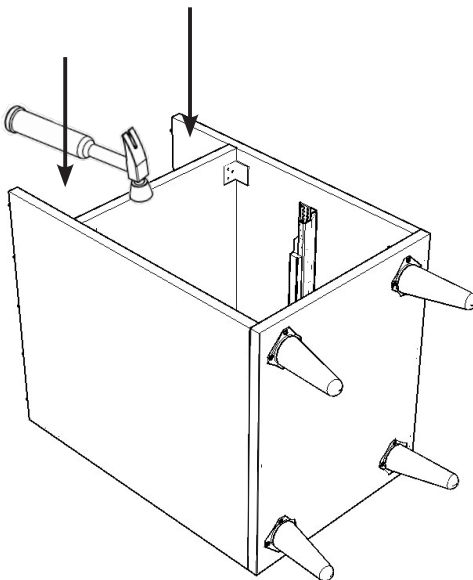
- 8 lower fixed shelf (C) into the case. align the three pins at the back of the fixed shelf (C) with the 3 holes on the back panel (B). push down or use hammer with hammer cap (H) to lock into place.



**C**  
fixed shelf

**important!**

*before locking into place, be sure that the holes circled above are facing the bottom panel (D) of the partially assembled case.*



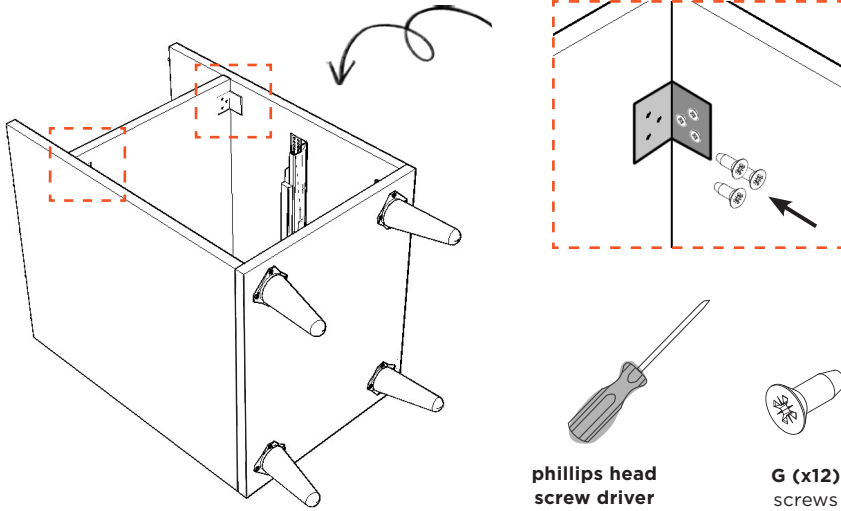
still confused? click to watch the assembly video



**ASSEMBLY VIDEO CHANNEL >**

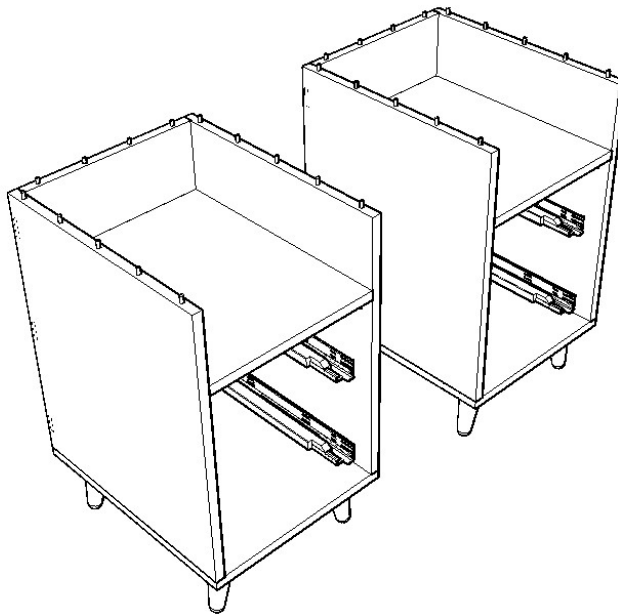
9

use screws (G) and your phillips head screwdriver to secure fixed shelf (C) to each side of the case interior.



10

repeat steps 3-9 to build the second case from the remaining parts.



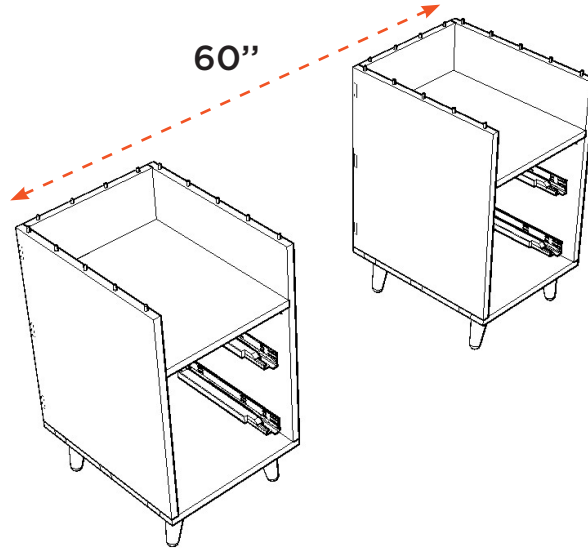
still confused? click to watch the assembly video



ASSEMBLY VIDEO CHANNEL >

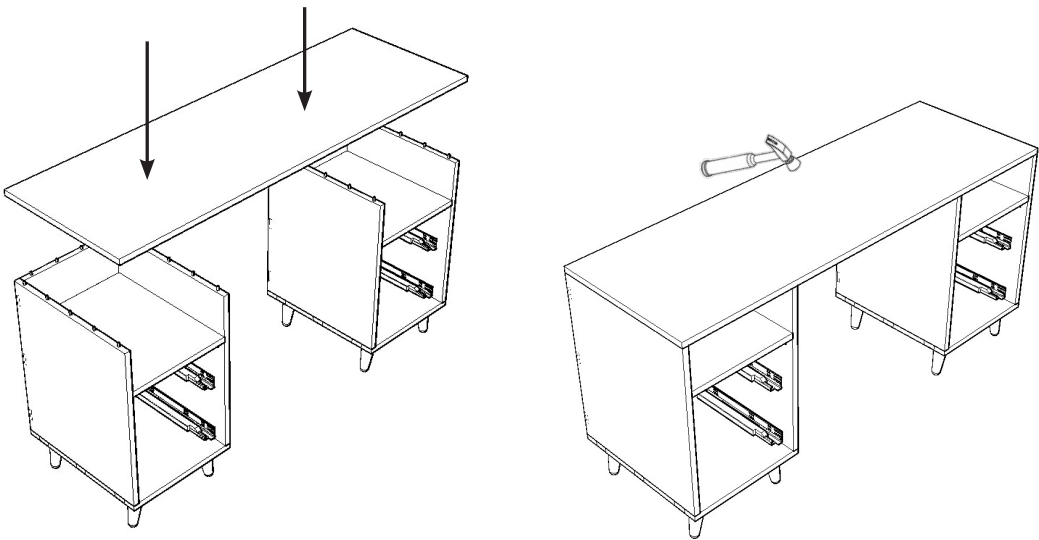
# 11

place both cases in the location where the desk will be fully assembled with the cases spaced 60" apart.



# 12

with a friend, line up holes of top panel (E) with the connectors located at the top of each case. once all holes are aligned, tap with hammer and hammer cap (H) to lock into place.



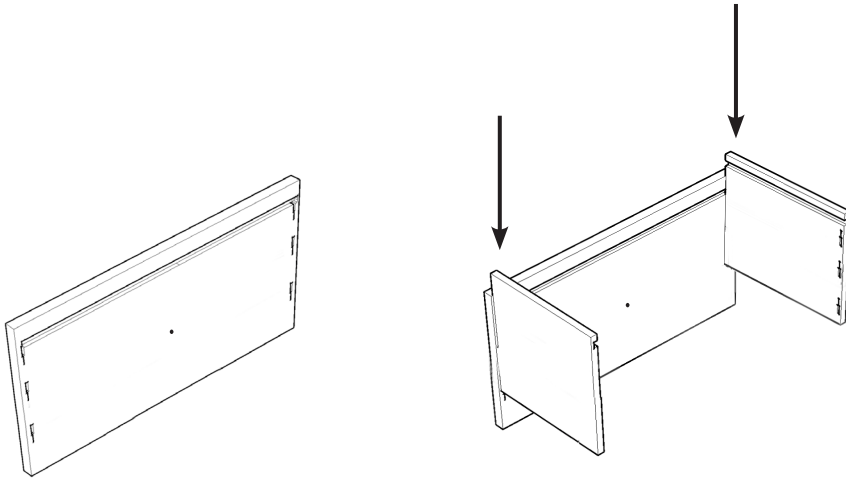
still confused? click to watch the assembly video



[ASSEMBLY VIDEO CHANNEL >](#)

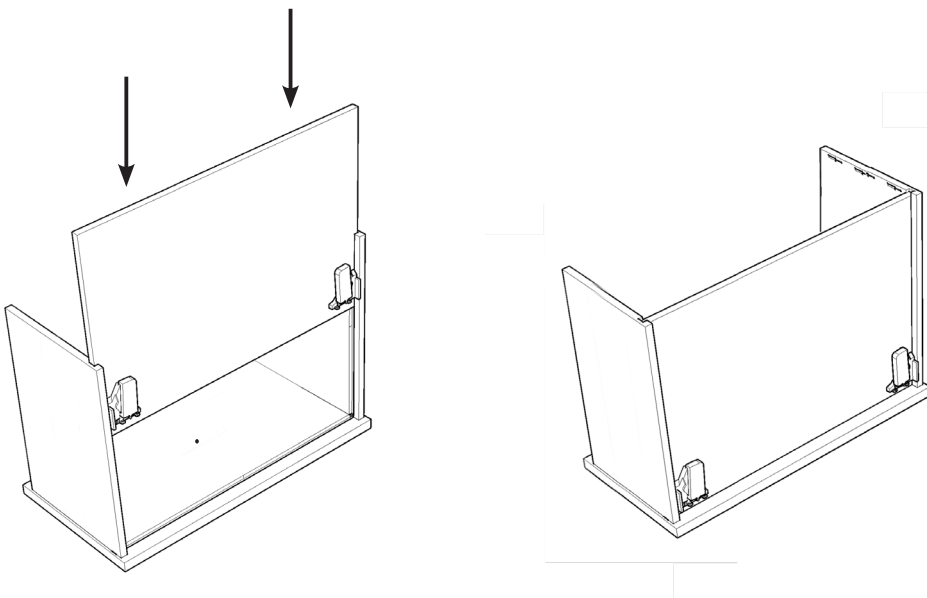
# 13a

now we build the drawer! starting with drawer face (DB1) facing down, insert connectors of both drawer box side panels (DB3 + DB4) into slots on drawer face (DB1). push down at the connections to lock into place.



# 13b

rotate the partially assembled drawer box as shown. slide drawer box bottom (DB5) into place using grooves on the drawer box side panels (DB3 + DB4) as guides. be sure glide hardware on bottom panel (DB5) is positioned outside the drawer interior and toward the drawer face (DB1) as shown.



still confused? click to watch the assembly video

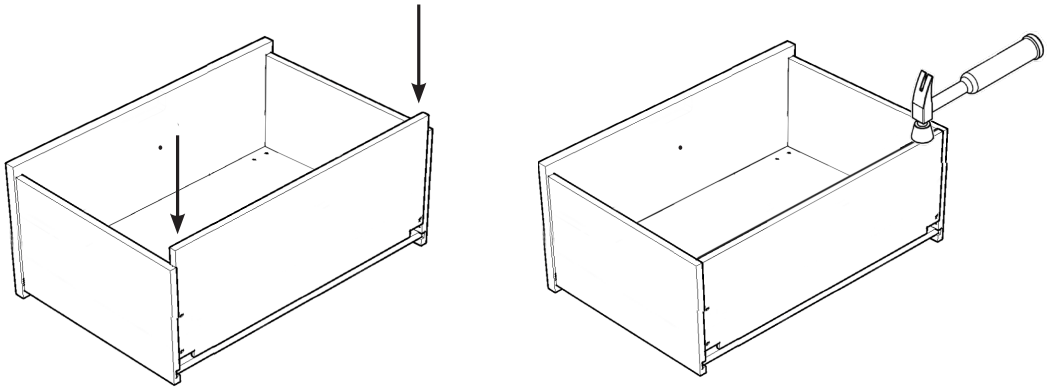


ASSEMBLY VIDEO CHANNEL >



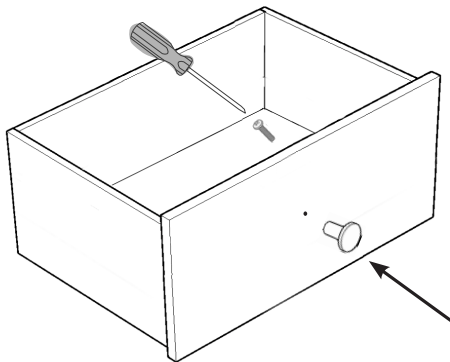
# 13c

again, rotate partially assembled drawer box as shown. insert connectors of drawer box back (DB2) into slots on drawer box sides (DB3 + DB4). push down at the connections to lock into place. use hammer and hammer cap (H) if needed.



# 13d

using a phillips screwdriver and screw (DB7), attach the pull hardware (DB6) to the front of the drawer face.



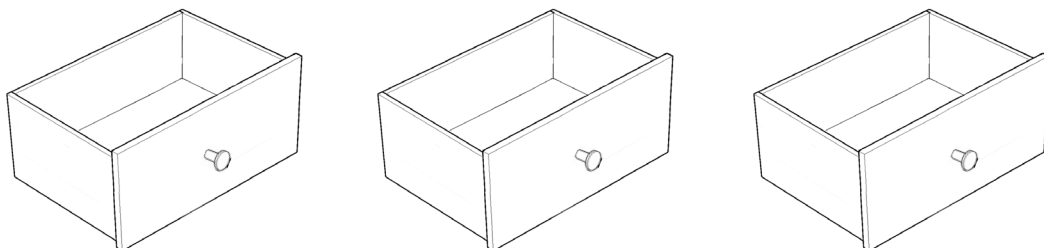
still confused? click to watch the assembly video



[ASSEMBLY VIDEO CHANNEL >](#)

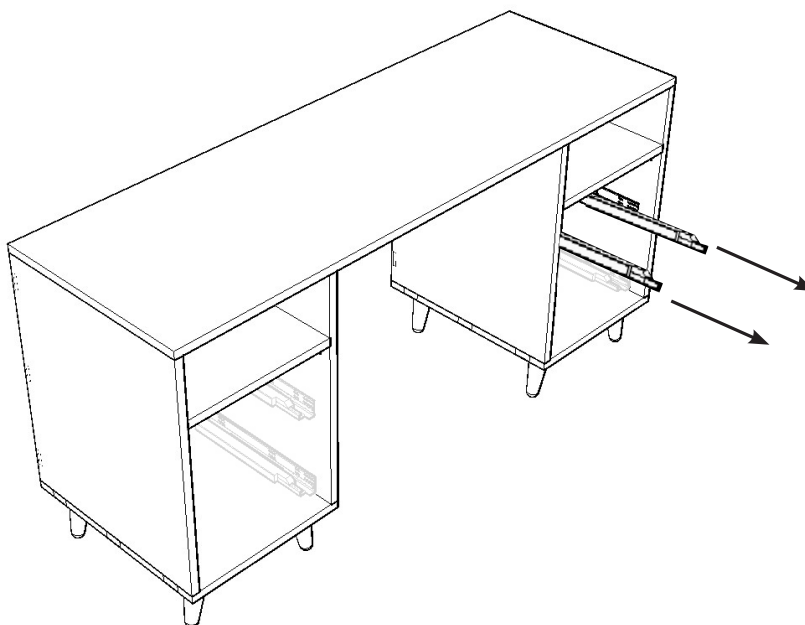
# 14

repeat steps 13a-13d to build the remaining 3 drawer boxes.



# 15a

pull drawer glides out to extended position as shown.



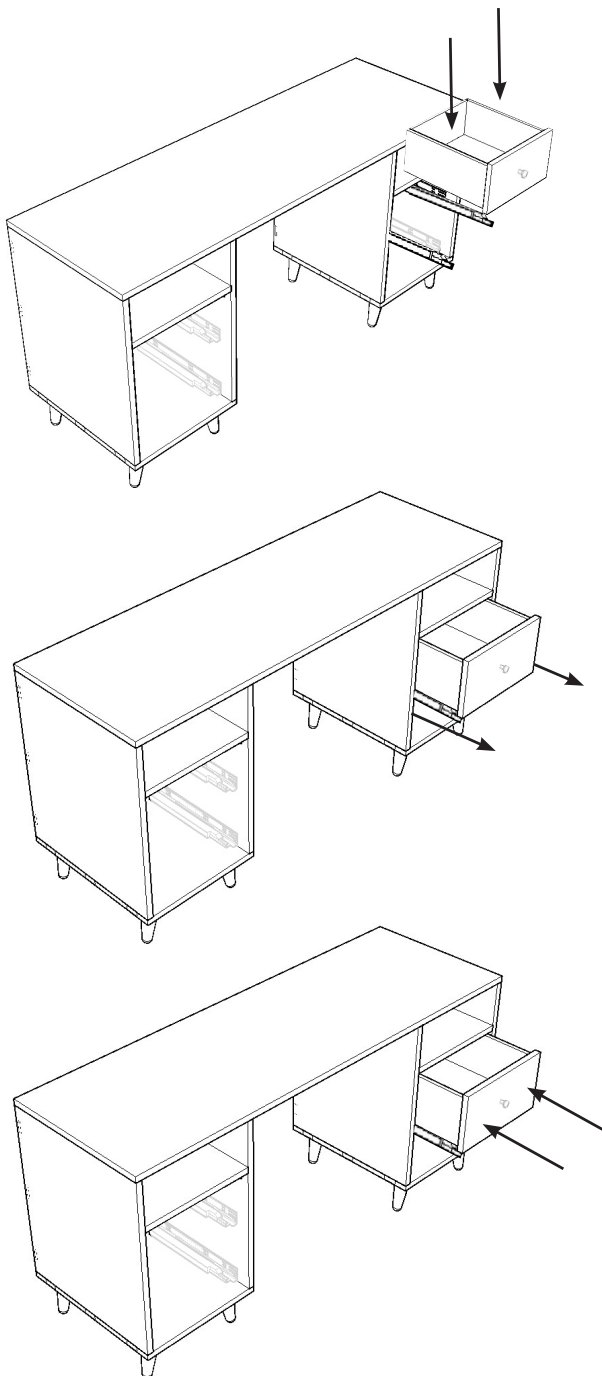
still confused? click to watch the assembly video



ASSEMBLY VIDEO CHANNEL >

# 15b

place the assembled drawer box onto extended glides as shown. from underside of drawer, use hands to pull each glide forward until it locks into connection with glide hardware attached to drawer box bottom (DB5). the drawer will be secure when you hear a click on each connection. once secured, push drawer box in to close.



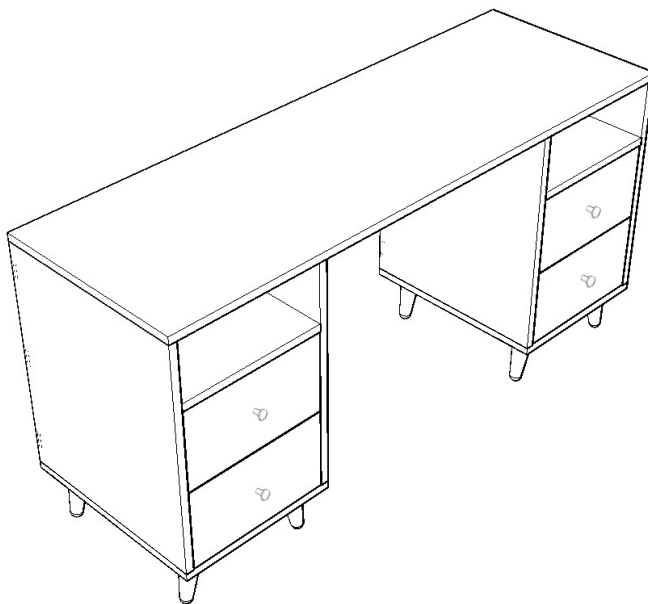
still confused? click to watch the assembly video



[ASSEMBLY VIDEO CHANNEL >](#)

# 16

repeat steps 15a-15b to install the remaining 3 drawers.



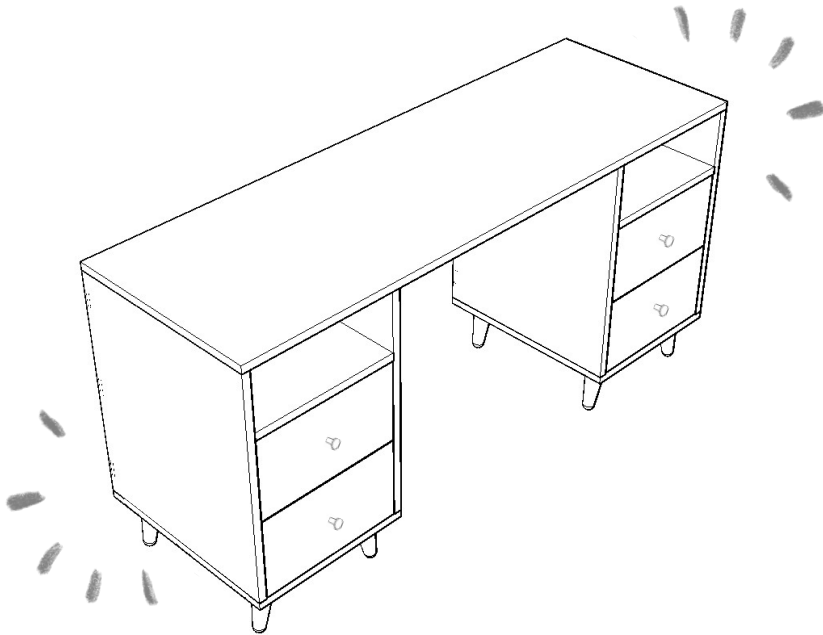
still confused? click to watch the assembly video



**ASSEMBLY VIDEO CHANNEL >**

**bravo! you did it!**

give yourself a pat on the back, take a bow,  
or go home a pint of ice cream...we don't judge.



# prefer to talk to a human instead? we're here for you!

contact our customer advocate team below:



212.226.1868



[quack@ducducnyc.com](mailto:quack@ducducnyc.com)



live chat at  
[ducducnyc.com](https://ducducnyc.com)



200 lexington avenue  
ny, ny 10016