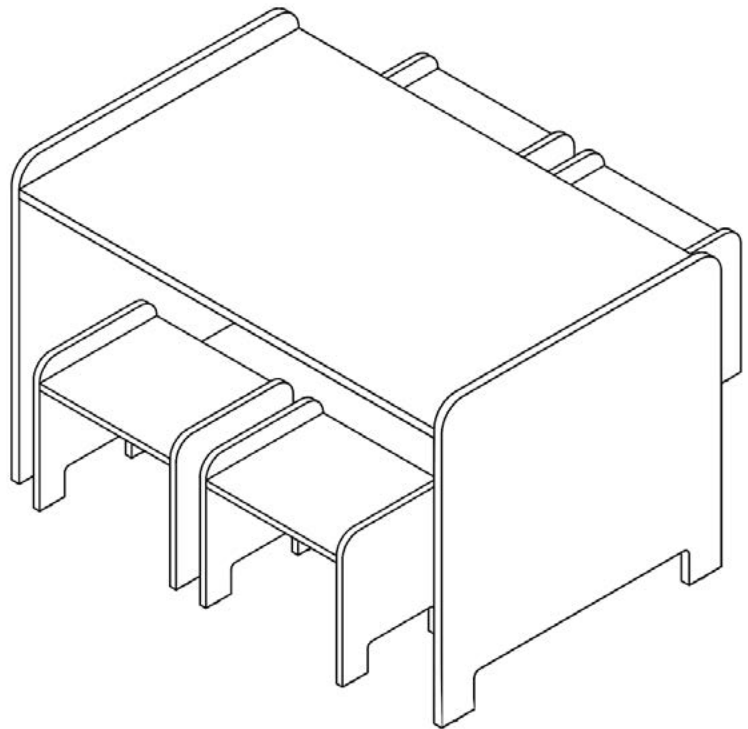




ASSEMBLY INSTRUCTIONS

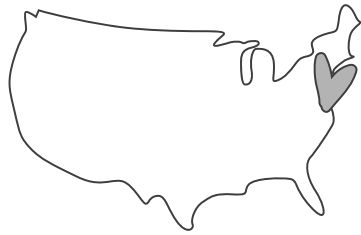
juno playtable

a how-to guide that won't leave you in tears

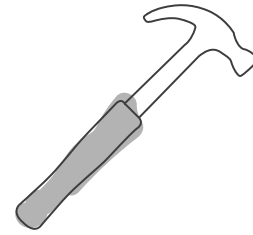


parenting is hard.
this is easy.

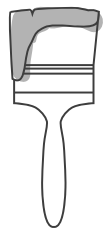
no really, it is.



MADE HERE™



MADE WELL™



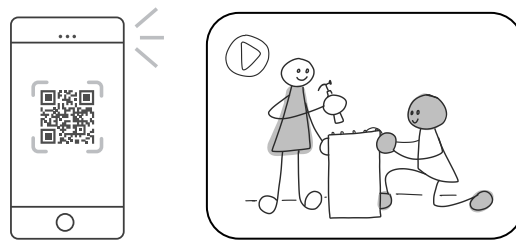
MADE SAFE



MADE SMART

want to watch this assembly IRL?

(acronym challenged? that means “in real life”.)



open the camera on your phone and place it over the QR code below to see our NYC studio dream team do all the heavy lifting (just kidding, there is none!)



or go to ducdcnyc.com/assembly-instructions

**thank you for selecting a
studio duc product!**

Please check contents against the components list in these instructions. Also, please ensure there was no damage that may have occurred in shipping.

If any components are missing or you find any damage, please contact ducduc before continuing.

Read all the instructions before use.

MAINTENANCE:

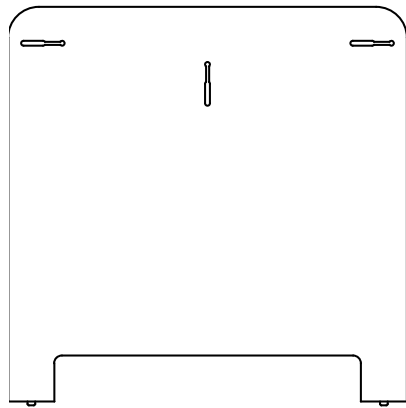
Please remember to securely tighten all connectors, and periodically check to make sure every component is properly and securely in place.

CLEANING:

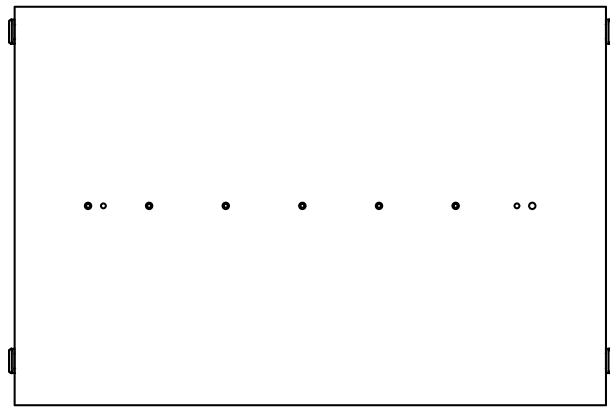
Clean the white laminate surface periodically with cloth. Do not scratch or chip the finish. Do not use abrasive chemicals for cleaning. Clean non-laminate surfaces with mild soap on a soft rag. Rinse and dry thoroughly. If you ever refinish this furniture, be sure to use only a non-toxic finish specified for children's furniture.

KEEP INSTRUCTIONS FOR FUTURE USE

WHAT'S IN THE BOX:



A (x2)
side



B
top

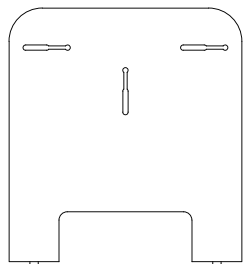


C
center stretcher

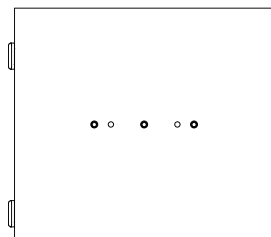


D
hammer cap

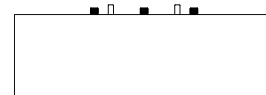
INCLUDED WITH PLAYSTOOL PURCHASE ONLY:



E (x8)
side



F (x4)
seat



G (x4)
stretcher

WHAT YOU'LL NEED:



household hammer



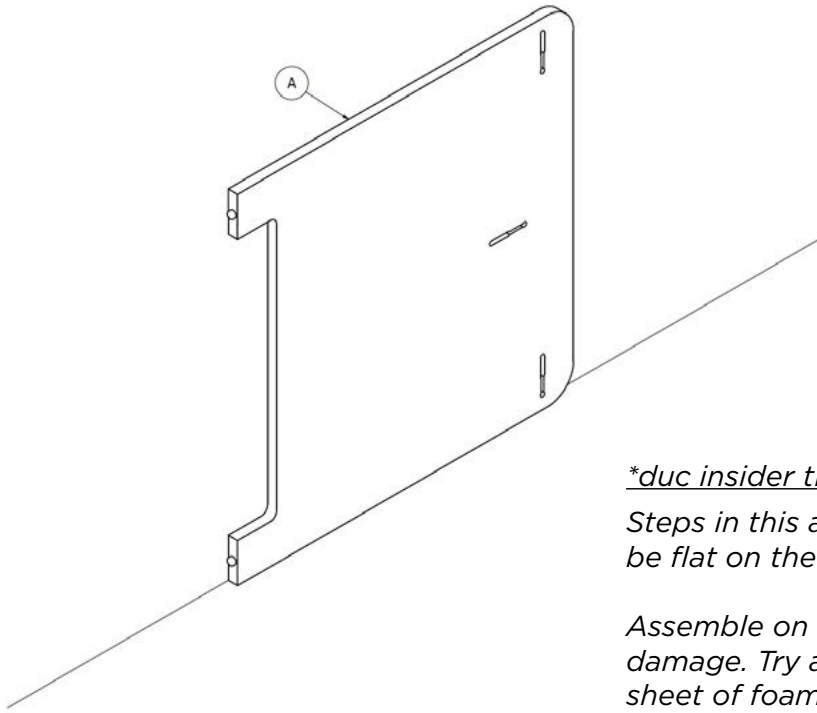
**10 minutes
(or less)**



**2 people + a dog for moral support
(unless you're a cat person)**

1

Lean A against the wall.



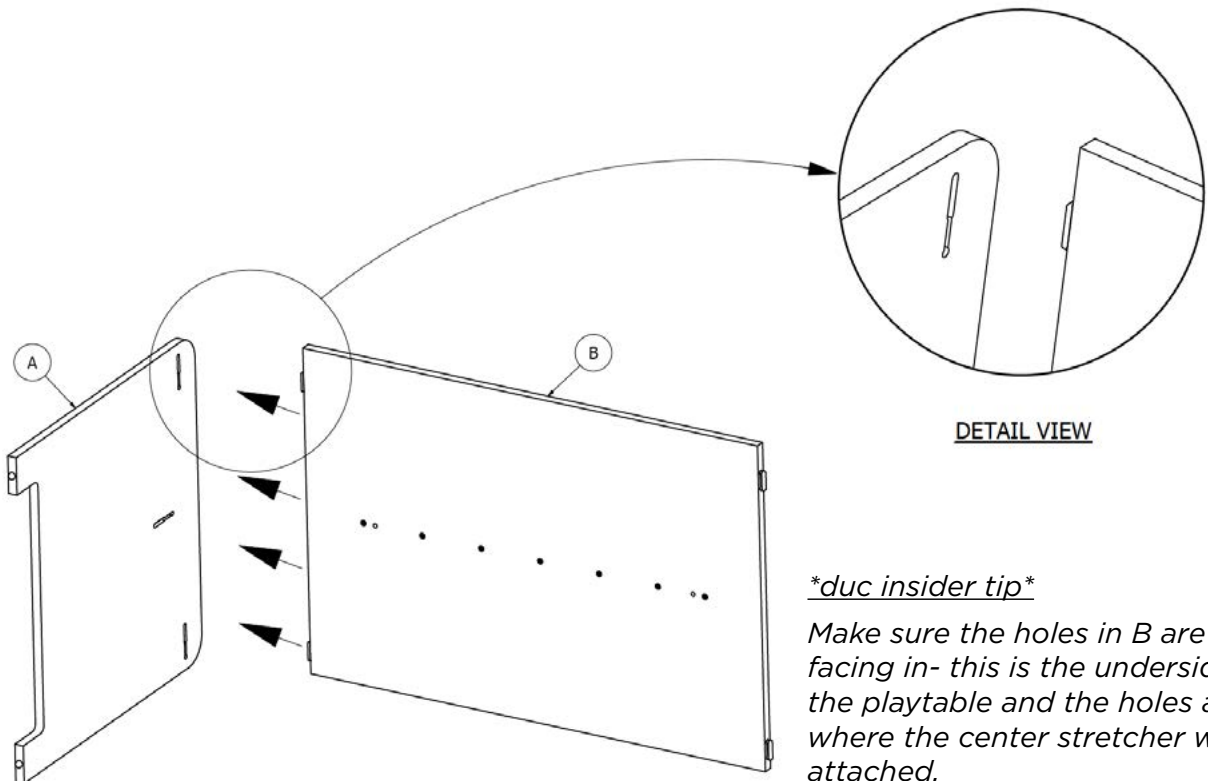
duc insider tip

Steps in this assembly will require parts to be flat on the floor.

Assemble on a soft surface to prevent any damage. Try a rug, a blanket, or even a sheet of foam from the packaging!

2

Insert B connectors into slots on A.



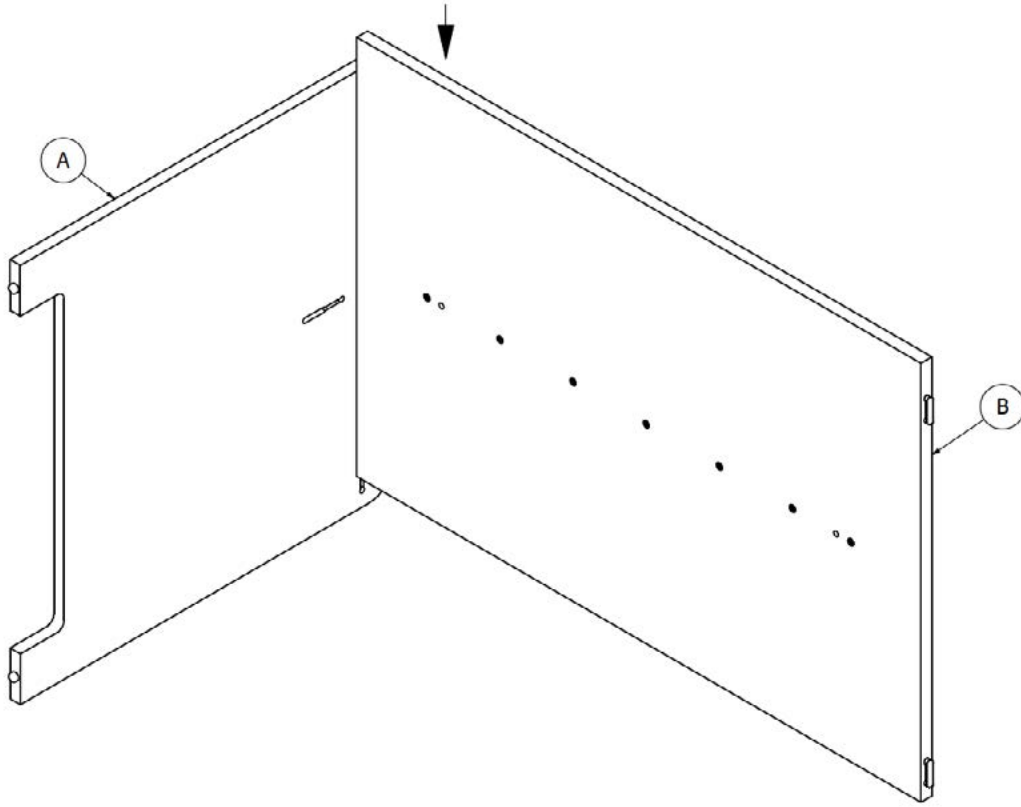
DETAIL VIEW

duc insider tip

Make sure the holes in B are facing in- this is the underside of the playtable and the holes are where the center stretcher will be attached.

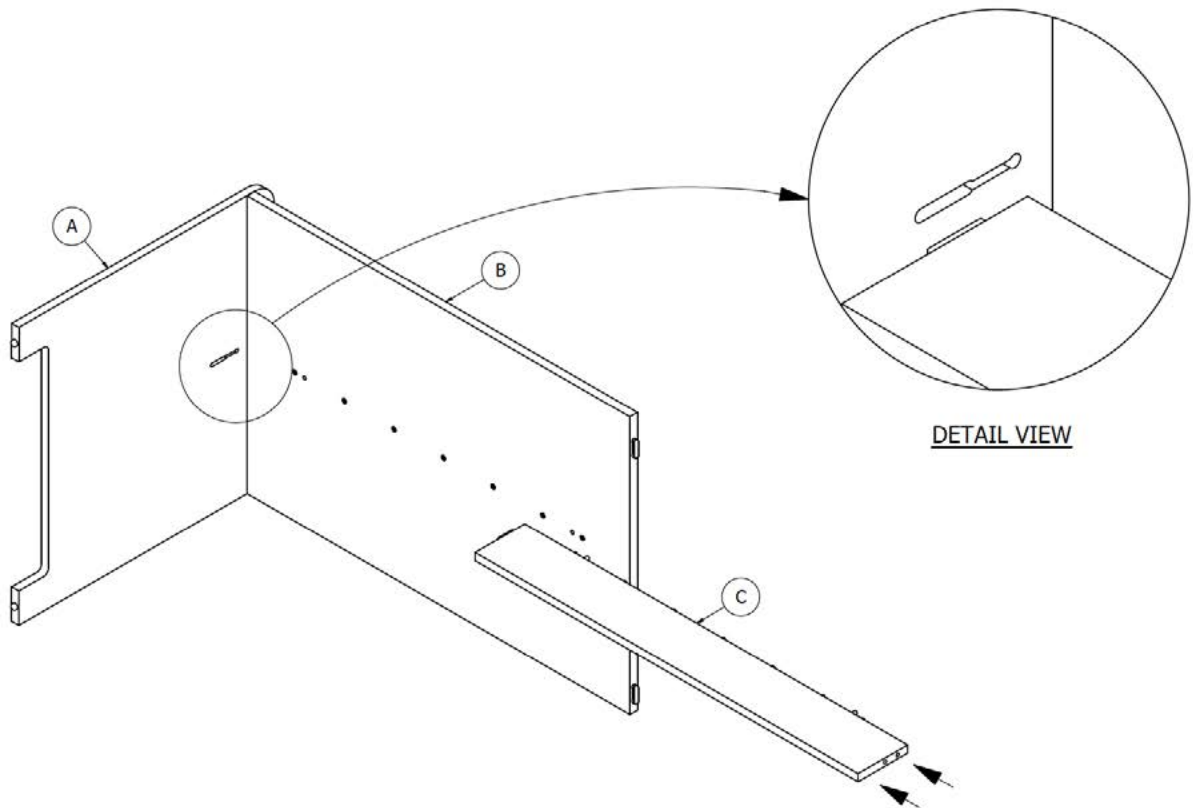
3

Push B down to lock connectors into place.



4

Insert connector on C into remaining slot on A.

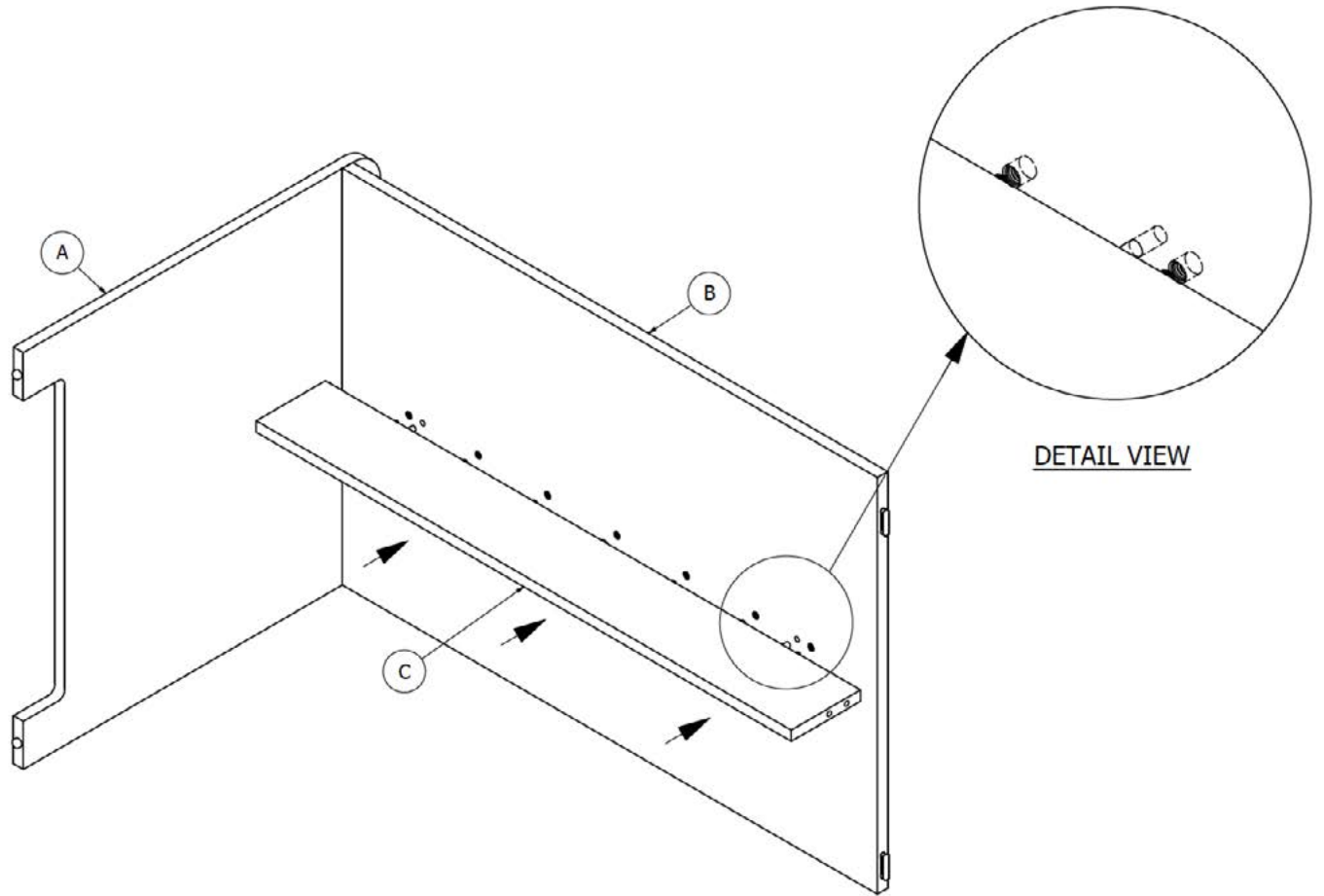


5

Gently push C toward B so the connectors line up with the holes.

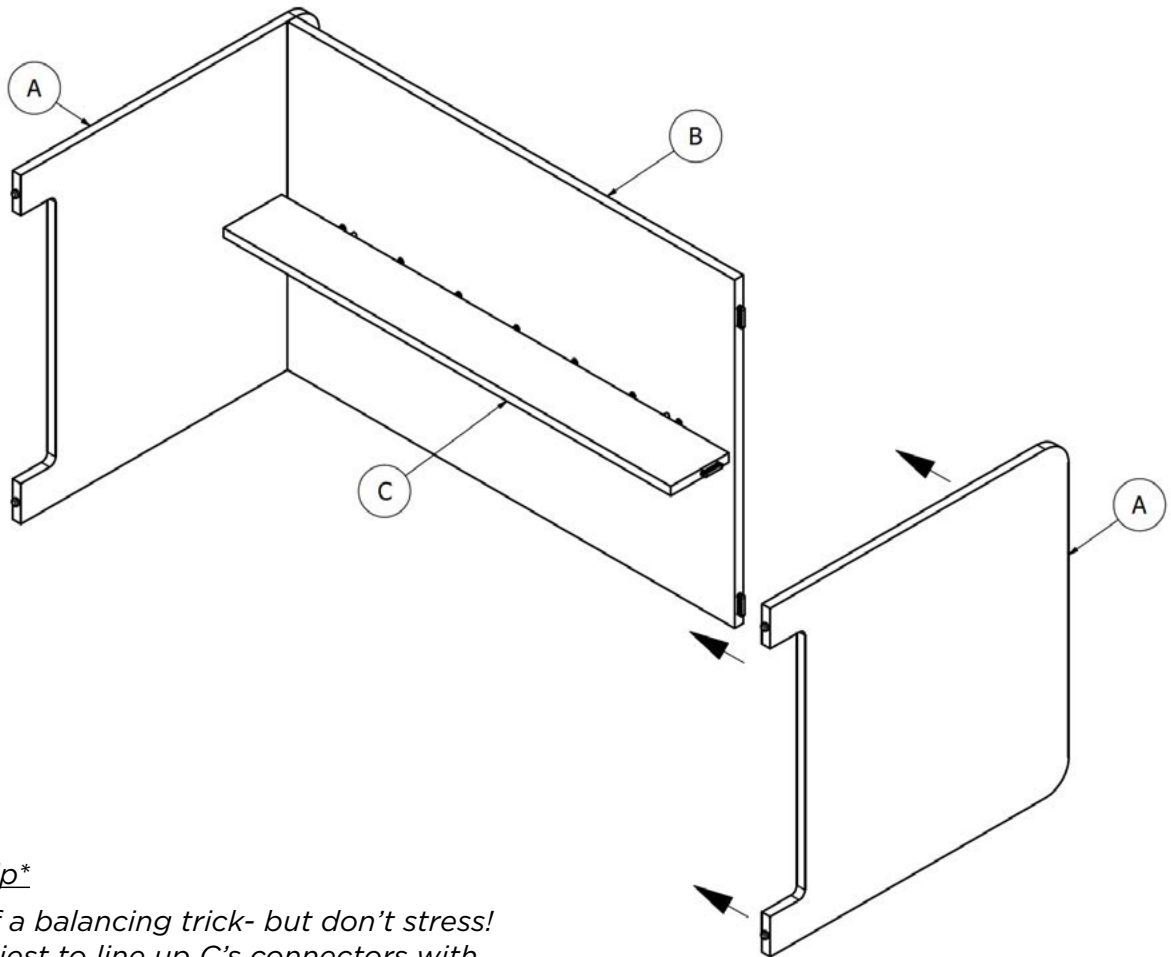
important note

Make sure *NOT* to push C in all the way. Have a friend hold C in place while you prepare for the next step. If C is not held in place, it can drop to the floor + splinter the connection.



6

Insert connectors on B + C into the slots of remaining part A.

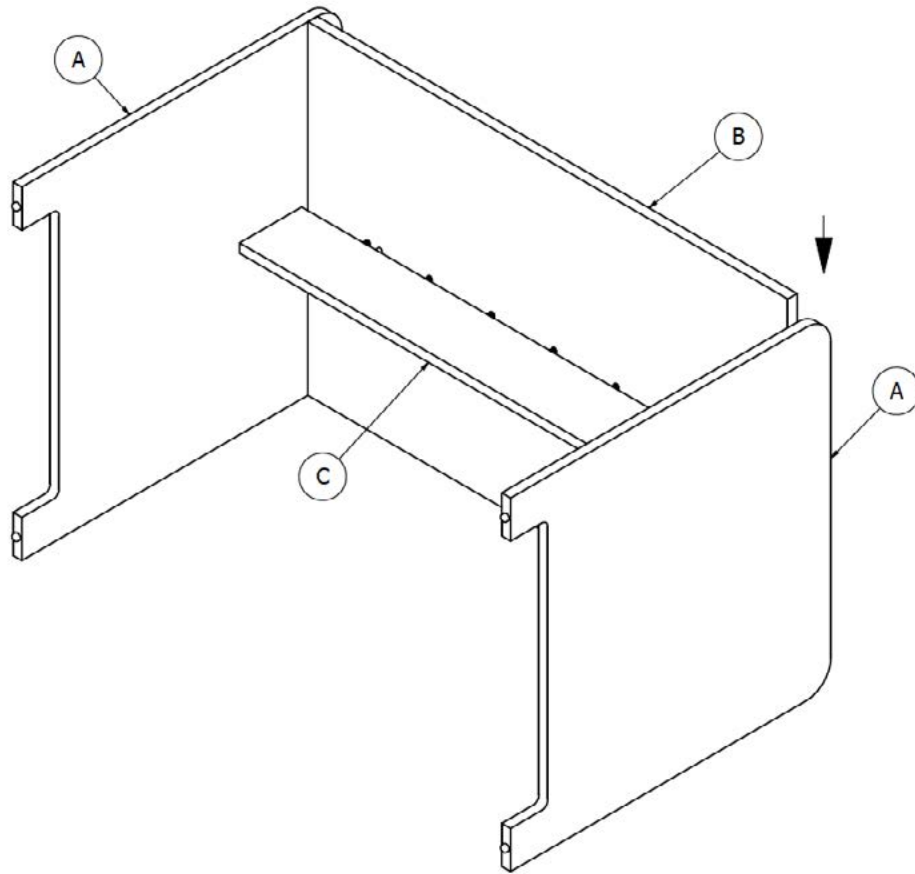


duc insider tip

*This is a bit of a balancing trick- but don't stress!
We find it easiest to line up C's connectors with
A's slot first. Once that is in place, then line up B's
connectors with A's slots!*

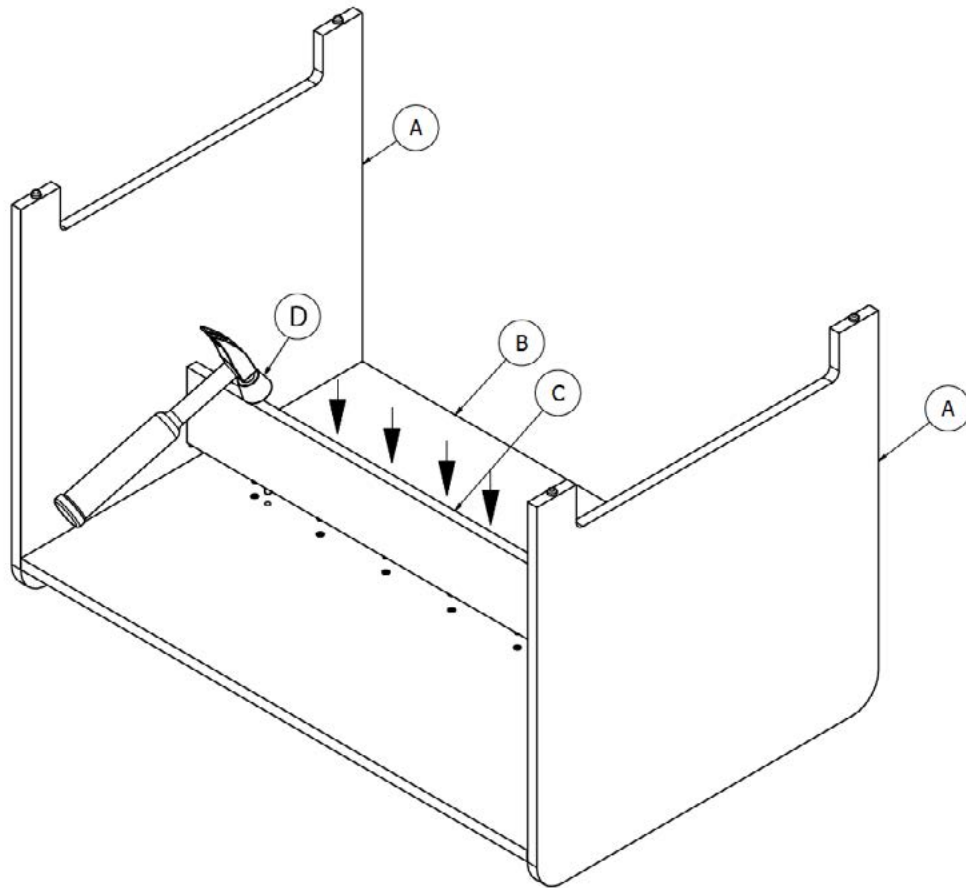
7

Push B down to lock connectors into place.



8

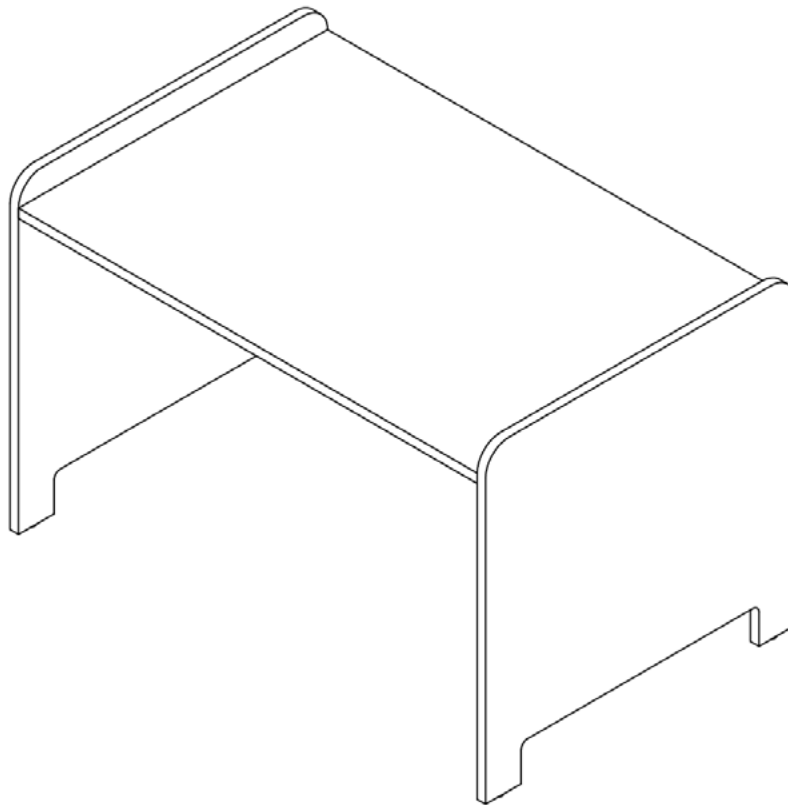
Flip the playtable so the legs are facing up as shown. Apply the hammer cap (D) to the end of your own hammer. Tap C with the protected hammer until there is no gap at the seam to secure into place.



duc insider tip

Don't be afraid to apply a good amount of force when hammering the stretchers into place- as long as you use the hammer cap the stretcher edge will be protected! We recommend 2-3 strong taps in focused locations (try both ends and the center of the stretcher to start).

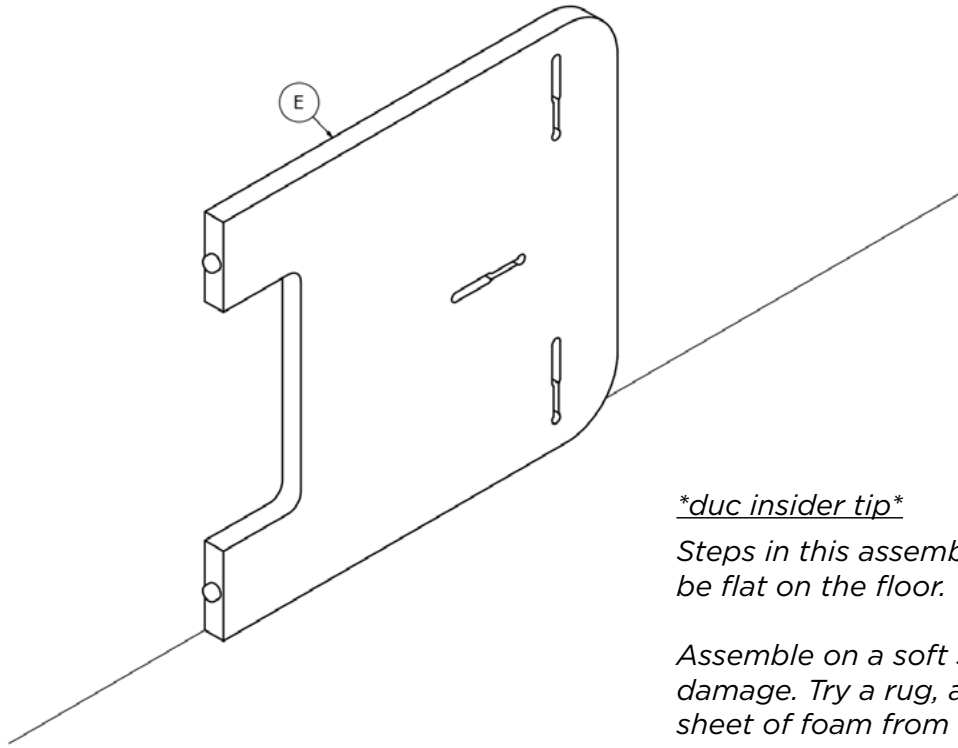
presto! playable complete!



CONTINUE FOR PLAYSTOOL ASSEMBLY

1

Lean E against the wall.



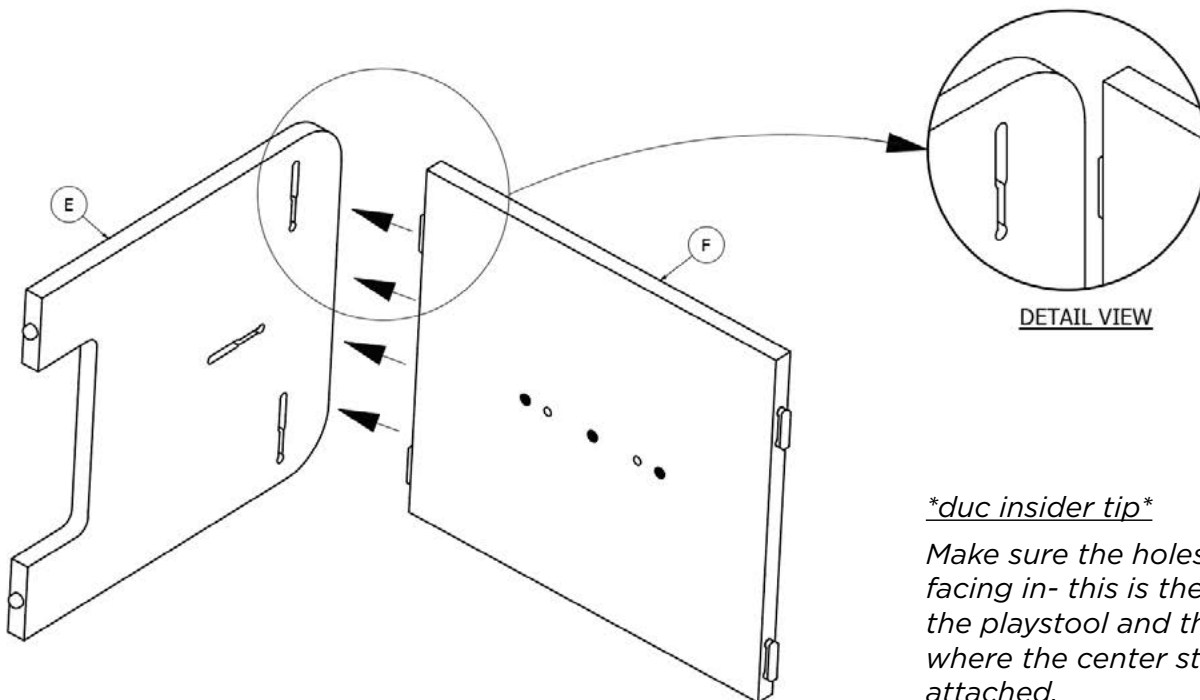
duc insider tip

Steps in this assembly will require parts to be flat on the floor.

Assemble on a soft surface to prevent any damage. Try a rug, a blanket, or even a sheet of foam from the packaging!

2

Insert F connectors into slots on E.

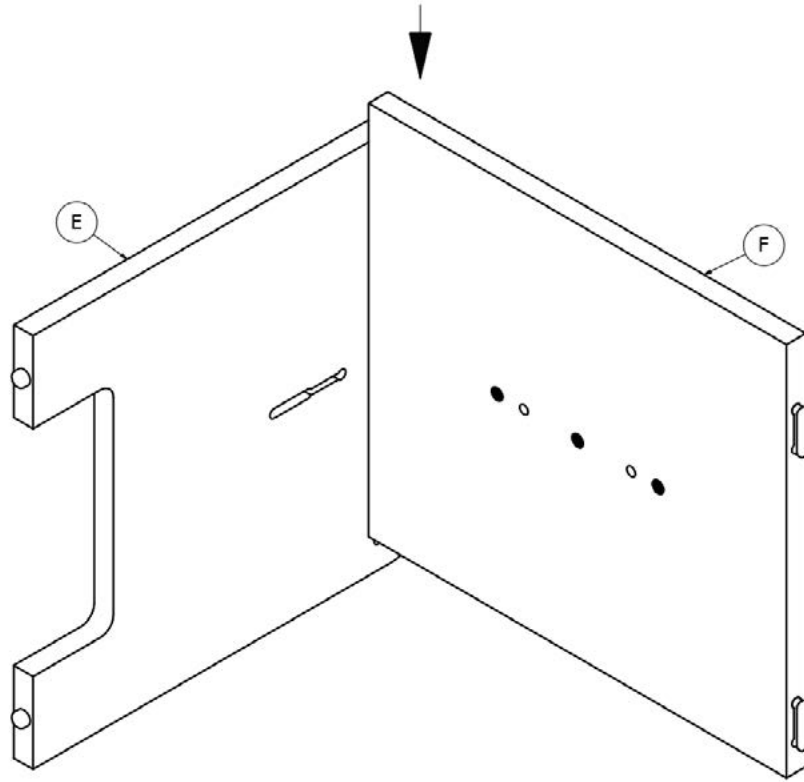


duc insider tip

Make sure the holes in F are facing in- this is the underside of the playstool and the holes are where the center stretcher will be attached.

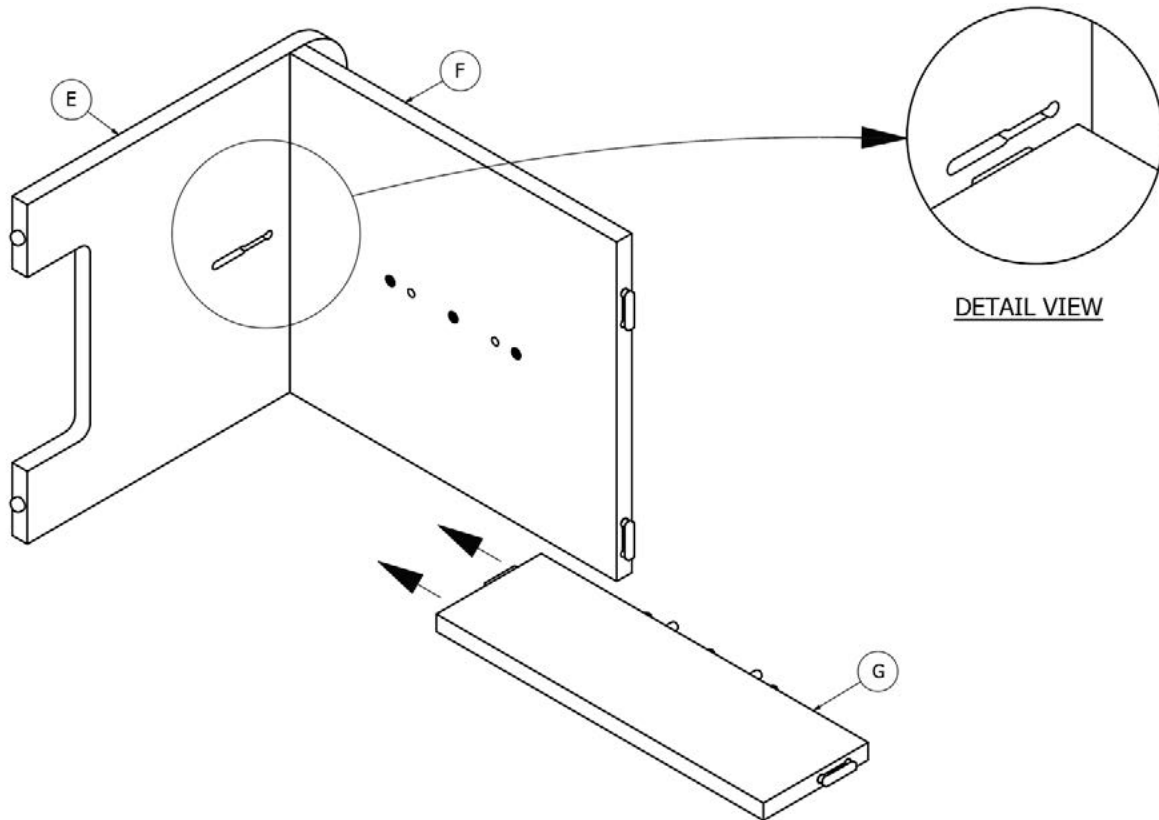
3

Push F down to lock connectors into place.



4

Insert connector on G into remaining slot on E.

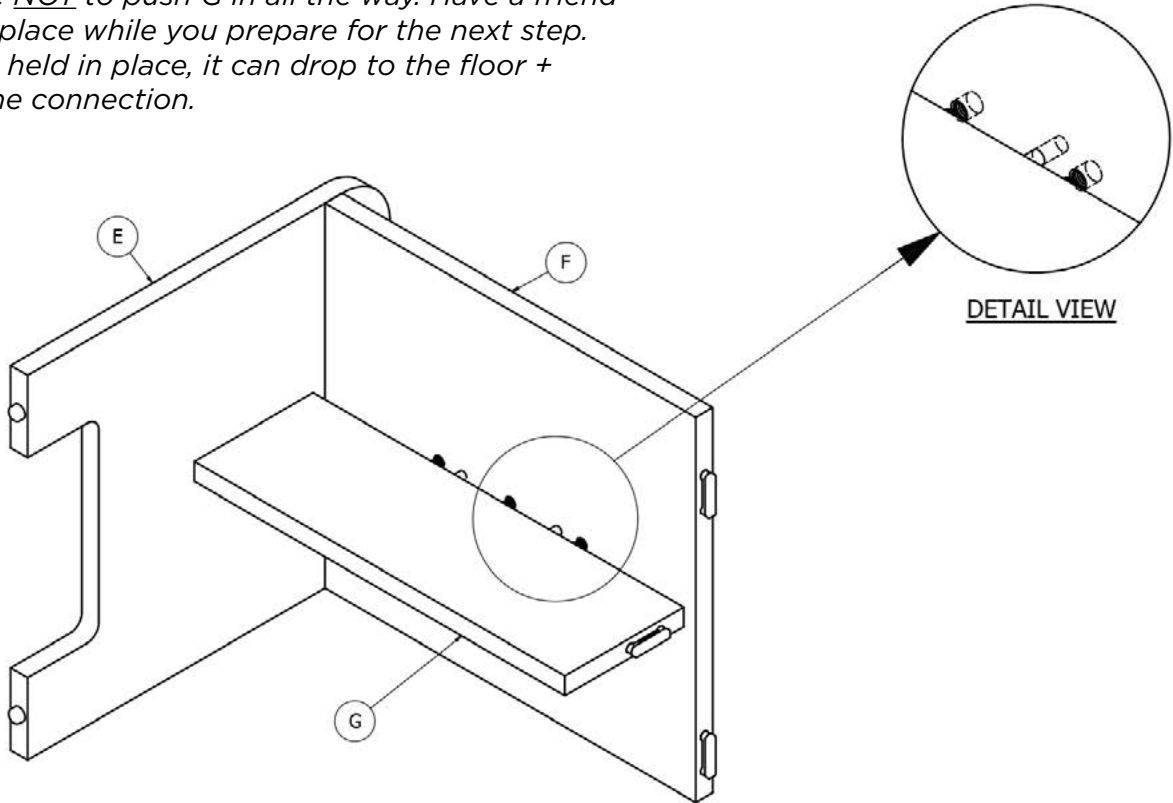


5

Gently push G toward F so the connectors line up with the holes.

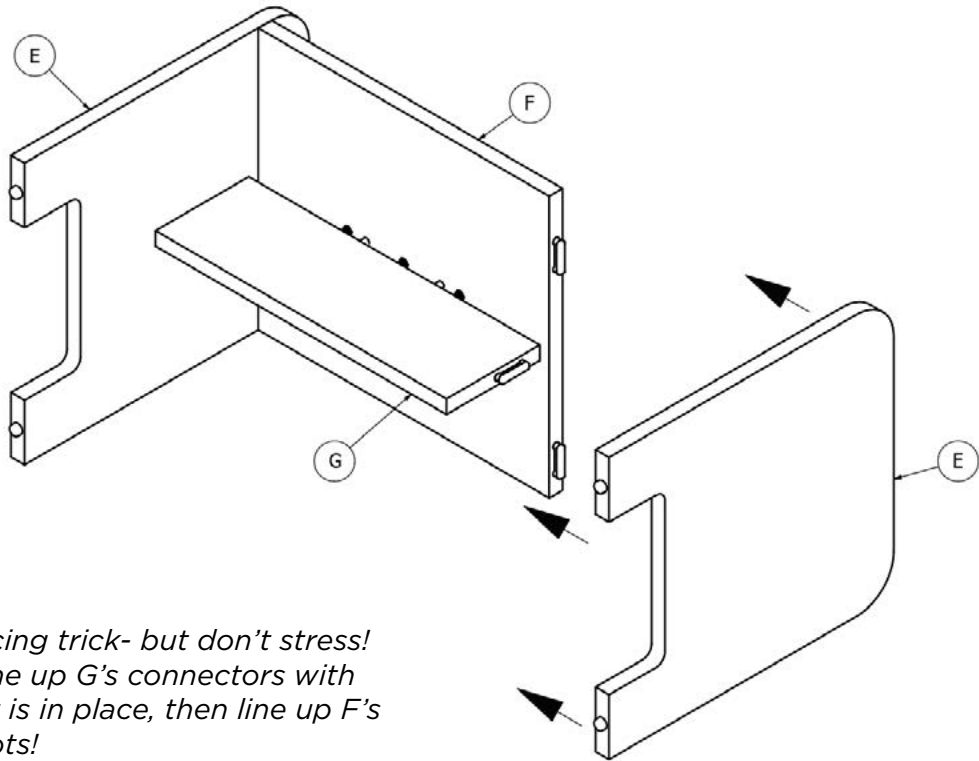
important note

Make sure NOT to push G in all the way. Have a friend hold G in place while you prepare for the next step. If G is not held in place, it can drop to the floor + splinter the connection.



6

Insert connectors on F + G into the slots of remaining part E.

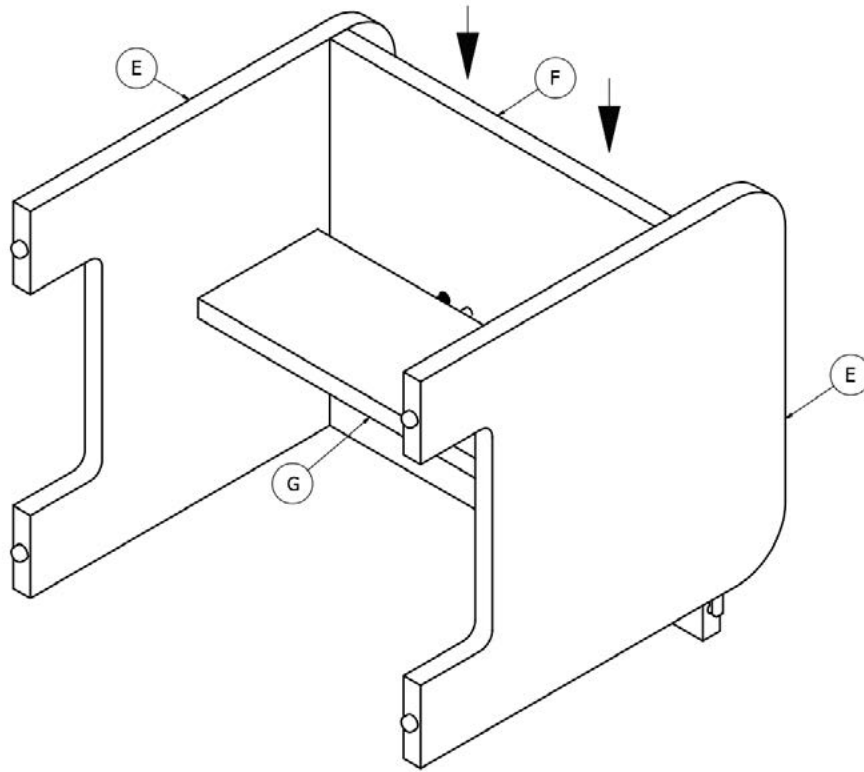


duc insider tip

This is a bit of a balancing trick- but don't stress! We find it easiest to line up G's connectors with E's slot first. Once that is in place, then line up F's connectors with E's slots!

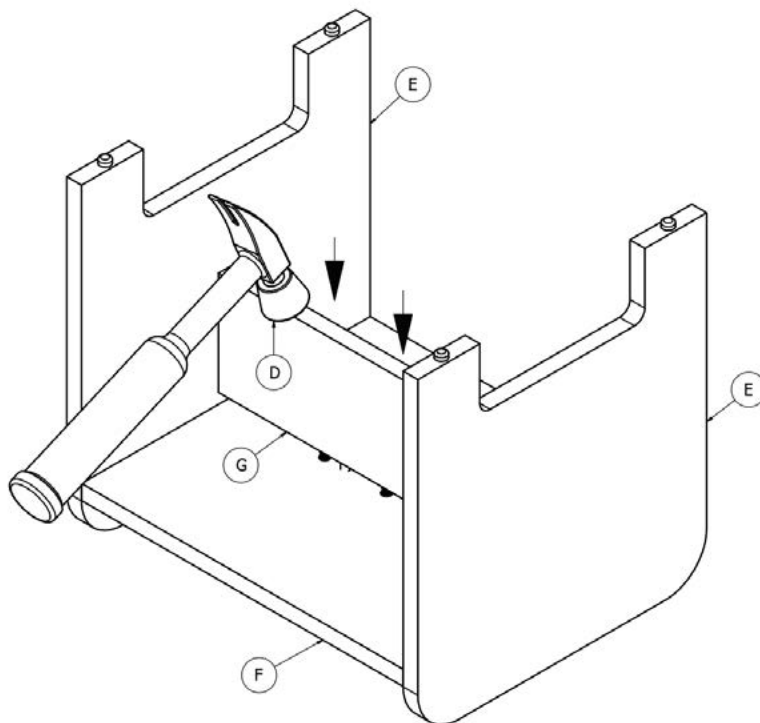
7

Push F down to lock connectors into place.



8

Flip the playstool so the legs are facing up as shown. Apply the hammer cap (D) to the end of your own hammer. Tap G with the protected hammer until there is no gap at the seam to secure into place. **Repeat steps 1 - 8 to complete the remaining 3 stools.**

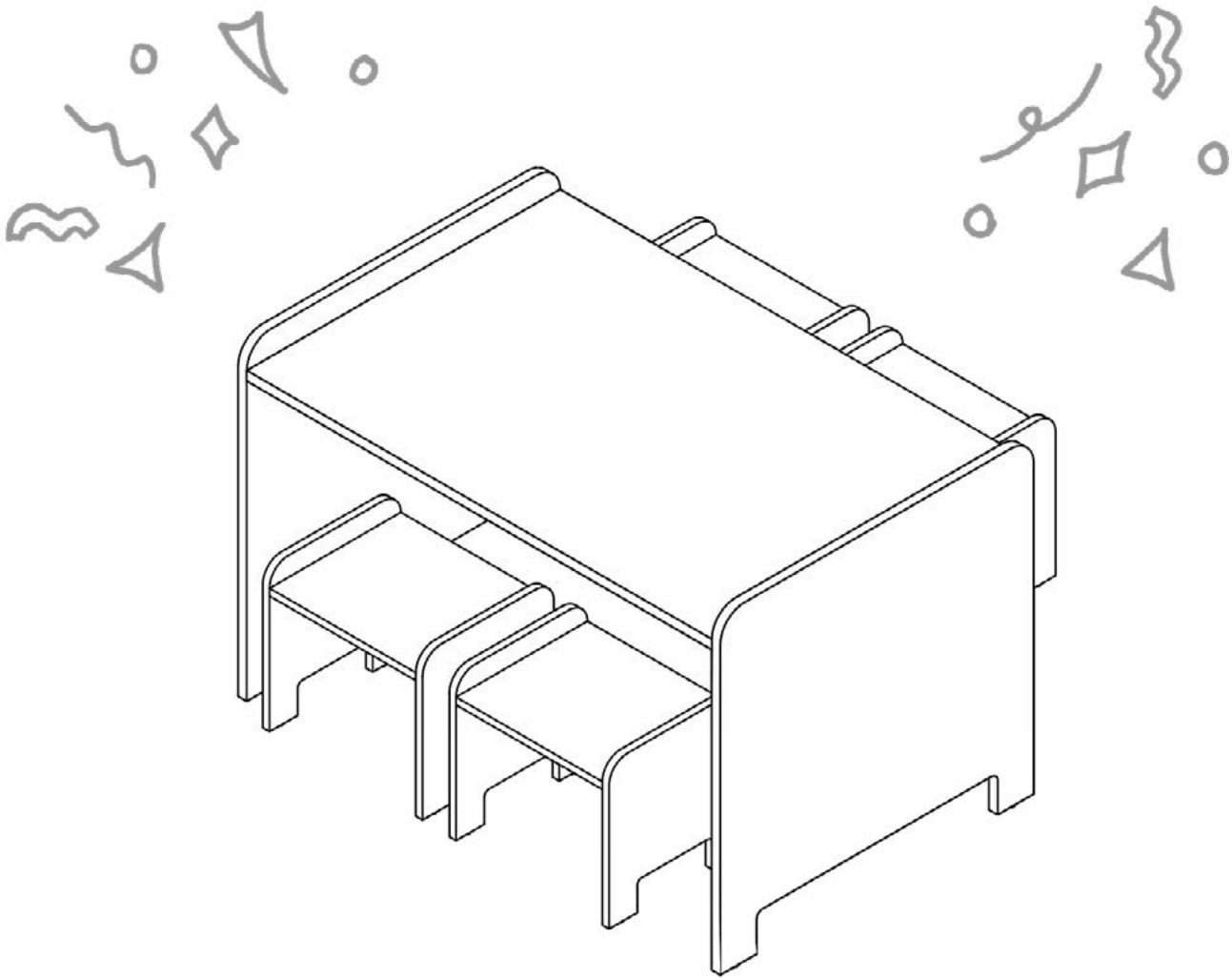


duc insider tip

Don't be afraid to apply a good amount of force when hammering the stretchers into place- as long as you use the hammer cap the stretcher edge will be protected! We recommend 2-3 strong taps in focused locations (try both ends and the center of the stretcher to start).

okay, now you're really done!

give yourself a pat on the back, take a bow,
or go home a pint of ice cream...we don't judge.



prefer to talk to a human instead? we're here for you!

contact our customer advocate team below



212.226.1868



quack@ducducnyc.com



live chat at
ducducnyc.com



200 lexington, no. 701
ny, ny 10016