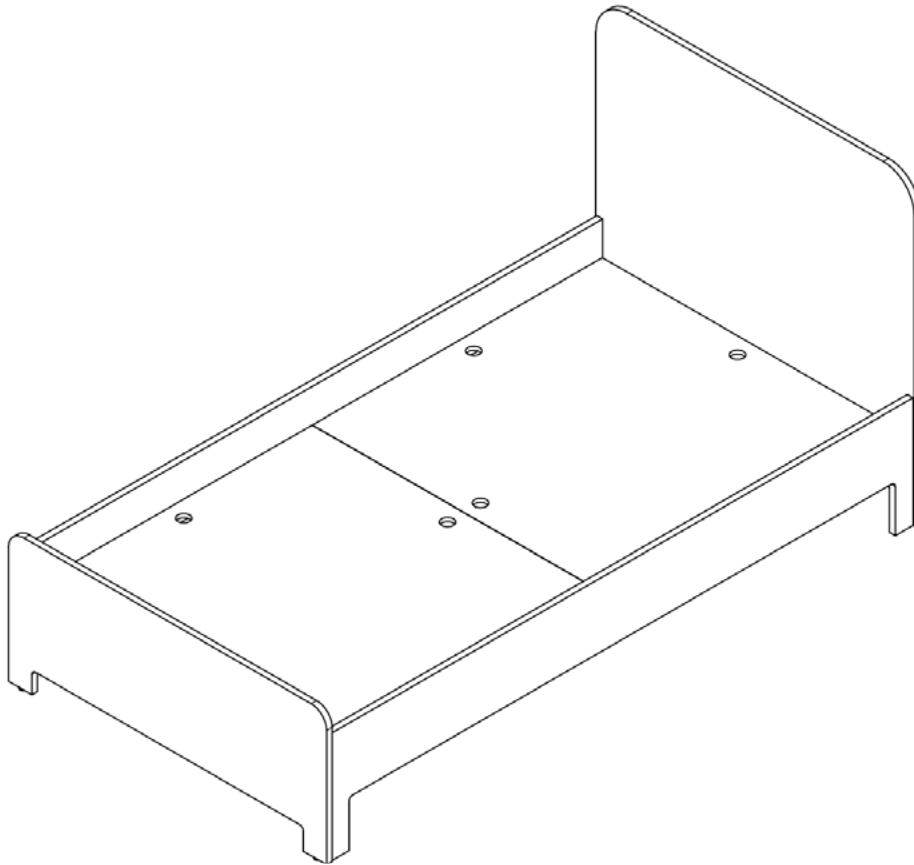


ASSEMBLY INSTRUCTIONS

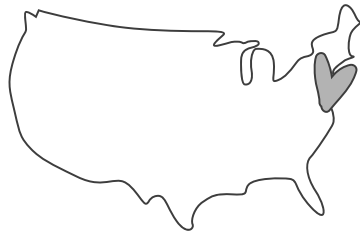
juno twin bed

a how-to guide that won't leave you in tears.

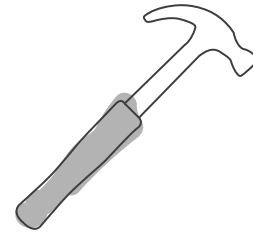


parenting is hard
this is easy

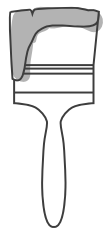
no really, it is



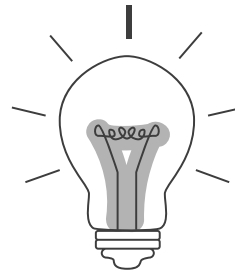
MADE HERE™



MADE WELL™



MADE SAFE



MADE SMART

want to watch this assembly IRL?

(acronym challenged? that means in real life)



open the camera on your phone and place it over the QR code below to see our NYC studio dream team do all the heavy lifting (just kidding, there is none!)



or go to ducdcnyc.com/assembly-instructions

**thank you for selecting a
studio duc product!**

Please check contents against the components list in these instructions. Also, please ensure there was no damage that may have occurred in shipping.

If any components are missing or you find any damage, please contact ducduc before continuing.

A minimum of two people are required to safely assemble and move the bed. Do not attempt to move this bed alone. Dragging or sliding it across floor may cause the surface to scratch or structural damage.

Read all the instructions before use.

MAINTENANCE:

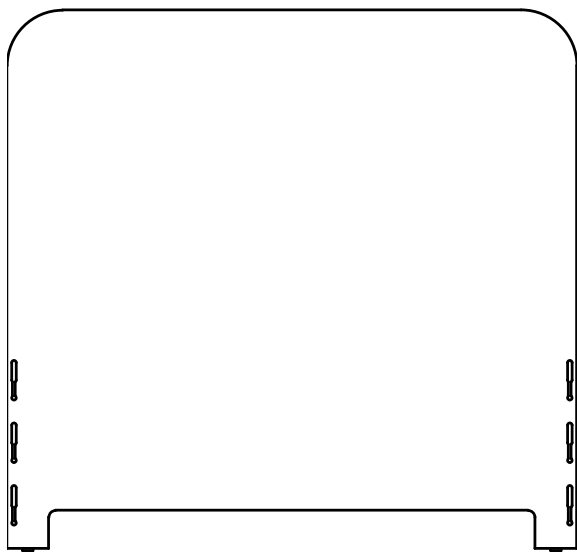
Please remember to securely tighten all connectors, and periodically check to make sure every component is properly and securely in place.

CLEANING:

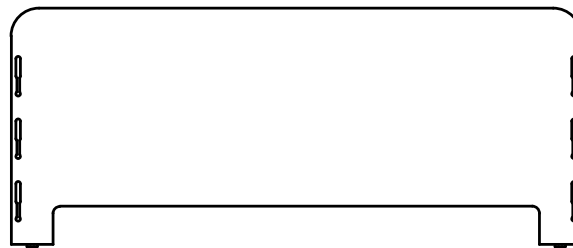
Do not scratch or chip the finish. Do not use abrasive chemicals for cleaning. Clean with mild soap on a soft rag. Rinse and dry thoroughly. If you ever refinish this furniture, be sure to use only a non-toxic finish specified for children's furniture.

KEEP INSTRUCTIONS FOR FUTURE USE

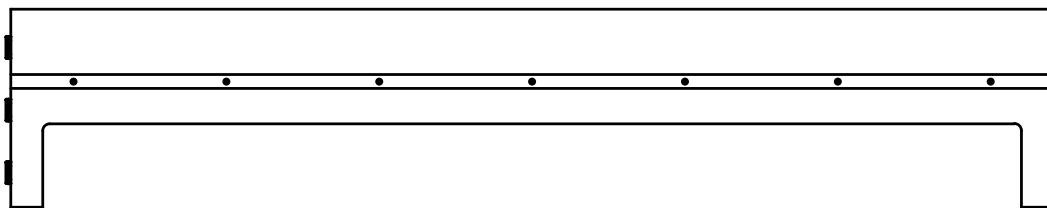
WHAT'S IN THE BOX:



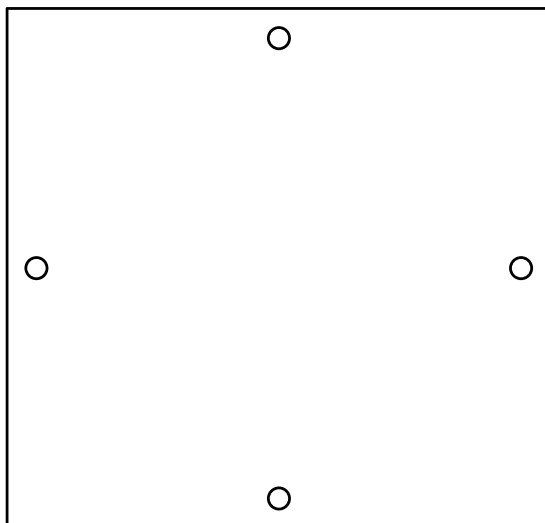
A
head board



C
foot board



B (x2)
side rail



D (x2)
mattress panel

WHAT YOU'LL NEED:



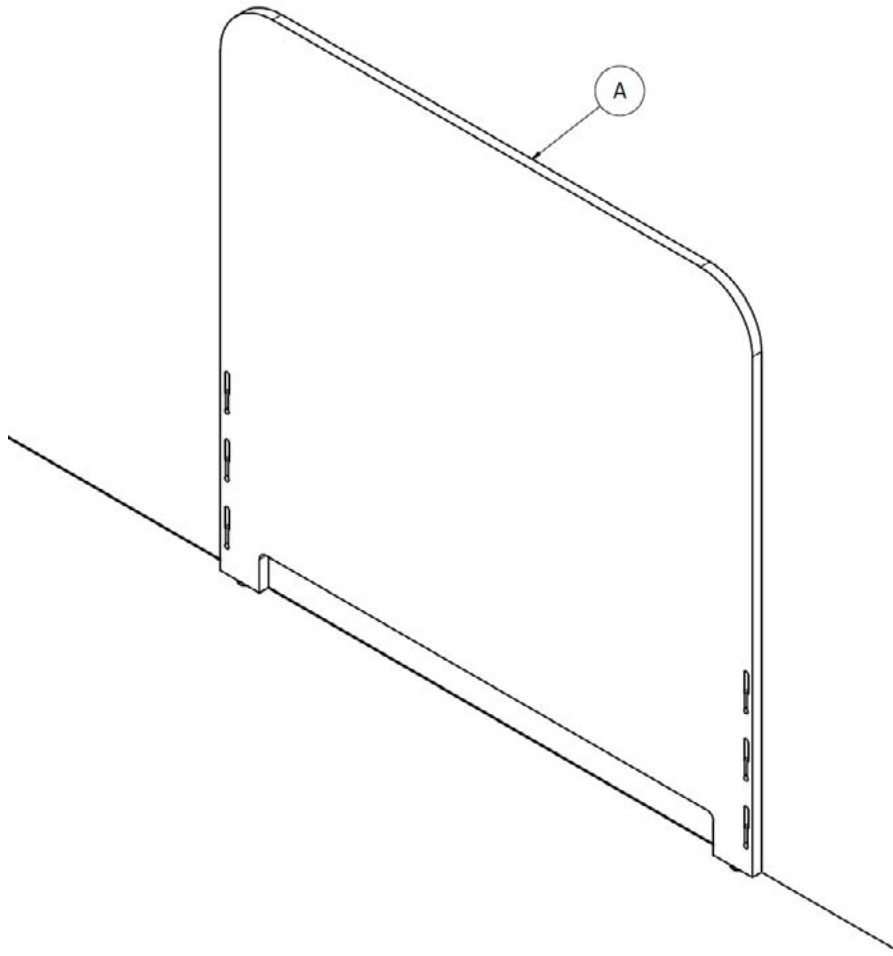
**10 minutes
(or less)**



**2 people
plus a dog for moral support
(unless you're a cat person)**

1

Lean A against the wall.



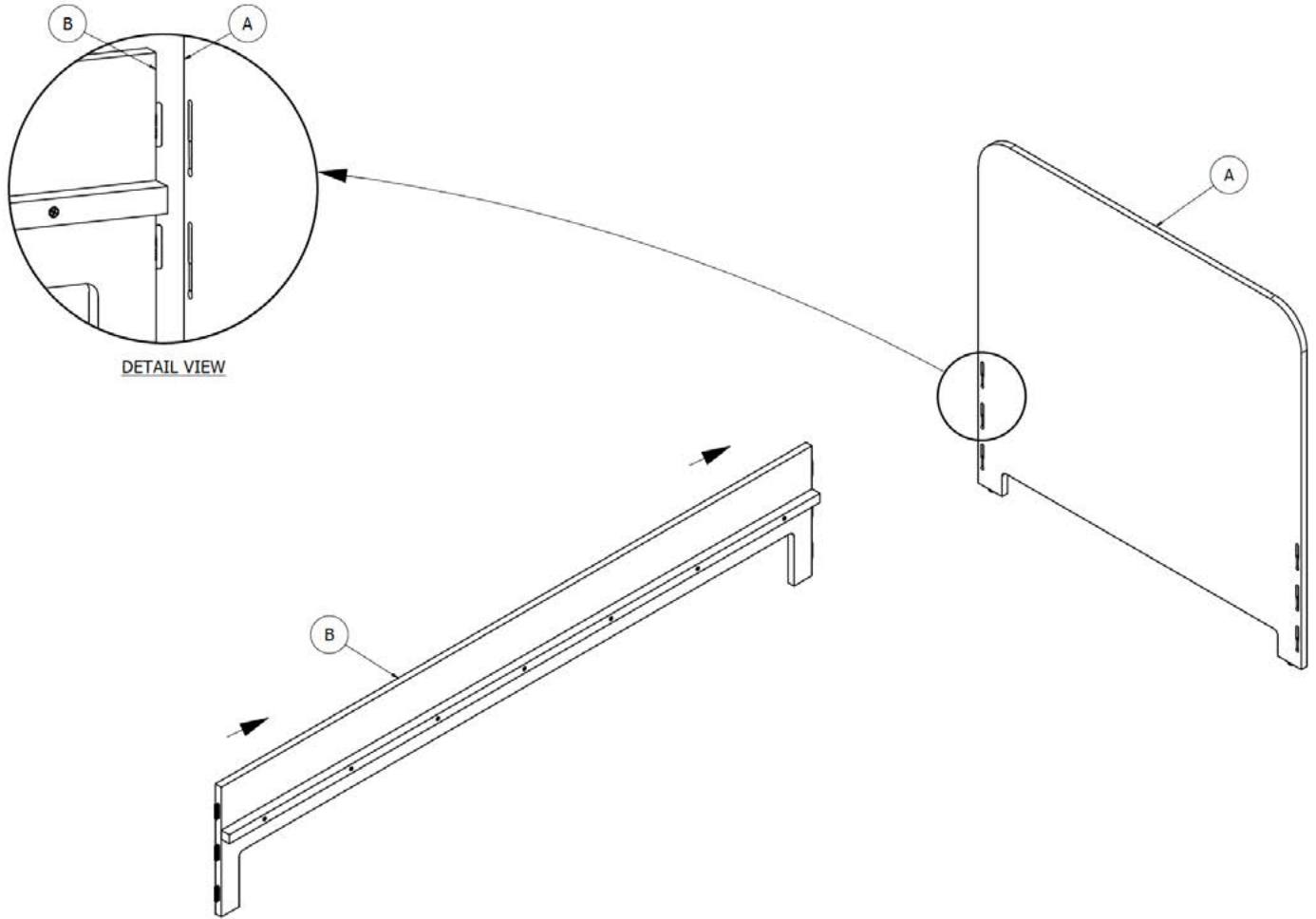
duc insider tip

Steps in this assembly will require parts to be flat on the floor.

Assemble on a soft surface to prevent any damage. Try a rug, a blanket, or even a sheet of foam from the packaging!

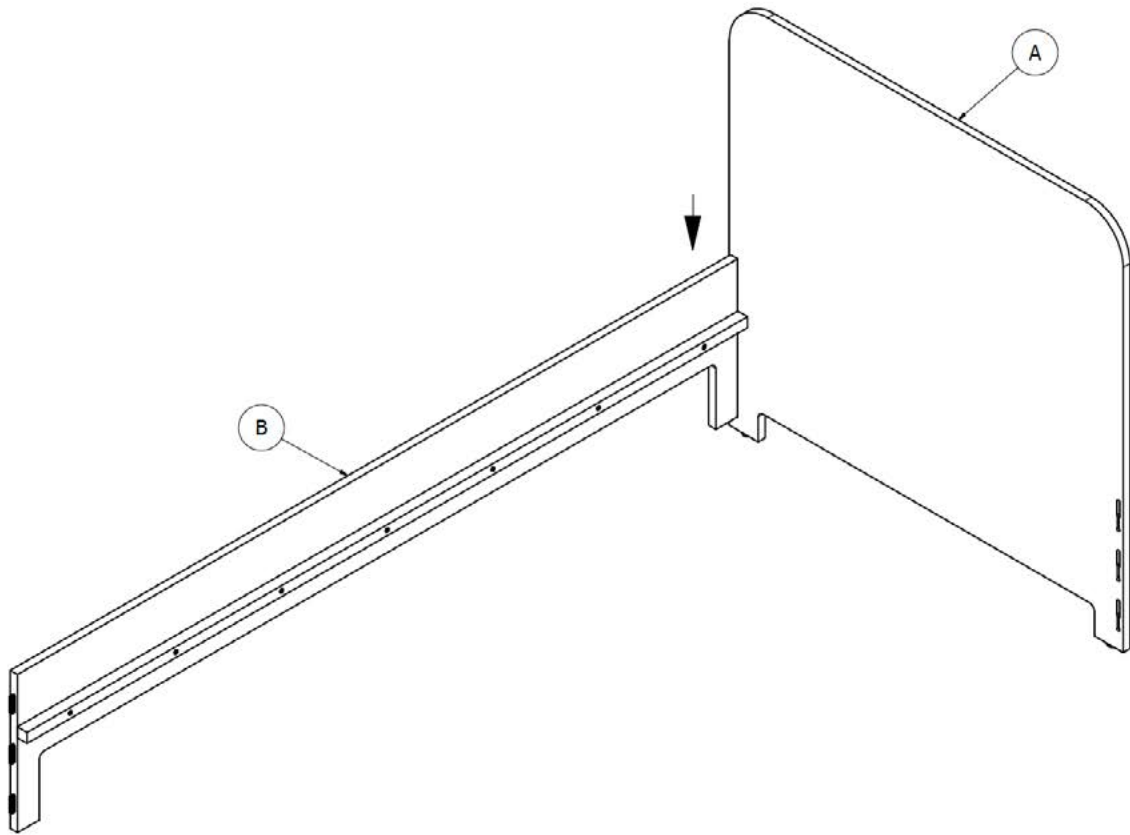
2

Insert B connectors into slots on left side of A.



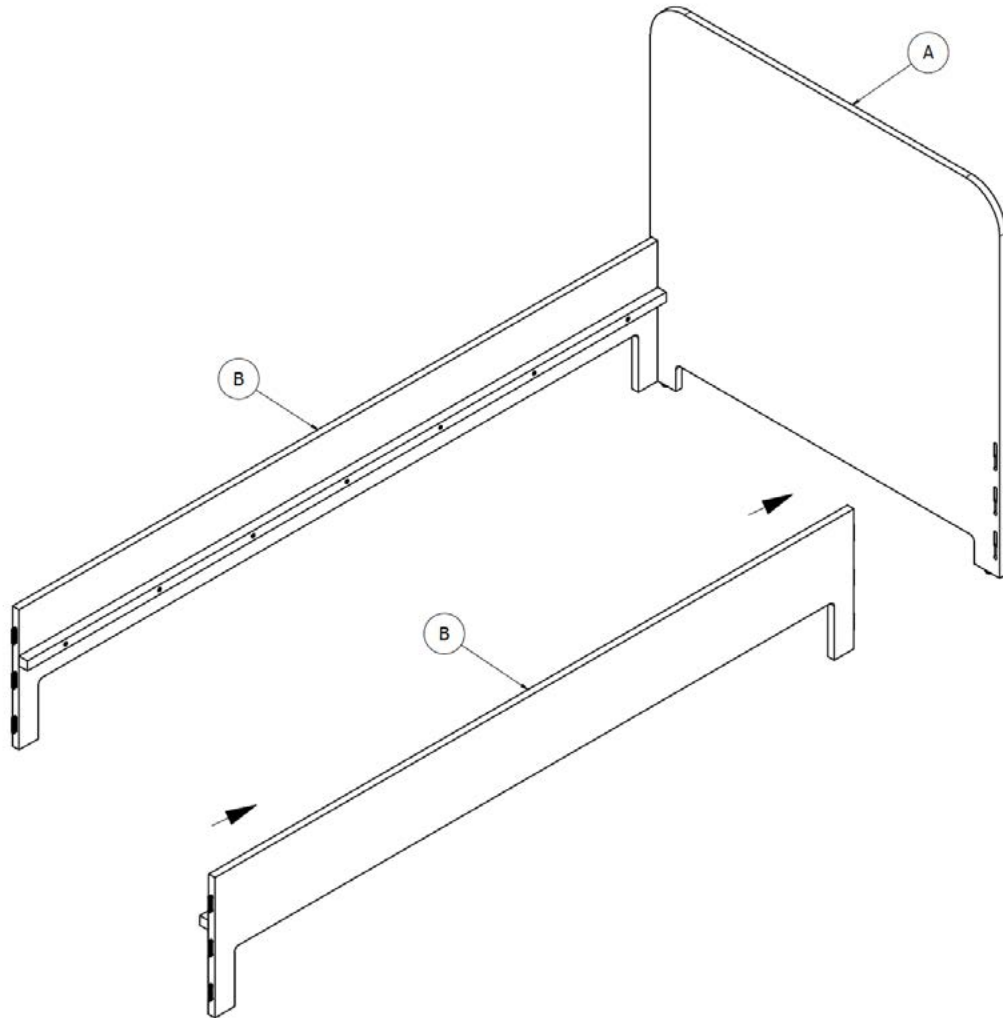
3

Push B down to lock connectors into place.



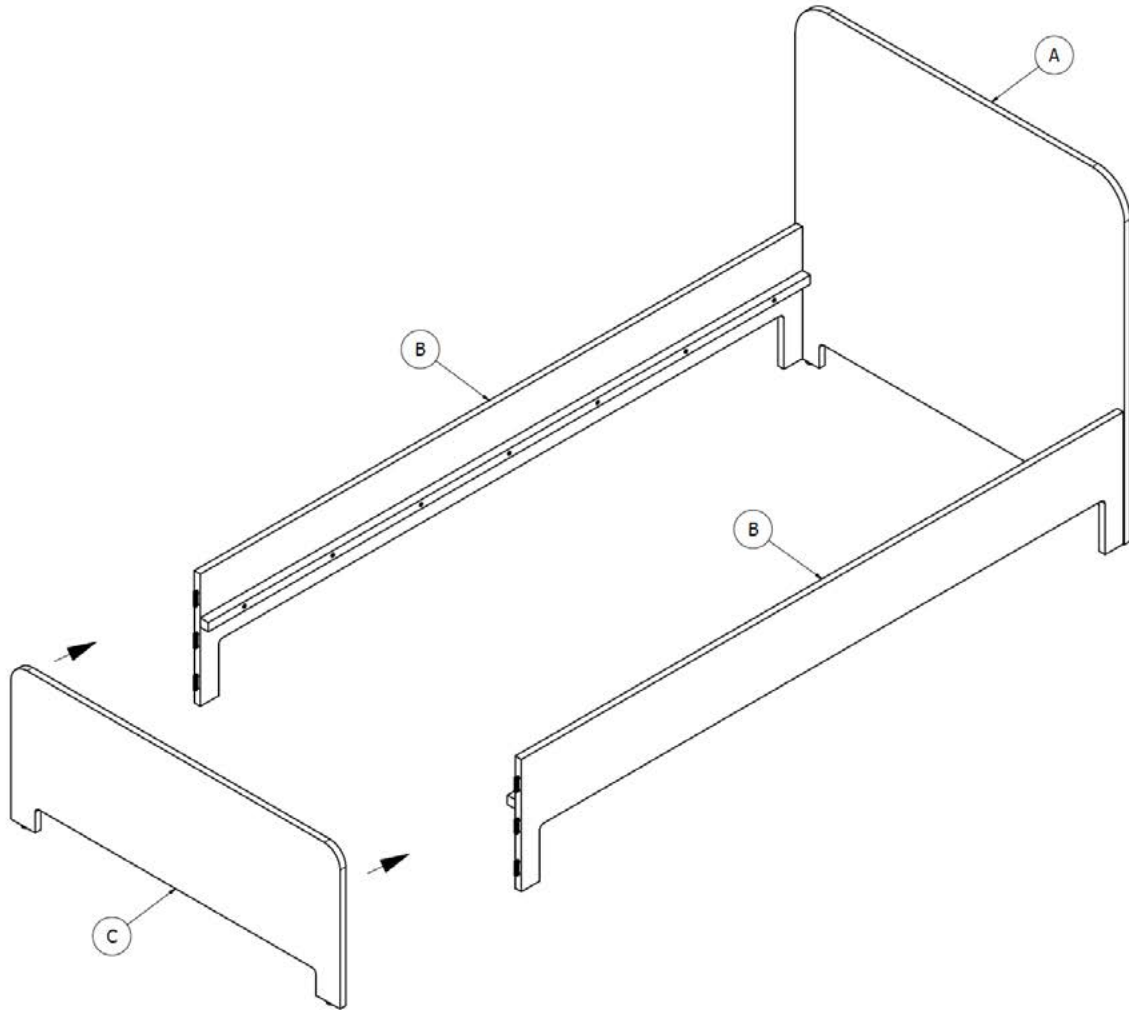
4

Repeat STEPS 2 + 3 to lock remaining part B into place.



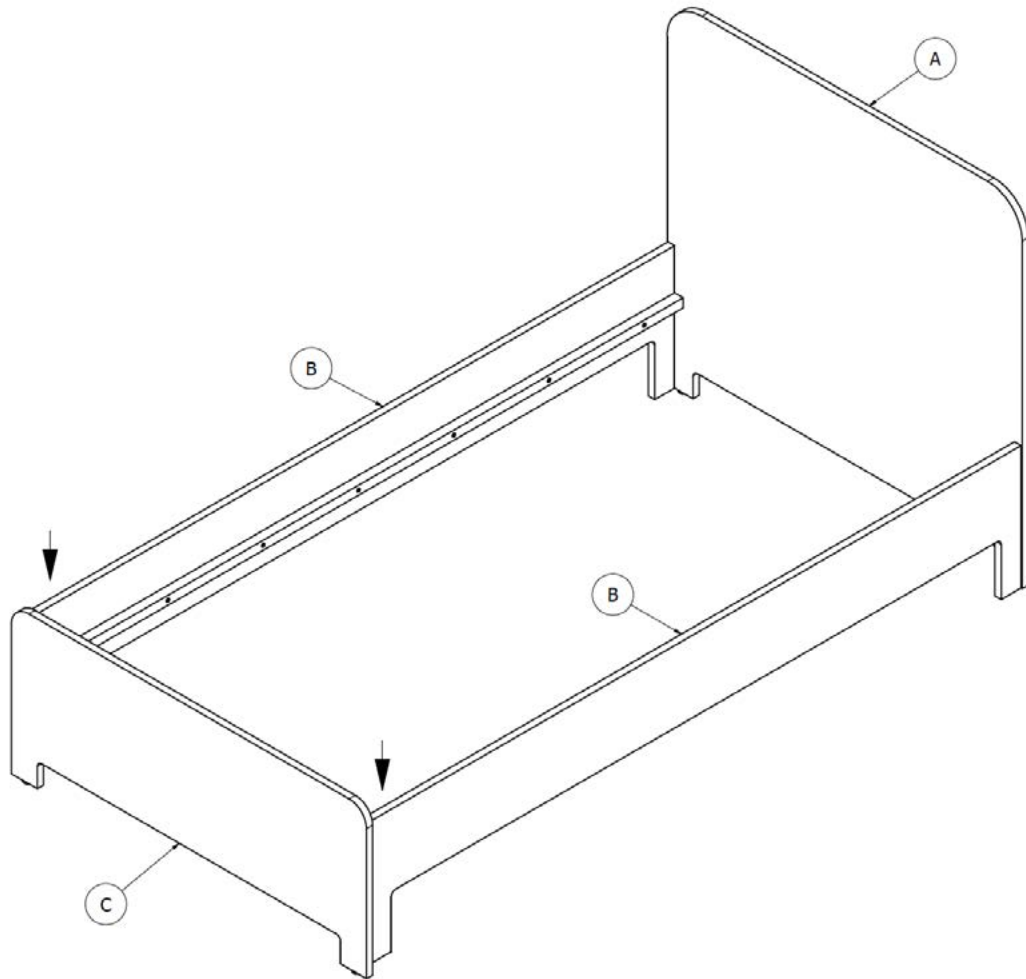
5

Insert connectors on both parts B into slots on C.



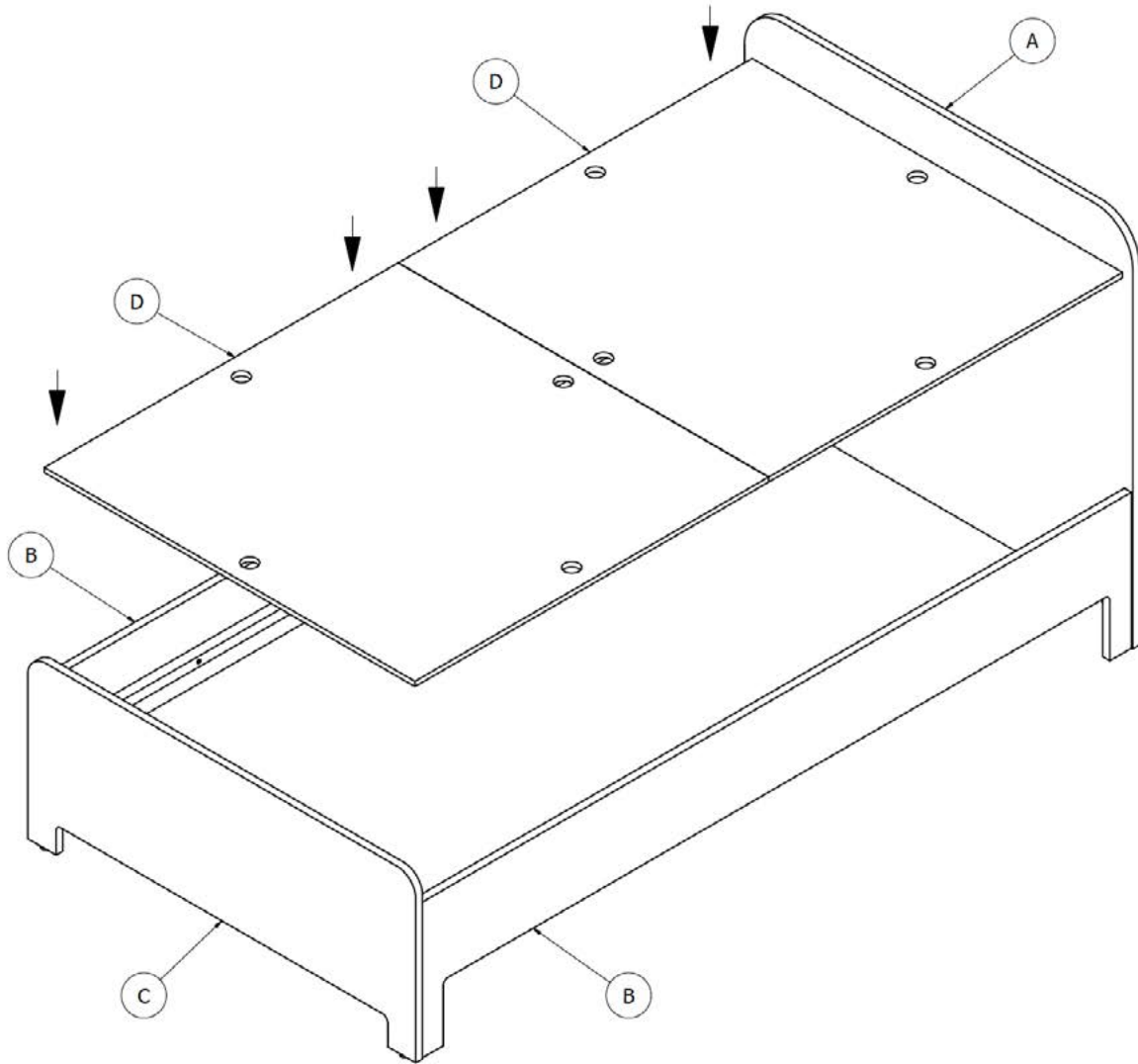
6

Push both parts B down to lock connectors into place.



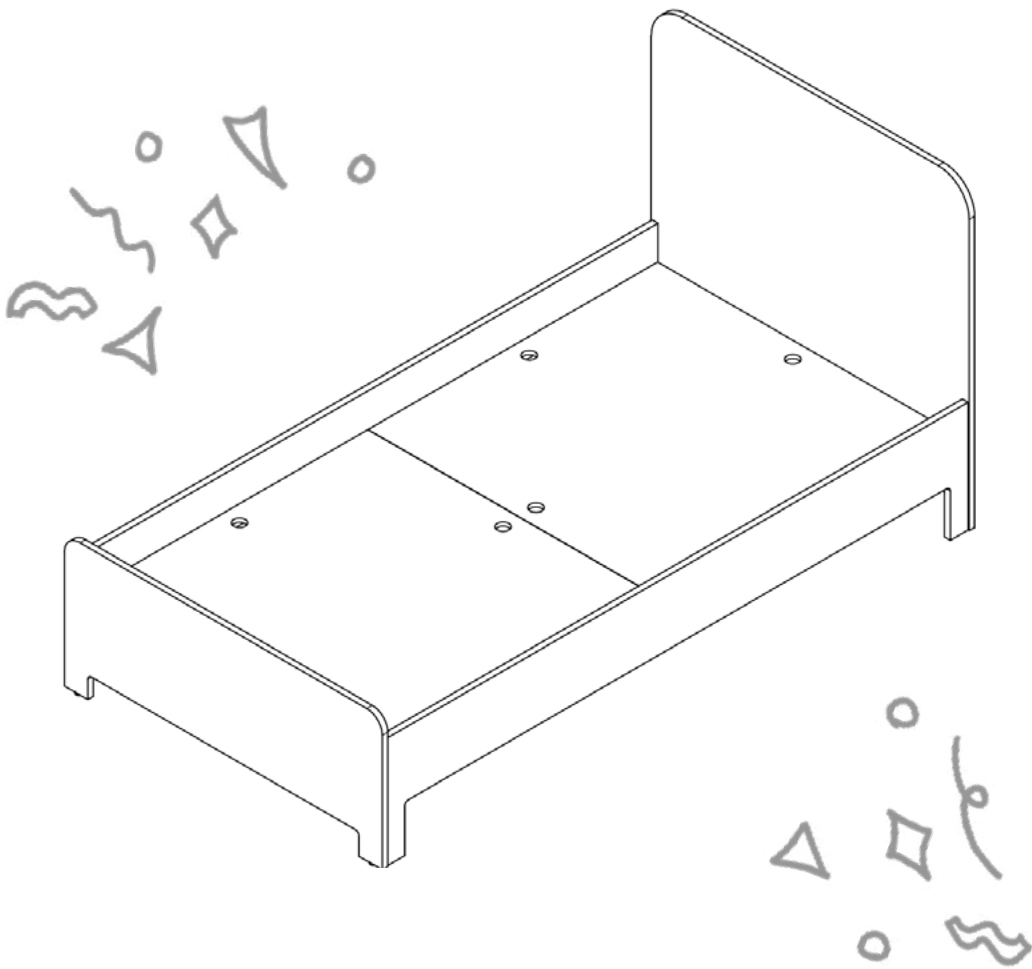
7

Place both parts D so they rest on the supports of B.



ta-da! you did it!

give yourself a pat on the back, take a bow,
or go home a pint of ice cream...we don't judge.



prefer to talk to a human instead? we're here for you!

contact our customer advocate team below



212.226.1868



quack@ducducnyc.com



live chat at
ducducnyc.com



200 lexington, no. 701
ny, ny 10016