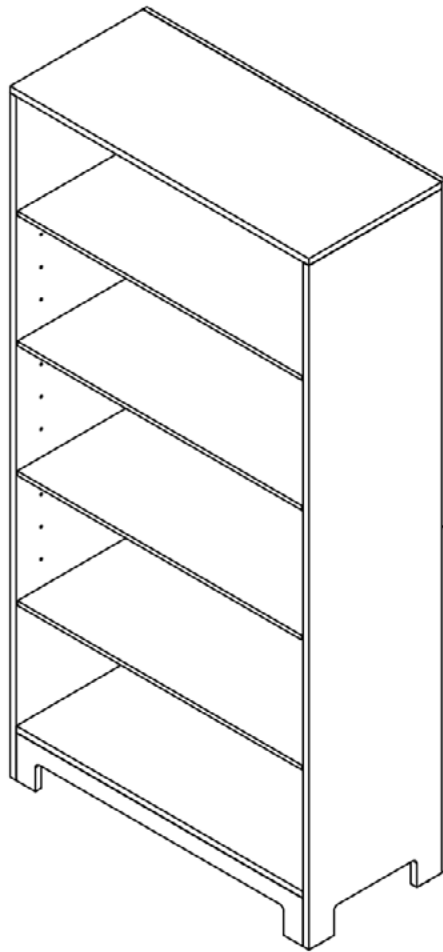




## ASSEMBLY INSTRUCTIONS

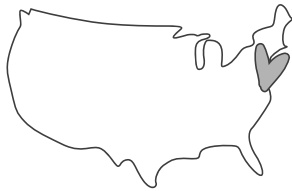
# juno tall bookcase

a how-to guide that won't leave you in tears



parenting is hard.  
**this is easy.**

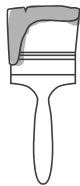
*no really, it is.*



**MADE HERE™**



**MADE WELL™**



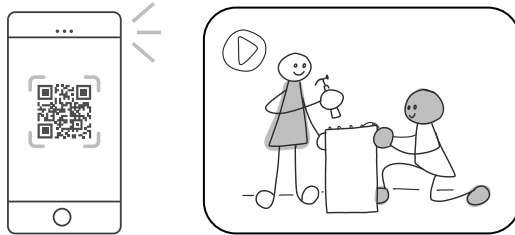
**MADE SAFE**



**MADE SMART**

# want to watch this assembly IRL?

(acronym challenged? that means “in real life”.)



open the camera on your phone and place it over the QR code below to see our NYC studio dream team do all the heavy lifting (just kidding, there is none!)



or go to [ducdcnyc.com/pages/assembly-instructions](http://ducdcnyc.com/pages/assembly-instructions)

**thank you for selecting a  
studio duc product!**

please check contents against the components list in these instructions. also, please ensure there was no damage that may have occurred in shipping.

if any components are missing or you find any damage, please contact ducduc before continuing.

read all the instructions before use.

pay close attention to the safety warnings in these instructions.

a minimum of two people is required to safely assemble and move the tall bookcase. do not attempt to move this tall bookcase alone — dragging or sliding it across a floor may cause structural damage.

**MAINTENANCE:**

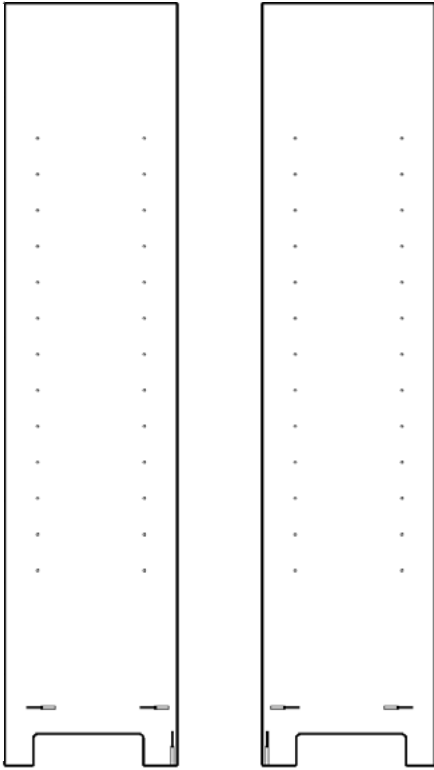
please remember to securely tighten all bolts and fasteners, and periodically check to make sure every component is properly and securely in place and all bolts and fasteners are tight.

**CLEANING:**

do not scratch or chip the finish. do not use abrasive chemicals for cleaning. clean with mild soap on a soft rag. rinse and dry thoroughly. if you ever refinish this furniture, be sure to use only a non-toxic finish specified for children's furniture.

**KEEP INSTRUCTIONS FOR FUTURE USE**

# WHAT'S IN THE BOX:

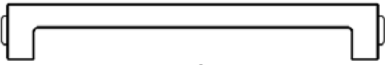


**A1**

R side panel

**A2**

L side panel



**C**

stretcher



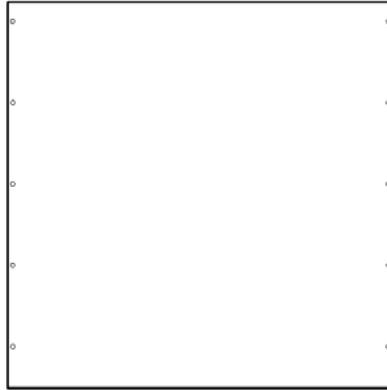
**D**

top



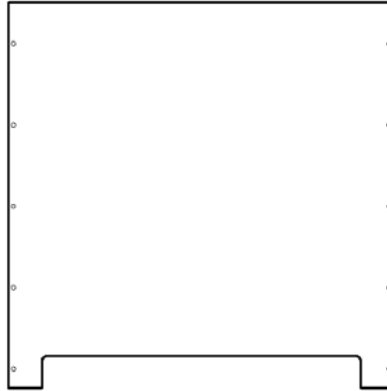
**E**

bottom



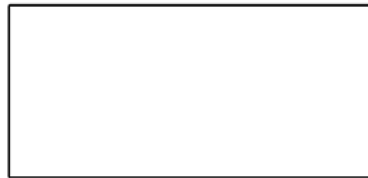
**B1**

back panel top



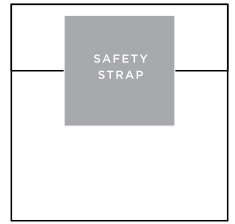
**B2**

back panel bottom



**F (x4)**

adjustable shelves



**G**

safety strap kit  
(with hardware)



**H (x16)**  
shelf pins

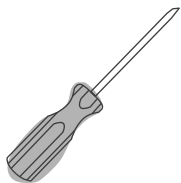


**I**  
hammer cap



**J (x28)**  
dowel pins

## WHAT YOU'LL NEED:



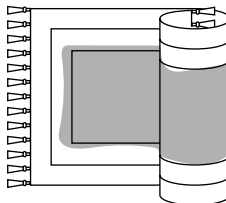
**phillips head screwdriver  
and/or drill with 6mm bit**



**household hammer or  
rubber mallet**



**10 minutes**  
*(or less)*



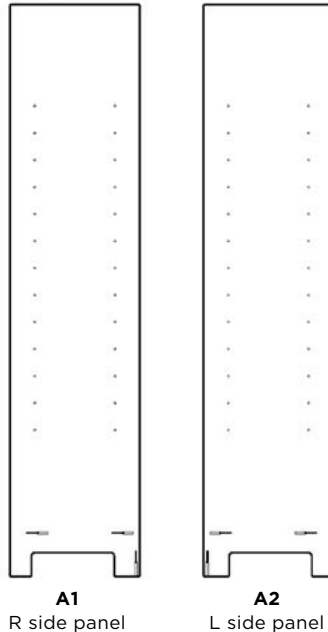
**a soft surface to assemble on**  
*(like a rug or some of the corrugate  
box your piece arrived in)*



**2 people**  
**plus a dog for moral support**  
*(unless you're a cat person)*

# before you begin!

grab your household hammer and locate the parts listed below.



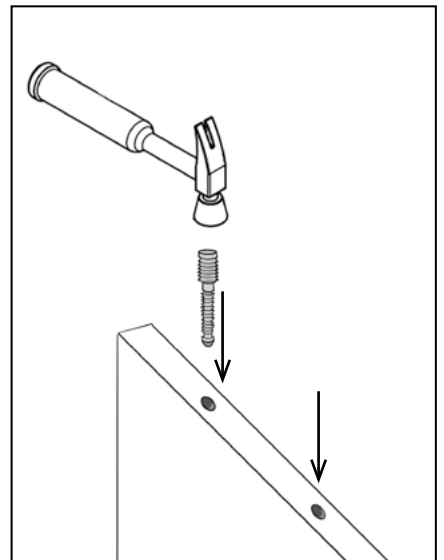
**I**  
hammer cap



**J (x28)**  
dowel pins

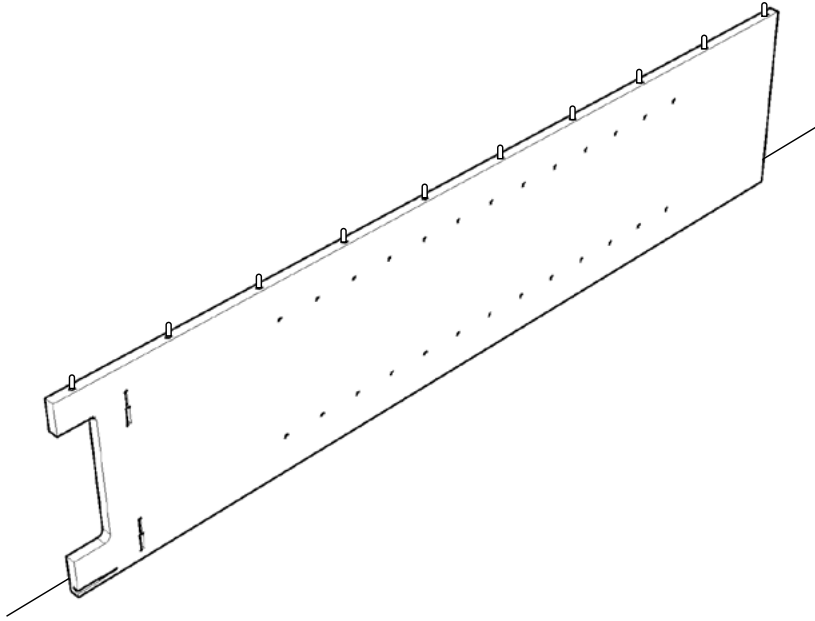
**then, follow the instructions below. once completed and all dowel pins are secured, move on to step 1!**

- line up the skinny end of the green dowel pins (J) with holes on the top and sides of R side panel, L side panel (parts: A1 + A2)
- apply hammer cap (I) to the head of a household hammer and hit the top of the dowel until it is fully secure.
- repeat on all case edges until no empty holes remain.

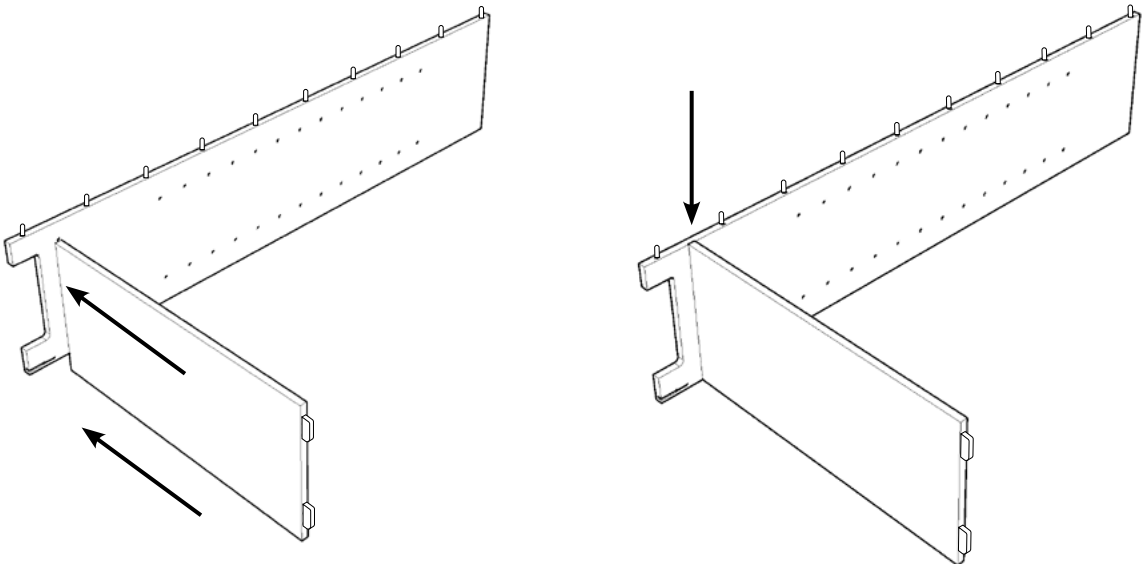


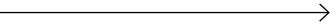


- 1** lean R side panel (A1) against a wall with the holes facing away from wall and connectors facing upward as shown.



- 2** insert connectors of bottom panel (E) into slots on R side panel (A1) and push down at the connection to lock into place.

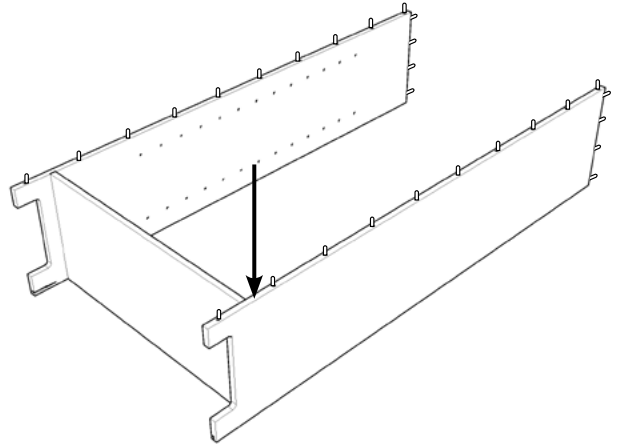
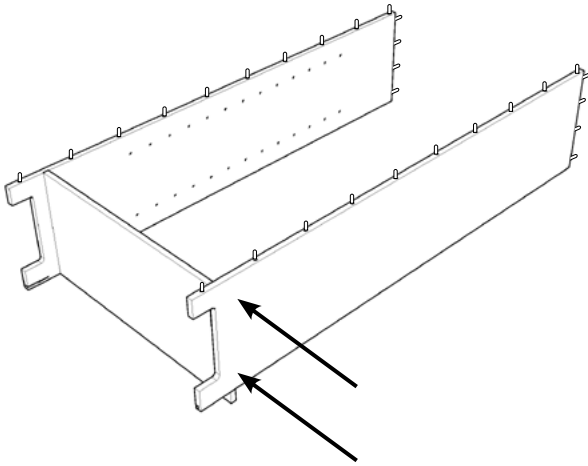


still confused? scan this code to watch the assembly video! 



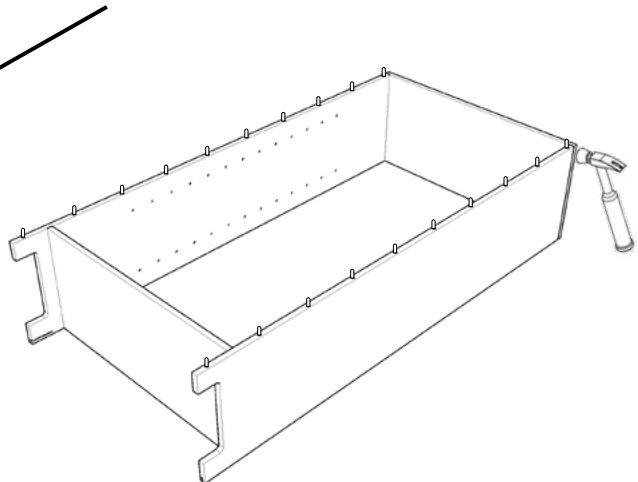
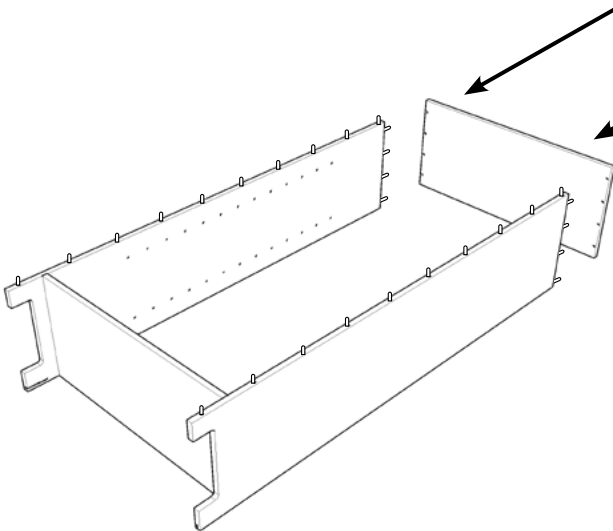
# 3

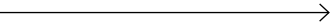
insert remaining connectors of bottom panel (E) into slots on L side panel (A2), and push down at the connection to lock into place.



# 4

insert connectors of both side panels (A1 + A2) into holes on underside of top panel (D). apply hammer cap (K) to the head of a household hammer and tap top panel (D) until there is no gap at the connection to side panels (A1 + A2).

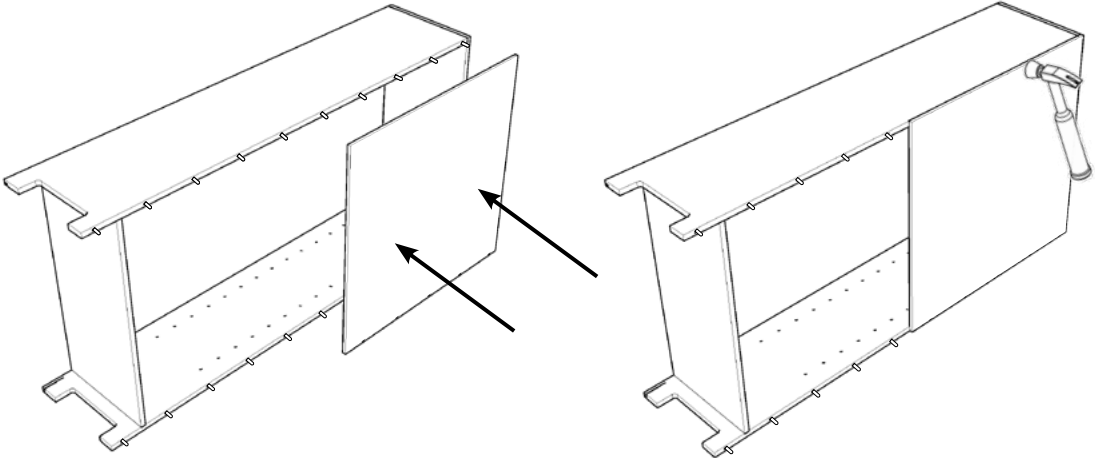


still confused? scan this code to watch the assembly video! 



# 5

with a friend, rotate the partially assembled case as shown. insert connectors of both side panels (A1 + A2) into holes on back panel top (B1). tap with hammer and hammer cap (I) until fully in place.

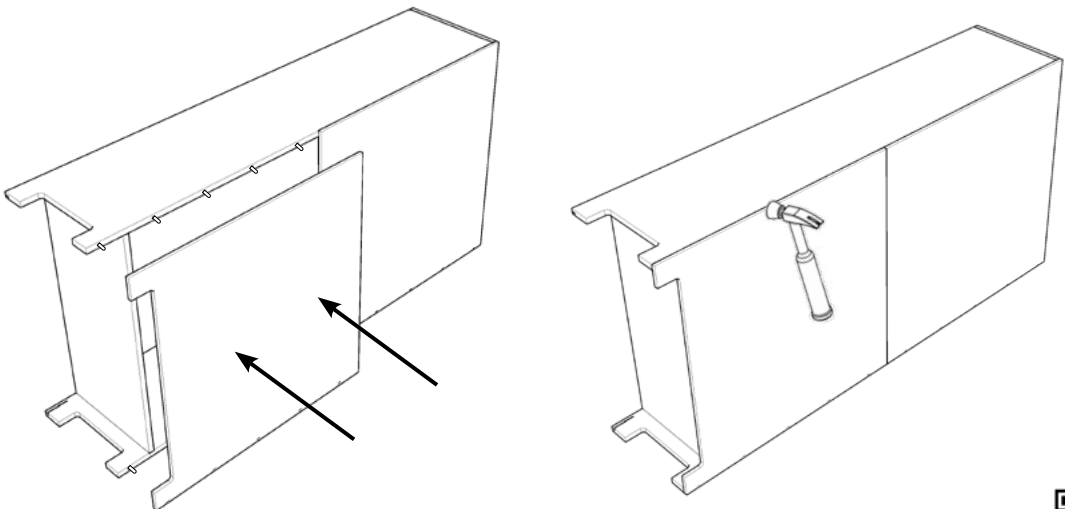


# 6

insert connectors of both side panels (A1 + A2) into holes on back panel bottom (B2). tap with hammer and hammer cap (I) until fully in place.

**duc insider tip!**

*not sure which back panel is top or bottom? look for the feet... those go down low (AKA: the bottom).*

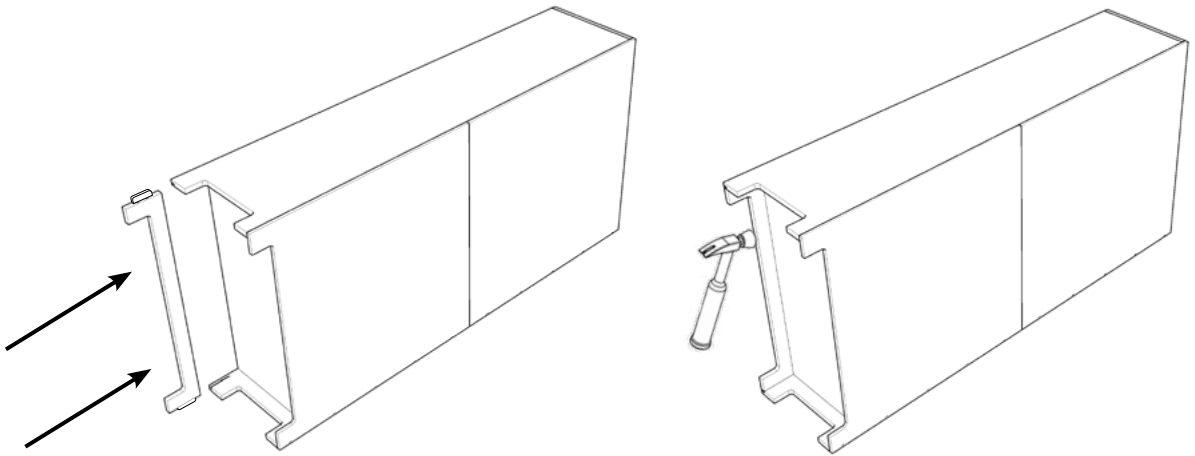


still confused? scan this code to watch the assembly video! →



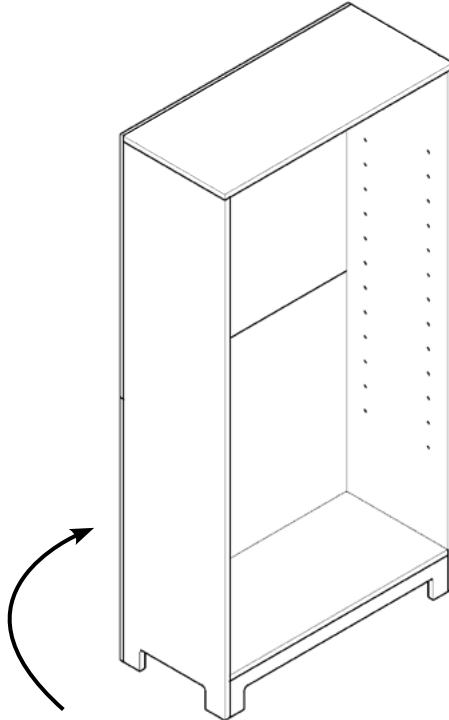
# 7

insert connectors of stretcher (C) into slots on both side panels (A1 + A2). tap stretcher (C) with hammer and hammer cap (I) until fully in place.

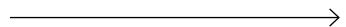


# 8

with a friend, rotate the assembled case into upright position, as shown.

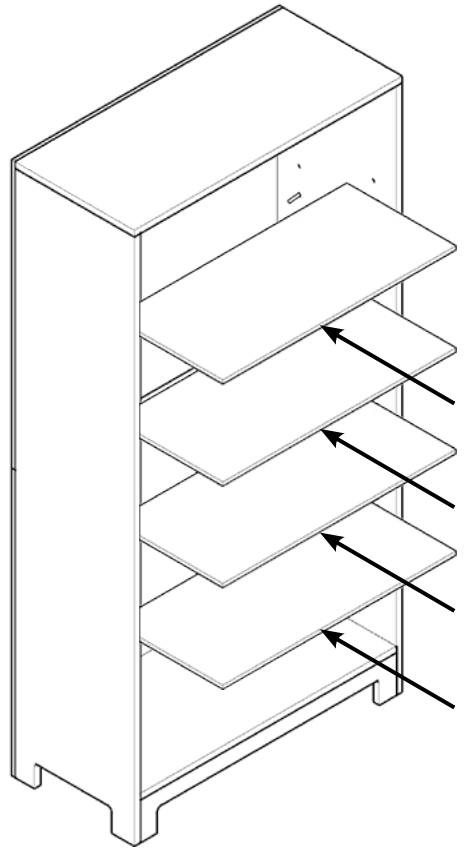
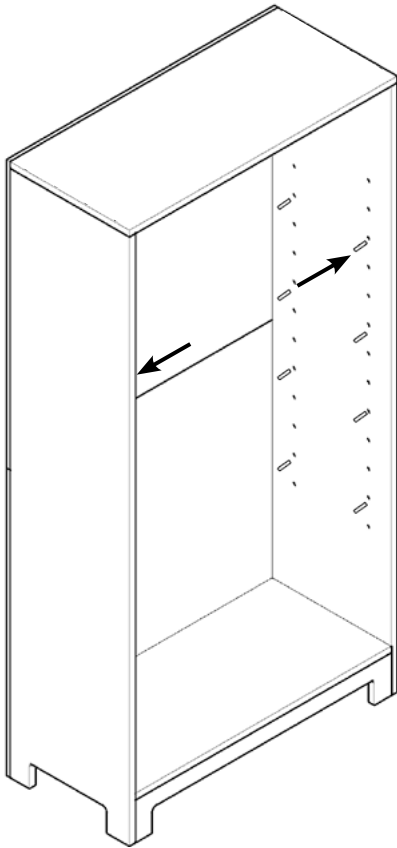



still confused? scan this code to watch the assembly video!



# 9

insert 16 shelf pins (H) into holes on interiors of both side panels (A1 + A2) at desired locations. place 1 adjustable shelf (F) on top of 4 shelf pins (H) so each shelf sits secure and level.



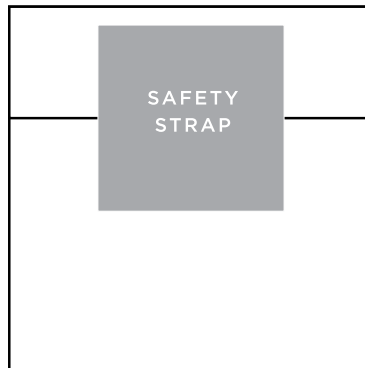
still confused? scan this code to watch the assembly video! 



# 10

## safety strap installation

the last step for your tall bookcase is to install the safety strap included in the box. reference the separate instructions enclosed in the envelope.

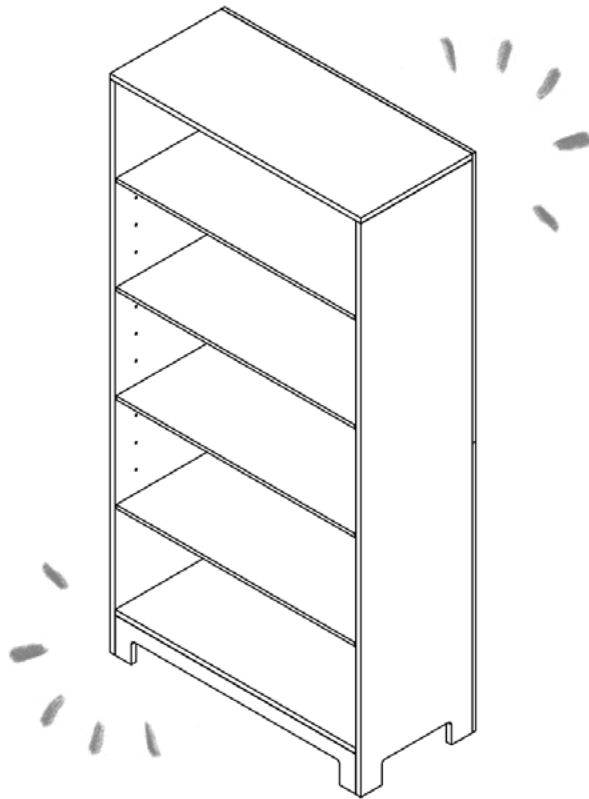


still confused? scan this code to watch the assembly video! —————>



**congrats! you did it!**

give yourself a pat on the back, take a bow,  
or go home a pint of ice cream...we don't judge.



# prefer to talk to a human instead? we're here for you!

contact our customer advocate team below



212.226.1868



[quack@ducducnyc.com](mailto:quack@ducducnyc.com)



live chat at  
[ducducnyc.com](https://ducducnyc.com)



200 lexington ave,  
ny, ny 10016