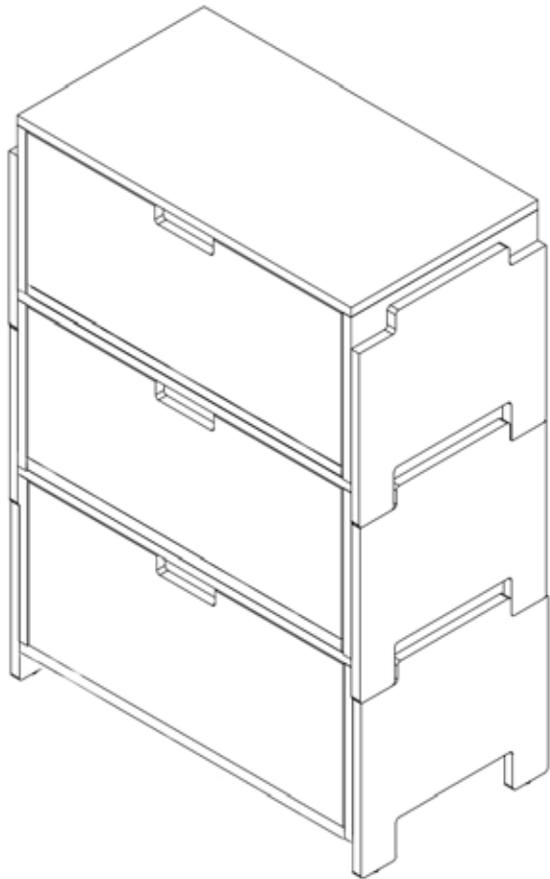




ASSEMBLY INSTRUCTIONS

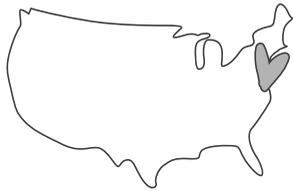
juno stacking toy storage

a how-to guide that won't leave you in tears



parenting is hard.
this is easy.

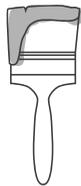
no really, it is.



MADE HERE™



MADE WELL™



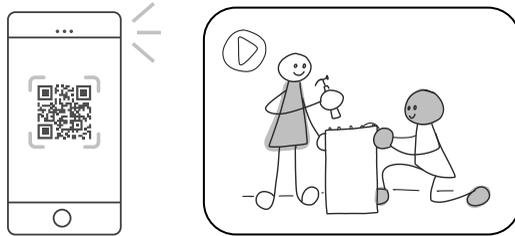
MADE SAFE



MADE SMART

want to watch this assembly IRL?

(acronym challenged? that means “in real life”.)



open the camera on your phone and place it over the QR code below to see our NYC studio dream team do all the heavy lifting (just kidding, there is none!)



or go to ducdcnyc.com/pages/assembly-instructions

**thank you for selecting a
studio duc product!**

please check contents against the components list in these instructions. also, please ensure there was no damage that may have occurred in shipping.

if any components are missing or you find any damage, please contact ducduc before continuing.

read all the instructions before use.

pay close attention to the safety warnings in these instructions.

a minimum of two people is required to safely assemble and move the stacking toy storage. do not attempt to move the stacking toy storage alone — dragging or sliding it across a floor may cause structural damage.

MAINTENANCE:

please remember to securely tighten all bolts and fasteners, and periodically check to make sure every component is properly and securely in place and all bolts and fasteners are tight.

CLEANING:

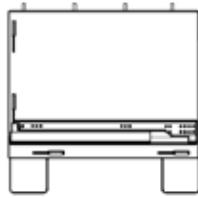
do not scratch or chip the finish. do not use abrasive chemicals for cleaning. clean with mild soap on a soft rag. rinse and dry thoroughly. if you ever refinish this furniture, be sure to use only a non-toxic finish specified for children's furniture.

KEEP INSTRUCTIONS FOR FUTURE USE

WHAT'S IN THE BOX:



A1
L side panel



A2
R side panel



DB1
drawer face



B
back panel



DB2
drawer box back



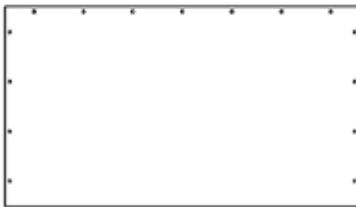
C
bottom



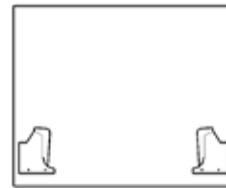
DB3
L drawer box side



DB4
R drawer box side



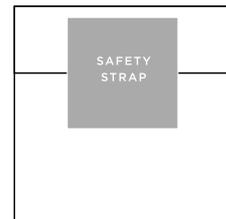
D
top



DB5
drawer box bottom



E
hammer cap



F
safety strap kit
(with hardware)

WHAT YOU'LL NEED:



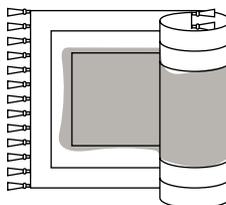
**phillips head screwdriver
and/or drill with 6mm bit**



**household hammer or
rubber mallet**



15 minutes
(or less)



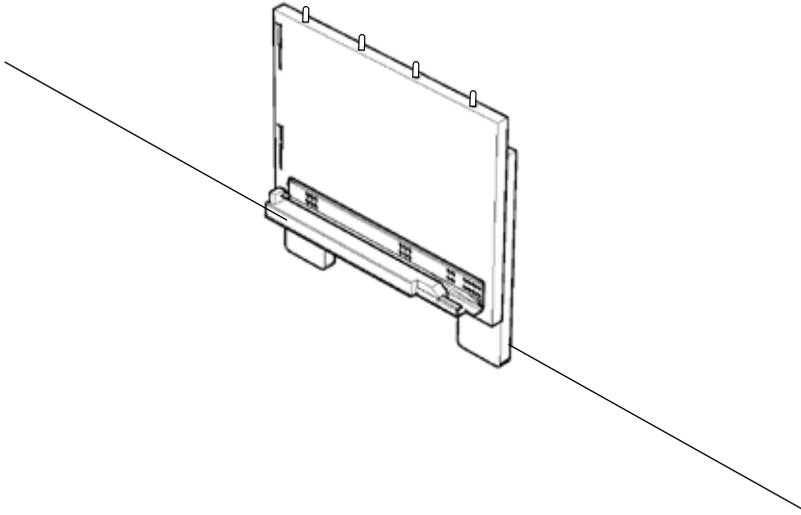
a soft surface to assemble on
*(like a rug or some of the corrugate
box your piece arrived in)*



2 people
plus a dog for moral support
(unless you're a cat person)

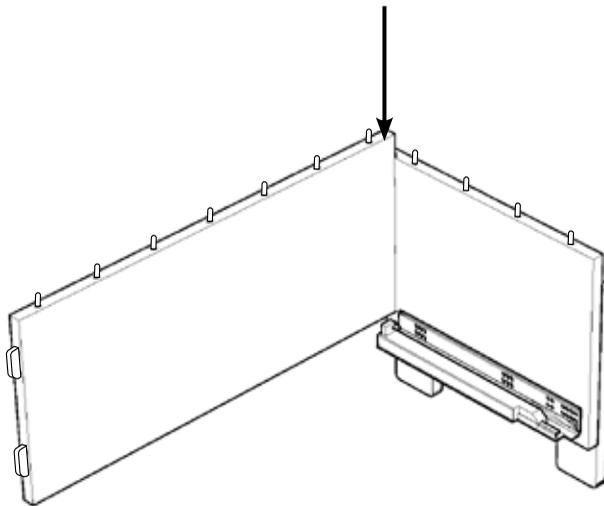
1

lean R side panel (A2) against a wall as shown.



2

insert connectors of back panel (B) into slots on R side panel (A2). push down at the connection to lock into place.

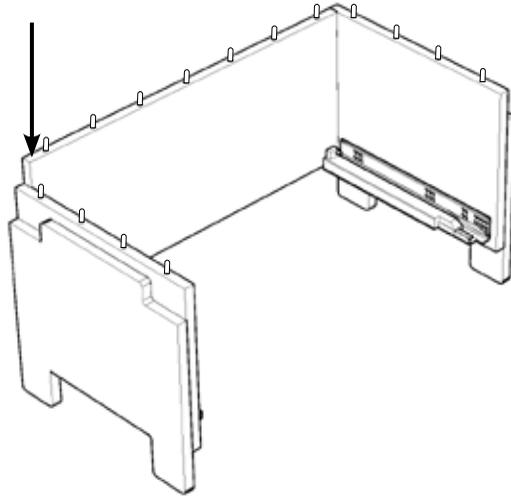


still confused? scan this code to watch the assembly video! 



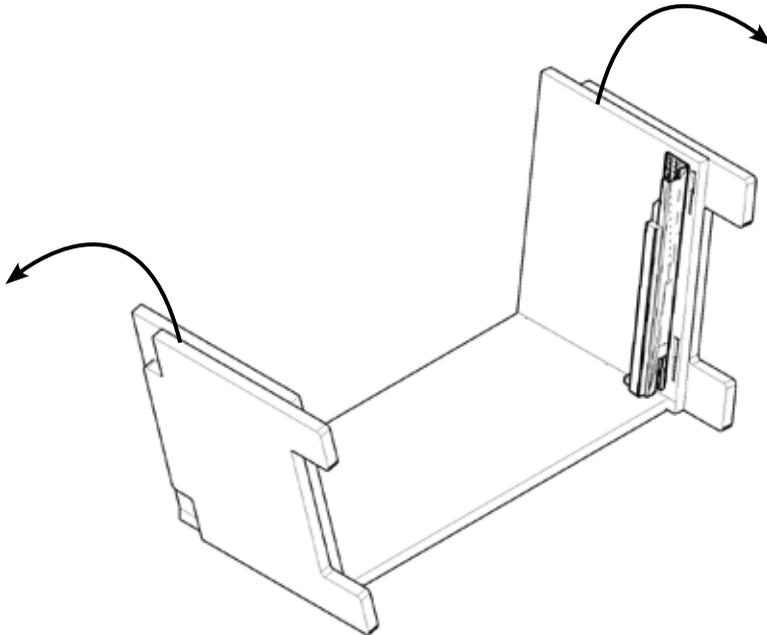
3

insert connectors of back panel (B) into slots on L side panel (A1). push down at the connection to lock into place.



4a

have a friend gently flare L + R side panels (A1 + A2) outward as shown.

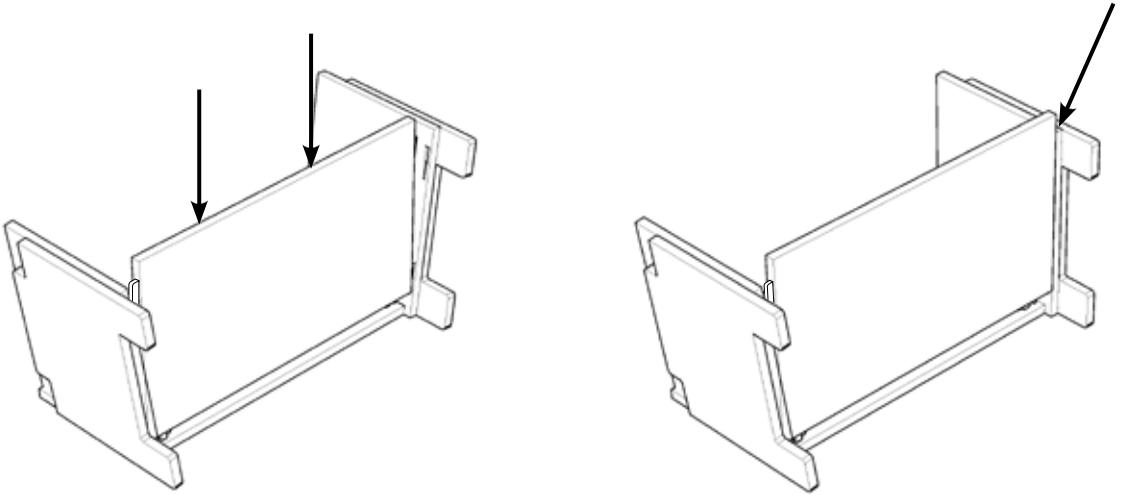


still confused? scan this code to watch the assembly video! 



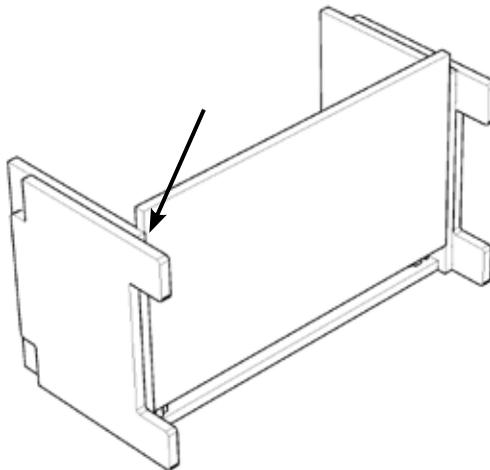
4b

with the side panels flared outward, insert connectors of bottom (C) into slots on R side panel (A2).



4c

insert remaining connectors of bottom (C) into slots on L side panel (A1).

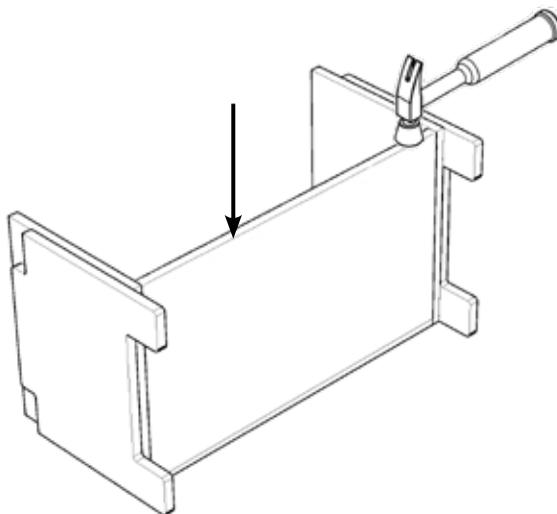


still confused? scan this code to watch the assembly video! →



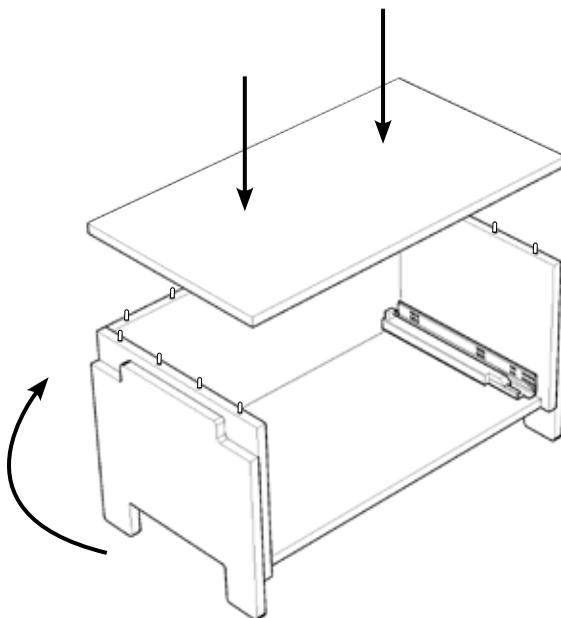
4d

once all connectors and slots are lined up and side panels are back to square position, apply hammer cap (E) to the head of a household hammer and tap bottom (C) until it is flush with the backside of back panel (B).



5

with a friend, flip partially assembled case into upright position. line up holes of top (D) and insert with the connectors of side panels (A1 + A2) and back panel (B). tap with hammer and hammer cap (E) to lock into place.

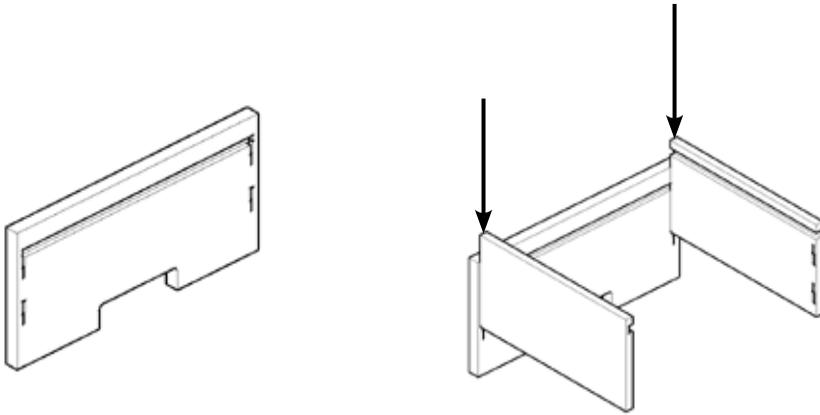


still confused? scan this code to watch the assembly video! 



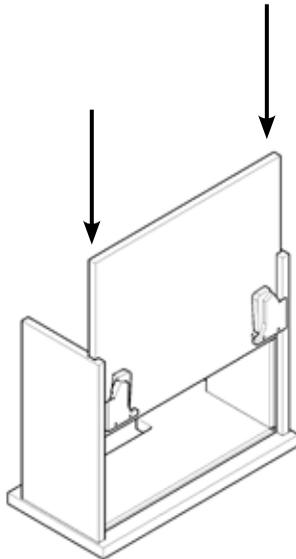
6a

now we build the drawers! starting with drawer face (DB1) facing down, insert connectors of both drawer box side panels (DB3 + DB4) into slots on drawer face (DB1). push down at the connections to lock into place.

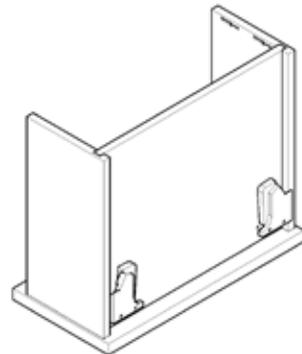


6b

rotate the partially assembled drawer box as shown. slide drawer box bottom (DB5) into place using grooves on the drawer box side panels (DB3 + DB4) as guides. be sure glide hardware on bottom panel (DB5) is positioned outside the drawer interior and toward the drawer face (DB1) as shown.



duc insider tip!
when the drawer bottom panel is properly installed, it should be recessed about a 1/4" from the back of the drawer sides.

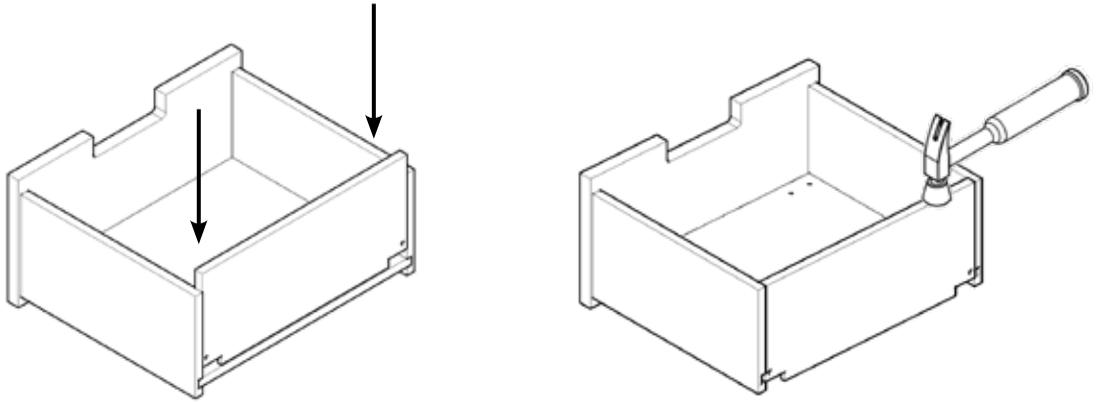


still confused? scan this code to watch the assembly video! 



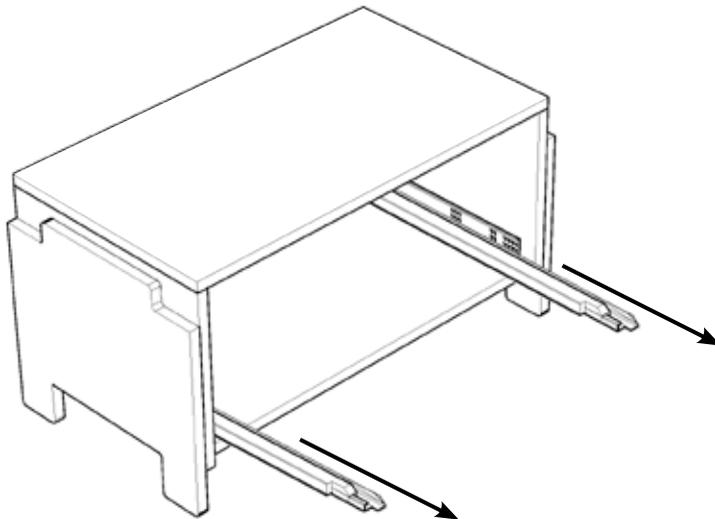
6c

again, rotate partially assembled drawer box as shown. insert connectors of drawer box back (DB2) into slots on drawer box sides (DB3 + DB4). push down at the connections to lock into place. use hammer and hammer cap (E) if needed.



7a

pull drawer glides out to extended position as shown.

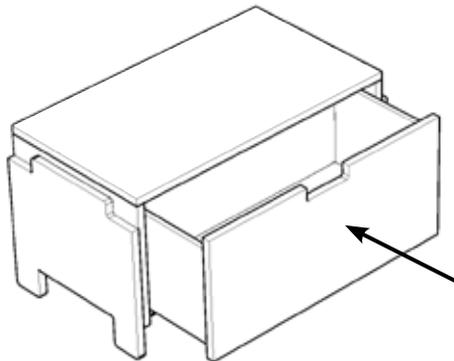
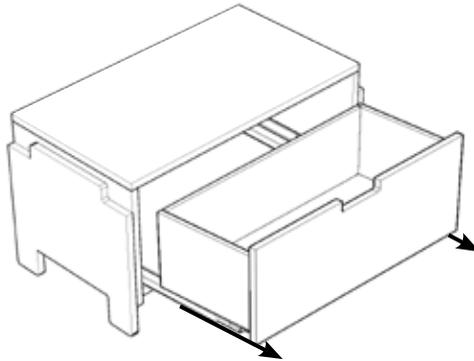
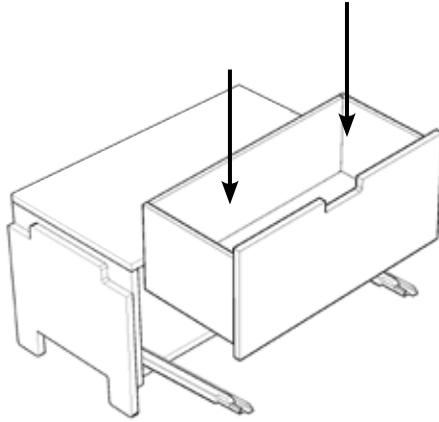


still confused? scan this code to watch the assembly video! 



7b

place one assembled drawer box onto extended glides as shown. from underside of drawer, use hands to pull each glide forward until it locks into connection with glide hardware attached to drawer box bottom (DB5). the drawer will be secure when you hear a click on each connection. once secured, push drawer box in to close.



still confused? scan this code to watch the assembly video! 



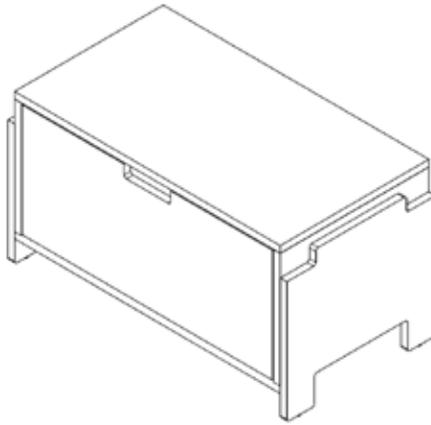


before you move forward!

The following instructions describe how to stack your toy storage units and apply the safety straps if stacking two or more. **If you will not be stacking your toy storage units, you can stop here.**

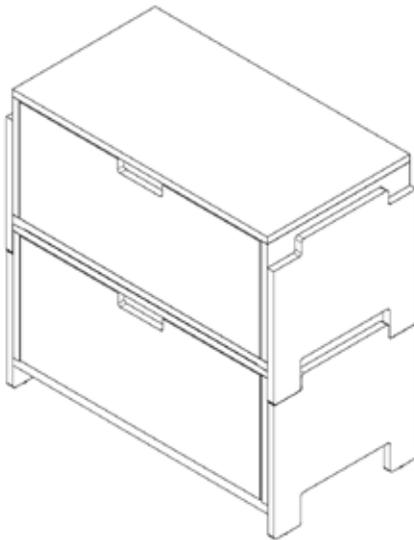
8a

Place your stacking toy storage unit in the area it will stay. Do not try to move the unit once it has been stacked.



8b

Have a friend help you lift the second stacking toy storage on top of the first. Make sure the notches in the legs are aligned with the grooves in the top of the unit below.



duc insider tip!

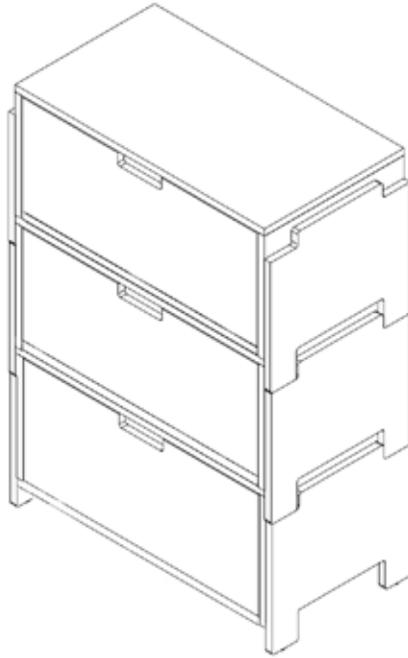
this modular toy storage has been designed to stack securely for the perfect fit. If for any reason, you do not feel the pieces are locking into place, please contact ducduc before proceeding.

still confused? scan this code to watch the assembly video! —————>



8c

Place your stacking toy storage unit in the area it will stay. Do not try to move the unit once it has been stacked.



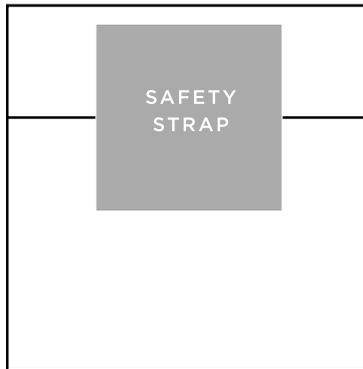
still confused? scan this code to watch the assembly video! —————>



9

safety strap installation

the last step for your stacking toy storage is to install the safety strap included in the box. reference the separate instructions enclosed in the envelope.



hooray! you did it!

give yourself a pat on the back, take a bow,
or go home a pint of ice cream...we don't judge.



prefer to talk to a human instead? we're here for you!

contact our customer advocate team below:



212.226.1868



quack@ducducnyc.com



live chat at
ducducnyc.com



200 lexington, no. 1201
ny, ny 10016