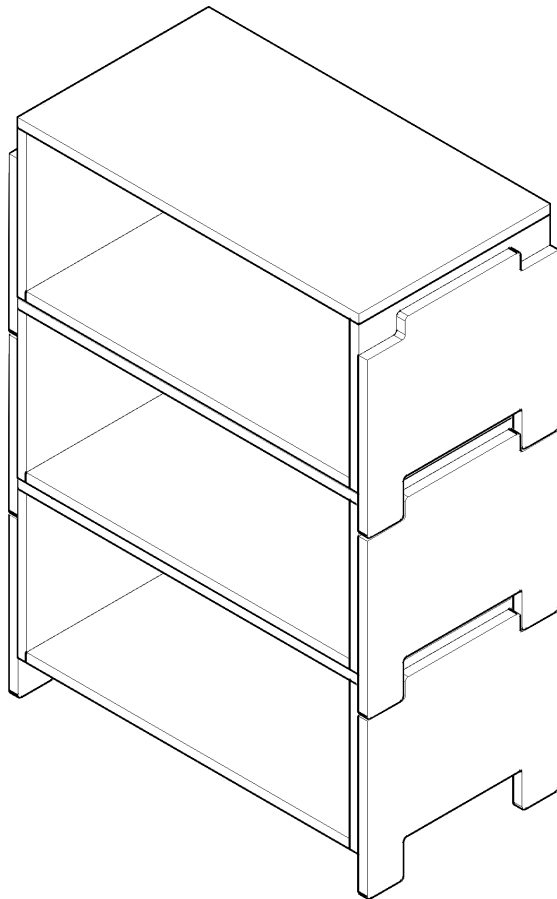




ASSEMBLY INSTRUCTIONS

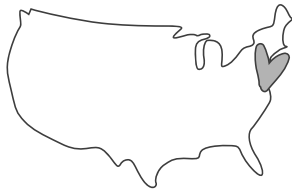
juno stacking toy cubby

a how-to guide that won't leave you in tears



parenting is hard.
this is easy.

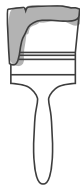
no really, it is.



MADE HERE™



MADE WELL™



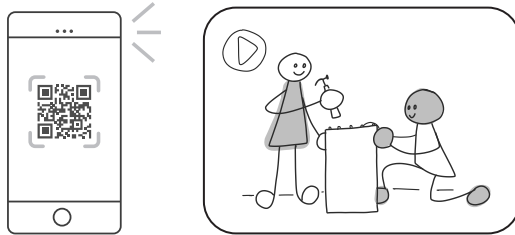
MADE SAFE



MADE SMART

want to watch this assembly IRL?

(acronym challenged? that means “in real life”.)



open the camera on your phone and place it over the QR code below to see our NYC studio dream team do all the heavy lifting (just kidding, there is none!)



or go to ducducnyc.com/assembly-instructions

**thank you for selecting a
studio duc product!**

please check contents against the components list in these instructions. also, please ensure there was no damage that may have occurred in shipping.

if any components are missing or you find any damage, please contact ducduc before continuing.

read all the instructions before use.

pay close attention to the safety warnings in these instructions.

a minimum of two people is required to safely assemble and move the stacking toy cubby. do not attempt to move the stacking toy cubby alone — dragging or sliding it across a floor may cause structural damage.

MAINTENANCE:

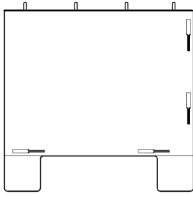
please remember to securely tighten all bolts and fasteners, and periodically check to make sure every component is properly and securely in place and all bolts and fasteners are tight.

CLEANING:

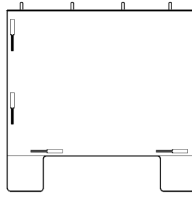
do not scratch or chip the finish. do not use abrasive chemicals for cleaning. clean with mild soap on a soft rag. rinse and dry thoroughly. if you ever refinish this furniture, be sure to use only a non-toxic finish specified for children's furniture.

KEEP INSTRUCTIONS FOR FUTURE USE

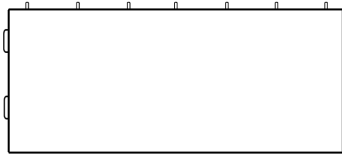
WHAT'S IN THE BOX:



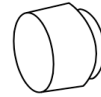
A1
L side panel



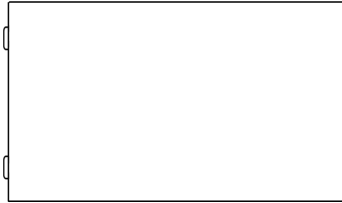
A2
R side panel



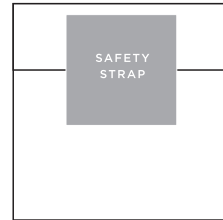
B
back panel



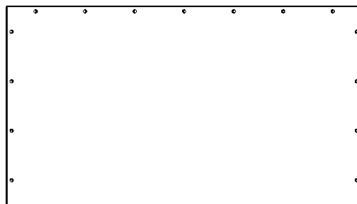
E
hammer cap



C
bottom

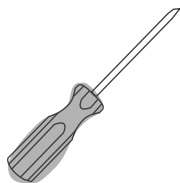


F
safety strap kit
(with hardware)

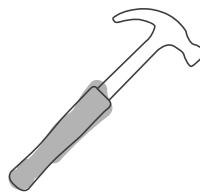


D
top

WHAT YOU'LL NEED:



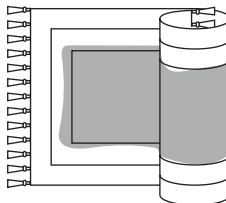
**phillips head screwdriver
and/or drill with 6mm bit**



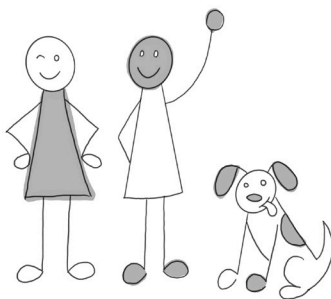
**household hammer or
rubber mallet**



15 minutes
(or less)



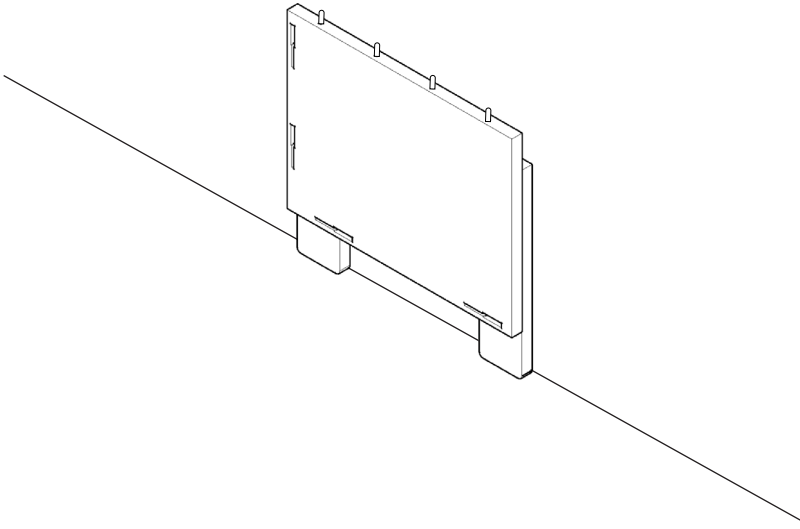
a soft surface to assemble on
*(like a rug or some of the corrugate
box your piece arrived in)*



2 people
plus a dog for moral support
(unless you're a cat person)

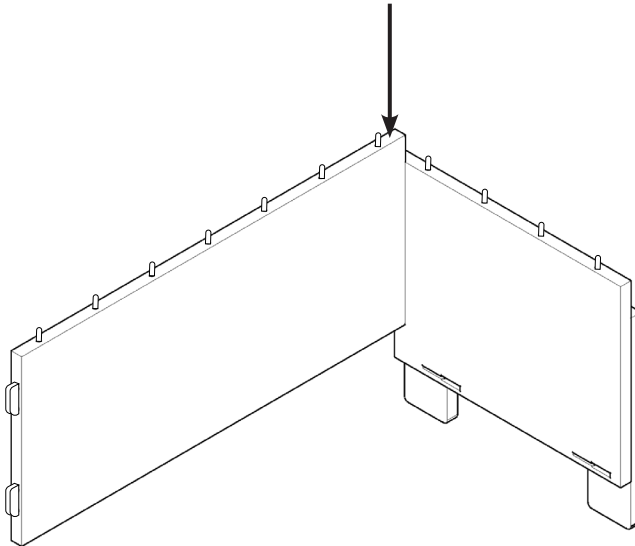
1

lean R side panel (A2) against a wall as shown.



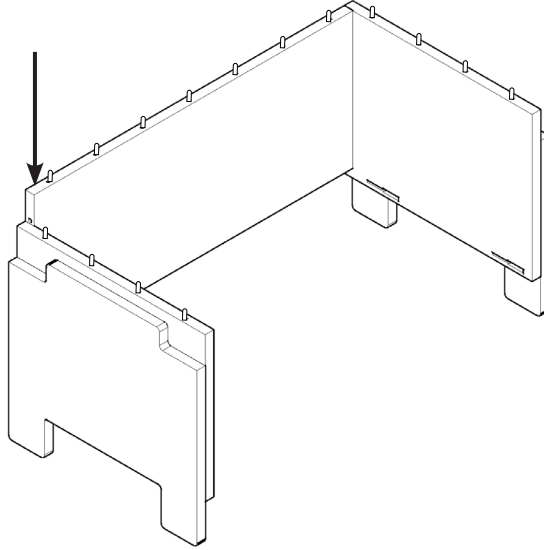
2

insert connectors of back panel (B) into slots on R side panel (A2). push down at the connection to lock into place.



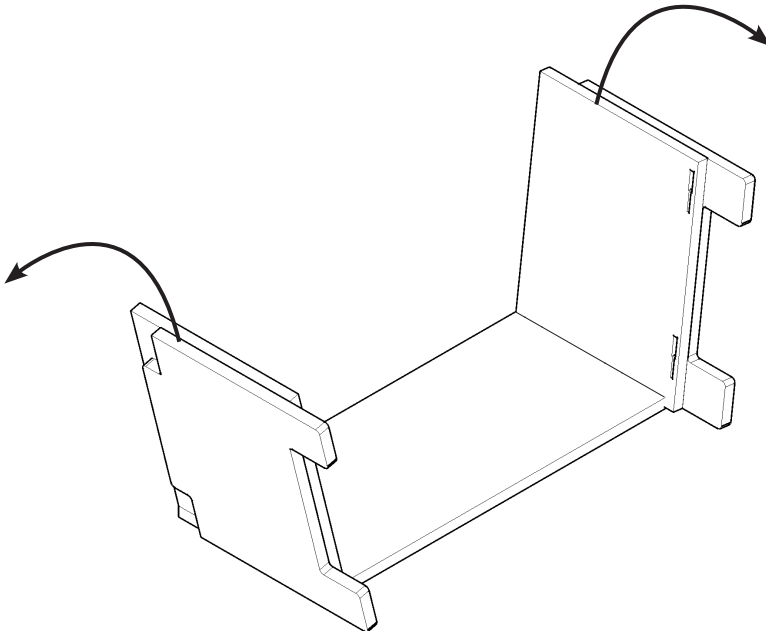
3

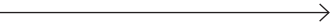
insert connectors of back panel (B) into slots on L side panel (A1). push down at the connection to lock into place.



4a

have a friend gently flare L + R side panels (A1 + A2) outward as shown.

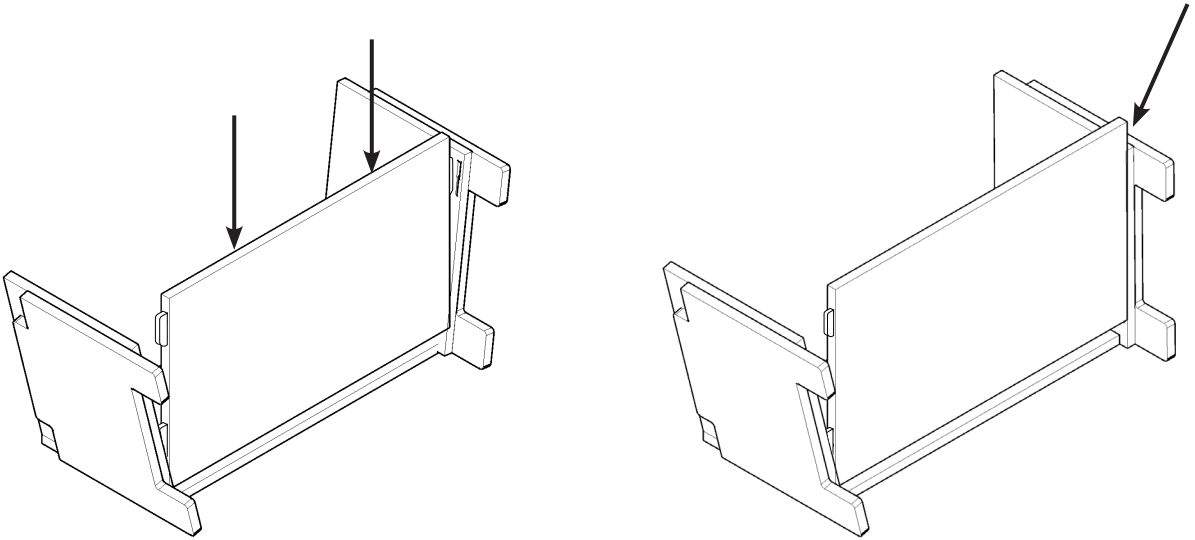


still confused? scan this code to watch the assembly video! 



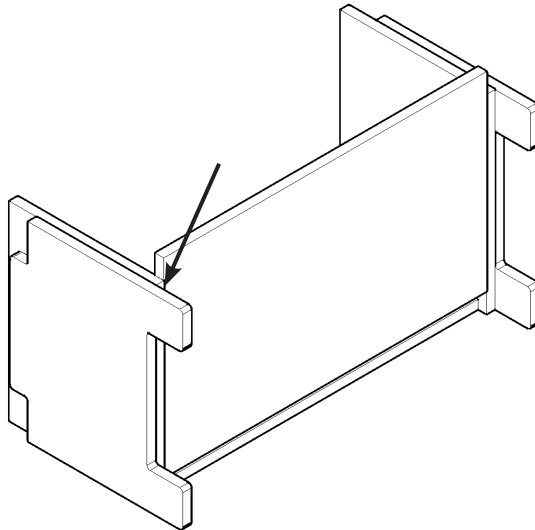
4b

with the side panels flared outward, insert connectors of bottom (C) into slots on R side panel (A2).



4c

insert remaining connectors of bottom (C) into slots on L side panel (A1).

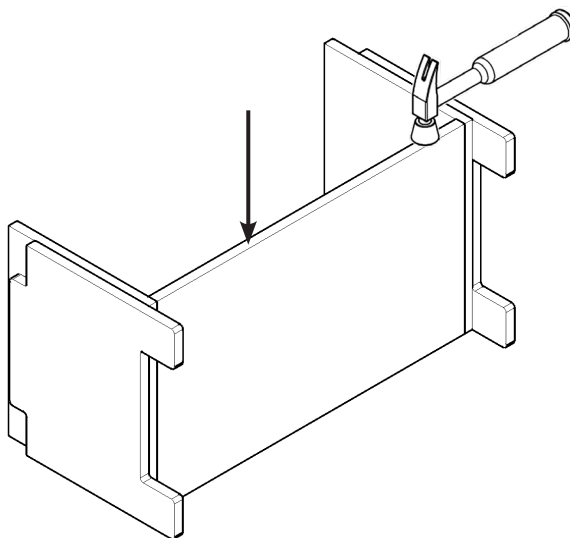


still confused? scan this code to watch the assembly video! →



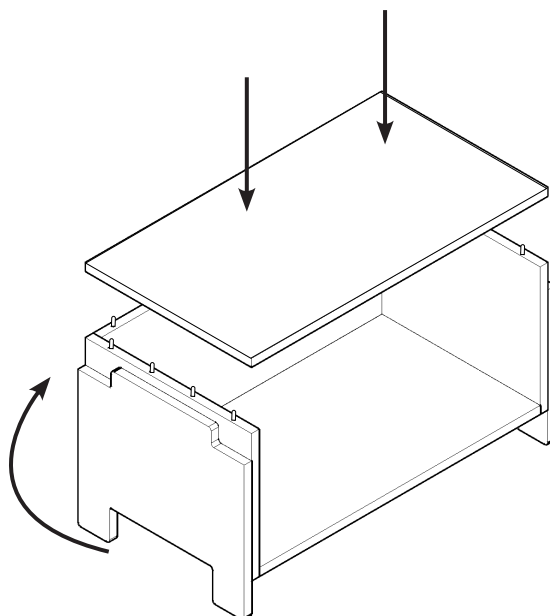
4d


once all connectors and slots are lined up and side panels are back to square position, apply hammer cap (E) to the head of a household hammer and tap bottom (C) until it is flush with the backside of back panel (B).



5

with a friend, flip partially assembled case into upright position. line up holes of top (D) and insert with the connectors of side panels (A1 + A2) and back panel (B). tap with hammer and hammer cap (E) to lock into place.



still confused? scan this code to watch the assembly video! 



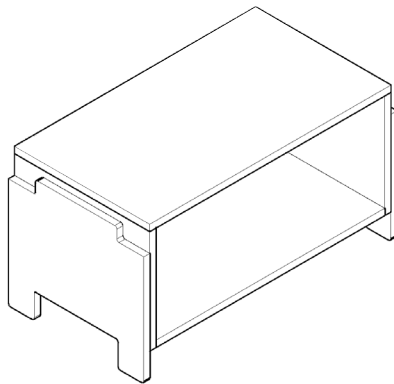


before you move forward!

the following instructions describe how to stack your toy cubby units and apply the safety strap if stacking two or more. **if you will not be stacking your toy cubby units, you can stop here.**

6a

place your stacking toy cubby unit in the area it will stay. do not try to move the unit once it has been stacked.



still confused? scan this code to watch the assembly video! →

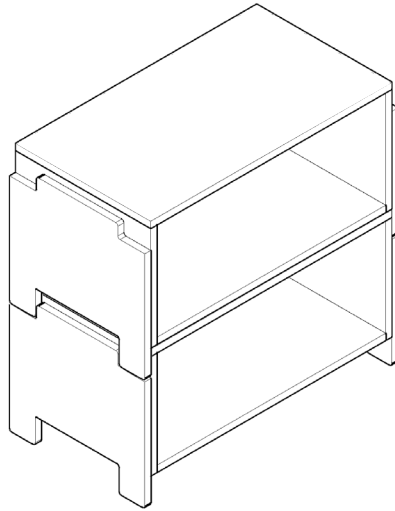


6b

have a friend help you lift the second stacking toy storage on top of the first. make sure the notches in the legs are aligned with the grooves in the top of the unit below.

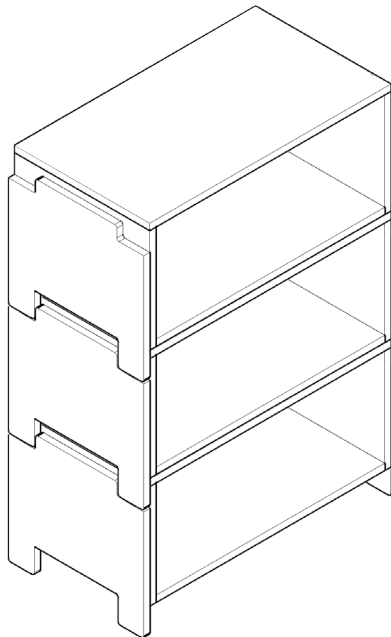
duc insider tip!

this modular toy storage has been designed to stack securely for the perfect fit. If for any reason, you do not feel the pieces are locking into place, please contact ducduc before proceeding.



6c

place your stacking toy storage unit in the area it will stay. do not try to move the unit once it has been stacked.



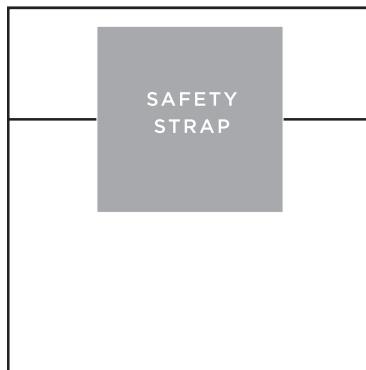
still confused? scan this code to watch the assembly video! →



7

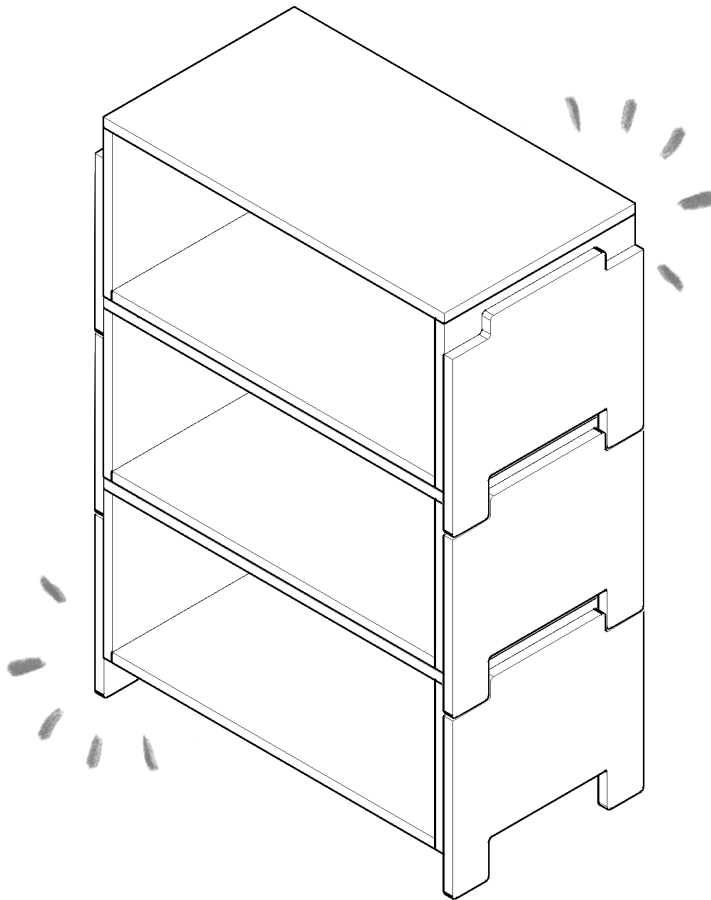
safety strap installation

the last step for your stacking toy cubby is to install the safety strap included in the box. reference the separate instructions enclosed in the envelope.



woohoo! you did it!

give yourself a pat on the back, take a bow,
or go house a pint of ice cream...we don't judge.



prefer to talk to a human instead? we're here for you!

contact our customer advocate team below:



212.226.1868



quack@ducducnyc.com



live chat at
ducducnyc.com



200 lexington, no. 701
ny, ny 10016