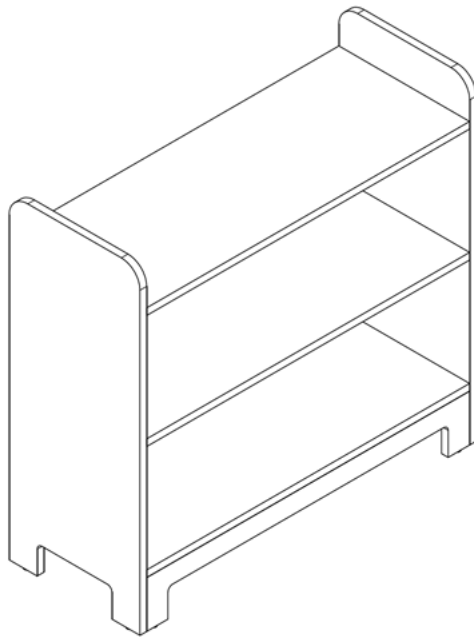




ASSEMBLY INSTRUCTIONS

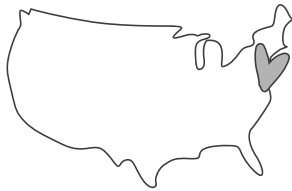
juno bookcase

a how-to guide that won't leave you in tears



parenting is hard.
this is easy.

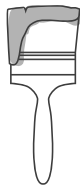
no really, it is.



MADE HERE™



MADE WELL™



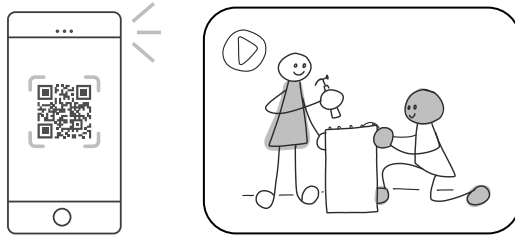
MADE SAFE



MADE SMART

want to watch this assembly IRL?

(acronym challenged? that means “in real life”.)



open the camera on your phone and place it over the QR code below to see our NYC studio dream team do all the heavy lifting (just kidding, there is none!)



or go to ducdcnyc.com/pages/assembly-instructions

**thank you for selecting a
studio duc product!**

please check contents against the components list in these instructions. also, please ensure there was no damage that may have occurred in shipping.

if any components are missing or you find any damage, please contact ducduc before continuing.

read all the instructions before use.

pay close attention to the safety warnings in these instructions.

a minimum of two people is required to safely assemble and move the bookcase. do not attempt to move this bookcase alone — dragging or sliding it across a floor may cause structural damage.

MAINTENANCE:

please remember to securely tighten all bolts and fasteners, and periodically check to make sure every component is properly and securely in place and all bolts and fasteners are tight.

CLEANING:

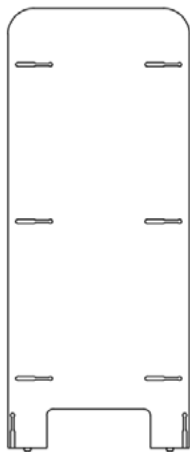
do not scratch or chip the finish. do not use abrasive chemicals for cleaning. clean with mild soap on a soft rag. rinse and dry thoroughly. if you ever refinish this furniture, be sure to use only a non-toxic finish specified for children's furniture.

KEEP INSTRUCTIONS FOR FUTURE USE

WHAT'S IN THE BOX:



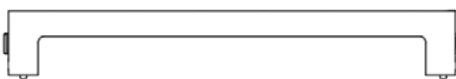
A1
R side panel



A2
L side panel



B (x3)
shelf



C (x2)
stretcher

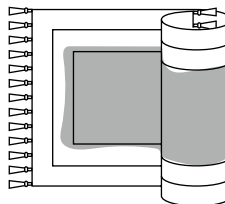


D
hammer cap

WHAT YOU'LL NEED:



**household hammer or
rubber mallet**



a soft surface to assemble on
*(like a rug or some of the corrugate
box your piece arrived in)*



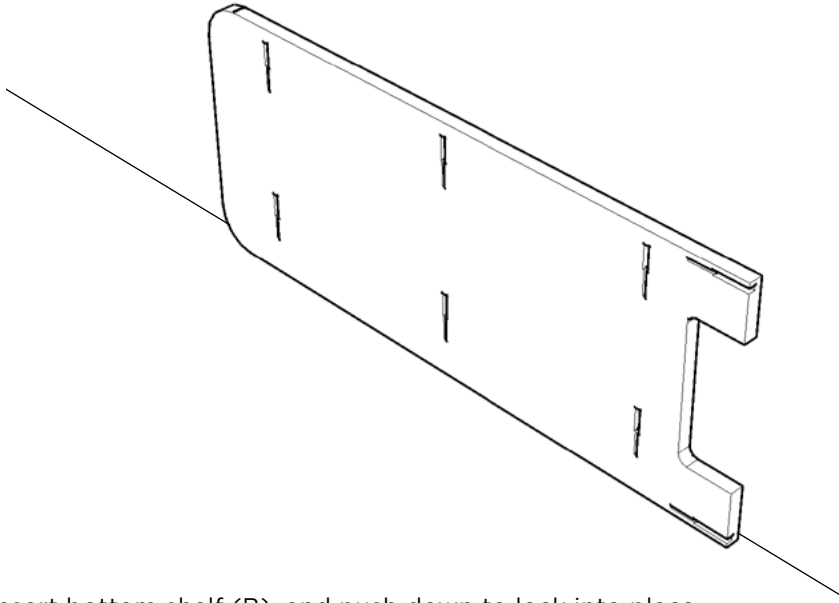
2 people
plus a dog for moral support
(unless you're a cat person)



15 minutes
(or less)

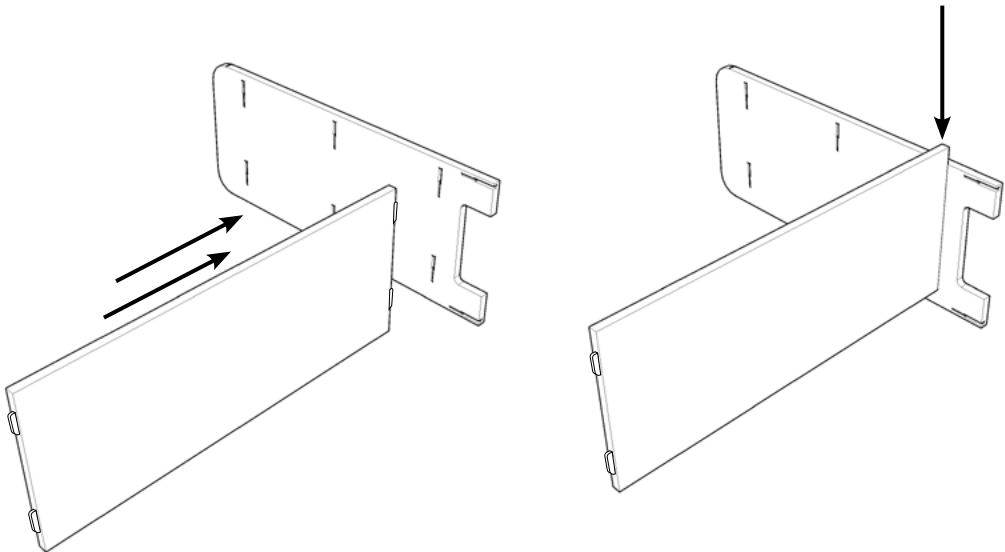
1

lean R side panel (A1) against a wall.



2

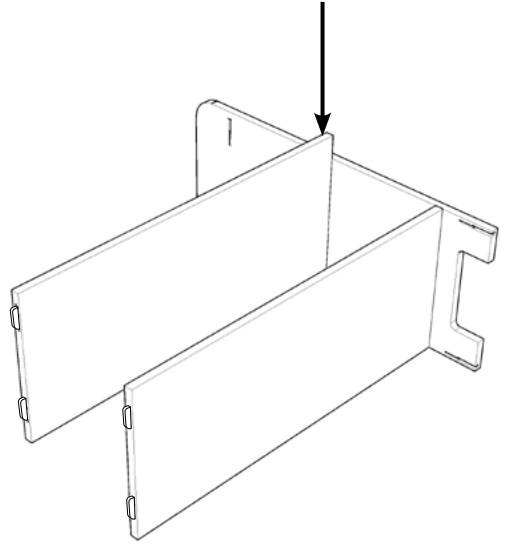
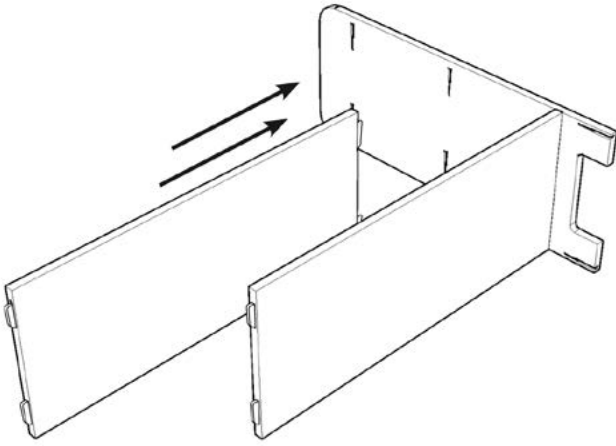
insert bottom shelf (B), and push down to lock into place.



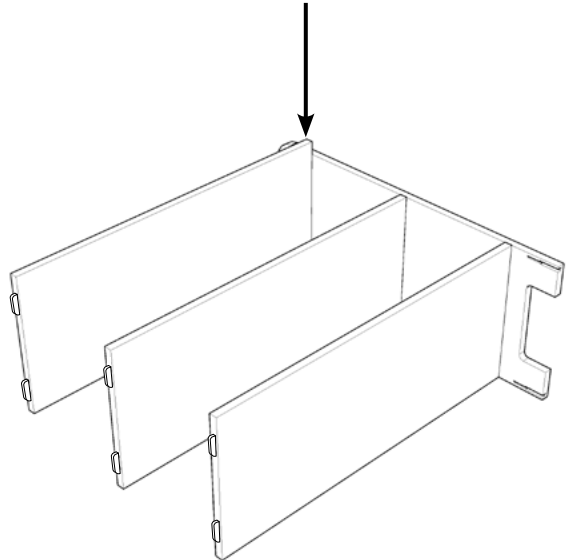
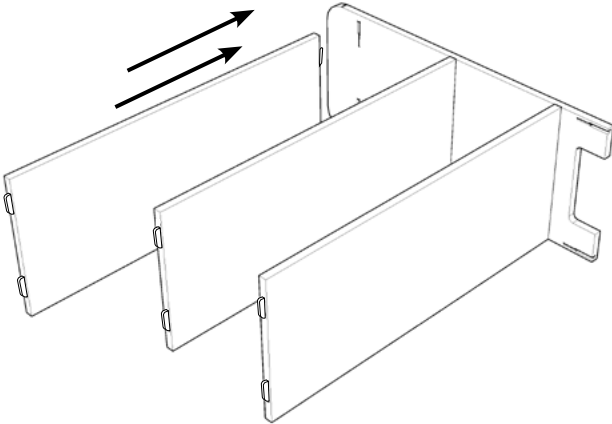
still confused? scan this code to watch the assembly video! →




3 insert middle shelf (B), and lock into place.



4 insert top shelf (B), and lock into place.

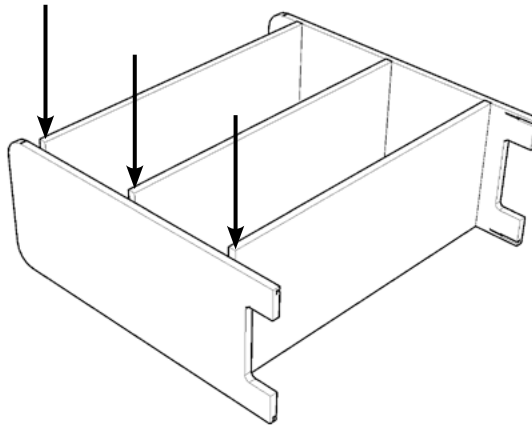
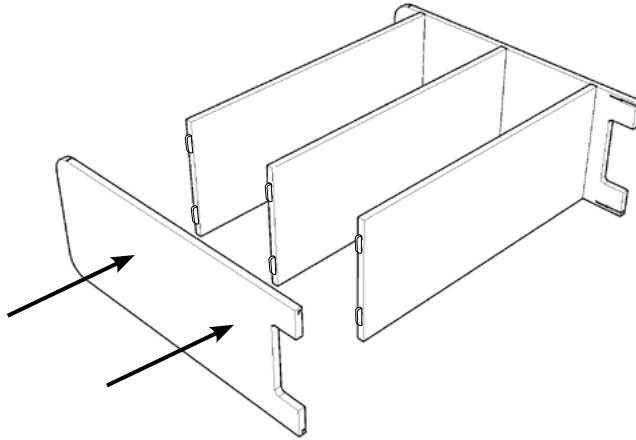



still confused? scan this code to watch the assembly video! 



5

attach L side panel (A2), and lock each shelf into place.

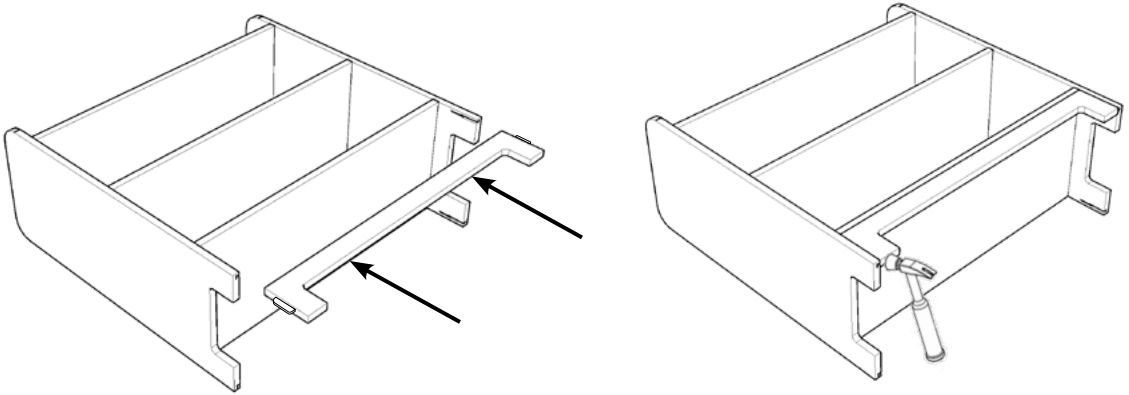


still confused? scan this code to watch the assembly video! 



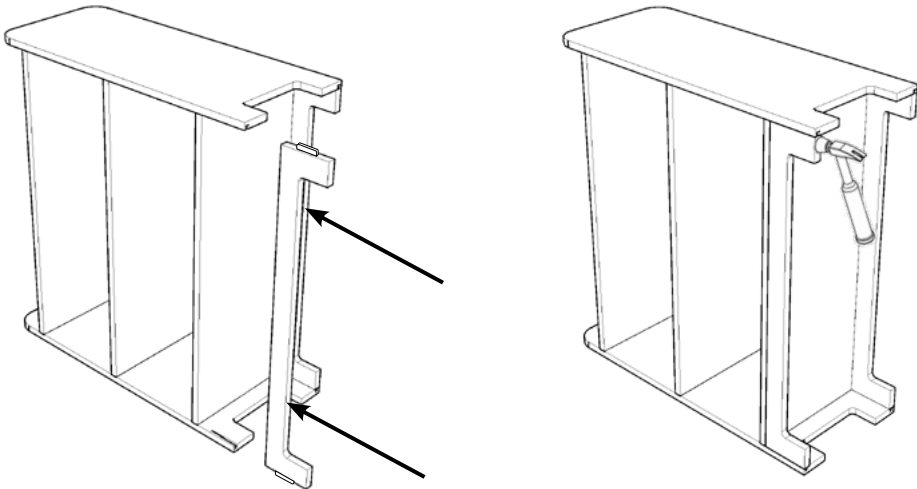
6

insert stretcher (C), and apply hammer cap (D) to a household hammer. tap into place.



7

flip, and insert second stretcher (C). tap to lock into place.

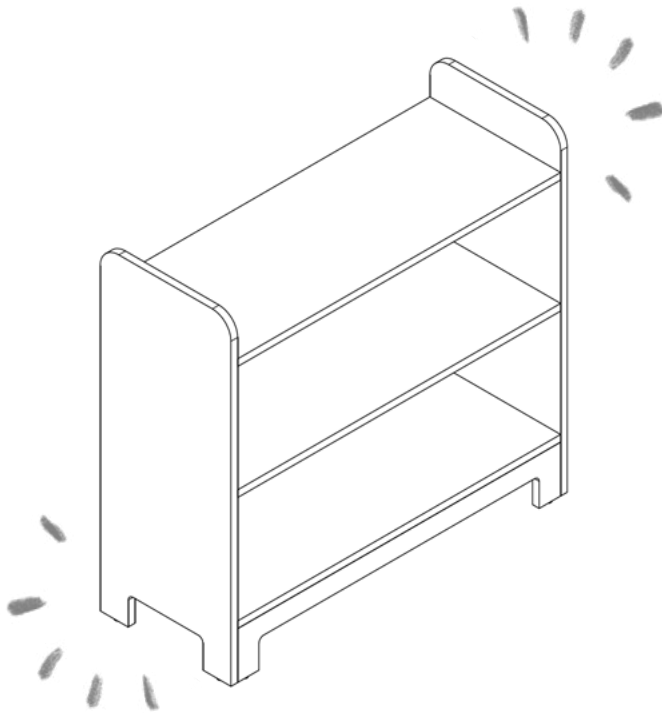


still confused? scan this code to watch the assembly video! —————>



huzzah! you did it!

give yourself a pat on the back, take a bow,
or go home for a pint of ice cream...we don't judge.



prefer to talk to a human instead? we're here for you!

contact our customer advocate team below:



212.226.1868



quack@ducducnyc.com



live chat at
ducducnyc.com



200 lexington ave,
ny, ny 10016