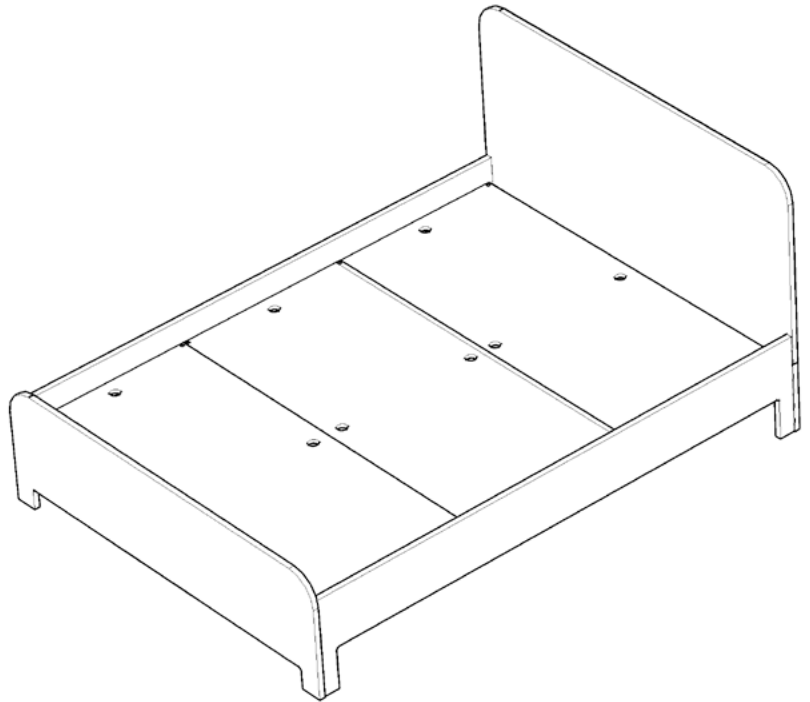




## ASSEMBLY INSTRUCTIONS

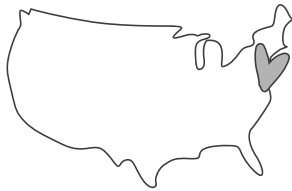
# juno full bed

a how-to guide that won't leave you in tears



parenting is hard.  
**this is easy.**

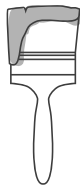
*no really, it is.*



**MADE HERE™**



**MADE WELL™**



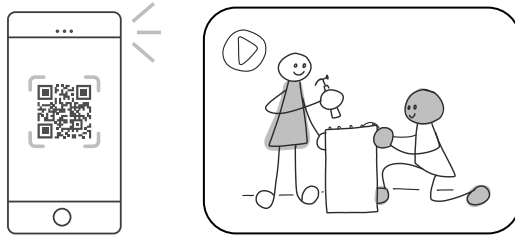
**MADE SAFE**



**MADE SMART**

# want to watch this assembly IRL?

(acronym challenged? that means “in real life”.)



open the camera on your phone and place it over the QR code below to see our NYC studio dream team do all the heavy lifting (just kidding, there is none!)



or go to [ducdcnyc.com/pages/assembly-instructions](https://ducdcnyc.com/pages/assembly-instructions)

**thank you for selecting a  
studio duc product!**

please check contents against the components list in these instructions. also, please ensure there was no damage that may have occurred in shipping.

if any components are missing or you find any damage, please contact ducduc before continuing.

read all the instructions before use.

pay close attention to the safety warnings in these instructions.

a minimum of two people is required to safely assemble and move the full bed. do not attempt to move this full bed alone — dragging or sliding it across a floor may cause structural damage.

**MAINTENANCE:**

please remember to securely tighten all bolts and fasteners, and periodically check to make sure every component is properly and securely in place and all bolts and fasteners are tight.

**CLEANING:**

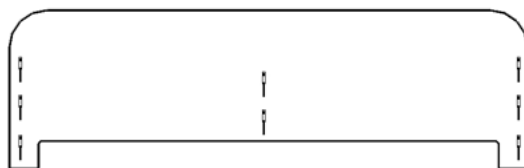
do not scratch or chip the finish. do not use abrasive chemicals for cleaning. clean with mild soap on a soft rag. rinse and dry thoroughly. if you ever refinish this furniture, be sure to use only a non-toxic finish specified for children's furniture.

**KEEP INSTRUCTIONS FOR FUTURE USE**

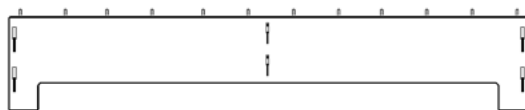
# WHAT'S IN THE BOX:



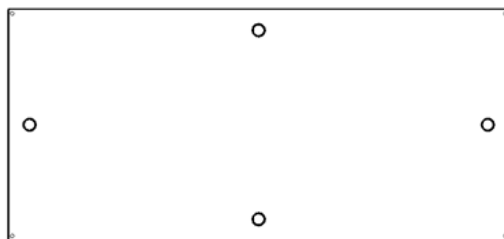
**A1**  
headboard top



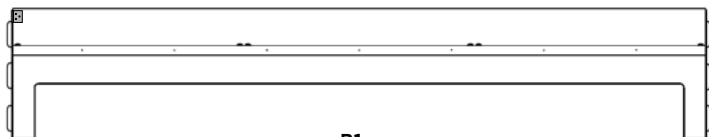
**C**  
footboard



**A2**  
headboard base



**D (x3)**  
mattress panels



**B1**  
L side rail



**E (x2)**  
25mm JCB bolt



**F**  
hammer cap



**B2**  
R side rail



**G**  
allen key (4mm)

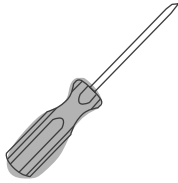


**H**  
center support rail



**H (x6)**  
screws

## WHAT YOU'LL NEED:



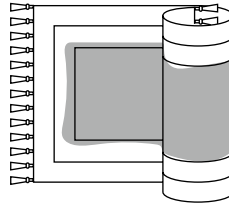
**phillips head screwdriver  
and/or drill with 6mm bit**



**household hammer or  
rubber mallet**



**10 minutes**  
*(or less)*

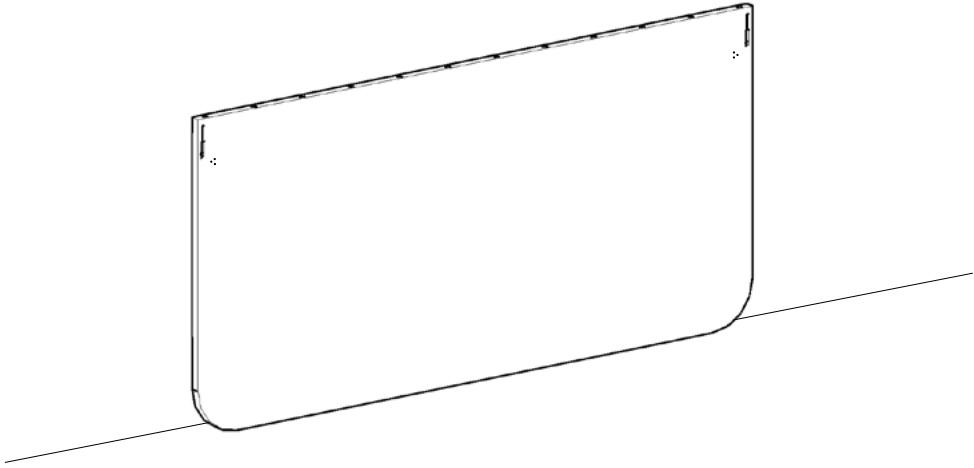


**a soft surface to assemble on**  
*(like a rug or some of the corrugate  
box your piece arrived in)*

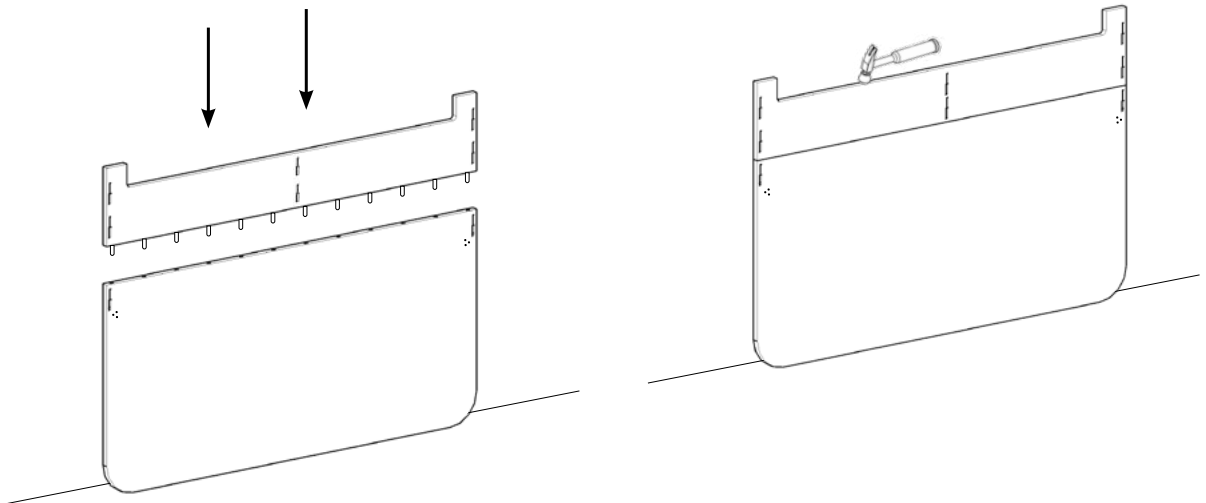


**2 people**  
**plus a dog for moral support**  
*(unless you're a cat person)*

**1** lean headboard top (A1) against wall so holes are facing up and slots are facing away from wall as shown.



**2** apply hammer cap (F) to the head of a household hammer. line up connectors on headboard base (A2) with holes on headboard top (A2). tap with hammer and hammer cap (F) until there is no gap at the connection.



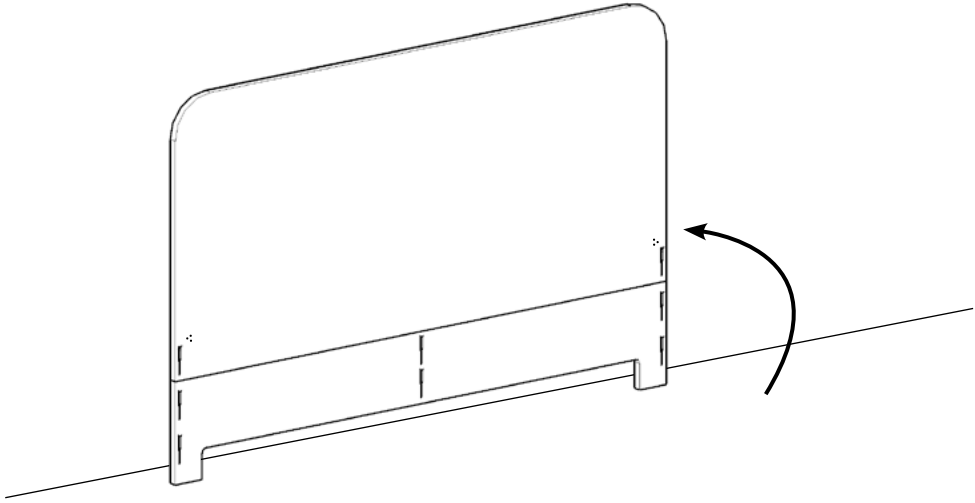
confused? scan this code to watch the assembly video!





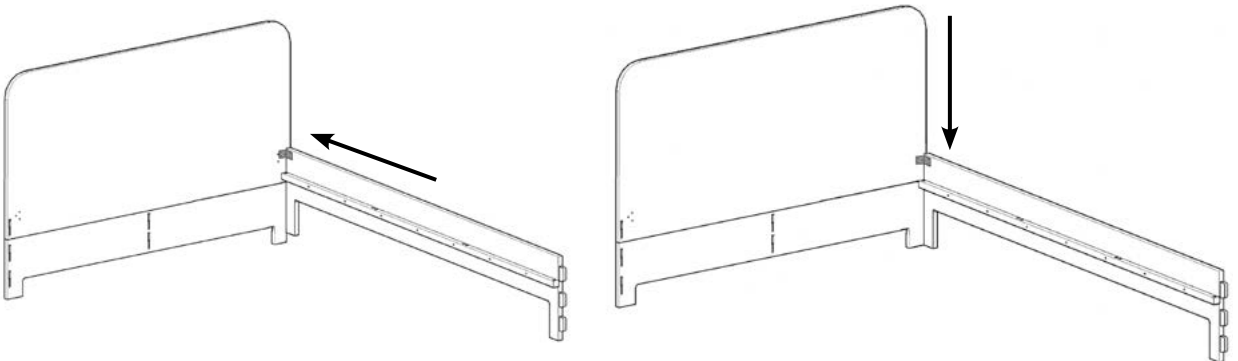
# 3

with a friend, rotate assembled headboard (A1 + A2) into upright position as shown.



# 4a

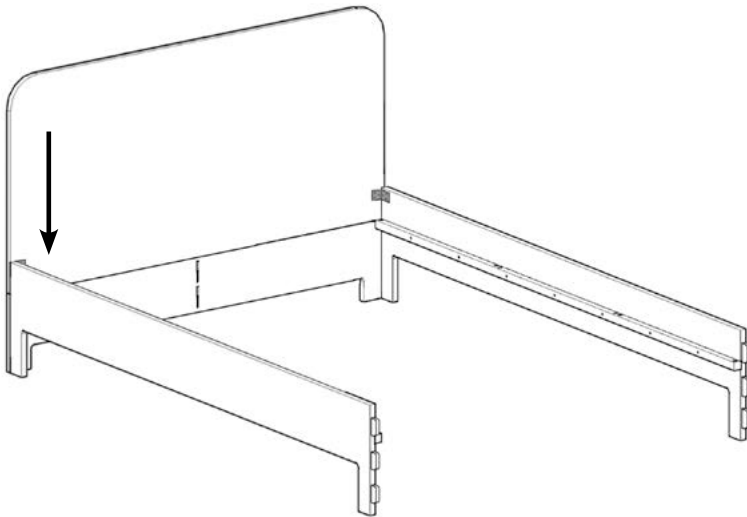
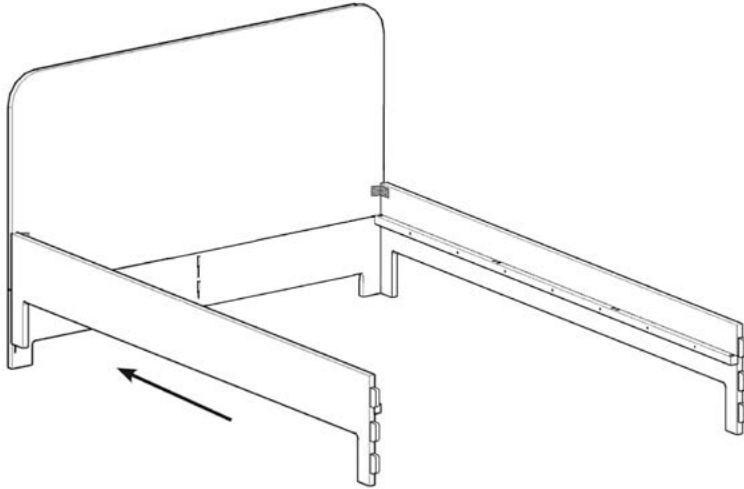
insert connectors on R side rail (B2) with slots on assembled headboard (A1 + A2). push down at the connection to lock into place.



confused? scan this code to watch the assembly video!



**4b** insert connectors on L side rail (B1) into slots on assembled headboard (A1 + A2). push down at the connection to lock into place.

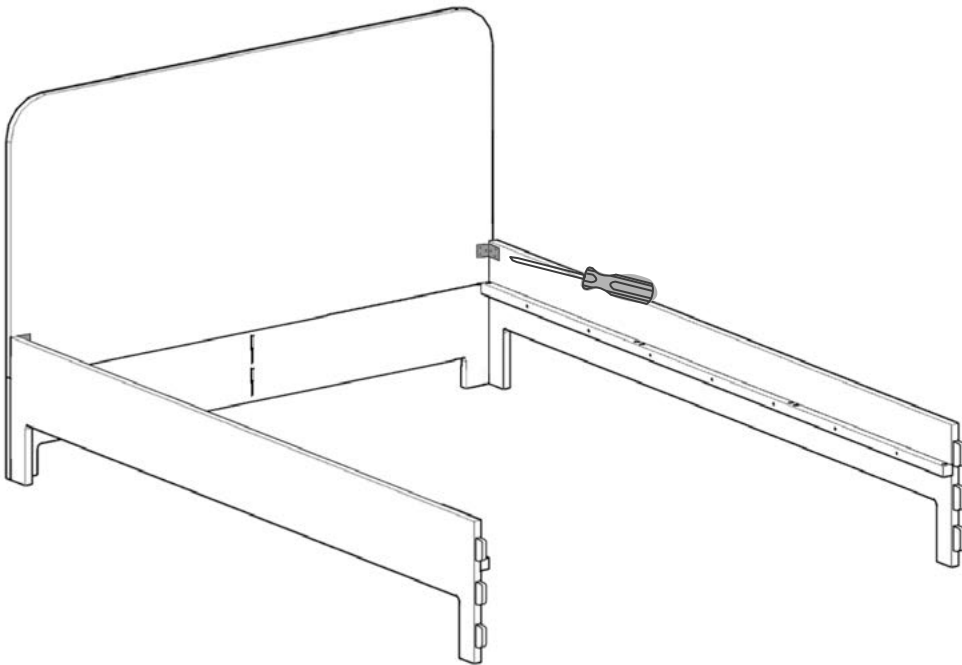
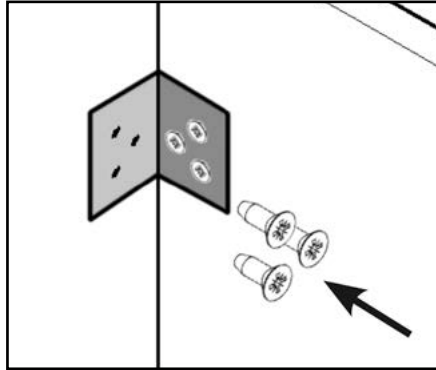


still confused? scan this code to watch the assembly video! —————>



# 5

locate the metal bracket attached to each side panel, facing the headboard. be sure that the 3 holes on the metal bracket are aligned with the pre-drilled holes on your headboard. then, starting on one side, take 3 screws (H) and insert them through the bracket and into the pre-drilled holes of the headboard. using your screw driver, fully tighten the screws. then repeat on the remaining side panel.



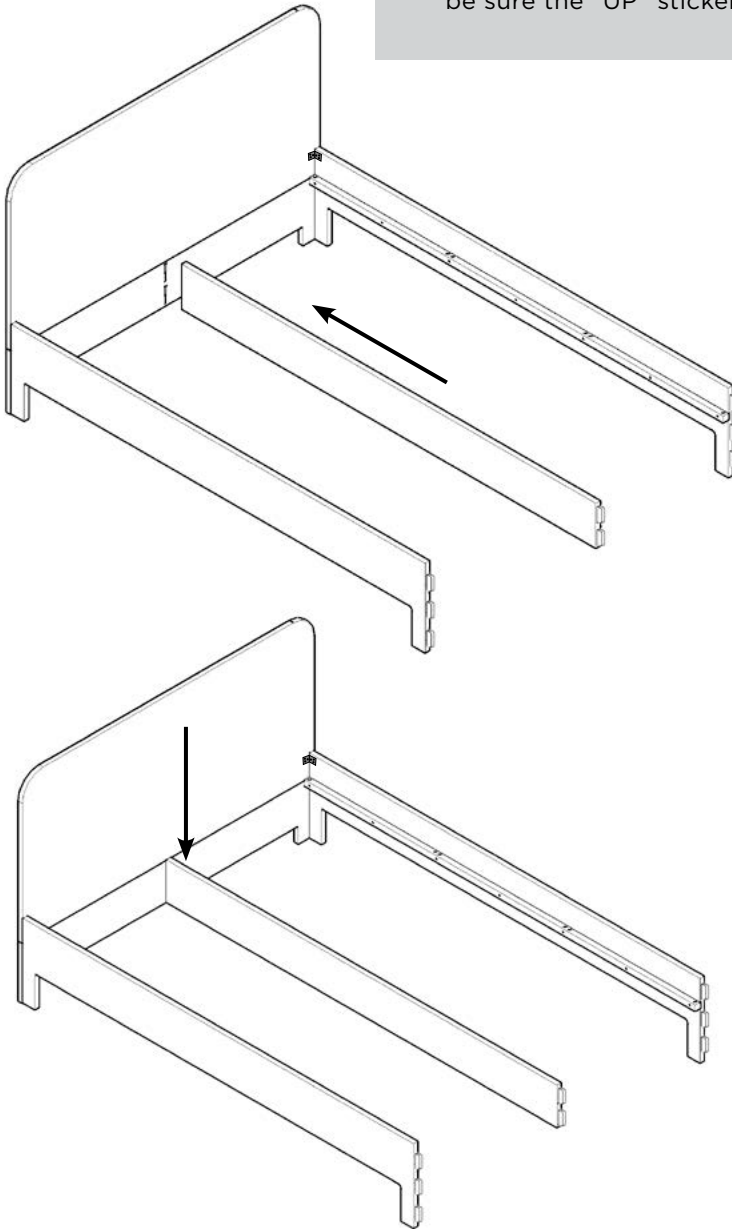
confused? scan this code to watch the assembly video!



# 6

insert connectors on center support rail (H) into slots on assembled headboard (A1 + A2).  
push down at the connection to lock into place.

important!  
be sure the "UP" sticker is facing up

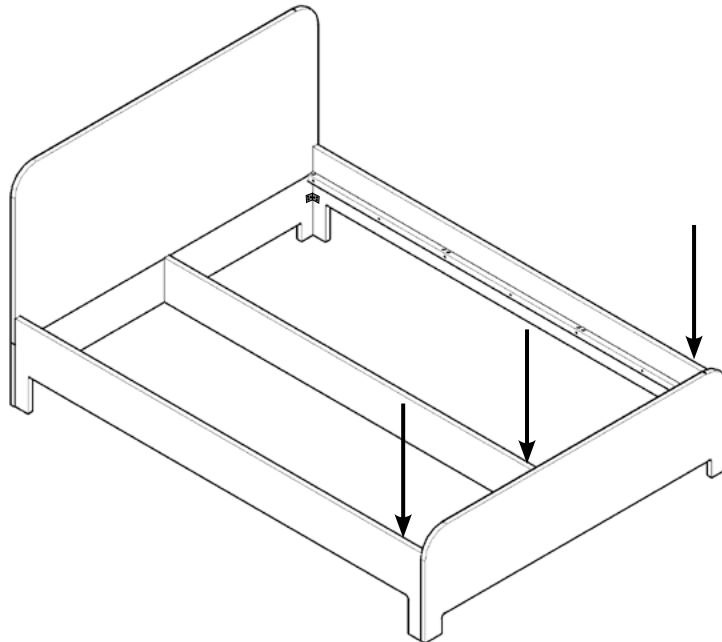
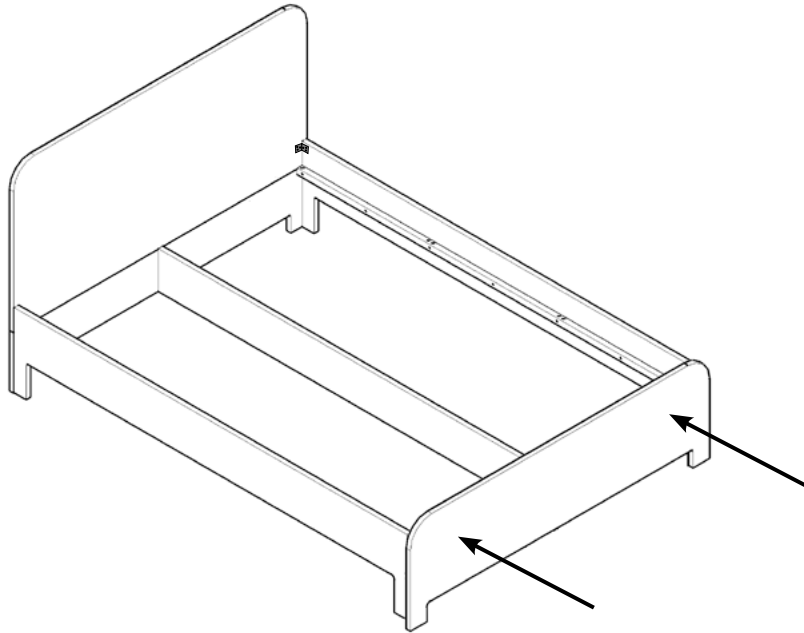


confused? scan this code to watch the assembly video!



# 7

insert connectors on both side rails (A1 + A2) and center support rail (H) into slots on footboard (C). push down at the connections to lock into place.

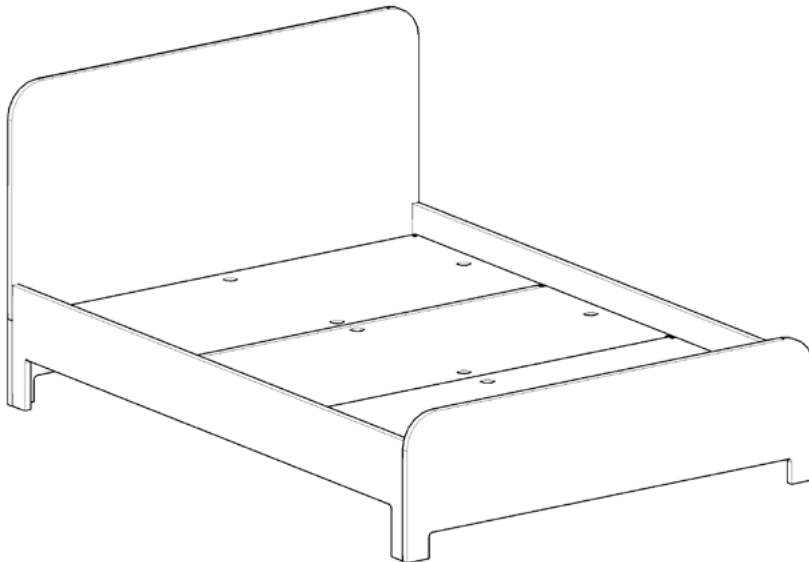
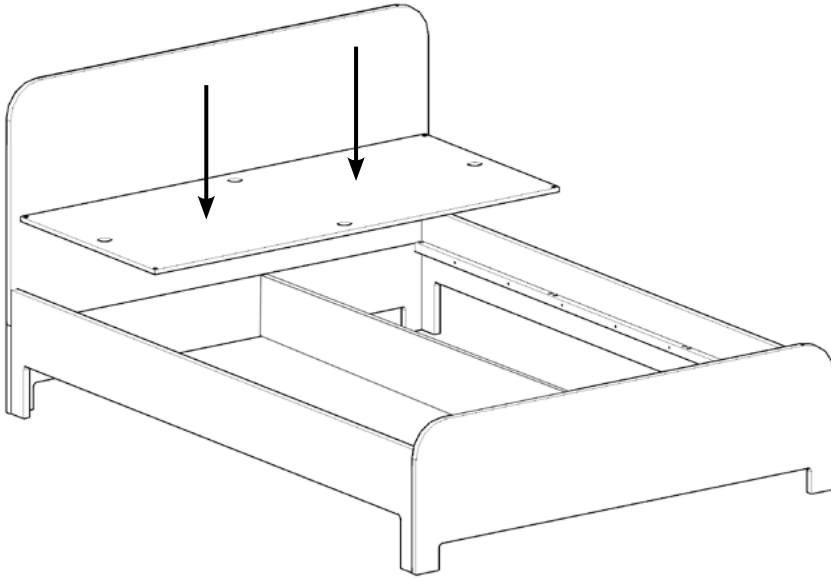



still confused? scan this code to watch the assembly video! →



# 8

with a friend, lift one mattress panel (D) and place on side rail (B1 + B2) supports and center support rail (H) so the connectors on side rails align with holes on underside of mattress panel (D). repeat until all mattress panels (D) are secured in place.

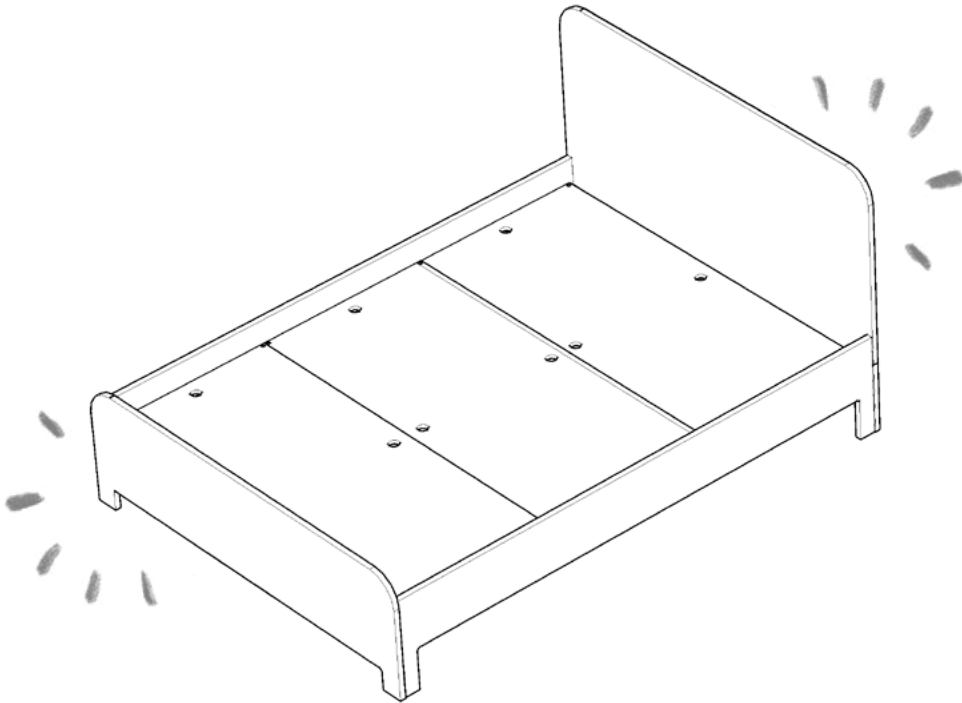


still confused? scan this code to watch the assembly video! 



# hooray! you did it!

give yourself a pat on the back, take a bow,  
or go home a pint of ice cream...we don't judge.



# prefer to talk to a human instead? we're here for you!

contact our customer advocate team below



212.226.1868



[quack@ducducnyc.com](mailto:quack@ducducnyc.com)



live chat at  
[ducducnyc.com](https://ducducnyc.com)



200 lexington ave  
ny, ny 10016