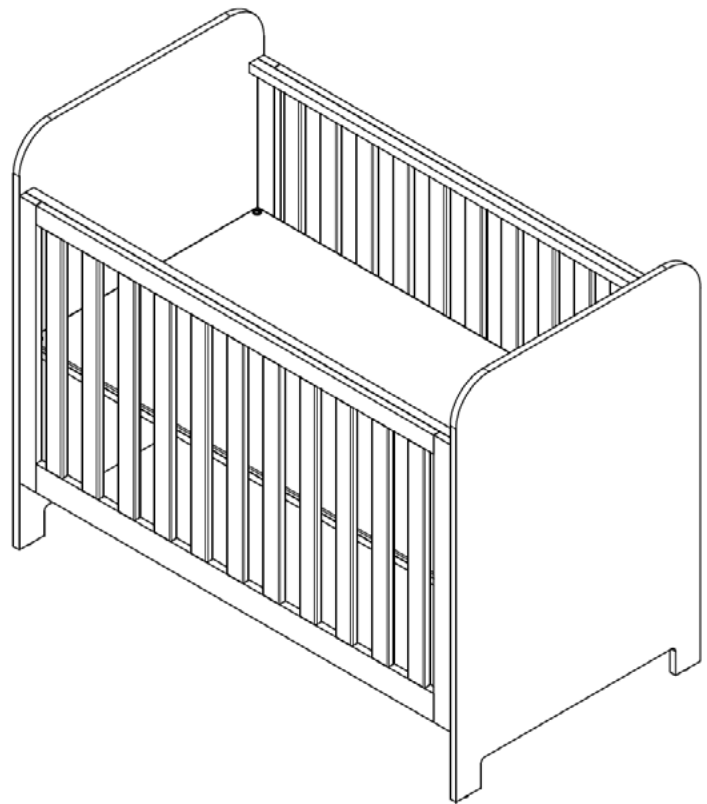




ASSEMBLY INSTRUCTIONS

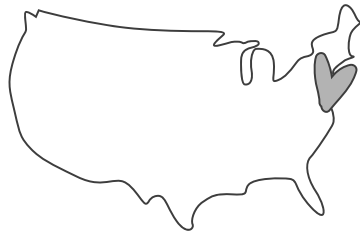
juno crib

a how-to guide that won't leave you in tears.

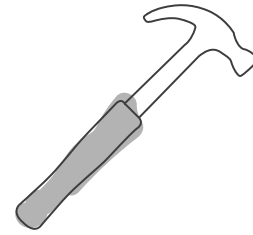


parenting is hard.
this is easy.

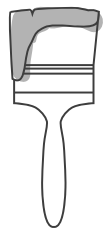
no really, it is.



MADE HERE™



MADE WELL™



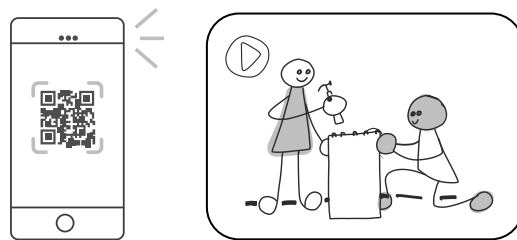
MADE SAFE



MADE SMART

want to watch this assembly IRL?

(acronym challenged? that means in real life)



open the camera on your phone and place it over the QR code below to see our NYC studio dream team do all the heavy lifting (just kidding, there is none!)



or go to ducdcnyc.com/assembly-instructions

**thank you for selecting a
studio duc product!**

Please check contents against the components list in these instructions. Also, please ensure there was no damage that may have occurred in shipping.

If any components are missing or you find any damage, please contact ducduc before continuing.

Read all the instructions before use of the crib.

Please remember to securely tighten all bolts and fasteners, and periodically check to make sure every component is properly and securely in place and all bolts and fasteners are tight.

Pay close attention to the safety warnings in these instructions and on crib labels.

A minimum of two people is required to safely assemble and move the crib. Do not attempt to move this crib alone - dragging or sliding it across a floor may cause structural damage.

KEEP INSTRUCTIONS FOR FUTURE USE

OPERATION + MATTRESS PANEL ADJUSTMENT:

The mattress height should be lowered as your baby grows to ensure that he/she does not climb out of the crib. When child is able to pull to standing position, set mattress to lowest position and remove bumper pads, large toys and other objects that could serve as steps for climbing out. Regularly assess your baby's abilities and make adjustments accordingly.

To adjust the height of the mattress support, remove the mattress from the crib. Unscrew all four MATTRESS SUPPORT BOLTS E, remove all LOCKING WASHERS G and FLAT WASHERS F and remove MATTRESS PANEL C. Remove and re-insert the smooth ends of each MATTRESS SUPPORT PIN D in mattress support holes on SIDE RAILS B at desired height. Refer to steps 8 through 9 for re-inserting MATTRESS PANEL C and reattaching FLAT WASHER F, LOCKING WASHERS G and MATTRESS SUPPORT BOLTS E.

MAINTENANCE:

Periodically check to make sure every component is properly and securely in place and all bolts and fasteners are tight.

CLEANING:

Do not scratch or chip the finish. Do not use abrasive chemicals for cleaning. Clean with mild soap on a soft rag. Rinse and dry thoroughly. If you ever refinish this furniture, be sure to use only a non-toxic finish specified for children's furniture.

STORAGE:

Store crib in a dry area.

CAUTION

any mattress used in this crib shall be at least 27¹/₄ by 51⁵/₈ in. with a thickness not exceeding 6 in.

WARNING

Failure to follow these warnings and the assembly instructions could result in serious injury or death.

Read all instructions before assembling crib. KEEP INSTRUCTIONS FOR FUTURE USE.

Infants can suffocate on soft bedding. Never add a pillow or comforter. Never place additional padding under infant.

To reduce the risk of SIDS, pediatricians recommend healthy infants be placed on their backs to sleep, unless otherwise advised by your physician.

STRANGULATION HAZARD:

Strings can cause strangulation! Do not place items with a string around a child's neck, such as hood strings or pacifier cords. Do not suspend strings over a crib or attach strings to toys.

To help prevent strangulation tighten all fasteners. A child can trap parts of the body or clothing on loose fasteners.

DO NOT place crib near window where cords from blinds or drapes may strangle a child.

FALL HAZARD:

When child is able to pull to a standing position, set mattress to lowest position and remove bumper pads, large toys and other objects that could serve as steps for climbing out.

Stop using crib when child begins to climb out or reaches the height of 35 in. (89 cm.).

Check this product for damaged hardware, loose joints, loose bolts or other fasteners, missing parts, or sharp edges before and after assembly and frequently during use.

Securely tighten loose bolts and other fasteners. DO NOT use crib if any parts are missing, damaged or broken. Contact ducduc for replacement parts and instructional literature if needed. DO NOT substitute parts.

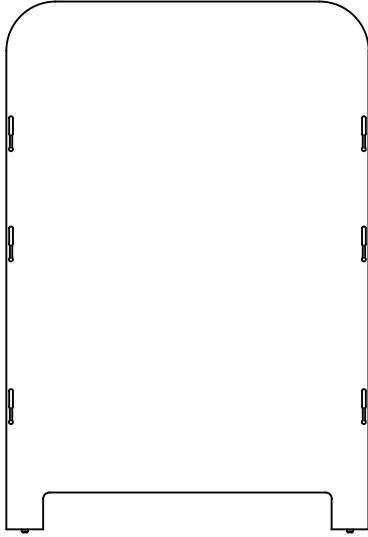
If refinishing, use a non-toxic finish specified for children's products.

Follow warnings on all products in a crib.

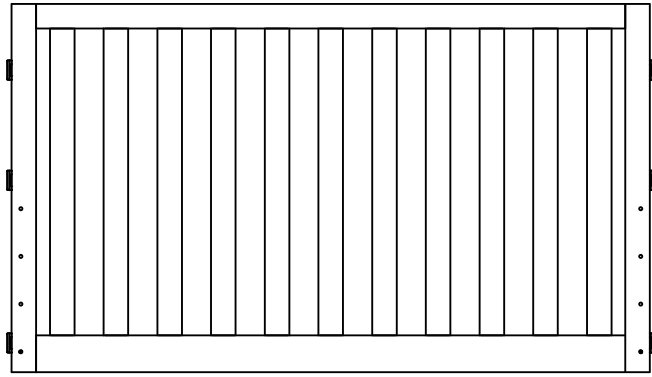
Never use plastic shipping bags or other plastic film as mattress covers because they can cause suffocation.

Infants can suffocate in gaps between crib sides and a mattress that is too small.

WHAT'S IN THE BOX:



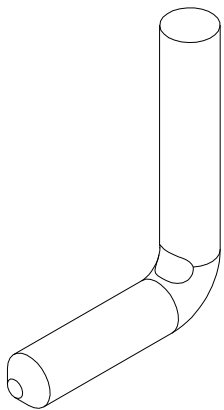
A (x2)
end panel



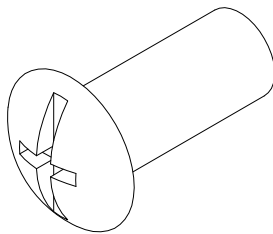
B (x2)
side rail



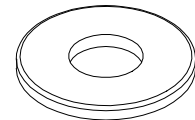
C
mattress panel



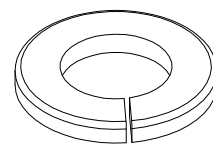
D (x4)
mattress support pin



E (x4)
mattress support bolt

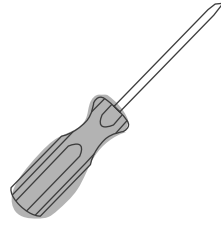


F (x4)
5/16" flat washer



G (x4)
5/16" locking washer

WHAT YOU'LL NEED:



phillips head screwdriver



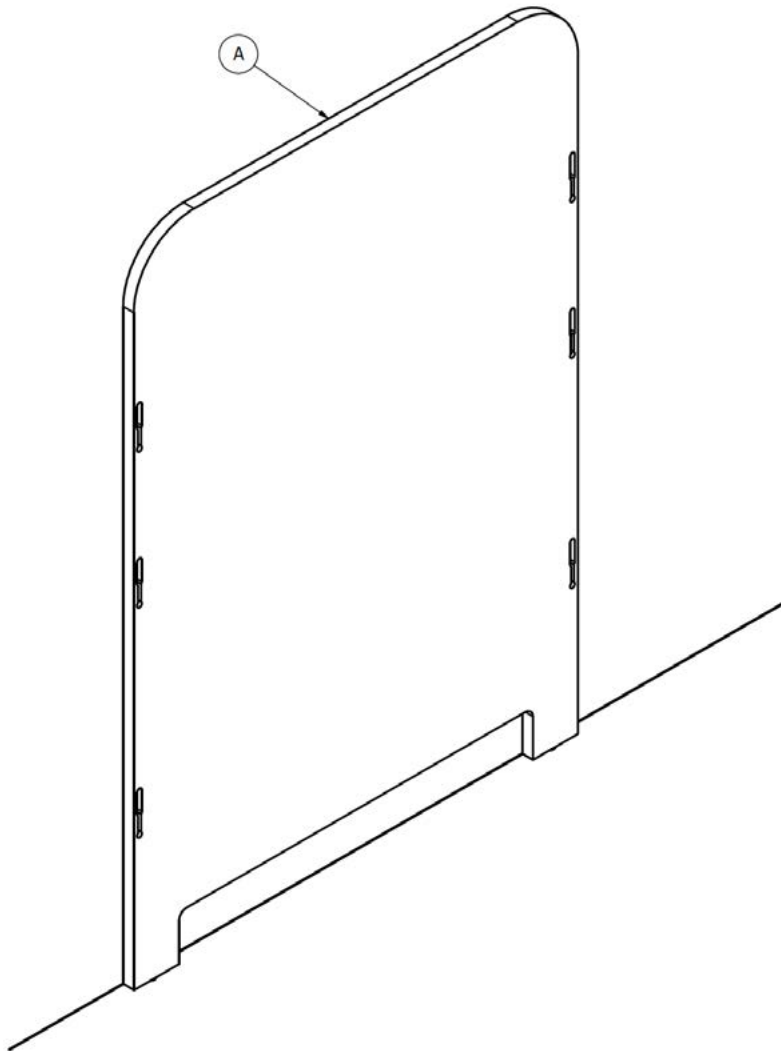
**15 minutes
(or less)**



**2 people
plus a dog for moral support
(unless you're a cat person)**

1

Lean A against the wall.



duc insider tip

Steps in this assembly will require parts to be flat on the floor.

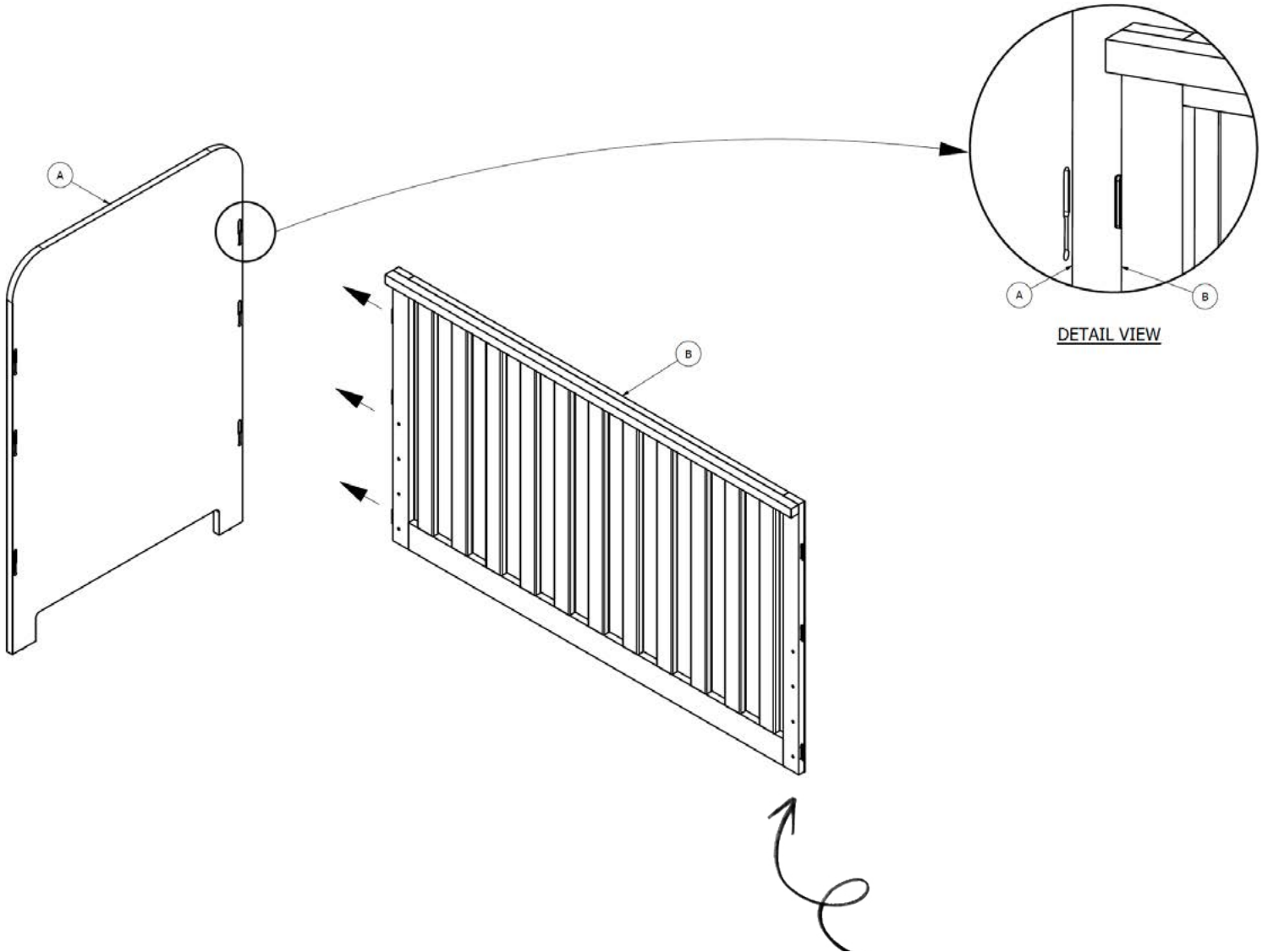
Assemble on a soft surface to prevent any damage. Try a rug, a blanket, or even a sheet of foam from the packaging!

still confused? scan this code to watch the assembly video! →



2

Insert B connectors into slots on right side of A.



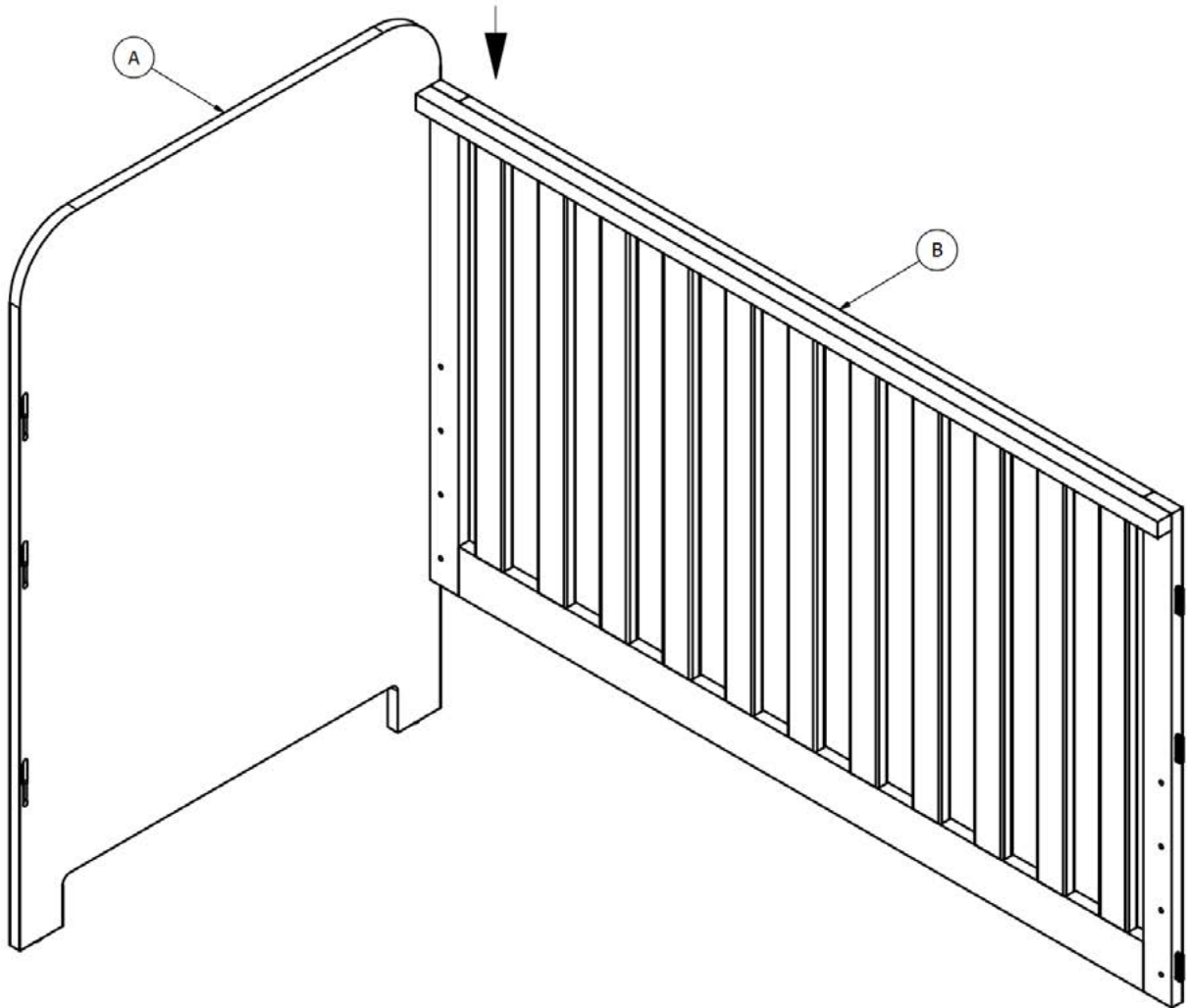
be sure the (4) holes are in the **bottom interior position when connecting both (B) parts to both (A) parts**

still confused? scan this code to watch the assembly video! →



3

Push B down to lock connectors into place.

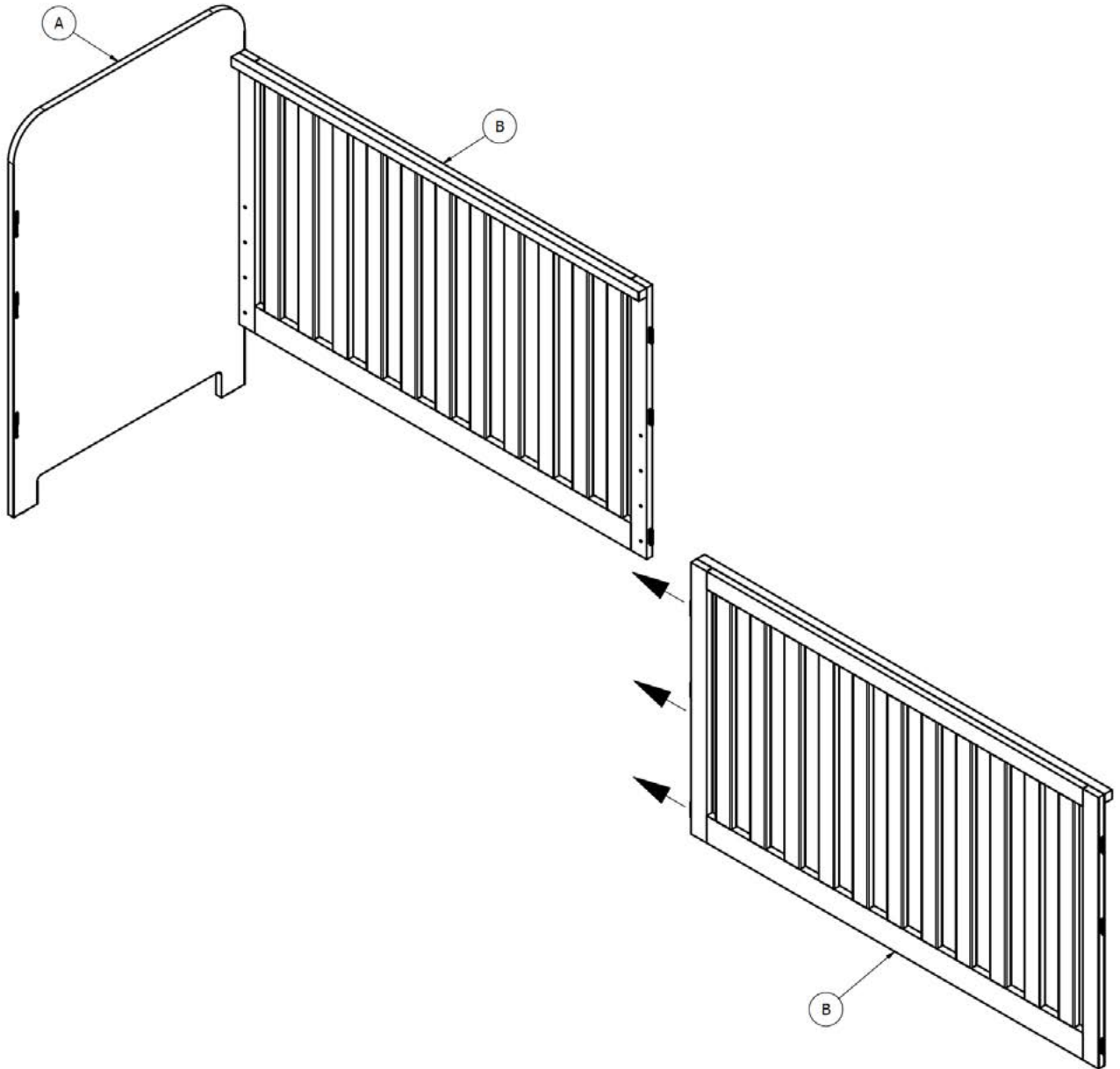


still confused? scan this code to watch the assembly video! →



4

Repeat STEPS 2 + 3 to lock remaining part B into place.

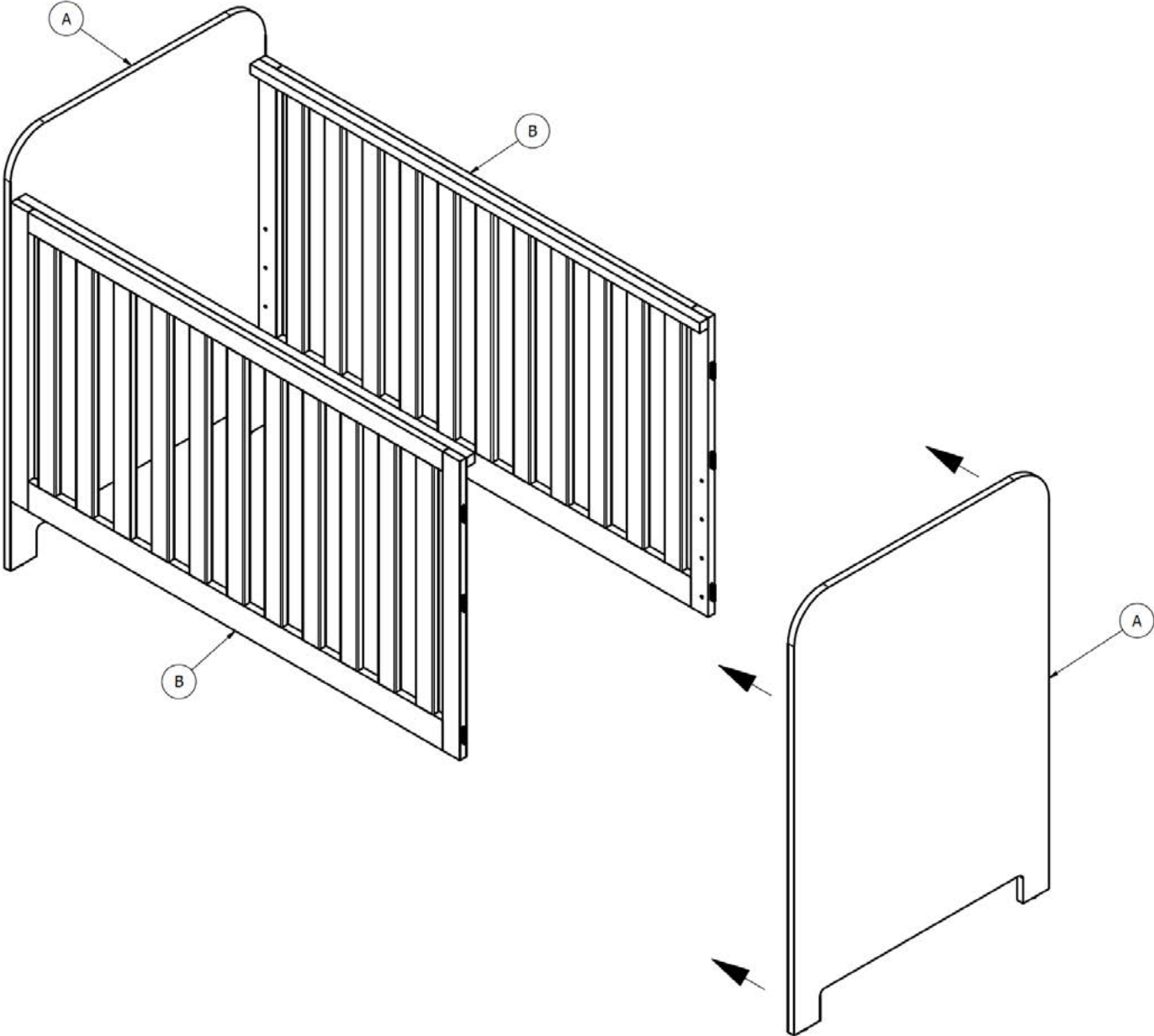


still confused? scan this code to watch the assembly video! →



5

Insert the connectors on both parts B into slots on remaining part A.

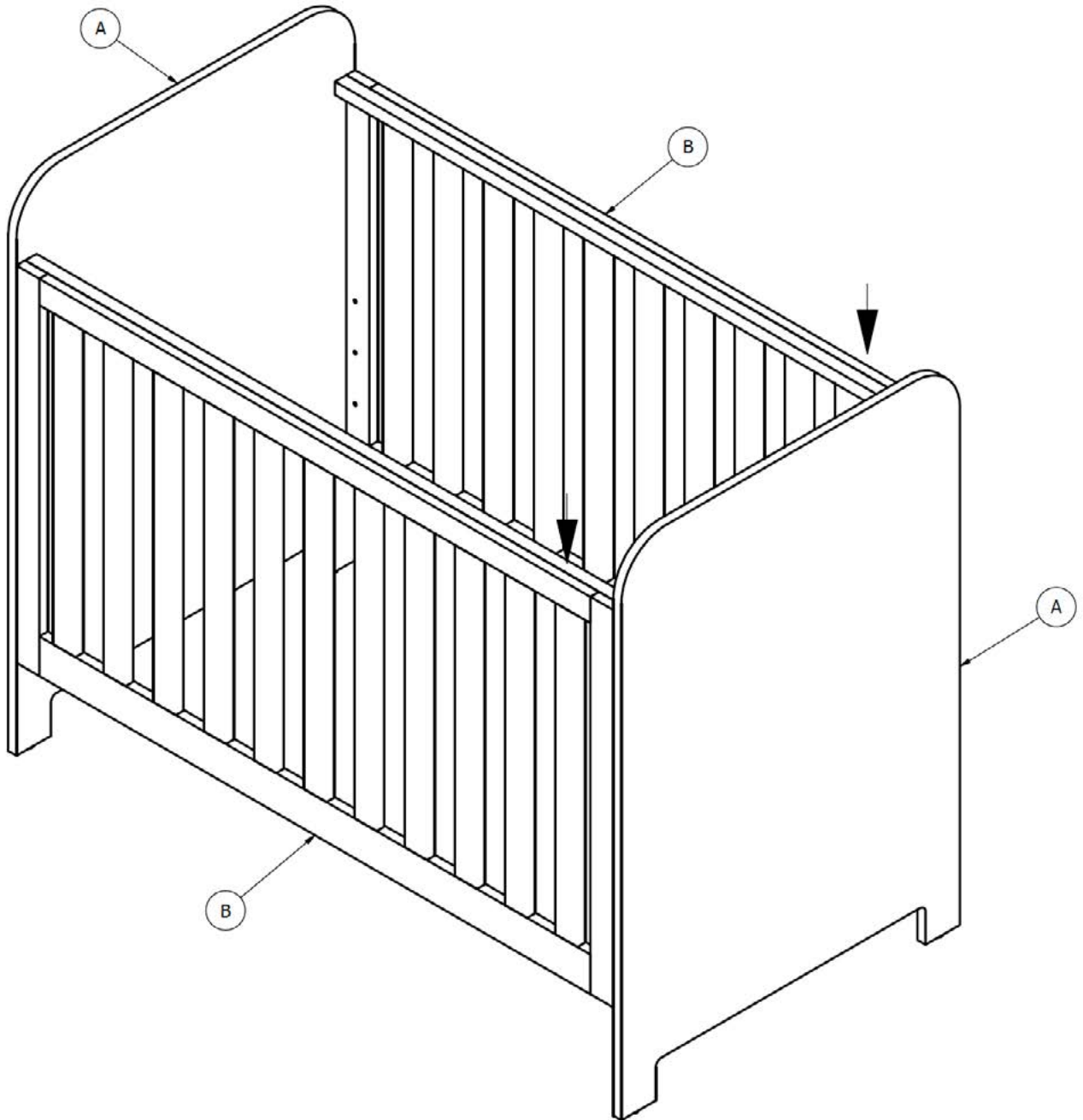


still confused? scan this code to watch the assembly video! →



6

Push both parts B down to lock connectors into place.

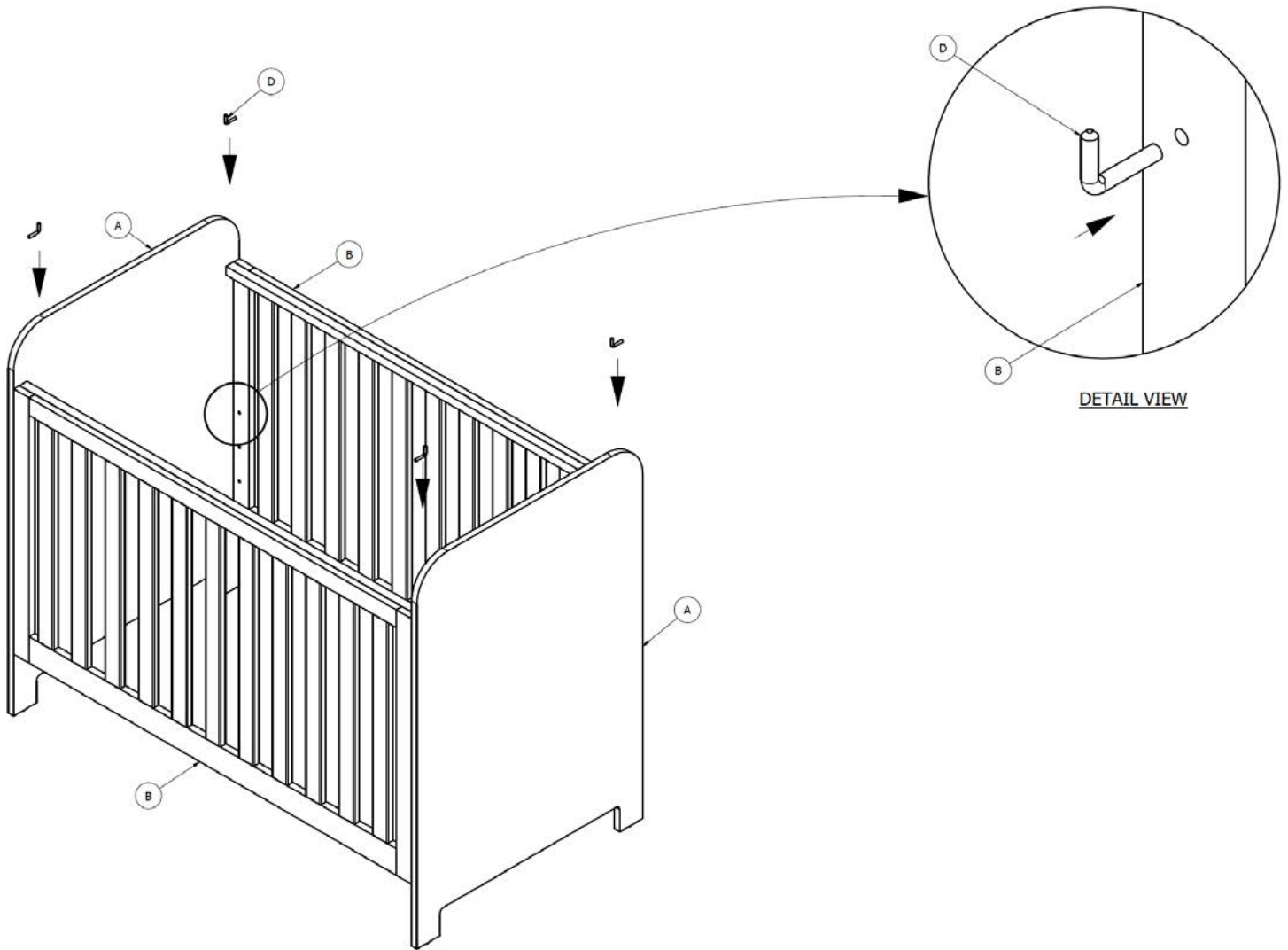


still confused? scan this code to watch the assembly video! →



7

Insert hardware D (qty: 4) into the top hole on each side of B. Make sure hardware D is the same height on all 4 sides.



duc insider tip

If you're setting up the crib for a newborn, start with the mattress panel in the highest position (hardware in the top most holes).

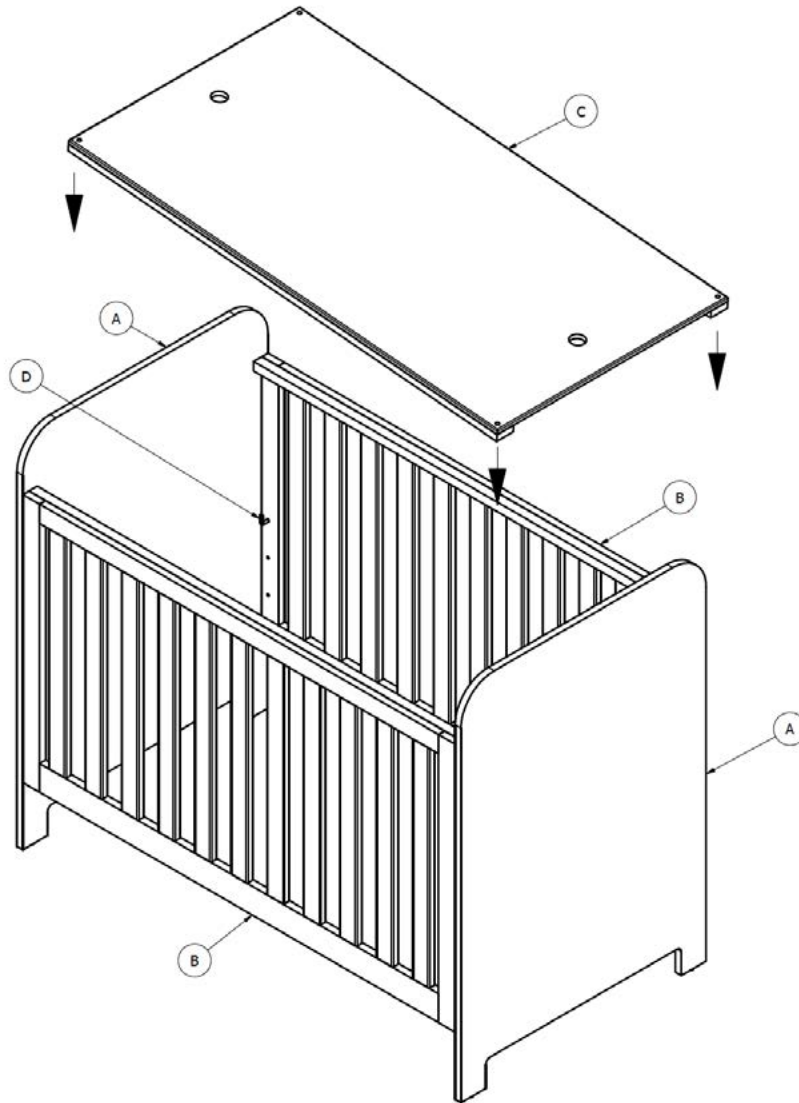
As baby gets older, adjust the mattress panel to the lower settings as needed for more space. See operation + mattress panel adjustment instructions on page 5.

still confused? scan this code to watch the assembly video! →



8

Place C into the crib so each piece of hardware D is inserted into a hole.



duc insider tip

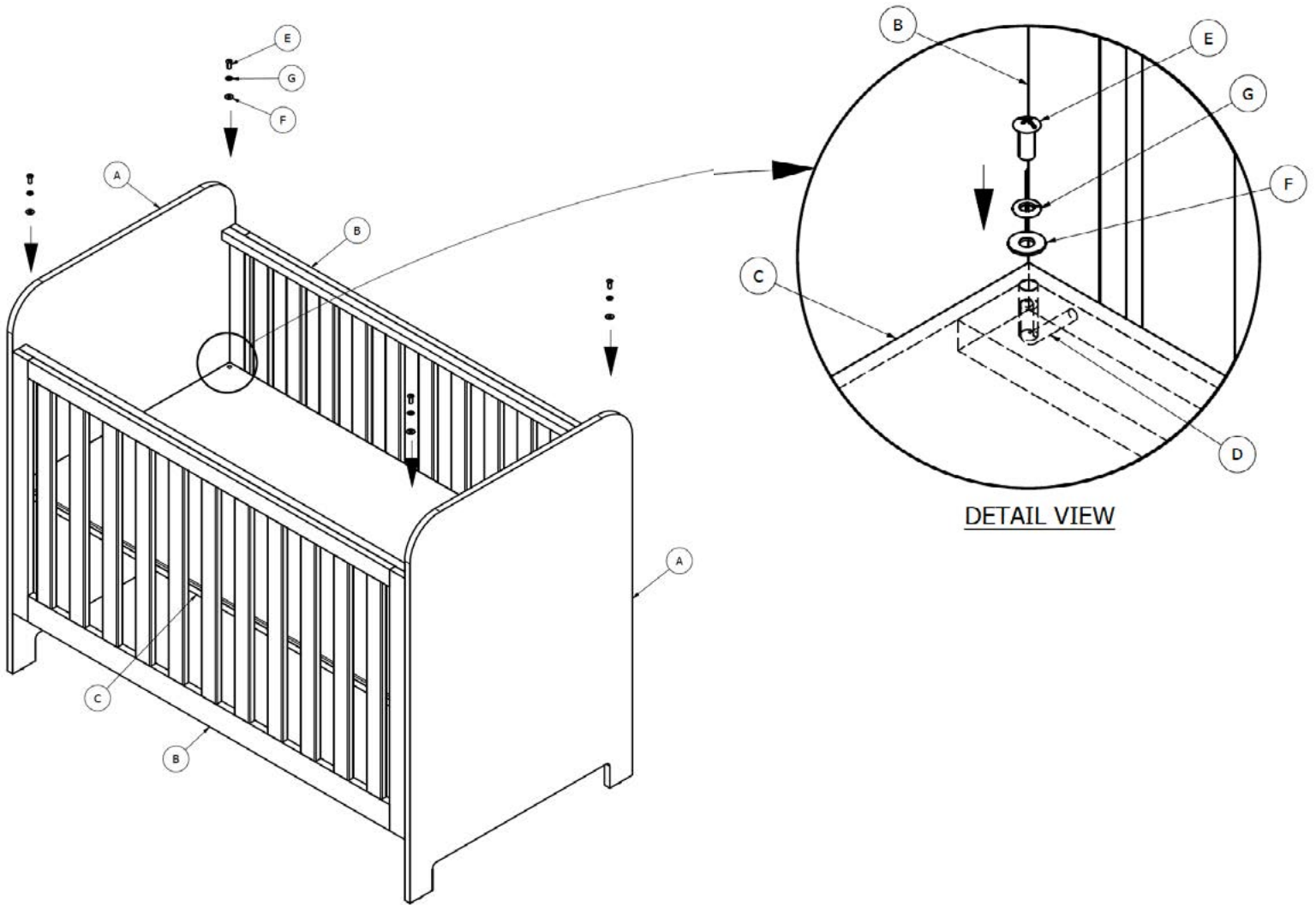
Tilt C down as shown when placing inside the crib for an easy and smooth transition.

still confused? scan this code to watch the assembly video! →



9

Place hardware G and F as shown in detail onto C, then screw in hardware E using a phillips head screwdriver. Repeat on all four sides.

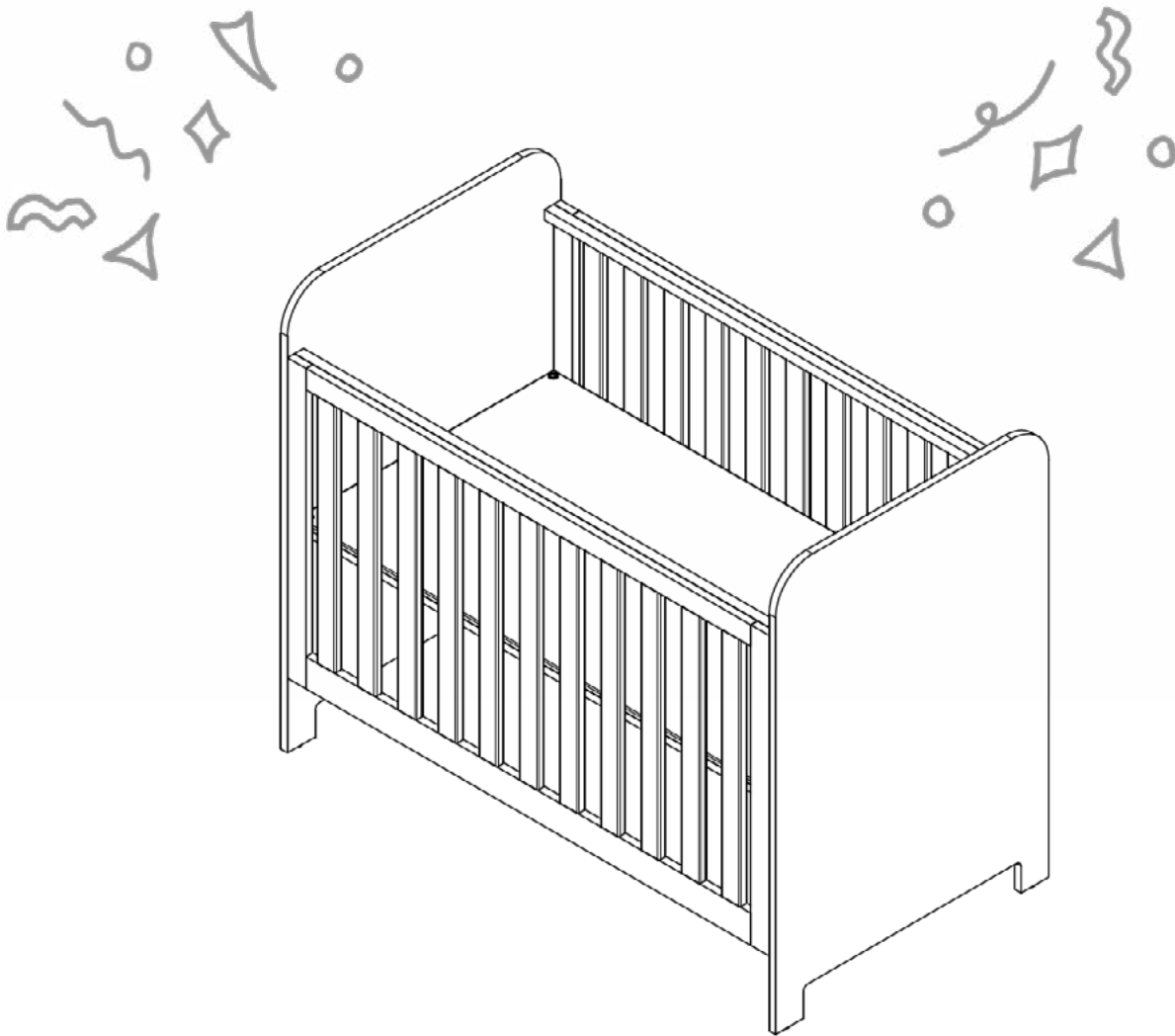


still confused? scan this code to watch the assembly video! →



yipee! you did it!

give yourself a pat on the back, take a bow,
or go home a pint of ice cream...we don't judge.



prefer to talk to a human instead? we're here for you!

contact our customer advocate team below



212.226.1868



quack@ducducnyc.com



live chat at
ducducnyc.com



200 lexington, no. 701
ny, ny 10016