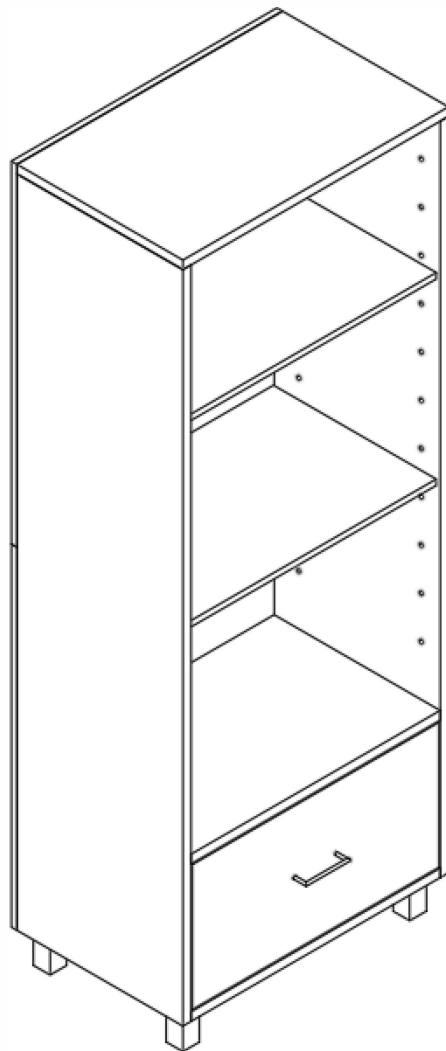




ASSEMBLY INSTRUCTIONS

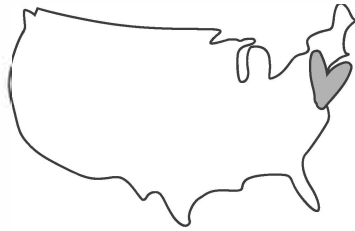
indi tall bookcase

a how-to guide that won't leave you in tears

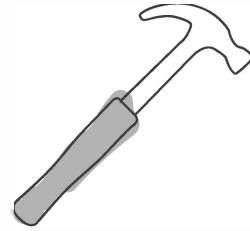


parenting is hard.
this is easy.

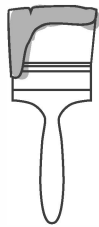
no really, it is.



MADE HERE™



MADE WELL™



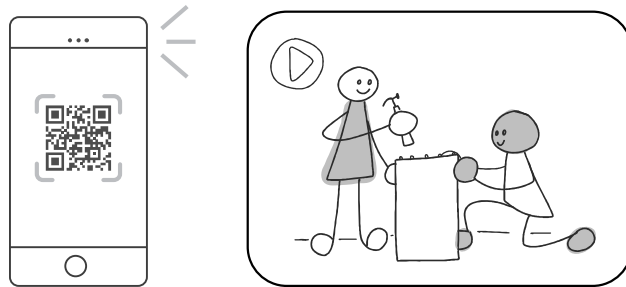
MADE SAFE



MADE SMART

want to watch this assembly IRL?

(acronym challenged? that means “in real life”.)



open the camera on your phone and place it over the QR code below to see our NYC studio dream team do all the heavy lifting (just kidding, there is none!)



or go to ducdcnyc.com/pages/assembly-instructions

**thank you for selecting a
studio duc product!**

please check contents against the components list in these instructions. also, please ensure there was no damage that may have occurred in shipping.

if any components are missing or you find any damage, please contact ducduc before continuing.

read all the instructions before use.

pay close attention to the safety warnings in these instructions.

a minimum of two people is required to safely assemble and move the bookcase. do not attempt to move this bookcase alone — dragging or sliding it across a floor may cause structural damage.

MAINTENANCE:

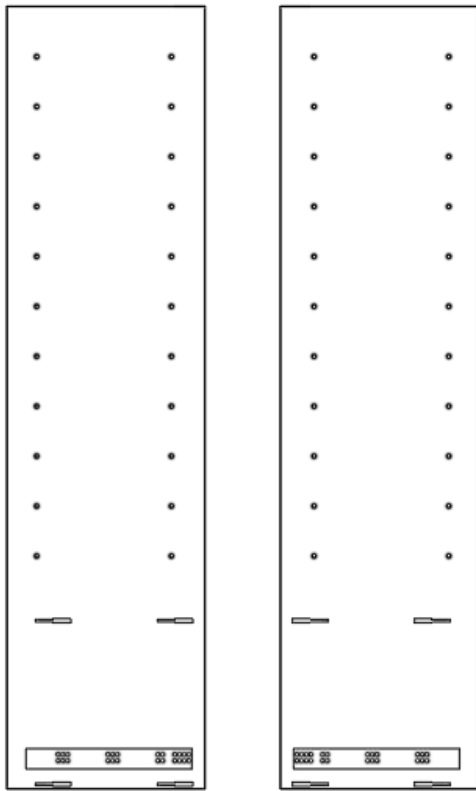
please remember to securely tighten all bolts and fasteners, and periodically check to make sure every component is properly and securely in place and all bolts and fasteners are tight.

CLEANING:

do not scratch or chip the finish. do not use abrasive chemicals for cleaning. clean with mild soap on a soft rag. rinse and dry thoroughly. if you ever refinish this furniture, be sure to use only a non-toxic finish specified for children's furniture.

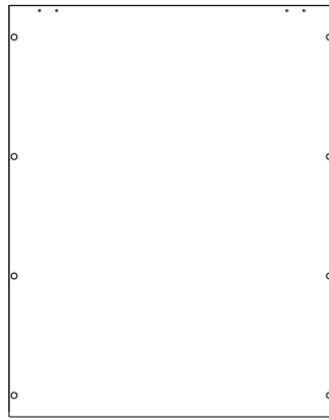
KEEP INSTRUCTIONS FOR FUTURE USE

WHAT'S IN THE BOX:



A1
R side

A2
L side



B1
upper back



B2
lower back



DB1
drawer face



DB2
drawer box back



DB3
L drawer box side



DB4
R drawer box side



DB5
drawer box bottom



C
bottom



D
fixed shelf



DB6
indi pull



DB7 (x2)
screw for indi pull



E
top



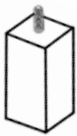
F (x2)
adjustable shelf



M1 (x6)
cinch pins



M2 (x6)
dowel pins



G + H (x4)
foot with bolt attached



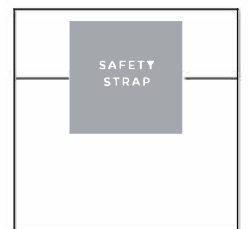
I
t - nut



J (x8)
shelf pin

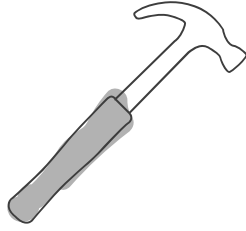


K
hammer cap

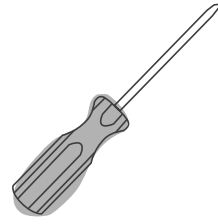


L
safety strap kit
(with hardware)

WHAT YOU'LL NEED:



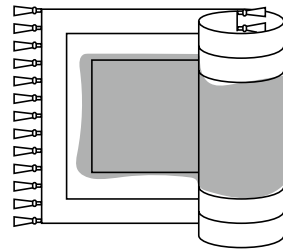
**household hammer or
rubber mallet**



phillips head screwdriver



20 minutes
(or less)



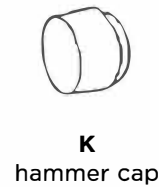
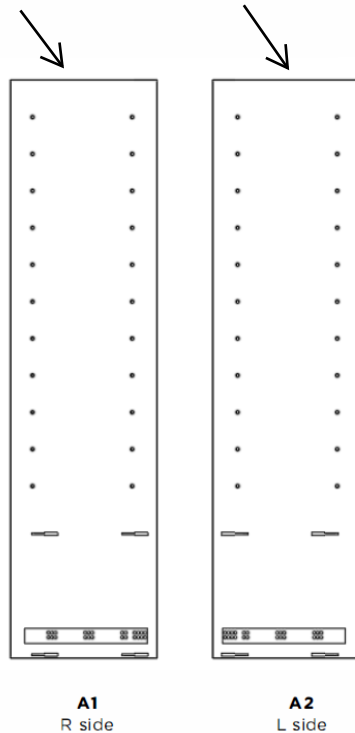
a soft surface to assemble on
*(like a rug or some of the corrugate
box your piece arrived in)*



2 people
plus a dog for moral support
(unless you're a cat person)

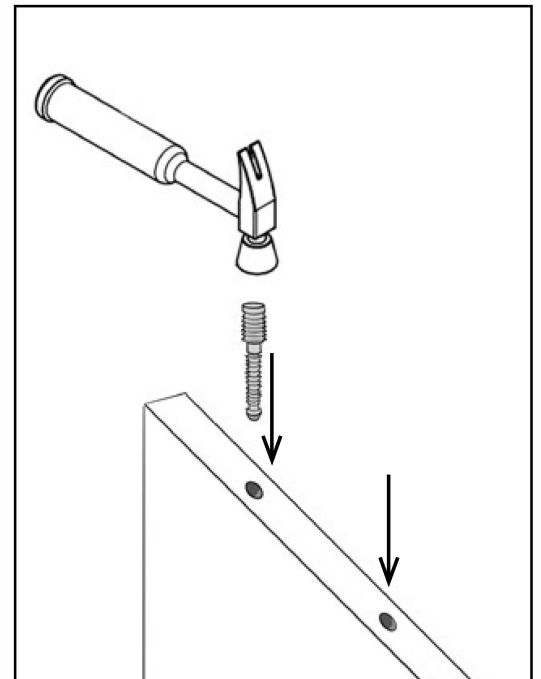
before you begin!

grab your household hammer and locate the parts listed below.

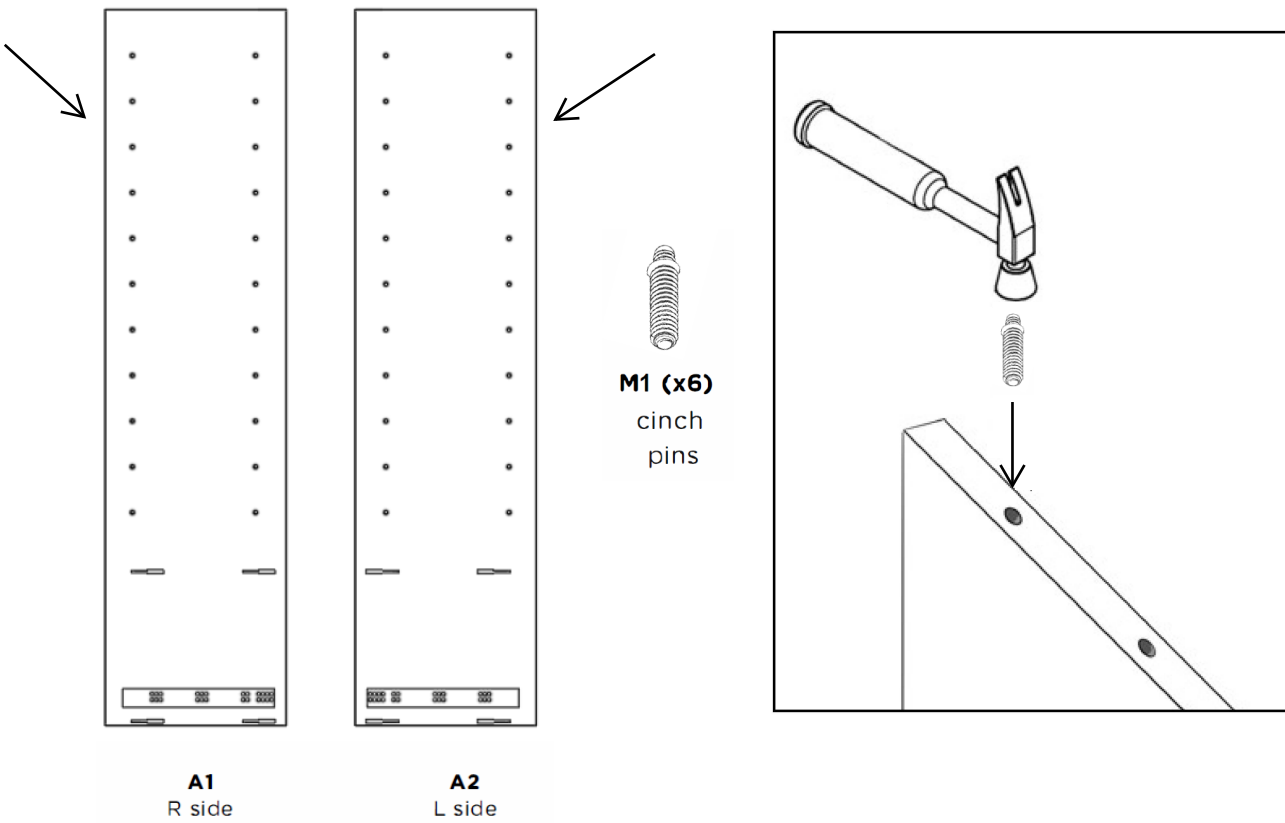


then, follow the instructions below. once completed and all dowel pins are secured, move on to step 1!

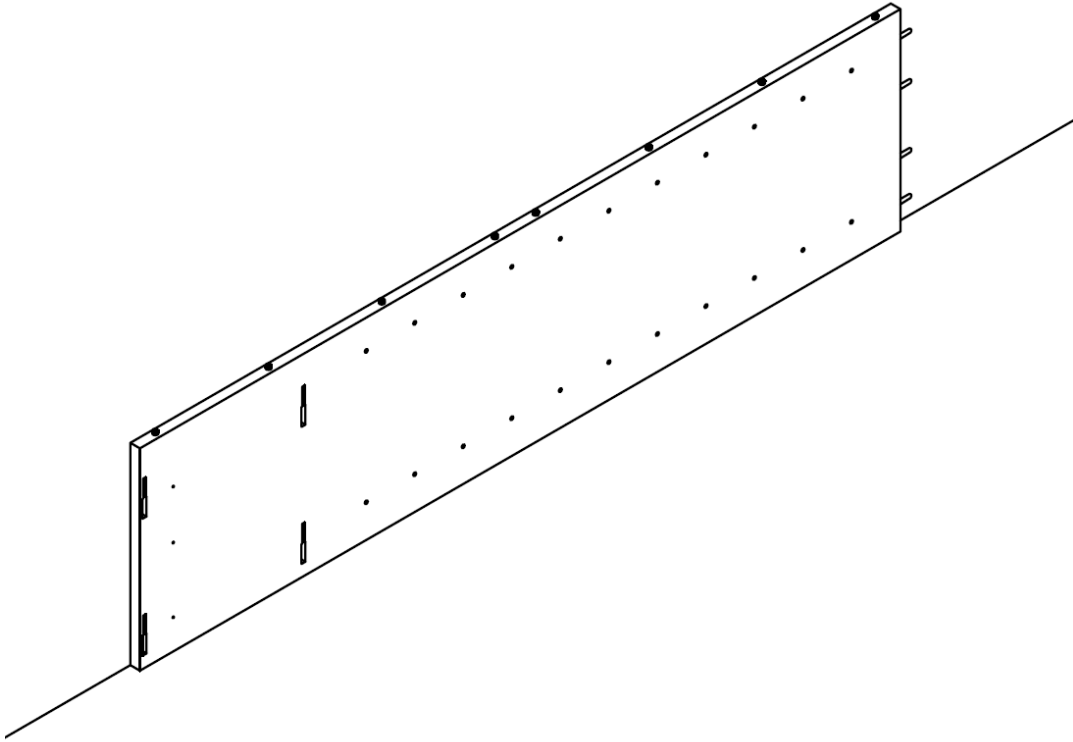
- line up the skinny end of the green dowel pins (M2) with the holes located on the top edges of the L side panel and R side panel (parts: A1 and A2)
- apply hammer cap (K) to the head of a household hammer and hit the top of the dowel until it is fully secure.



- line up the end of the green cinch pins (M1) with the holes located on the back edges of the L side panel and R side panel. (parts: A1 and A2)
- apply hammer with cap (K) and hit the top of the dowel until it is fully secure
- repeat on back edge of sides until all holes are filled

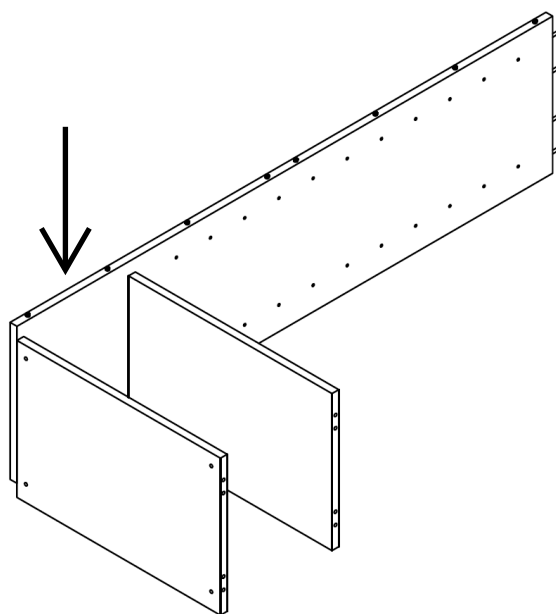
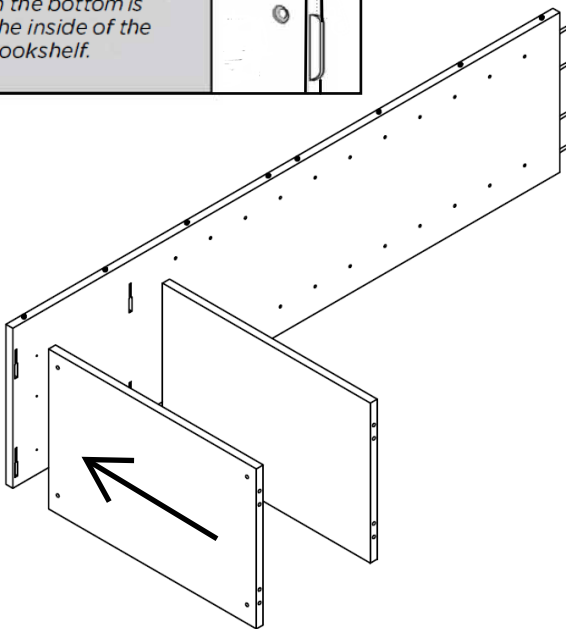
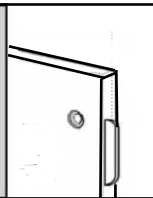


- 1** lean R side panel (A1) against a wall with the holes facing away from wall and connectors facing upward as shown.



- 2** insert connectors of bottom panel (C) and fixed shelf (D) into slots on R side panel (A1) and push down at the connection to lock into place.

important!
be sure the recessed hole on the bottom is facing the inside of the bookshelf.

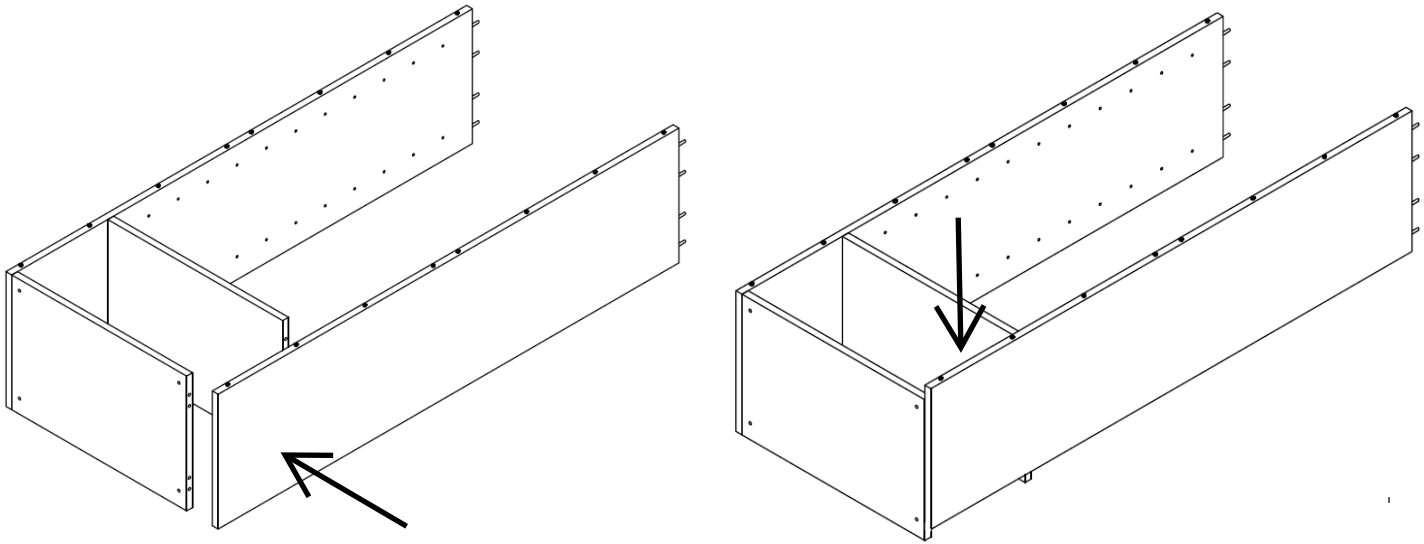


still confused? scan this code to watch the assembly video! →



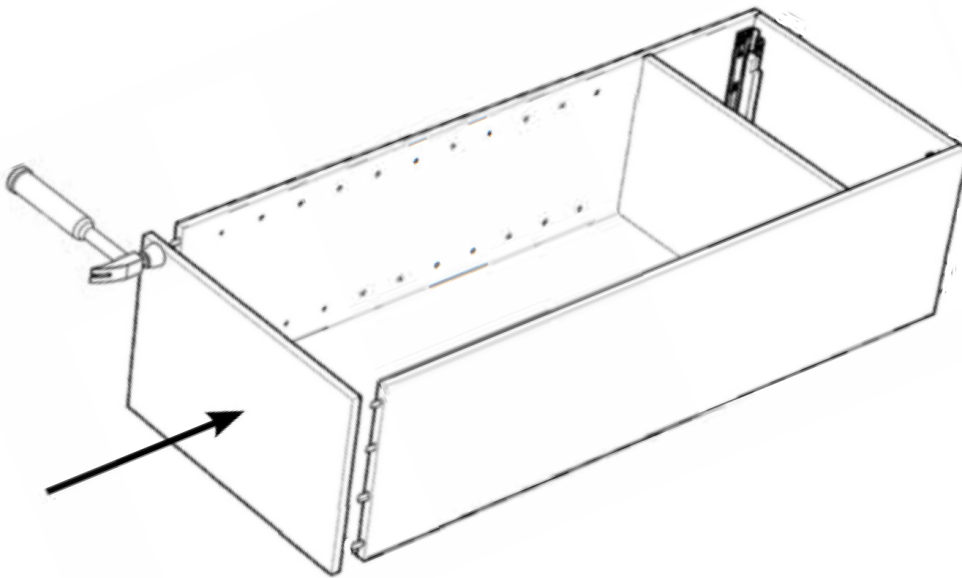
3

insert remaining connectors of bottom panel (C) and fixed shelf (D) into slots on L side panel (A2), and push down at the connection to lock into place.



4

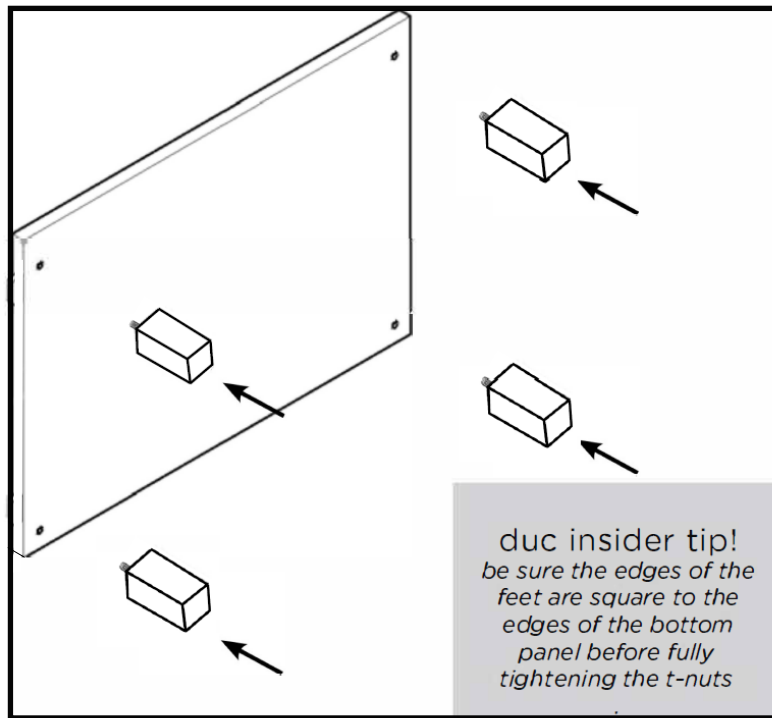
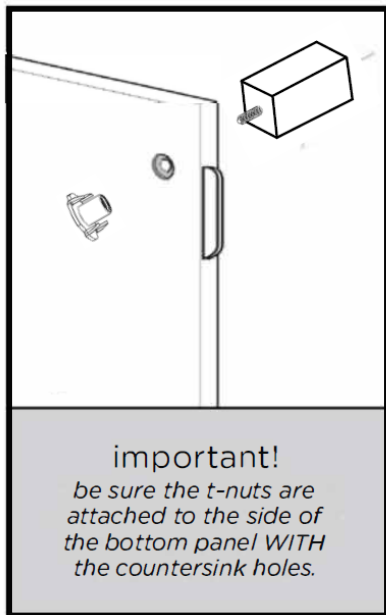
line up the connectors on both sides (A1+ A2) with the holes on the underside of top (E). use hammer with hammer cap (K) to tap top (E) until there is no gap at the connection to the sides (A1+ A2).



still confused? scan this code to watch the assembly video! →



5 using the provided feet (G) with attached hanger bolts (H), attach the feet (G+H) to bottom (C) with t-nut (I).

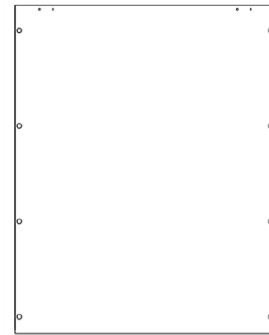
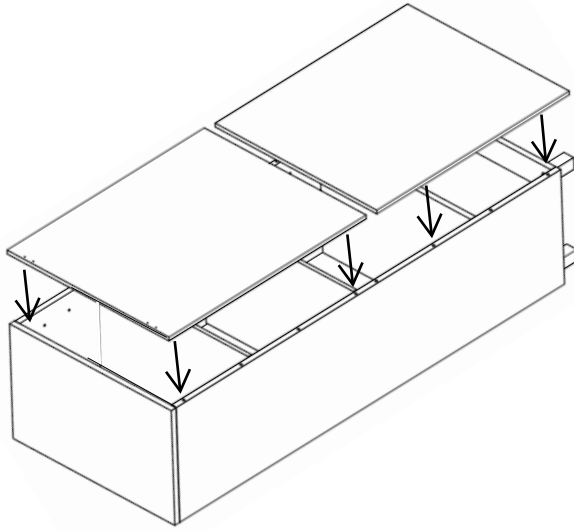


still confused? scan this code to watch the assembly video! →

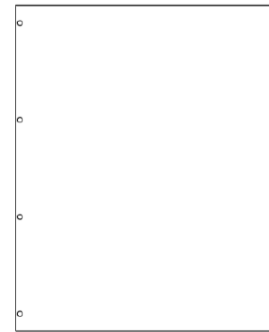


6

attach the back panels (B1 and (B2) to the left and right panels (A1 and A2).



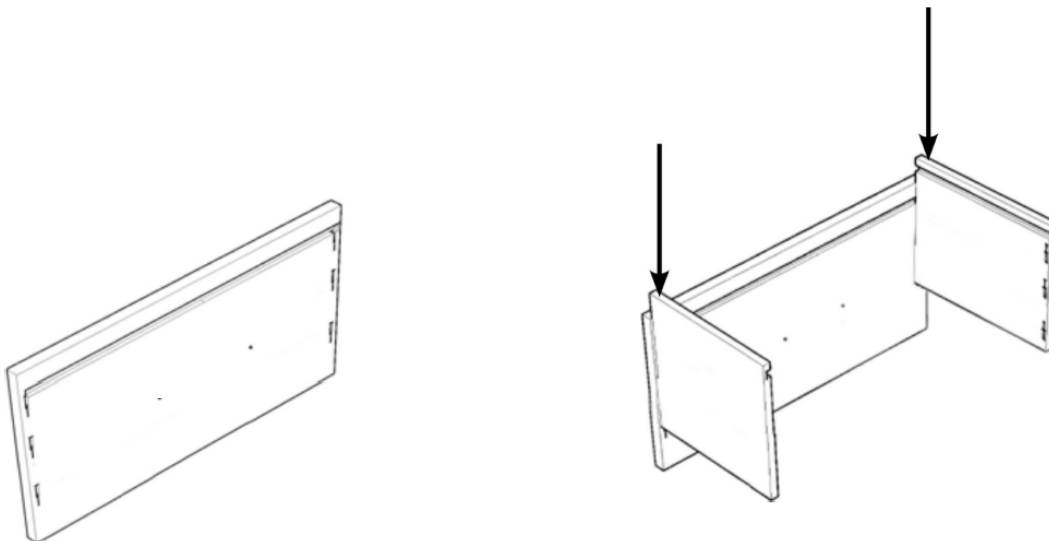
B1
upper back



B2
lower back

7a

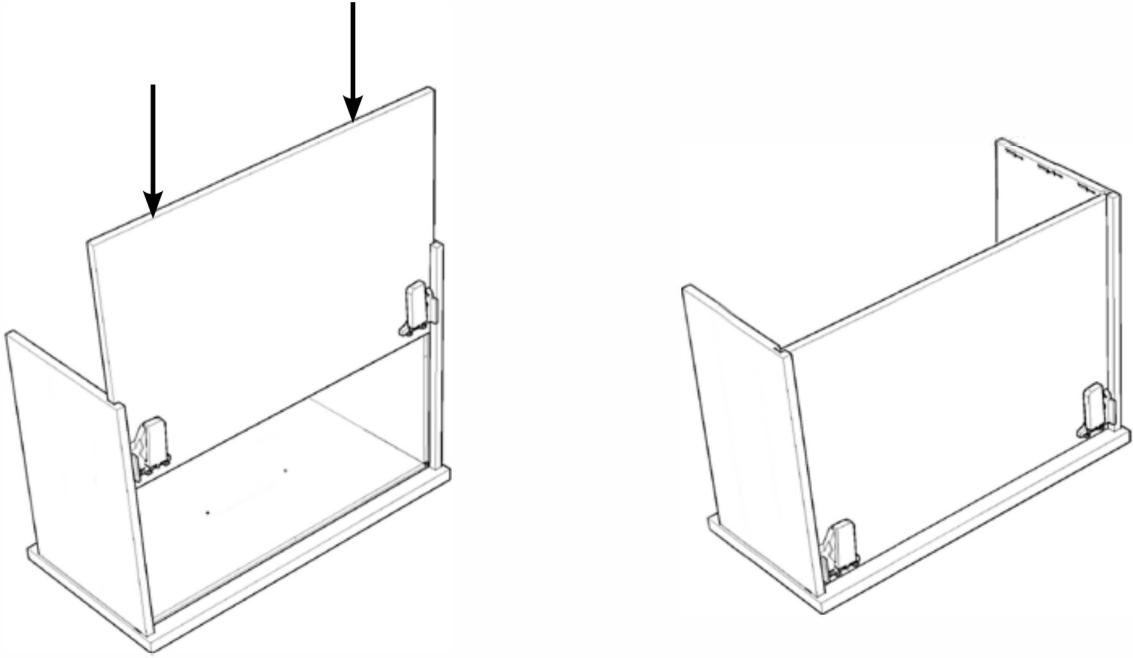
now we build the drawer! starting with drawer face (DB1) facing down, insert connectors of both drawer box side panels (DB3+DB4) into slots on drawer face (DB1). push down at the connections to lock into place.



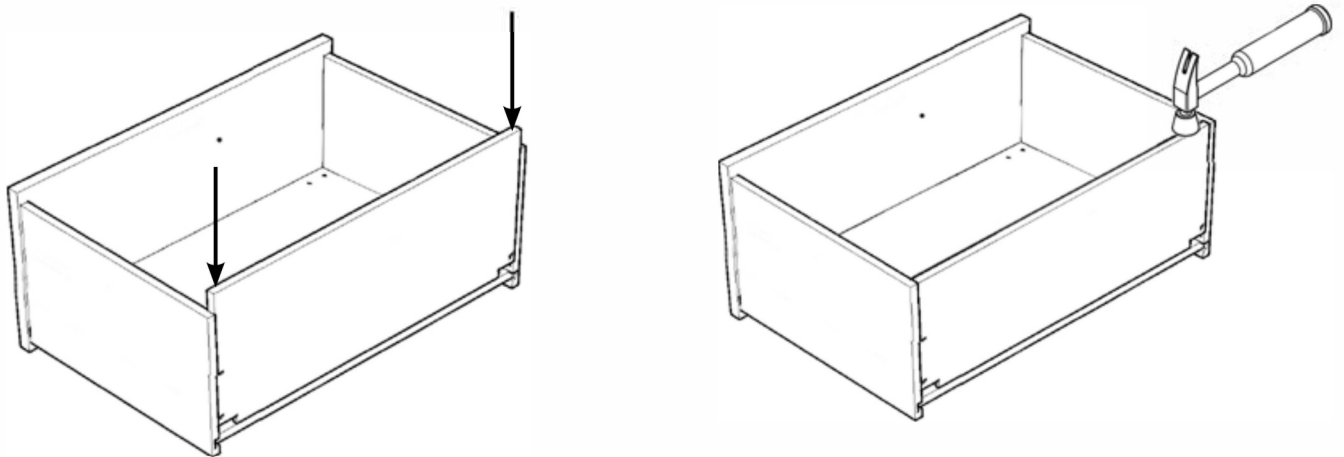
still confused? scan this code to watch the assembly video!



7b rotate the partially assembled drawer box as shown. slide drawer box bottom (DB5) into place using grooves on the drawer box side panels (DB3 + DB4) as guides. be sure glide hardware on bottom panel (DB5) is positioned outside the drawer interior and toward the drawer face (DB1) as shown.



7c again, rotate partially assembled drawer box as shown. insert connectors of drawer box back (DB2) into slots on drawer box sides (DB3 + DB4). push down at the connections to lock into place. use hammer and hammer cap (K) if needed.

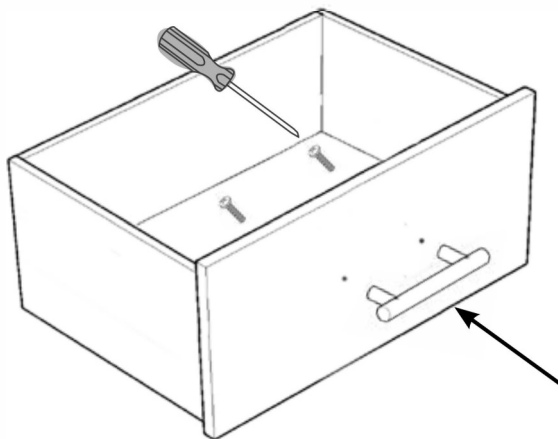


still confused? scan this code to watch the assembly video! →



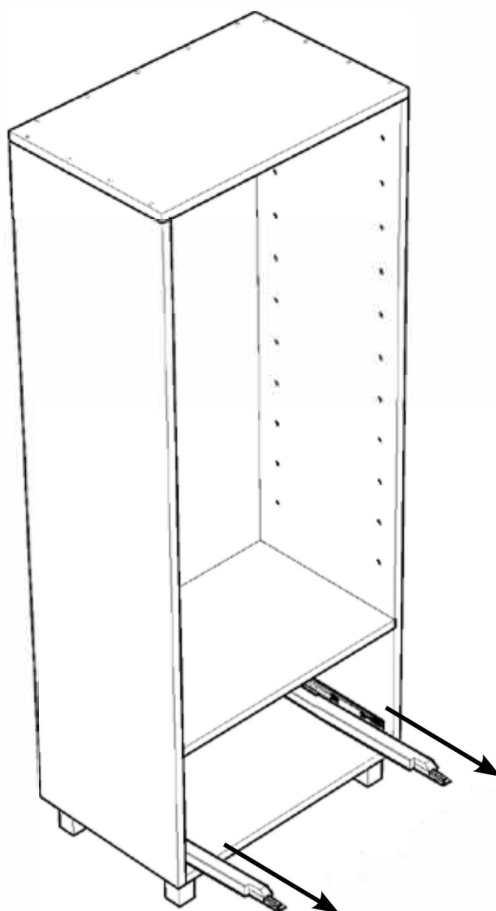
7d

using a phillips screwdriver and screws (DB7), attach the pull hardware (DB6) to the front of the drawer face.



8a

Stand the bookcase up and pull the drawer glides out to extended position as shown.

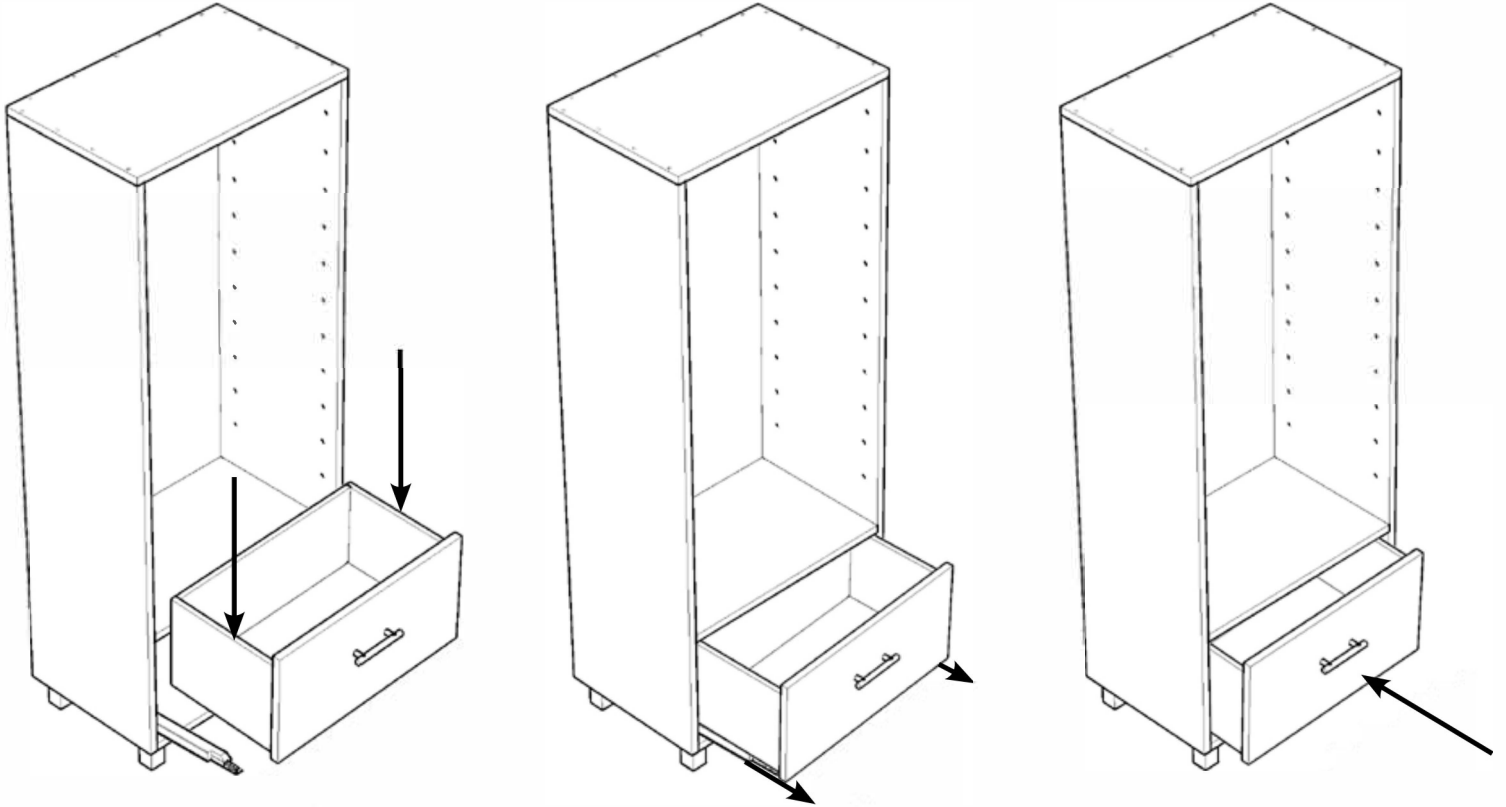


still confused? scan this code to watch the assembly video!



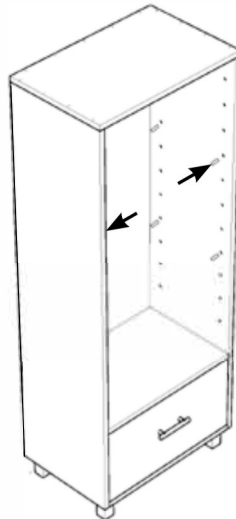
8b

place the assembled drawer box onto extended glides as shown. from underside of drawer, use hands to pull each glide forward until it locks into connection with glide hardware attached to drawer box bottom (DB5). the drawer will be secure when you hear a click on each connection. once secured, push drawer box in to close.



9a

insert 8 shelf pins (J) into holes on both sides (A1 + A2) at desired heights.

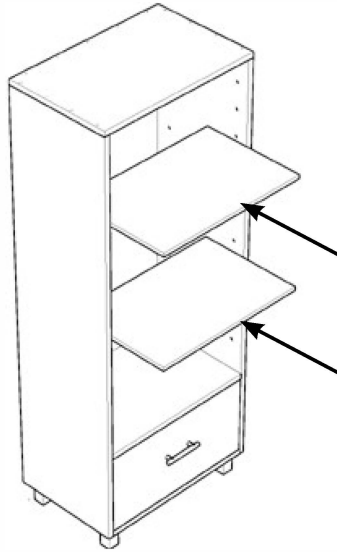


still confused? scan this code to watch the assembly video! →

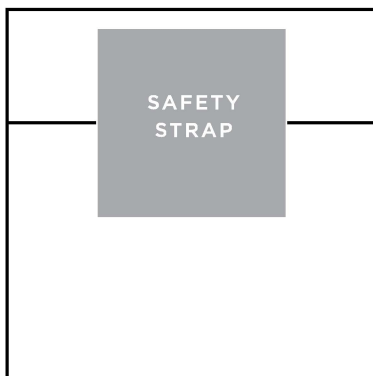


9b

one at a time, place adjustable shelf (F) on top of 4 shelf pins (J) so it sits secure and level.



10 safety strap installation



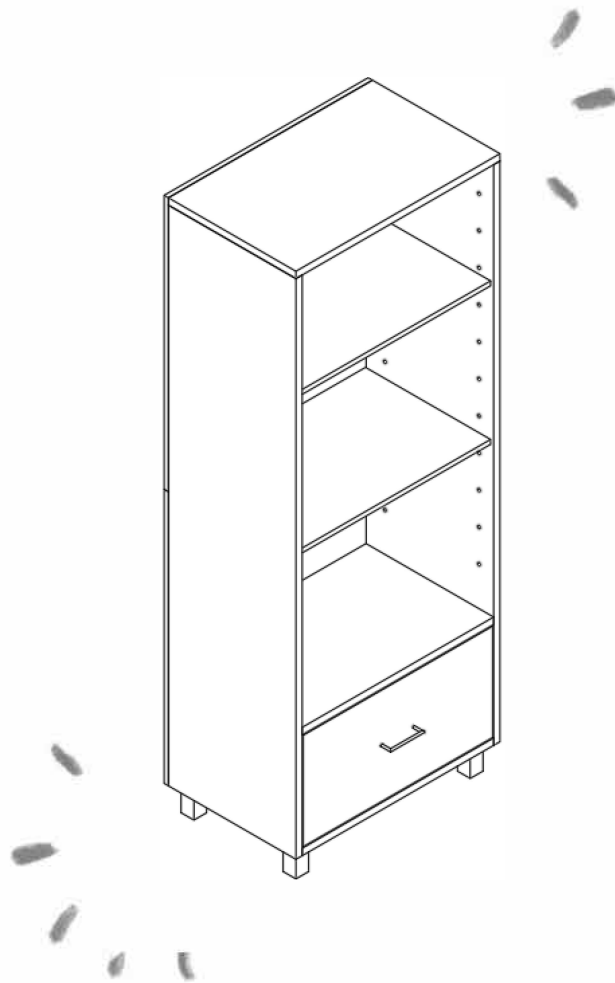
the last step for your tall bookcase is to install the safety strap included in the box. reference the separate instructions enclosed in the envelope.

still confused? scan this code to watch the assembly video! →



woohoo! you did it!

give yourself a pat on the back, take a bow,
or go home a pint of ice cream...we don't judge.



prefer to talk to a human instead? we're here for you!

contact our customer advocate team below:



212.226.1868



quack@ducdcnyc.com



live chat at
ducdcnyc.com