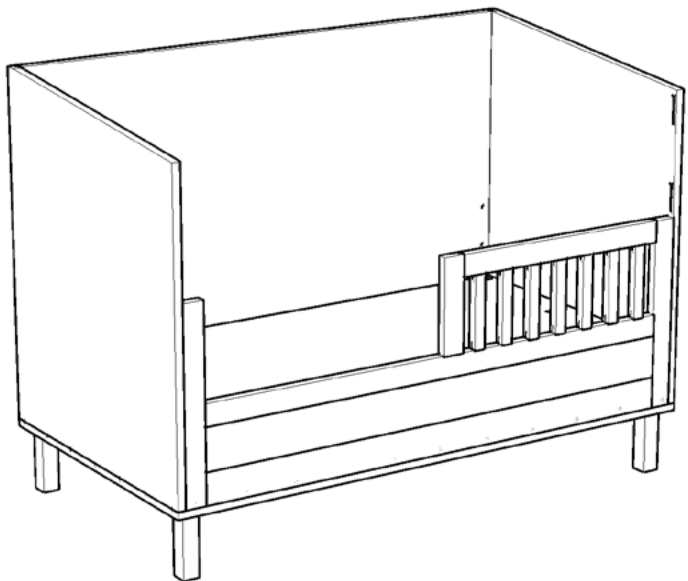




ASSEMBLY INSTRUCTIONS

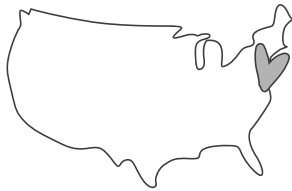
indi toddler rail

a how-to guide that won't leave you in tears



parenting is hard.
this is easy.

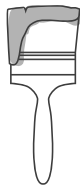
no really, it is.



MADE HERE™



MADE WELL™



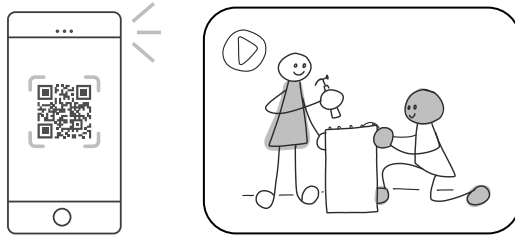
MADE SAFE



MADE SMART

want to watch this assembly IRL?

(acronym challenged? that means “in real life”.)



open the camera on your phone and place it over the QR code below to see our NYC studio dream team do all the heavy lifting (just kidding, there is none!)



or go to ducdcnyc.com/pages/assembly-instructions

**thank you for selecting a
studio duc product!**

Please check contents against the components list in these instructions. Also, please ensure there was no damage that may have occurred in shipping.

If any components are missing or you find any damage, please contact ducduc before continuing.

Read all the instructions before use of the toddler bed/crib.

Please remember to securely tighten all bolts and fasteners, and periodically check to make sure every component is properly and securely in place and all bolts and fasteners are tight.

Pay close attention to the safety warnings in these instructions and on toddler bed/crib labels.

CARE AND CLEANING:

Do not scratch or chip the finish. Do not use abrasive chemicals for cleaning. Clean with mild soap on a soft rag. Rinse and dry thoroughly. If you ever re-finish this furniture, be sure to use only a non-toxic finish.

Do not attempt to move this toddler bed/crib alone- dragging or sliding across a floor may cause structural damage. A minimum of two people is required to safely lift and reposition the toddler bed/crib.

⚠ WARNING

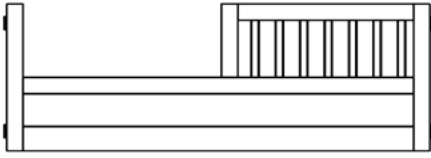
The minimum age can't be less than 15 months; and the maximum weight can't be higher than 50 lb.

This toddler bed rail is only for use with the indi crib from studio duc, and is not designed, intended or approved for use with any other crib

CAUTION

any mattress used in this crib shall be at least $27\frac{1}{4}$ by $51\frac{5}{8}$ in. with a thickness not exceeding 6 in.

WHAT'S IN THE BOX:

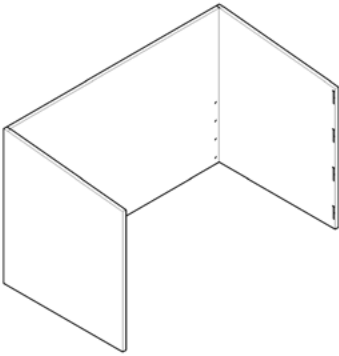


A
indi toddler rail

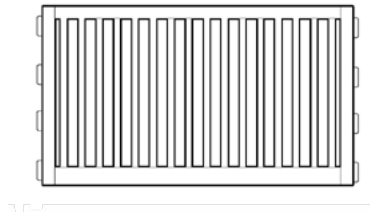


B
hammer cap

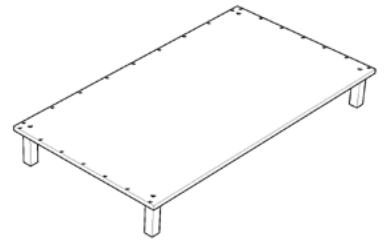
EXISTING PARTS:



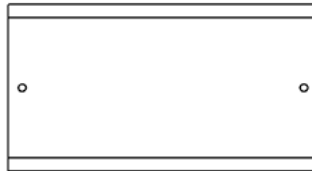
C
assembled
indi crib upper



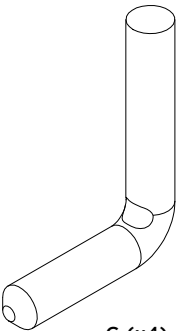
D
side rail



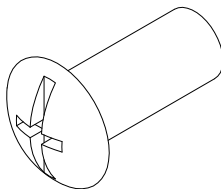
F
assembled
indi crib base



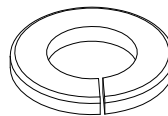
E
mattress panel



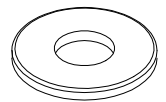
G (x4)
mattress support pin



H (x4)
mattress support bolt

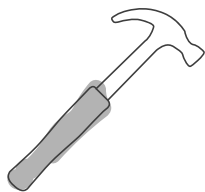


I (x4)
5/16" locking washer

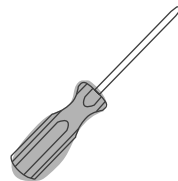


J (x4)
5/16" flat washer

WHAT YOU'LL NEED:



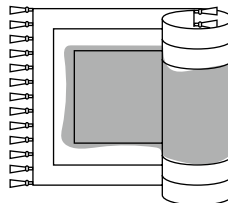
**household hammer or
rubber mallet**



phillips head screwdriver



20 minutes
(or less)



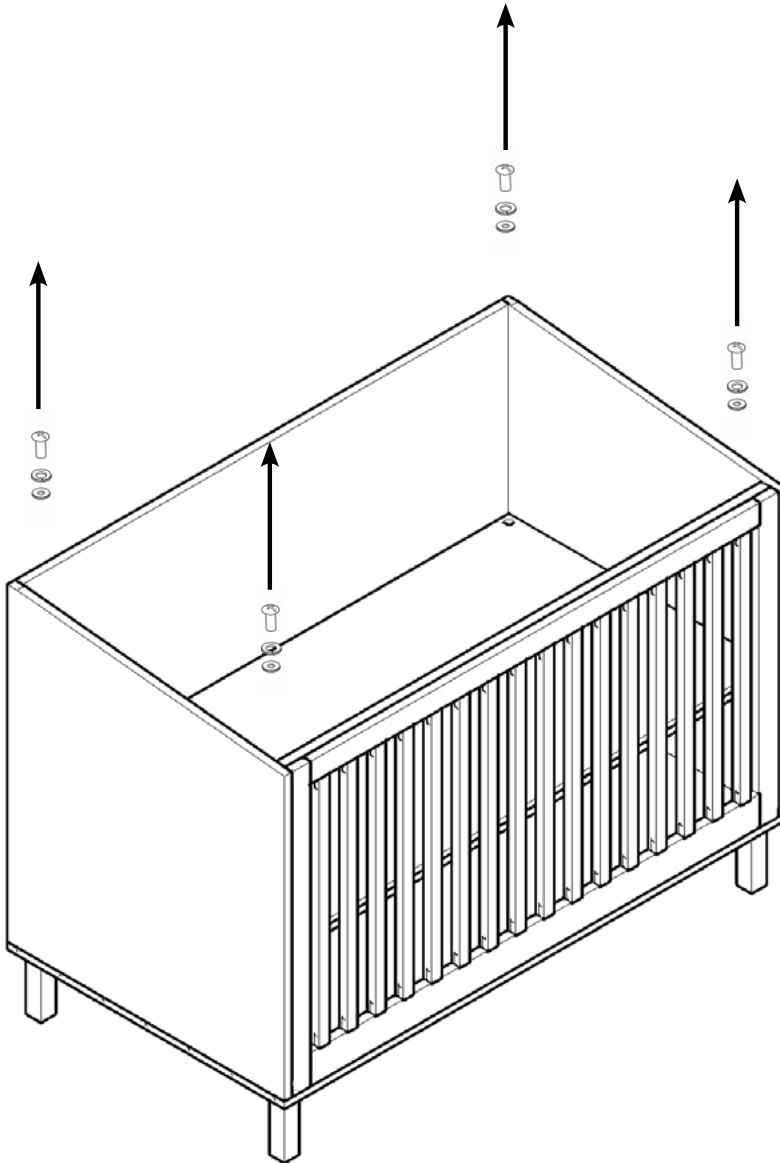
a soft surface to assemble on
*(like a rug or some of the corrugate
box your piece arrived in)*



2 people
plus a dog for moral support
(unless you're a cat person)

1

use a phillips screwdriver to unscrew all mattress support bolts (H) from mattress panel (E).
remove locking washers (I) and flat washers (J) and set all hardware aside for use later.

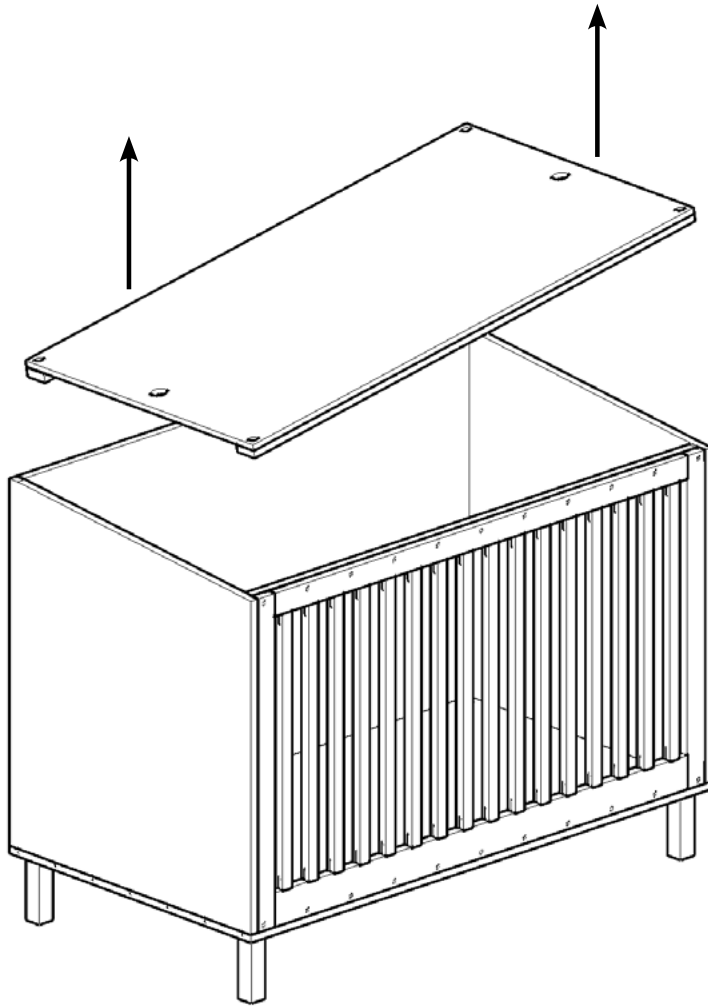


still confused? scan this code to watch the assembly video! →



2

remove mattress panel (E) and set aside for use later.

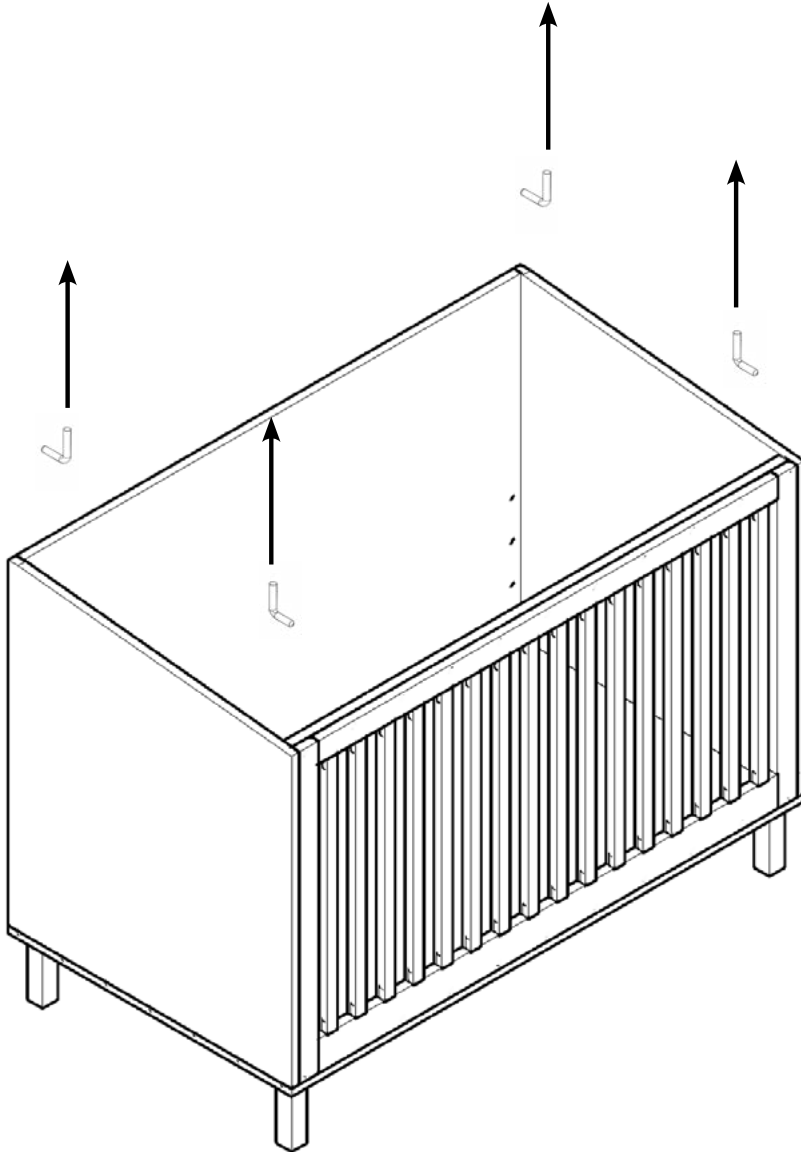


still confused? scan this code to watch the assembly video! →



3

remove mattress support pins (G) and set aside for use later.

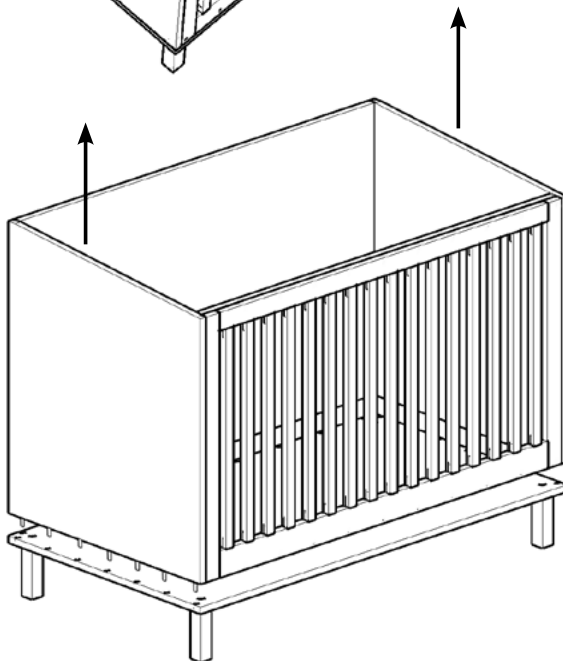
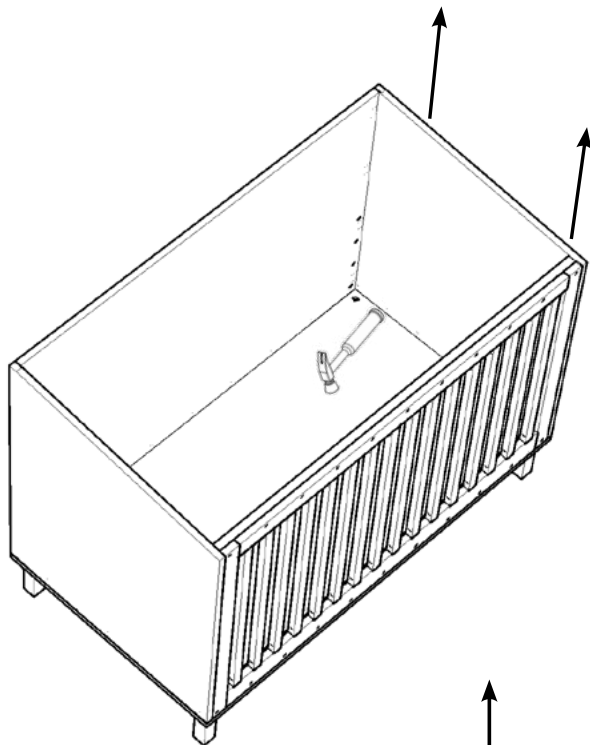


still confused? scan this code to watch the assembly video! →



4

apply hammer cap (B) to the head of a household hammer. have a friend firmly hold on to the assembled indi crib upper (C) and side rail (D) while you tap the assembled crib base (F) with hammer and hammer cap (B). when the assembled indi crib upper (C) is fully detached from the assembled indi crib base (F), gently place both parts on the floor.

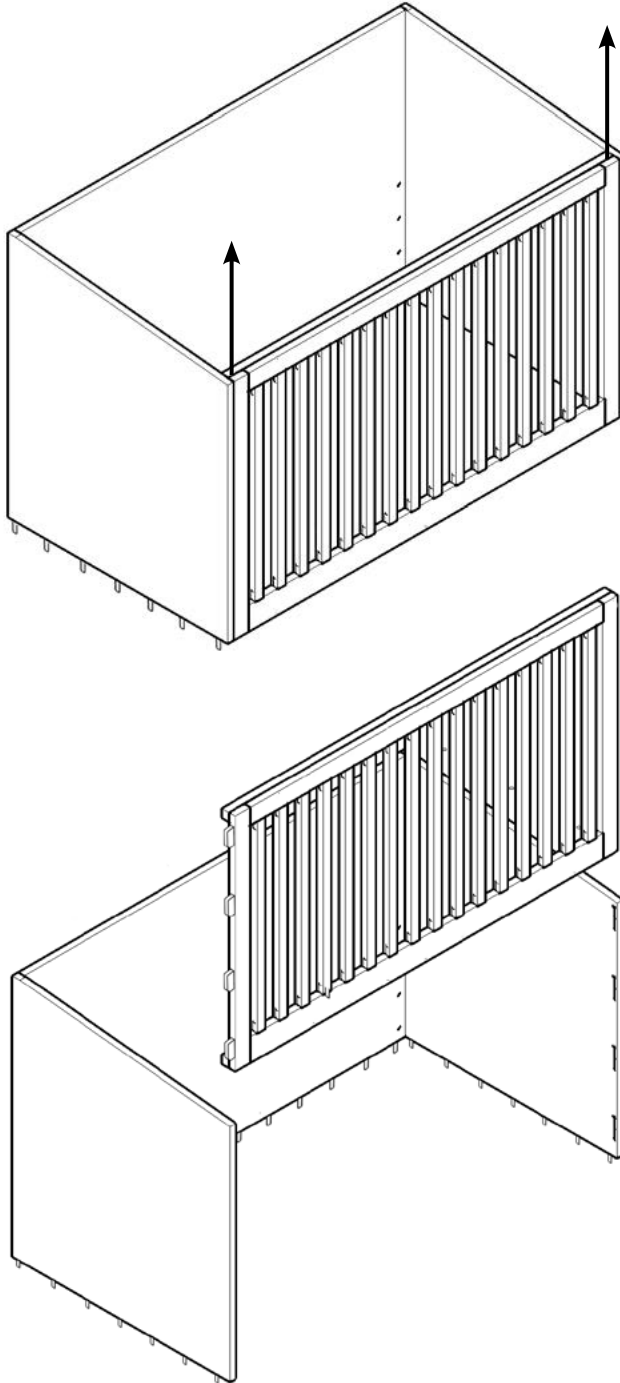


still confused? scan this code to watch the assembly video! →



5

starting at one side of side rail (D), use one hand to firmly hold the assembled indi crib upper (C) in place while pulling up on the side rail (D) to unlock the connection. repeat on the opposite end to fully detach side rail (D).

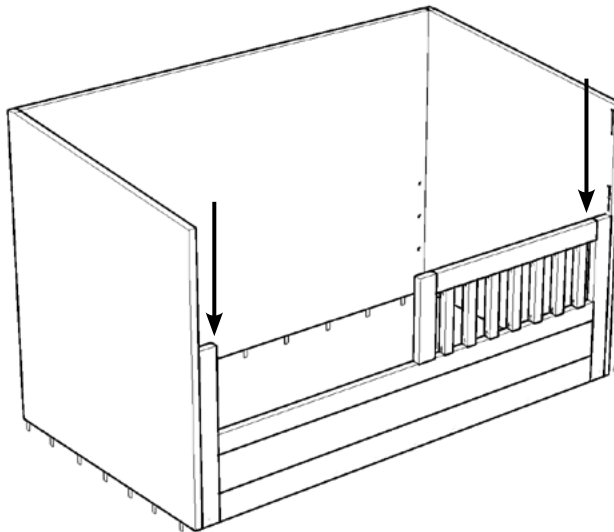
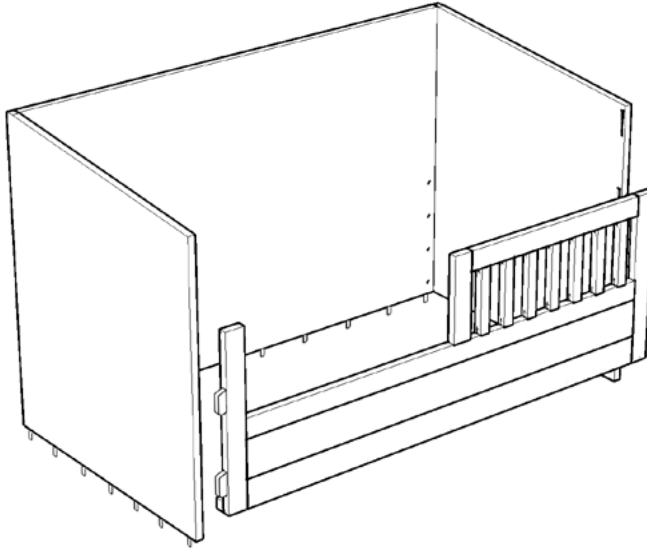


still confused? scan this code to watch the assembly video! →



6

insert connectors on toddler rail (A) into slots on assembled indi crib upper (C). push down at the connections to lock into place.



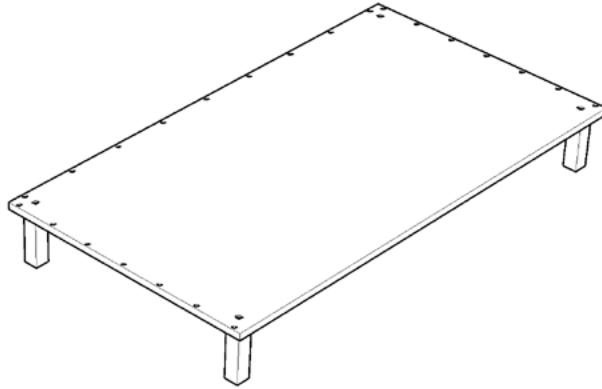
important!
*be sure the toddler rail
bottom is flush with the
base of the assembled
crib upper.*

still confused? scan this code to watch the assembly video! →



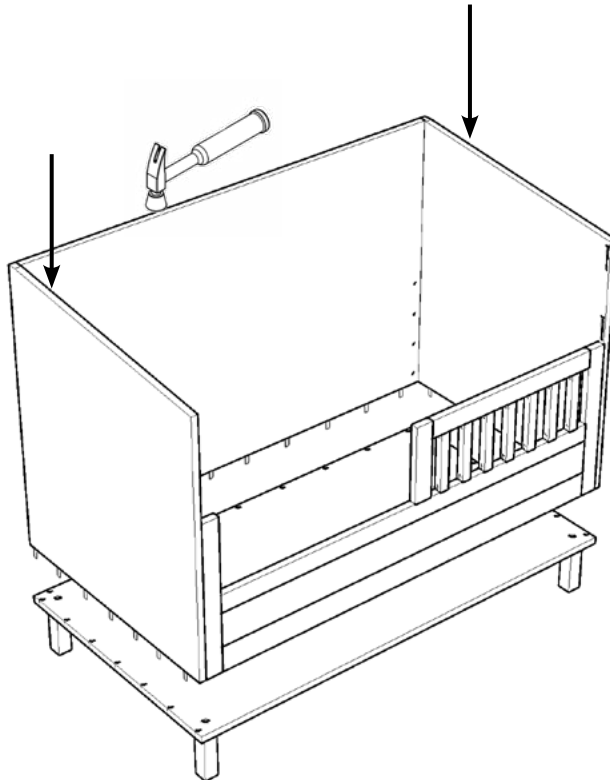
7

set the assembled crib base (F) as shown in the area where the crib will remain.



8

with a friend, gently lift the assembled indi crib upper (C) and toddler rail (A) and set on top of the assembled crib base (F) making sure the connectors line up with the holes. once everything is aligned, use hammer with hammer cap (B) to tap until secure.

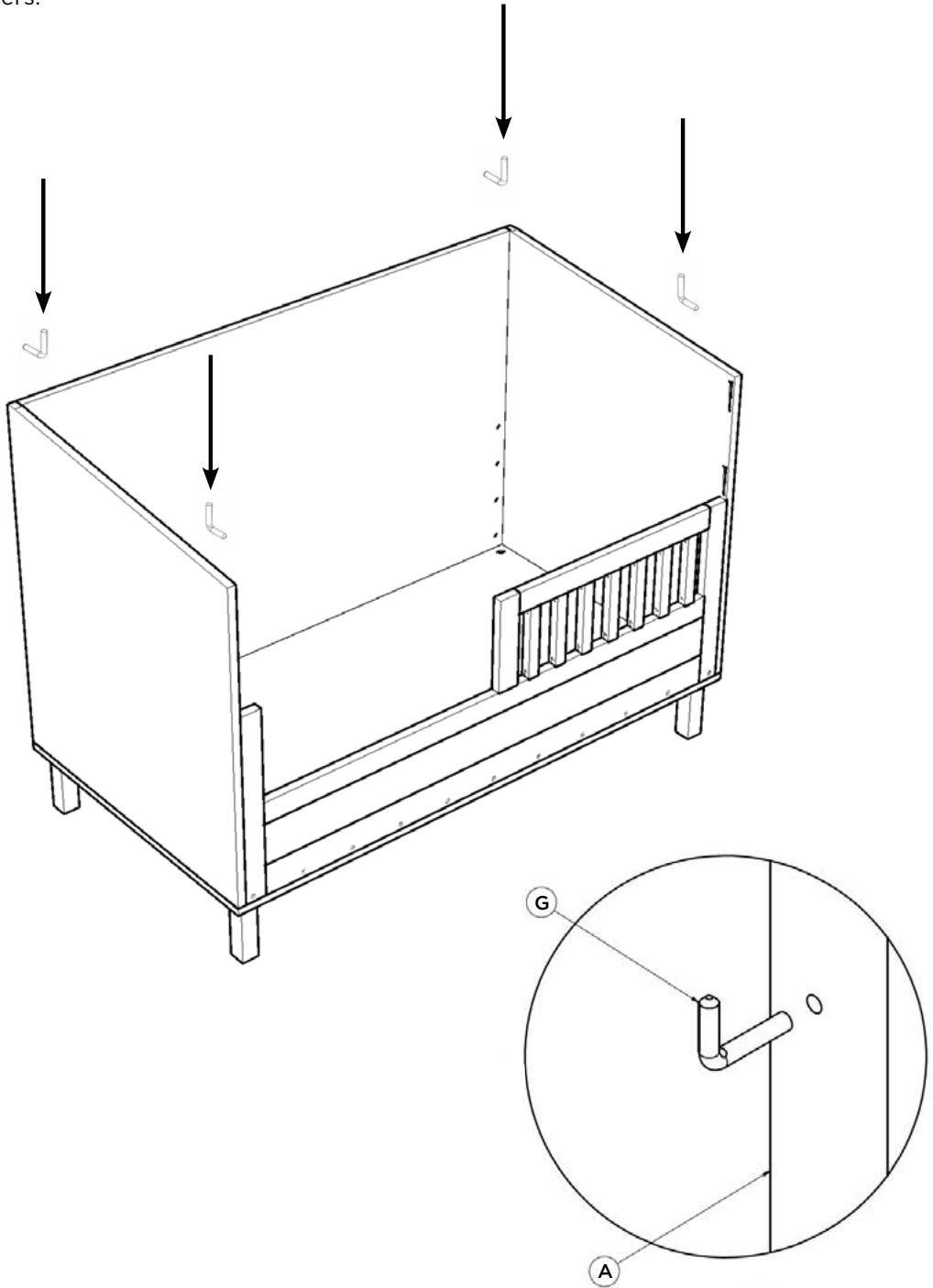


still confused? scan this code to watch the assembly video! →



9

insert 4 mattress support pins (G) into holes on assembled indi crib upper (C) and toddler rail (A) as shown. make sure all mattress support pins (G) are located at the same height at all 4 corners.

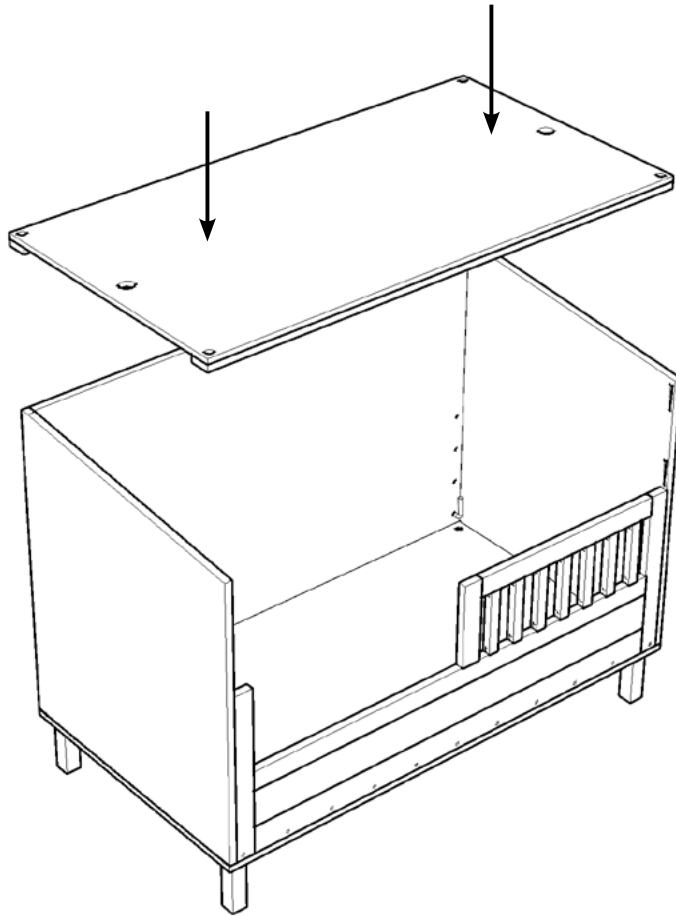


still confused? scan this code to watch the assembly video! →



10

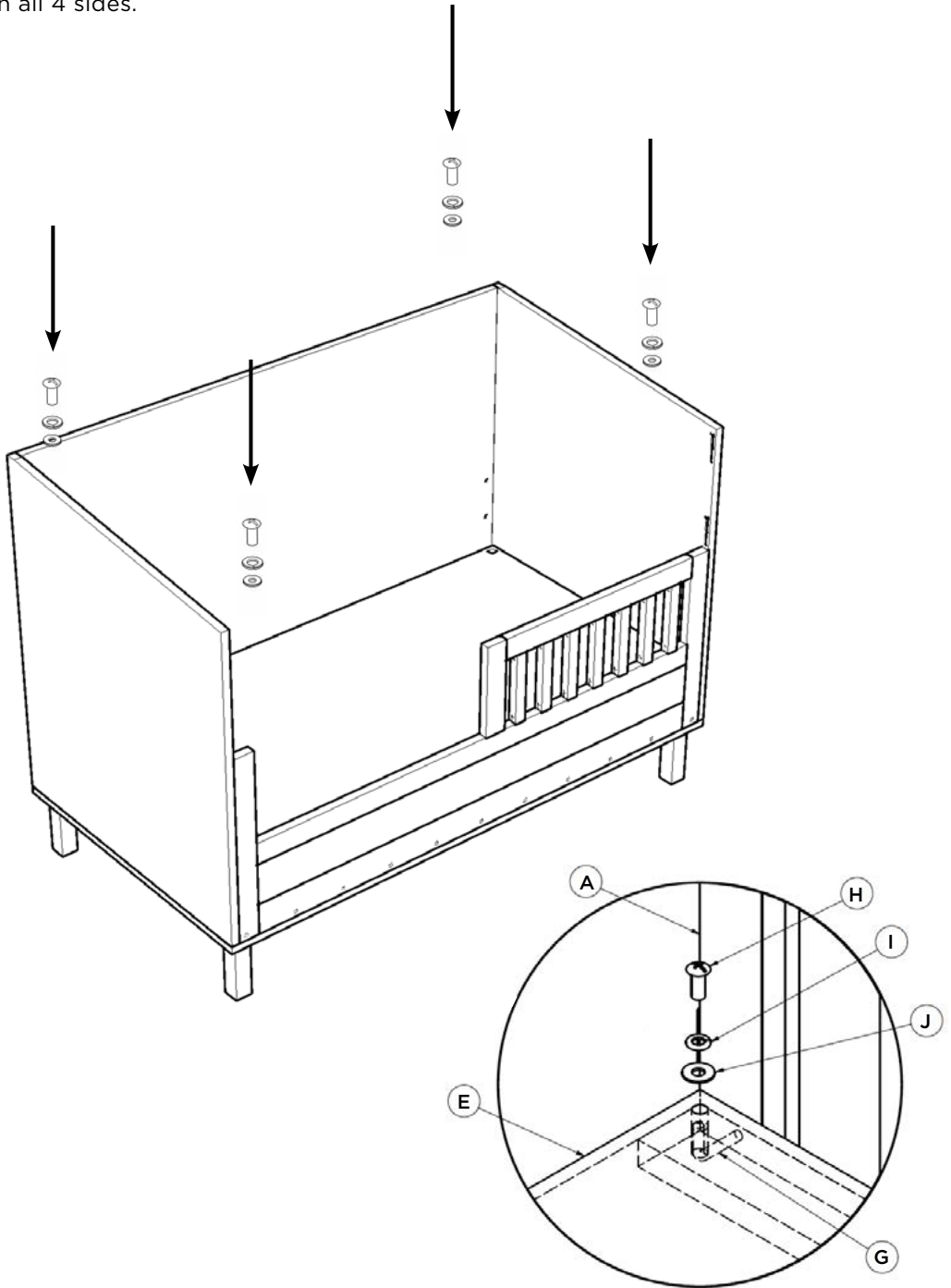
place mattress panel (E) into the assembled crib so each mattress support pin (G) is inserted into a hole.



still confused? scan this code to watch the assembly video! →



11 place flat washer (J) and locking washer (I) on top of mattress support pin (G) as shown. then, use a philips head screwdriver and mattress suport bolt (H) to secure into place. repeat on all 4 sides.

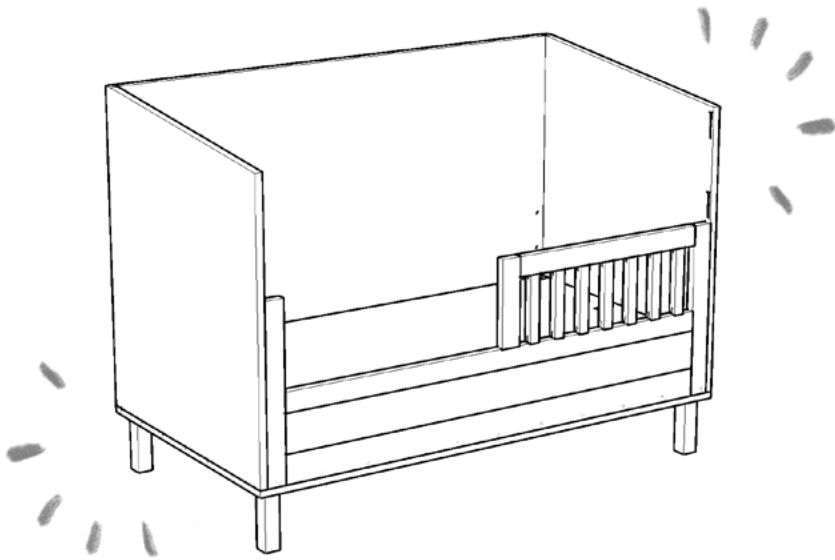


still confused? scan this code to watch the assembly video! →



yippee! you did it!

give yourself a pat on the back, take a bow,
or go house a pint of ice cream...we don't judge.



prefer to talk to a human instead? we're here for you!

contact our customer advocate team below:



212.226.1868



quack@ducducnyc.com



live chat at
ducducnyc.com



200 lexington, no. 1201
ny, ny 10016