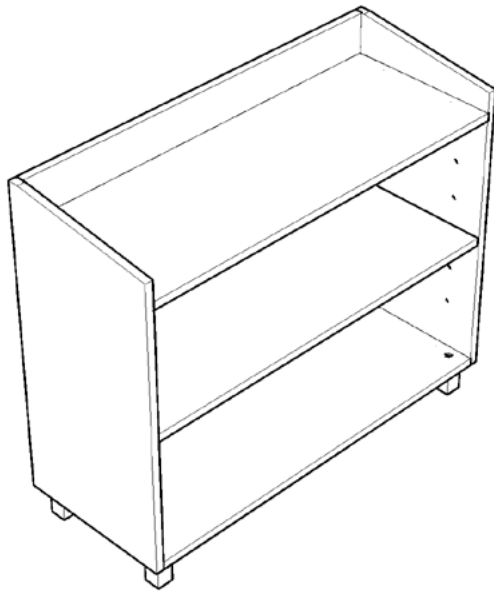




ASSEMBLY INSTRUCTIONS

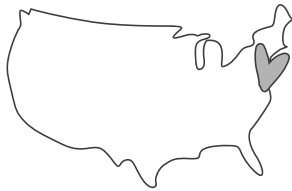
indi bookcase

a how-to guide that won't leave you in tears



parenting is hard.
this is easy.

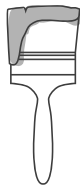
no really, it is.



MADE HERE™



MADE WELL™



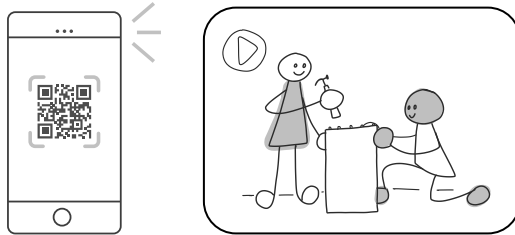
MADE SAFE



MADE SMART

want to watch this assembly IRL?

(acronym challenged? that means “in real life”.)



open the camera on your phone and place it over the QR code below to see our NYC studio dream team do all the heavy lifting (just kidding, there is none!)



or go to ducdcnyc.com/pages/assembly-instructions

**thank you for selecting a
studio duc product!**

please check contents against the components list in these instructions. also, please ensure there was no damage that may have occurred in shipping.

if any components are missing or you find any damage, please contact ducduc before continuing.

read all the instructions before use.

pay close attention to the safety warnings in these instructions.

a minimum of two people is required to safely assemble and move the bookcase. do not attempt to move this bookcase alone — dragging or sliding it across a floor may cause structural damage.

MAINTENANCE:

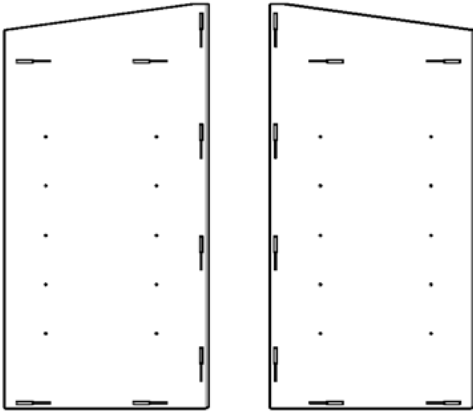
please remember to securely tighten all bolts and fasteners, and periodically check to make sure every component is properly and securely in place and all bolts and fasteners are tight.

CLEANING:

do not scratch or chip the finish. do not use abrasive chemicals for cleaning. clean with mild soap on a soft rag. rinse and dry thoroughly. if you ever refinish this furniture, be sure to use only a non-toxic finish specified for children's furniture.

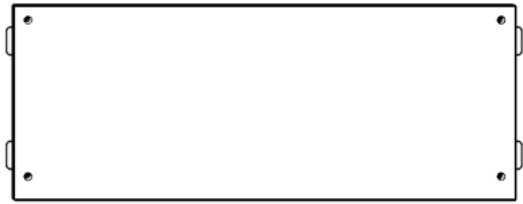
KEEP INSTRUCTIONS FOR FUTURE USE

WHAT'S IN THE BOX:

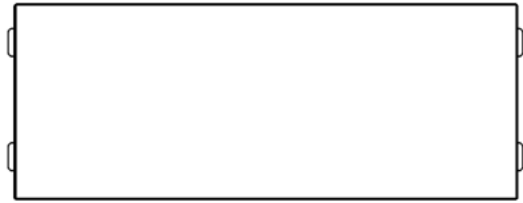


A1
L side

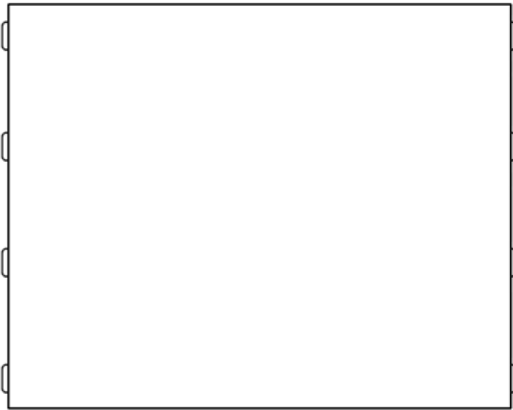
A2
R side



B
bottom



C
top



D
back



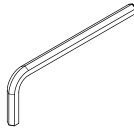
E
adjustable shelf



F (x4)
foot



G (x4)
JCB bolt (25mm)



H
allen key (4mm)

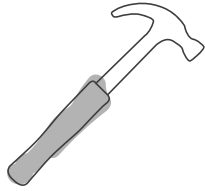


I
hammer cap

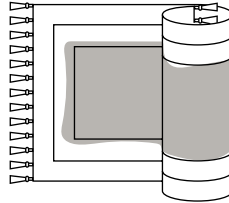


J (x4)
shelf pin

WHAT YOU'LL NEED:



**household hammer or
rubber mallet**



a soft surface to assemble on
*(like a rug or some of the corrugate
box your piece arrived in)*

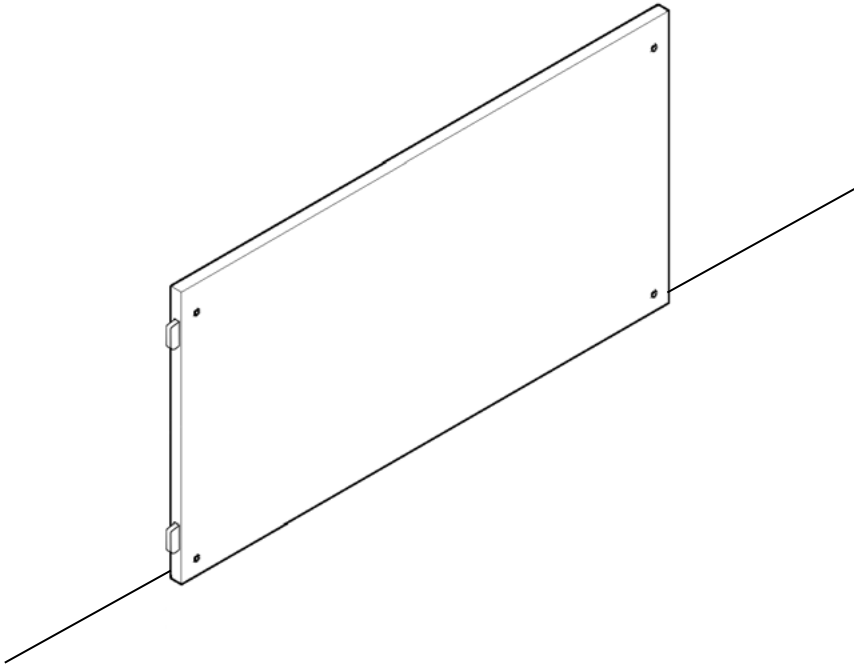


2 people
plus a dog for moral support
(unless you're a cat person)

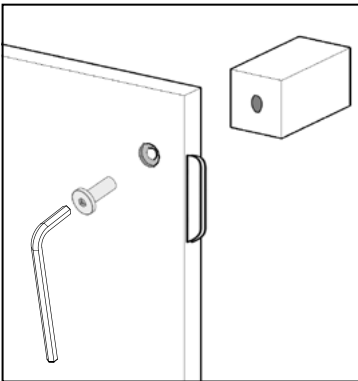


15 minutes
(or less)

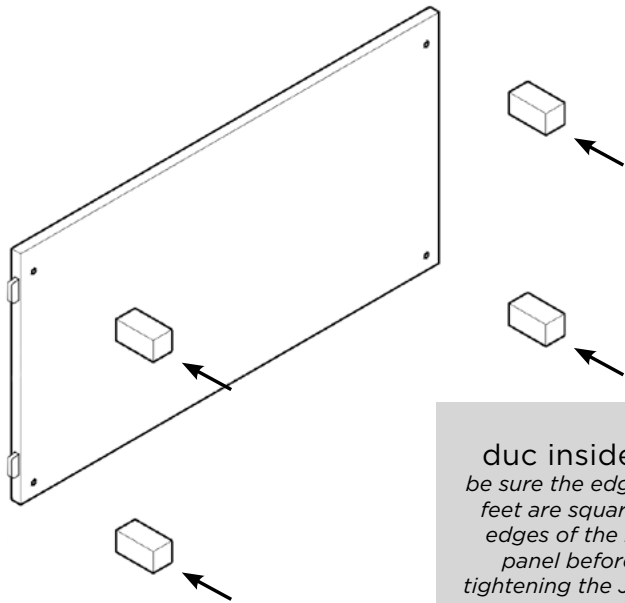
1 lean bottom (B) against a wall as shown.



2 using the provided allen key (H) and JCB bolts (G), attach feet (F) to bottom (B). once all feet are securely attached, set the assembled base aside.



important!
be sure the JCB bolts are attached to the side of the bottom panel WITH the countersink holes.



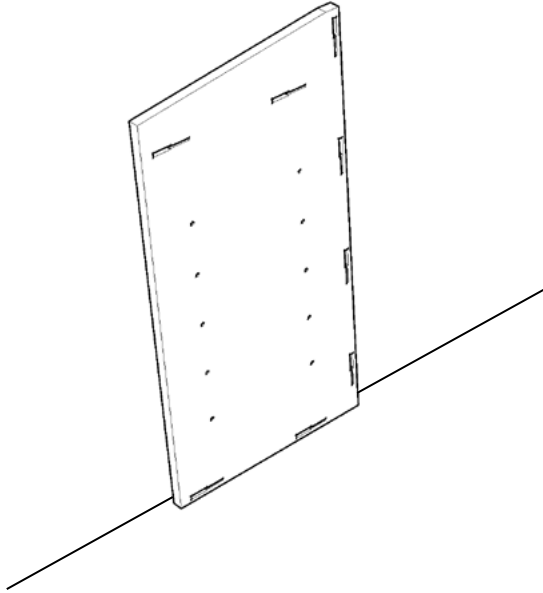
duc insider tip!
be sure the edges of the feet are square to the edges of the bottom panel before fully tightening the JCB bolts.

still confused? scan this code to watch the assembly video! →



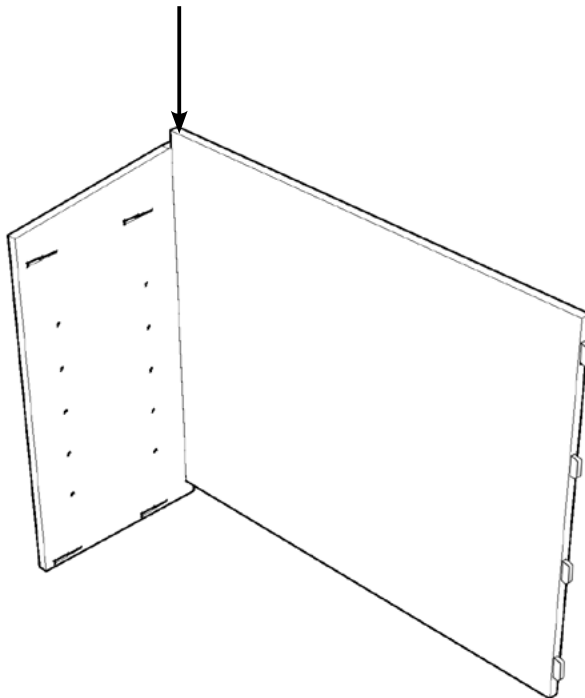
3

lean L side (A1) against a wall as shown.



4

insert connectors on back (D) into slots on L side (A1). push down at the connection to lock into place.

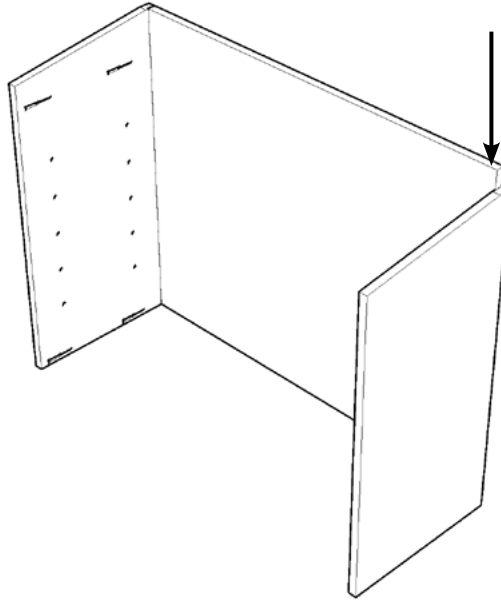


still confused? scan this code to watch the assembly video!



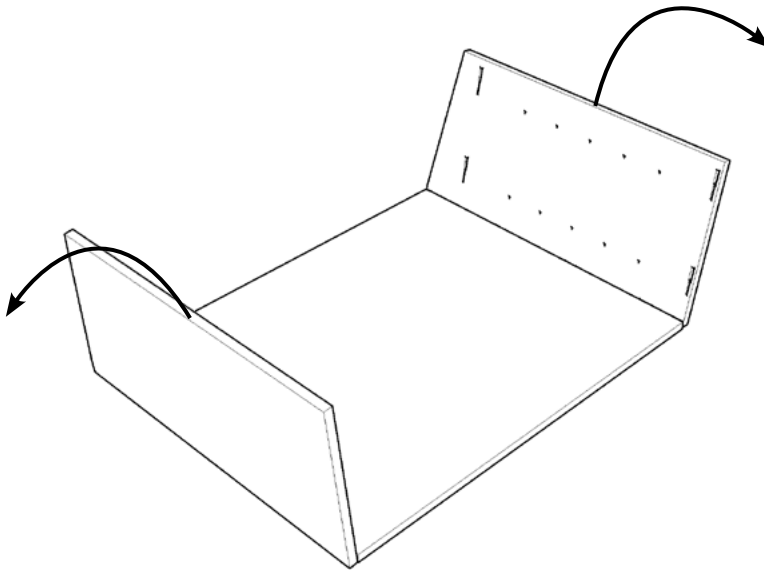
5

insert connectors on back (D) into slots on R side (A2). push down at the connection to lock into place.



6a

gently lay the partially assembled case on its back and have a friend gently flare the sides (A1 + A2) outward as shown.

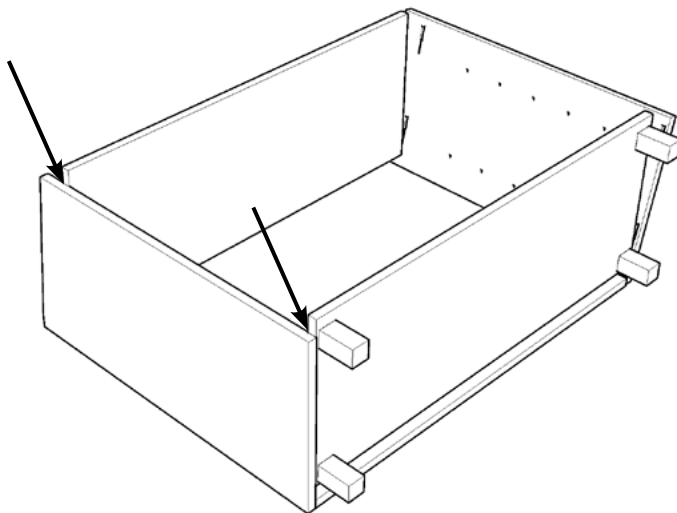
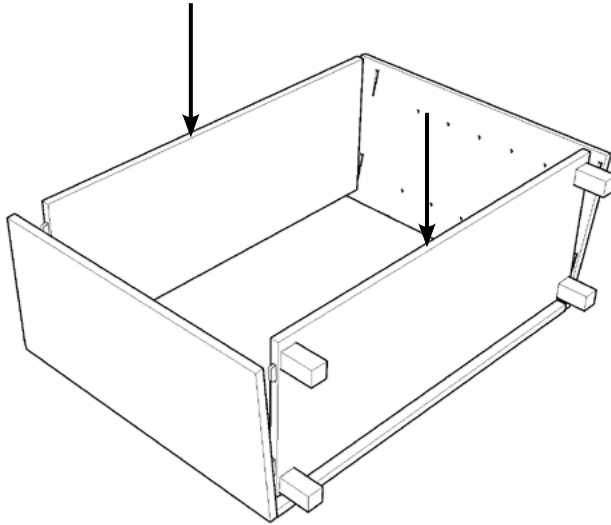


still confused? scan this code to watch the assembly video!



6b

with the side flared outward, insert connectors of assembled base (B + F) and top (C) into slots on L side (A1).

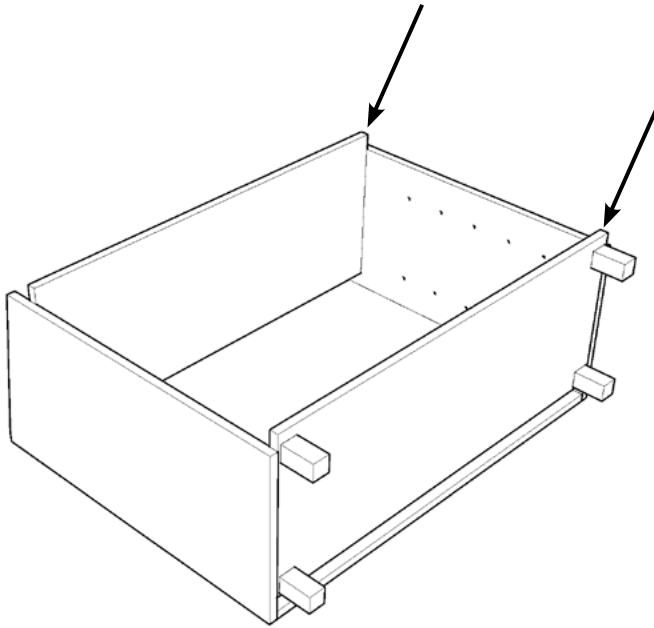


still confused? scan this code to watch the assembly video! →



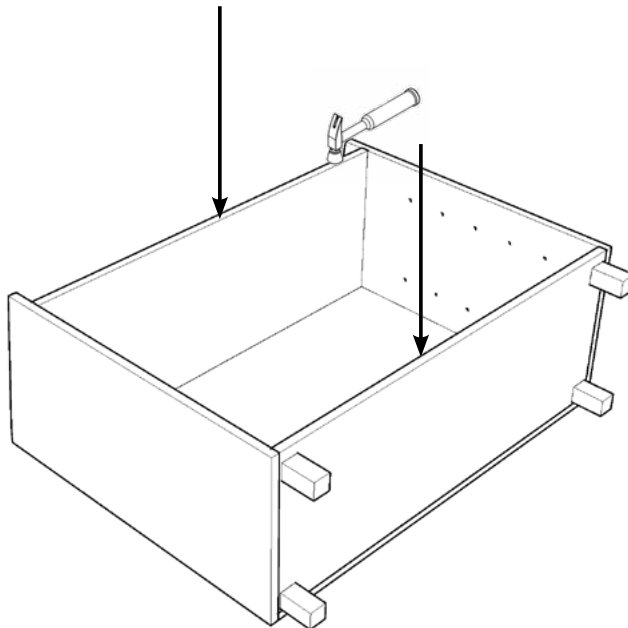
6c

insert remaining connectors on assembled base (B + F) and top (C) into slots on R side (A2).



6d

once all connectors and slots are lined up and sides are back to square position, apply hammer cap (I) to the head of a household hammer and tap bottom (B) and top (C) until there is no gap at the connection to back (D).

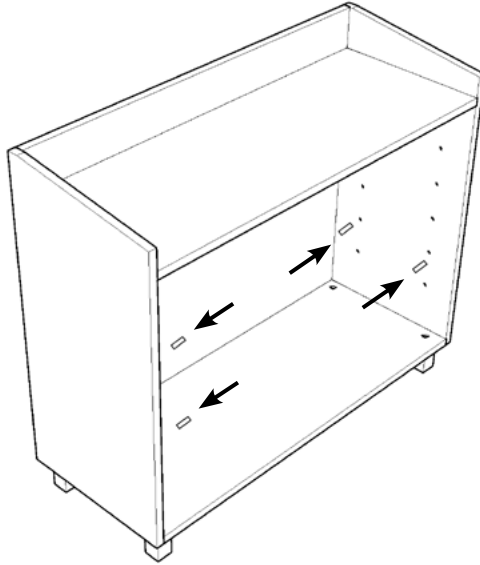


still confused? scan this code to watch the assembly video! →



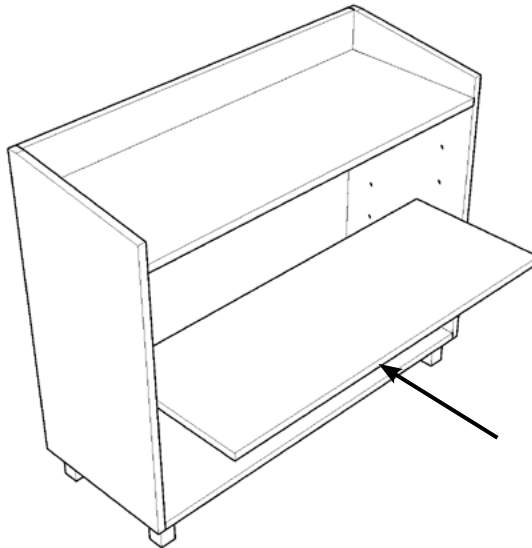
7a

rotate the case into upright position. insert 4 shelf pins (J) into holes on both sides (A1 + A2) at desired height.



7b

place adjustable shelf (E) on top of 4 shelf pins (J) so it sits secure and level.

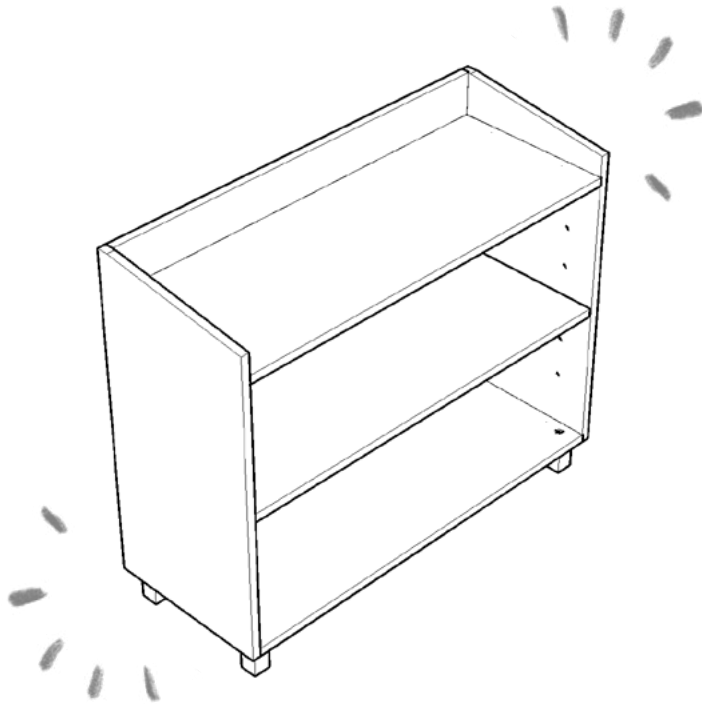


still confused? scan this code to watch the assembly video! →



woooo! you did it!

give yourself a pat on the back, take a bow,
or go home for a pint of ice cream...we don't judge.



prefer to talk to a human instead? we're here for you!

contact our customer advocate team below:



212.226.1868



quack@ducducnyc.com



live chat at
ducducnyc.com



200 lexington, no. 701
ny, ny 10016