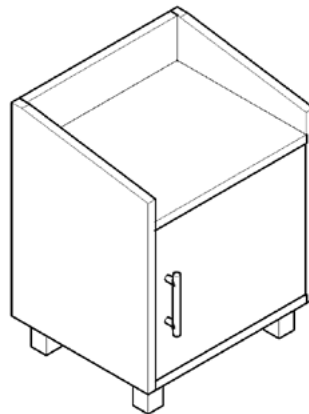
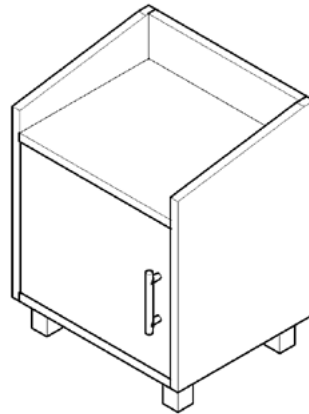




## ASSEMBLY INSTRUCTIONS

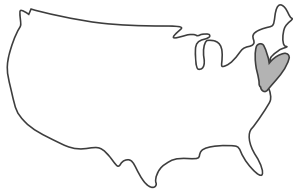
# indi nightstand

a how-to guide that won't leave you in tears



parenting is hard.  
**this is easy.**

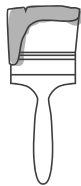
*no really, it is.*



**MADE HERE™**



**MADE WELL™**



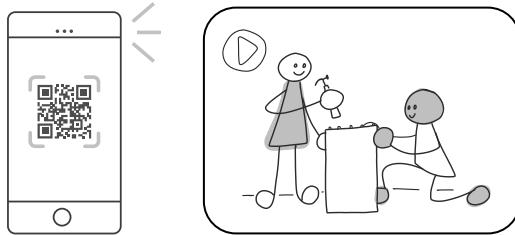
**MADE SAFE**



**MADE SMART**

# want to watch this assembly IRL?

(acronym challenged? that means “in real life”.)



open the camera on your phone and place it over the QR code below to see our NYC studio dream team do all the heavy lifting (just kidding, there is none!)



or go to [ducdcnyc.com/pages/assembly-instructions](https://ducdcnyc.com/pages/assembly-instructions)

**thank you for selecting a  
studio duc product!**

please check contents against the components list in these instructions. also, please ensure there was no damage that may have occurred in shipping.

if any components are missing or you find any damage, please contact ducduc before continuing.

read all the instructions before use.

pay close attention to the safety warnings in these instructions.

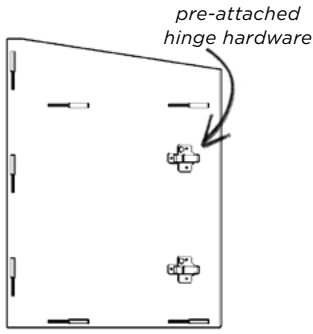
a minimum of two people is required to safely assemble and move the nightstand. do not attempt to move this nightstand alone— dragging or sliding it across a floor may cause structural damage.

**CLEANING:**

do not scratch or chip the finish. do not use abrasive chemicals for cleaning. clean with mild soap on a soft rag. rinse and dry thoroughly. if you ever refinish this furniture, be sure to use only a non-toxic finish specified for children's furniture.

**KEEP INSTRUCTIONS FOR FUTURE USE**

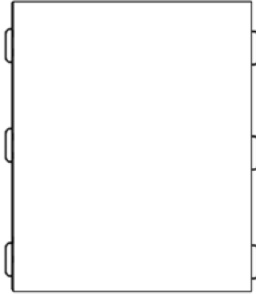
# WHAT'S IN THE BOX:



**A1**  
R side

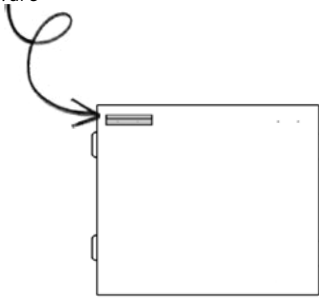


**A2**  
L side

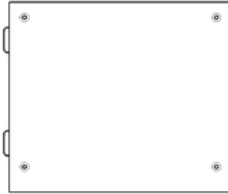


**B**  
back

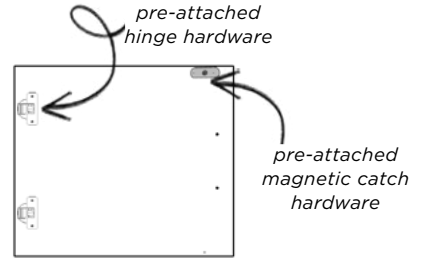
*pre-attached  
magnetic catch  
hardware*



**C**  
top



**D**  
bottom



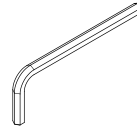
**E**  
door



**F (x4)**  
foot



**G (x4)**  
JCB bolt (25mm)



**H**  
allen key (4mm)



**I**  
hammer cap



**K**  
indi pull

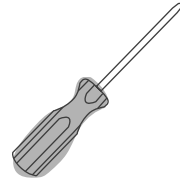


**L (x2)**  
screw for indi pull

## WHAT YOU'LL NEED:



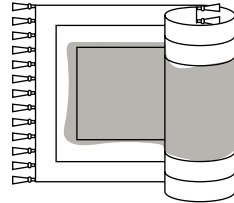
**household hammer or  
rubber mallet**



**phillips head screwdriver and/or  
drill with 6mm bit**



**20 minutes  
(or less)**



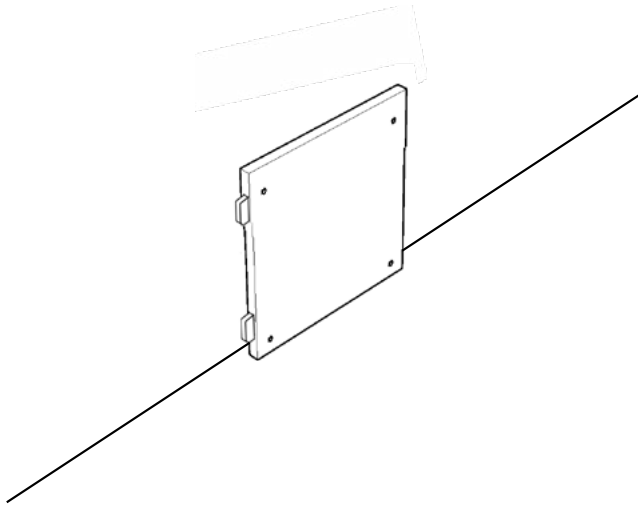
**a soft surface to assemble on**  
*(like a rug or some of the corrugate  
box your piece arrived in)*



**2 people  
plus a dog for moral support**  
*(unless you're a cat person)*

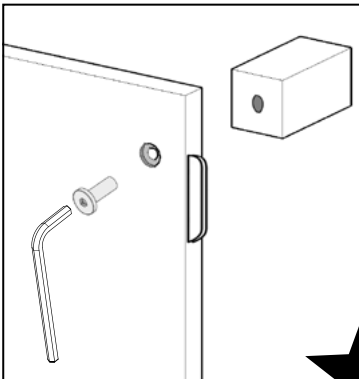
# 1

lean bottom (D) against a wall as shown.



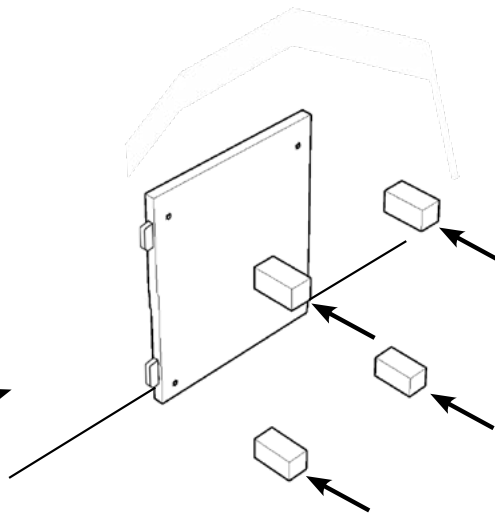
# 2

using the provided allen key (H) and JCB bolts (G x4), attach feet (F x4) to bottom (C). once all feet are securely attached, set the assembled base aside.



**important!**

*be sure the JCB bolts are attached to the side of the bottom panel WITH the countersink holes.*



**duc insider tip!**  
*be sure the edges of the feet are square to the edges of the bottom panel before fully tightening the JCB bolts.*

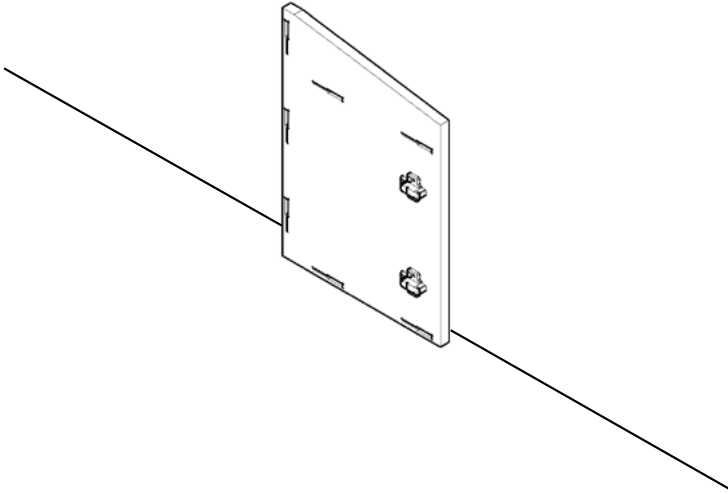
still confused? scan this code to watch the assembly video! →





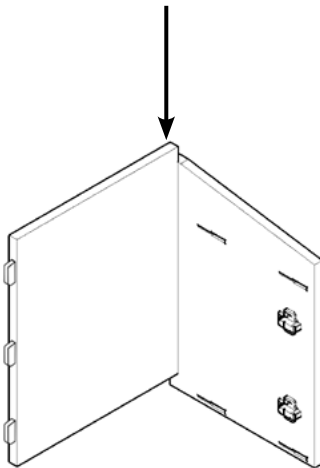
# 3

lean R side (A1) against a wall as shown.



# 4

insert connectors on back (B) into the slots on R side (A1) as shown. push down at the connection to lock into place.

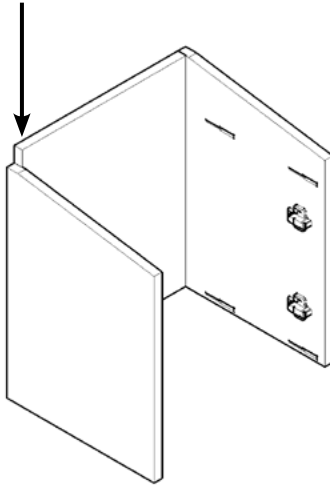


still confused? scan this code to watch the assembly video!



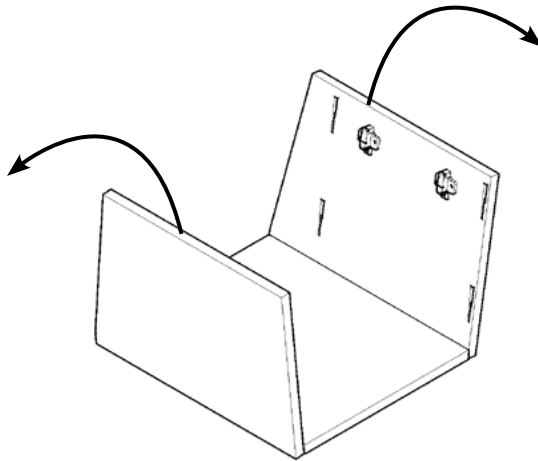
# 5

insert connectors on back (B) into slots on L side (A2). push down at the connection to lock into place.



# 6a

have a friend gently flare both sides (A1 + A2) outward as shown.



still confused? scan this code to watch the assembly video!

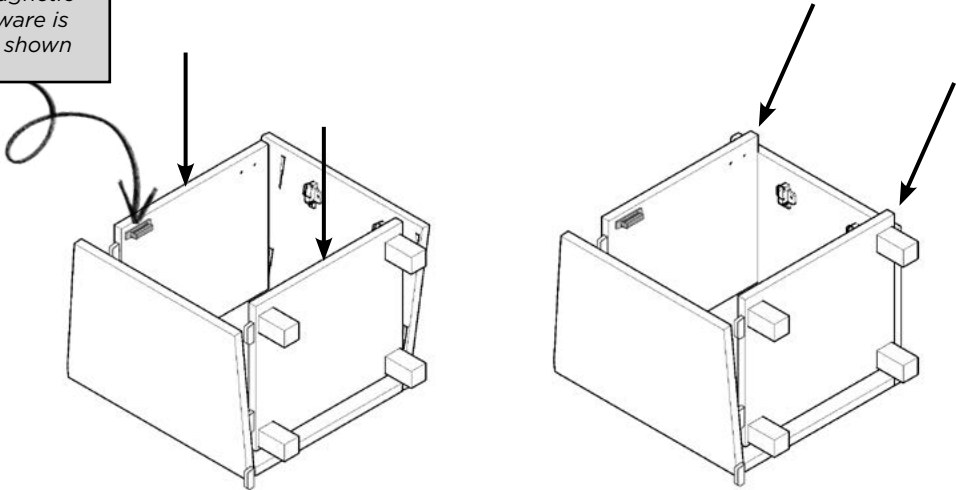


# 6b

with the sides flared outward, insert the connectors on bottom (D) and top (C) into slots on R side (A1).

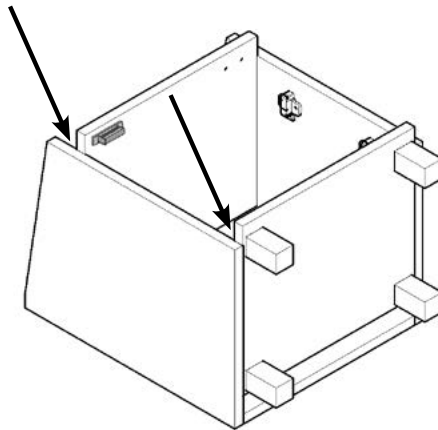
**important!**

*when inserting the top, be sure the pre-attached magnetic catch hardware is oriented as shown*



# 6c

insert remaining connectors on bottom (D) and top (C) into slots on L side (A2).

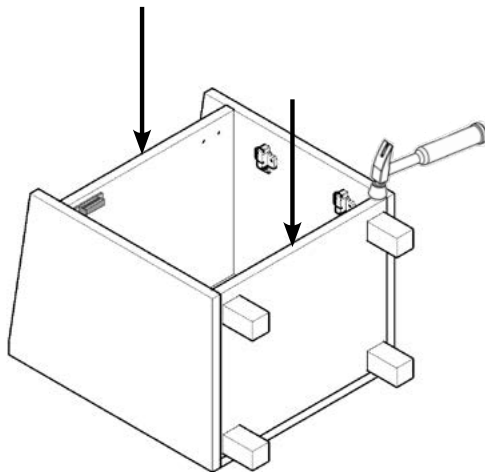


still confused? scan this code to watch the assembly video! →



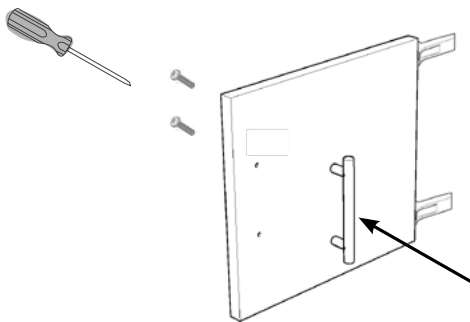
# 6d

once all connectors and slots are lined up and case sides are back to square position, apply hammer cap (I) to the head of a household hammer and tap bottom (D) and top (C) until there is no gap at the connection to back (B).



# 7

use your phillips screwdriver and screws (L x2), attach indi pull hardware (K) to the front door (E).



still confused? scan this code to watch the assembly video! →





## it's time to decide!

the indi nightstand can be assembled with the hinges on the **RIGHT** or **LEFT** side. we know choices can be a blessing and a curse, so poll all invested parties, phone a friend, or do whatever you need to help make your decision. then, when you're ready, move on to step 8 or 9a— depending on which side is the lucky winner.

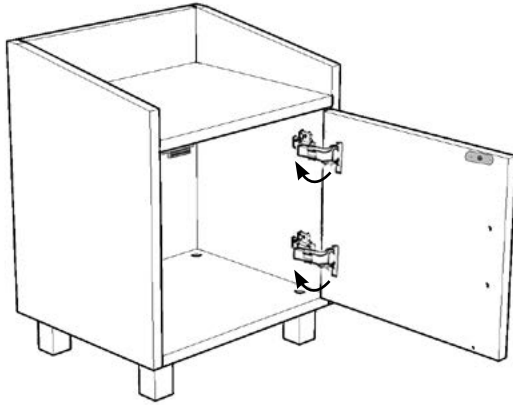
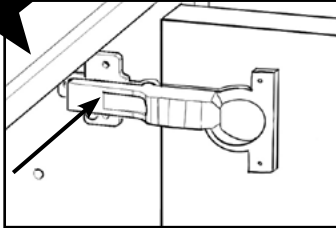
# 8

## **HINGES ON RIGHT:**

the indi nightstand is shipped with the hardware pre-attached for a right-hinged installation. simply attach door (E) to R side (A1) by lining up the hinge hardware and firmly pushing on it until it clicks into place.

### **important!**

*be sure the hardware is in extended position as shown. you will hear an audible click when the connection is made.*



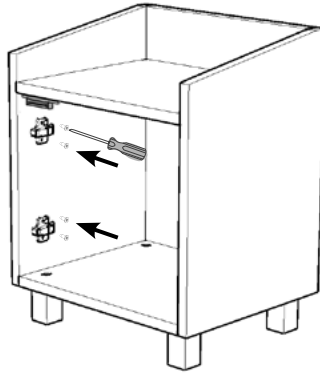
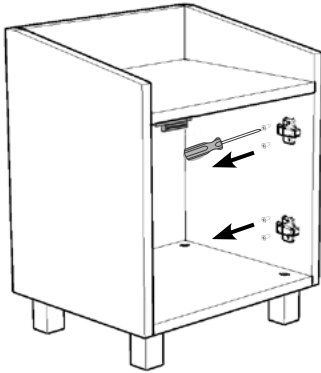
still confused? scan this code to watch the assembly video! →



# 9a

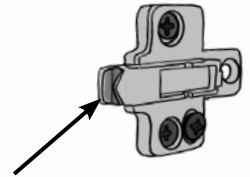
## HINGES ON LEFT:

use a phillips head screwdriver or power drill to remove the screws (x2) that attach each piece of hinge hardware (x2) to R side (A1). once removed, rotate the hardware 180° and use the same screws to securely attach each piece to the L side (A2) using the pre-drilled pilot holes as a guide.



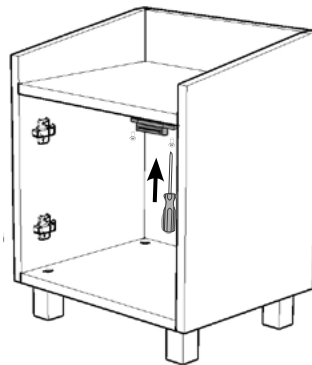
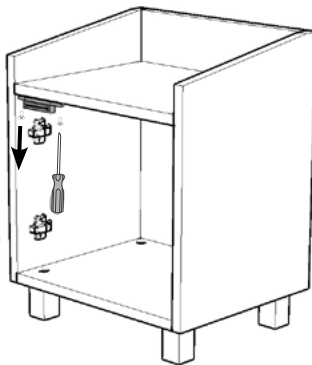
**important!**

*when re-attaching the hinge hardware to the left side, be sure it is oriented as shown below (with the U-shaped edge facing outward)*



# 9b

use a phillips head screwdriver or power drill to remove screws from the magnetic catch hardware attached to underside of top (C). once removed, reattach the hardware to the opposite side of the top (C) using the pre-drilled pilot holes as a guide.

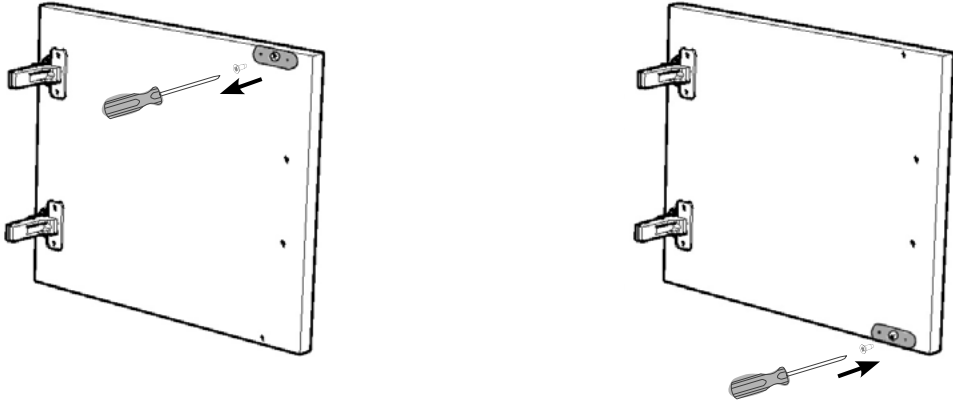


still confused? scan this code to watch the assembly video! →



# 9c

use a phillips head screwdriver or power drill to remove the screw from the magnetic catch hardware attached to interior of door (E). once removed, reattach the hardware to the opposite end of the door (E) using the pre-drilled pilot holes as a guide.

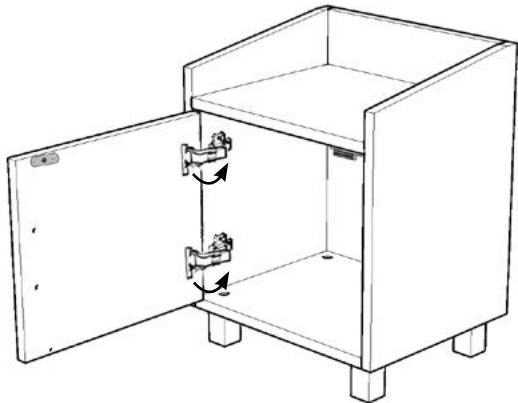
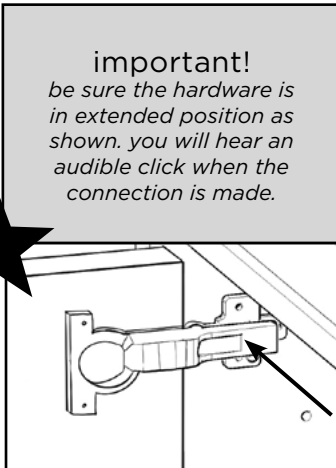


# 9d

once all hardware is re-oriented and securely attached to the nightstand, install door (E) to L side (A2) by lining up the hinge hardware and firmly pushing on it until it clicks into place.

## important!

*be sure the hardware is in extended position as shown. you will hear an audible click when the connection is made.*



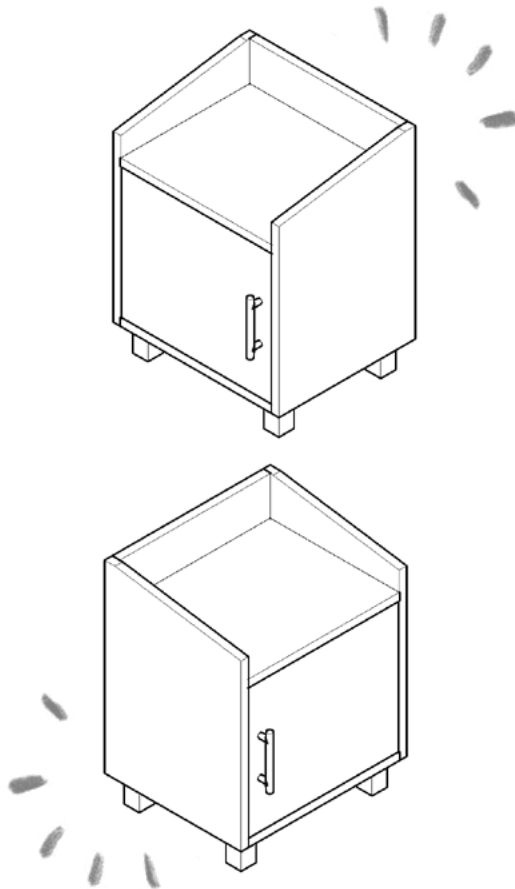
still confused? scan this code to watch the assembly video! →





**voilà! you did it!**

give yourself a pat on the back, take a bow,  
or go home a pint of ice cream...we don't judge.



# prefer to talk to a human instead? we're here for you!

contact our customer advocate team below:



212.226.1868



[quack@ducducnyc.com](mailto:quack@ducducnyc.com)



live chat at  
[ducducnyc.com](https://ducducnyc.com)



200 lexington, no. 1201  
ny, ny 10016