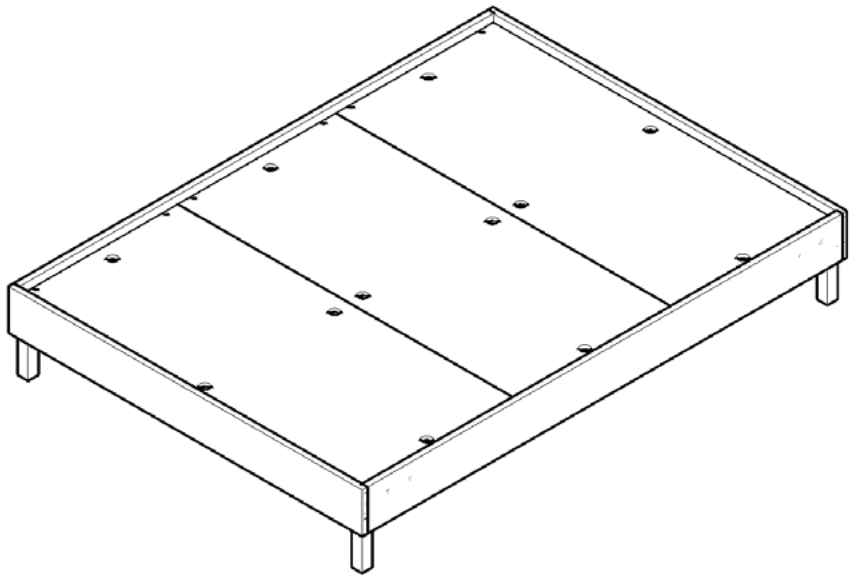




ASSEMBLY INSTRUCTIONS

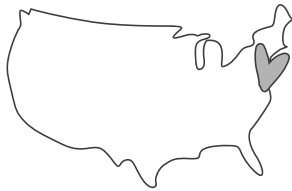
indi full platform bed

a how-to guide that won't leave you in tears



parenting is hard.
this is easy.

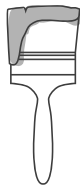
no really, it is.



MADE HERE™



MADE WELL™



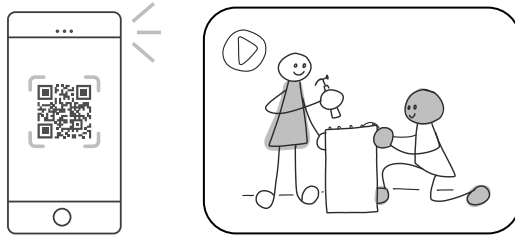
MADE SAFE



MADE SMART

want to watch this assembly IRL?

(acronym challenged? that means “in real life”.)



open the camera on your phone and place it over the QR code below to see our NYC studio dream team do all the heavy lifting (just kidding, there is none!)



or go to ducdcnyc.com/pages/assembly-instructions

**thank you for selecting a
studio duc product!**

please check contents against the components list in these instructions. also, please ensure there was no damage that may have occurred in shipping.

if any components are missing or you find any damage, please contact ducduc before continuing.

read all the instructions before use.

pay close attention to the safety warnings in these instructions.

a minimum of two people is required to safely assemble and move the bed. do not attempt to move this bed alone—dragging or sliding it across a floor may cause structural damage.

MAINTENANCE:

please remember to securely tighten all bolts and fasteners, and periodically check to make sure every component is properly and securely in place and all bolts and fasteners are tight.

CLEANING:

do not scratch or chip the finish. do not use abrasive chemicals for cleaning. clean with mild soap on a soft rag. rinse and dry thoroughly. if you ever refinish this furniture, be sure to use only a non-toxic finish specified for children's furniture.

KEEP INSTRUCTIONS FOR FUTURE USE

WHAT'S IN THE BOX:



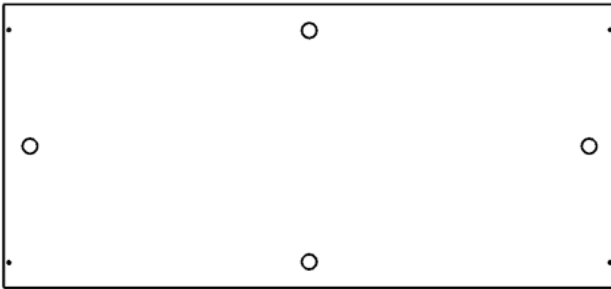
A x2
headboard/footboard



B1 x2
side rail



B2
center support



C x3
mattress panel



D
hammer cap

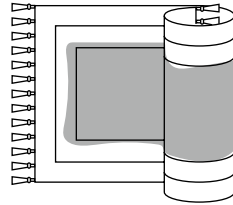
WHAT YOU'LL NEED:



**household hammer or
rubber mallet**



15 minutes
(or less)



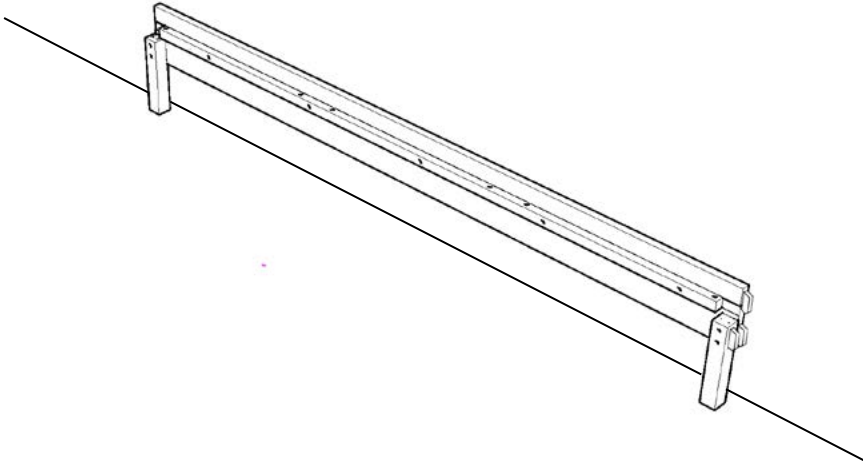
a soft surface to assemble on
*(like a rug or some of the corrugate
box your piece arrived in)*



2 people
plus a dog for moral support
(unless you're a cat person)

1

lean one side rail (B1) against the wall as shown.

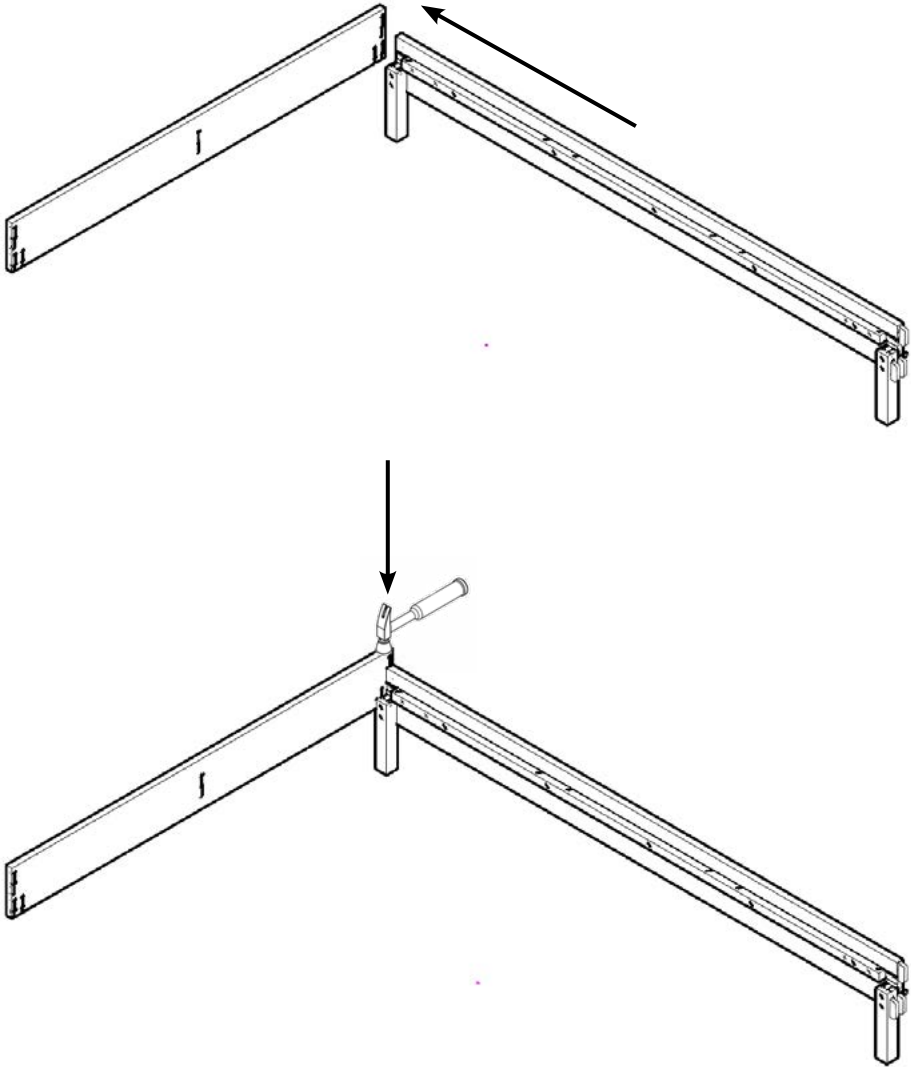


confused? scan this code to watch the assembly video!



2

apply hammer cap (D) to the head of a household hammer. have a friend hold headboard (A) off the ground in order to line up the connectors on side rail (B1) with slots on headboard (A). use hammer with hammer cap (D) to tap into place.

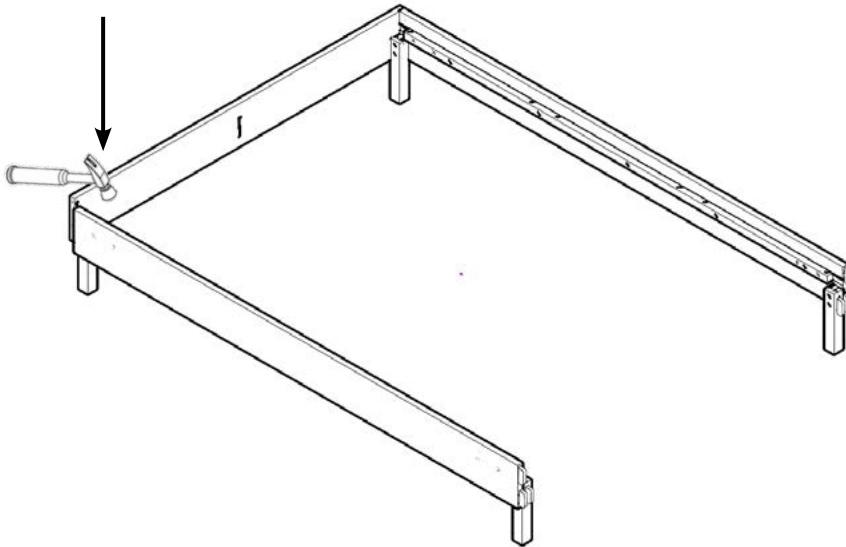
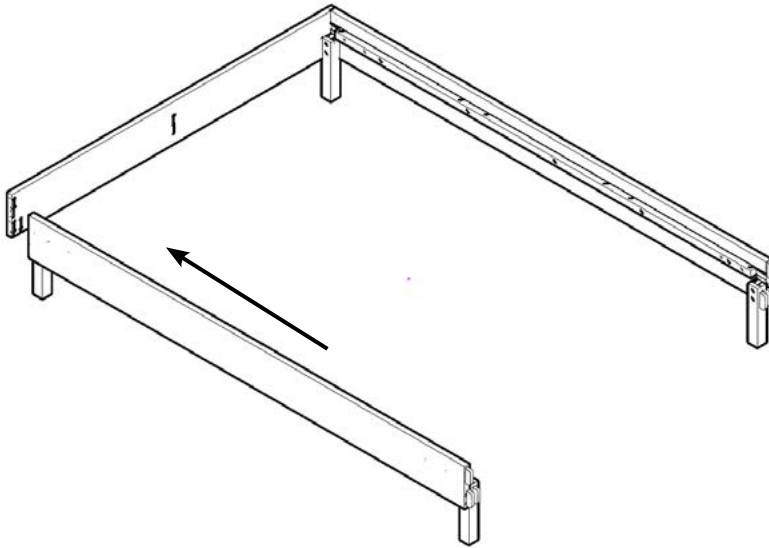


confused? scan this code to watch the assembly video!



3

insert connectors on second side rail (B1) into remaining slots on headboard (A). use hammer with hammer cap (D) to tap into place.

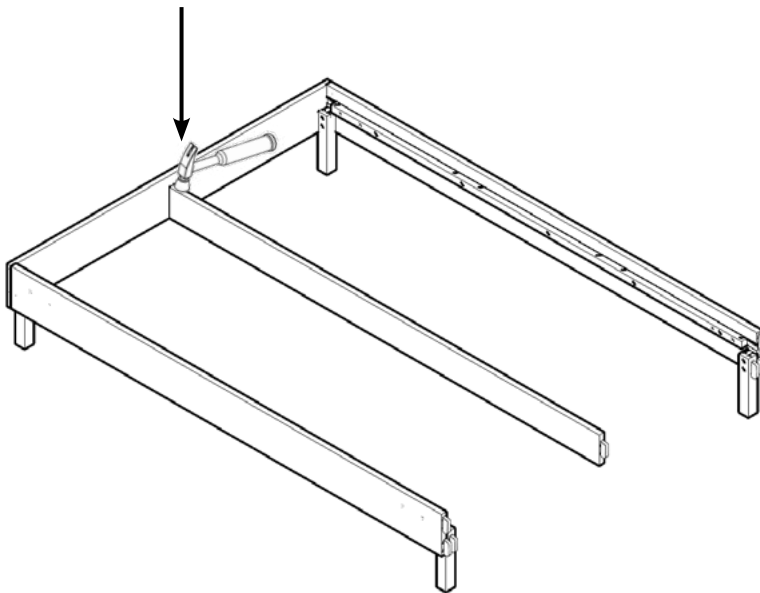
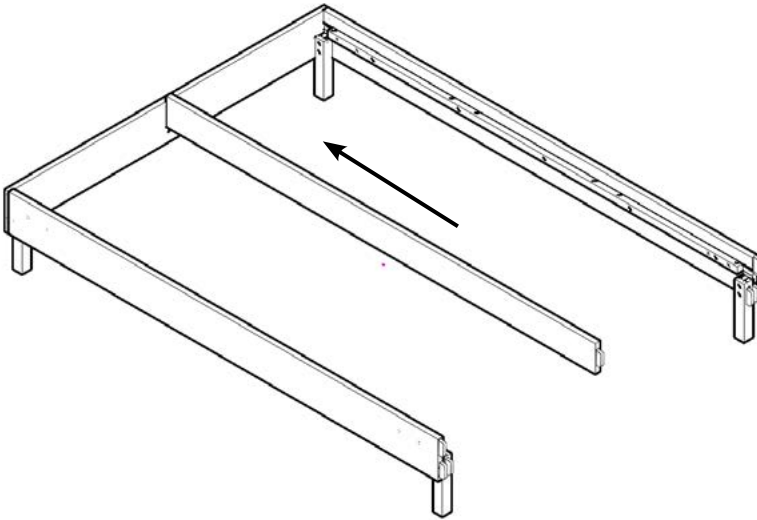


confused? scan this code to watch the assembly video!



4

insert connectors on center support (B2) into slots on footboard (A). tap into place.

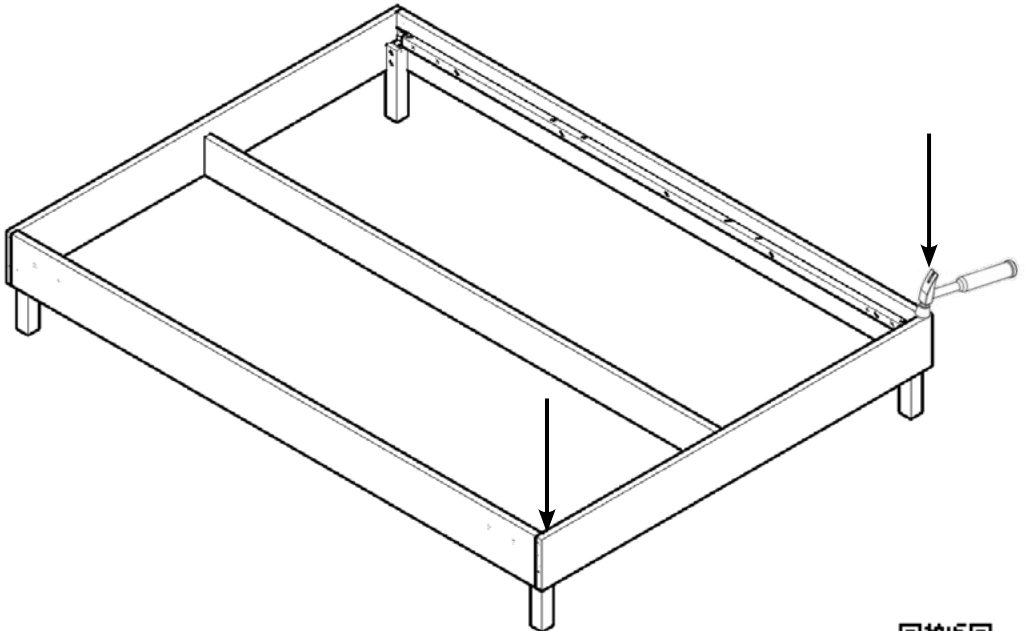
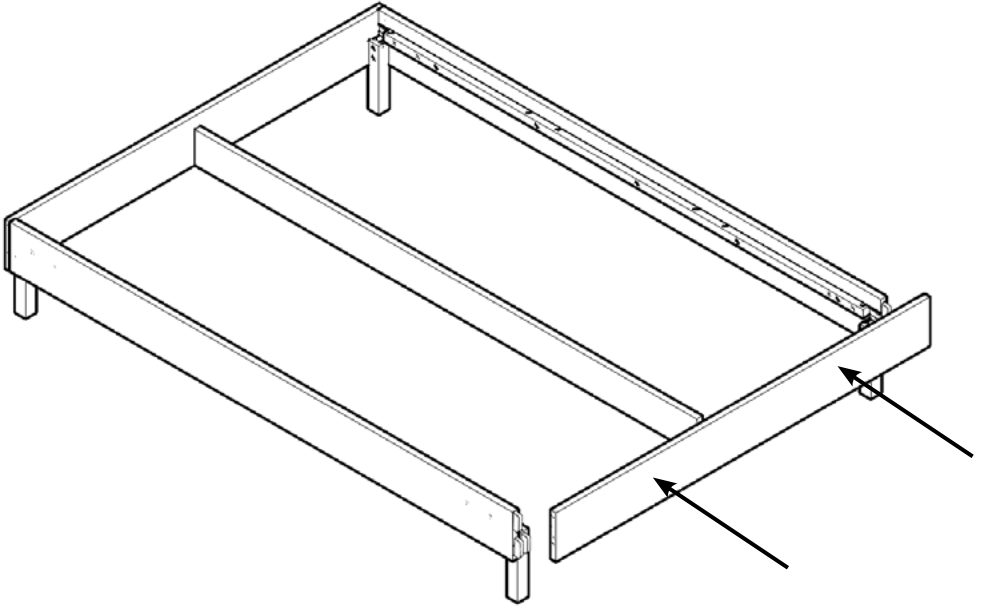


still confused? scan this code to watch the assembly video!



5

insert connectors on both side rails (B1) and center support (B2) into slots on footboard (A). tap into place.

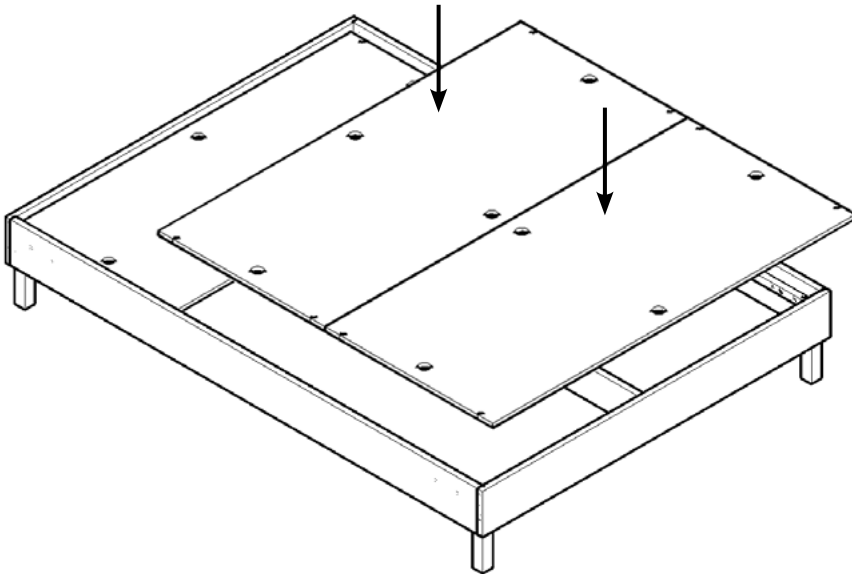
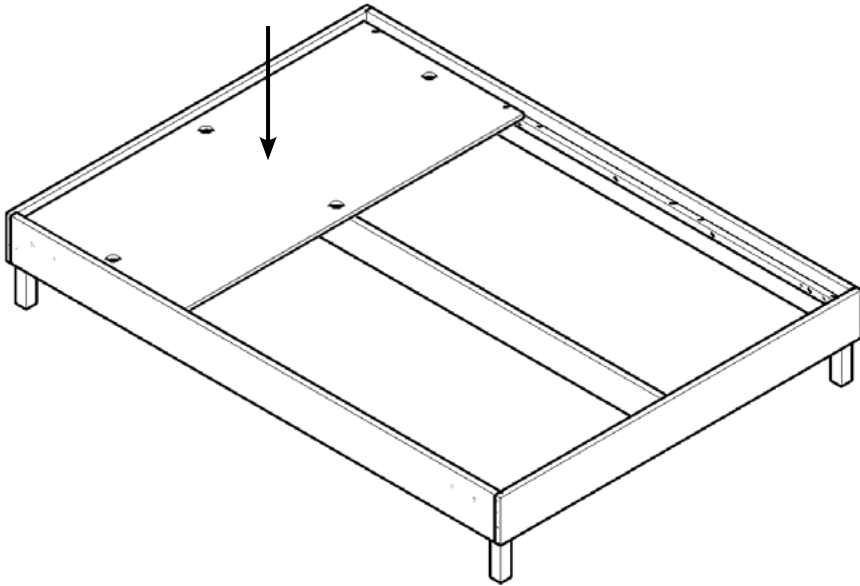


confused? scan this code to watch the assembly video!



6

with a friend, lift one mattress panel (C) and place on side rails (B1) so the connectors on side rail cleats line up with holes on underside of mattress panel (C). once connectors and holes are aligned, push down to lock into place. repeat until all mattress panels (C) are secured into place.

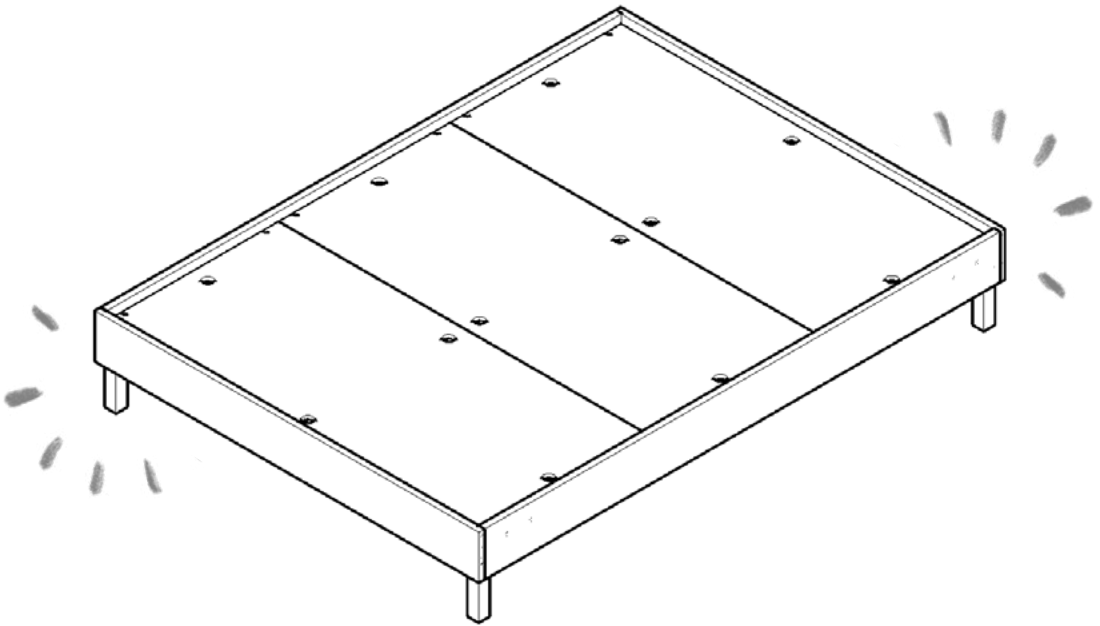


confused? scan this code to watch the assembly video!



boom! you did it!

give yourself a pat on the back, take a bow,
or go home a pint of ice cream...we don't judge.



prefer to talk to a human instead? we're here for you!

contact our customer advocate team below:



212.226.1868



quack@ducducnyc.com



live chat at
ducducnyc.com



200 lexington, no. 1201
ny, ny 10016