



ASSEMBLY INSTRUCTIONS

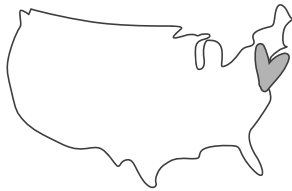
indi dresser/changer

a how-to guide that won't leave you in tears



parenting is hard.
this is easy.

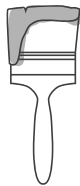
no really, it is.



MADE HERE™



MADE WELL™



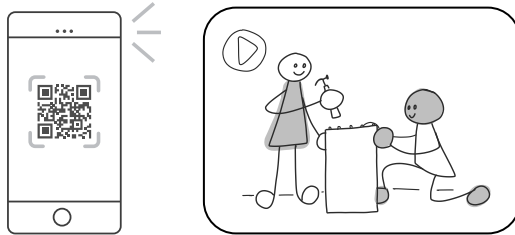
MADE SAFE



MADE SMART

want to watch this assembly IRL?

(acronym challenged? that means “in real life”.)



open the camera on your phone and place it over the QR code below to see our NYC studio dream team do all the heavy lifting (just kidding, there is none!)



or go to ducdcnyc.com/pages/assembly-instructions

**thank you for selecting a
studio duc product!**

Please check contents against the components list in these instructions. Also, please ensure there was no damage that may have occurred in shipping. If any components are missing or you find any damage, please contact ducduc before continuing.

We recommend the use of a Colgate 3-Sided contour Pad (CR300-S80) if this dresser is to be used as a changing table.

Maximum changing pad dimensions: W16" x L33" x H5".

Pay close attention to the safety warnings in these instructions and on dresser/changer labels.

The maximum weight of any child on top of the dresser/changer is 45 pounds.

WARNING

FALL HAZARD: Children have suffered serious injuries after falling from changing tables. Falls can happen quickly.

- **STAY** in arm's reach of your child.
- **ALWAYS** secure this unit to support surface using the mounting hardware provided. see instructions.

Read all the instructions before use.

Do not use if dresser/changer is damaged or broken.

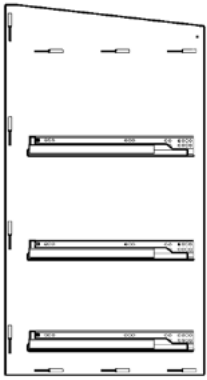
CARE AND CLEANING:

Do not scratch or chip the finish. Do not use abrasive chemicals for cleaning. Clean with mild soap on a soft rag. Rinse and dry thoroughly. If you ever re-finish this furniture, be sure to use only a non-toxic finish.

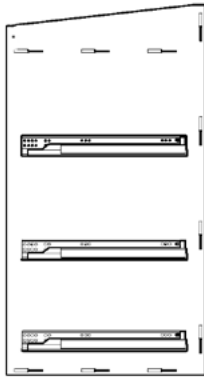
Do not attempt to move this dresser/changer alone—dragging or sliding it across a floor may cause structural damage. A minimum of two people is required to safely lift and reposition the dresser/changer.

KEEP INSTRUCTIONS FOR FUTURE USE

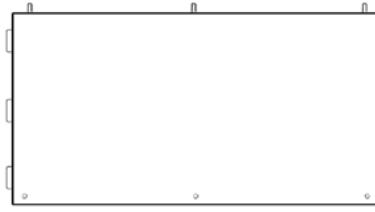
WHAT'S IN THE BOX:



A1
R side panel



A2
L side panel



E
top



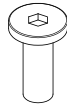
DB1 (x3)
drawer face



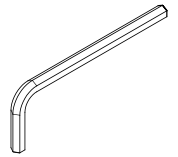
F (x4)
foot



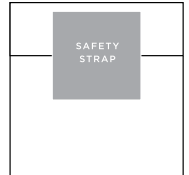
G
hammer cap



H (x4)
JCB bolt (25mm)



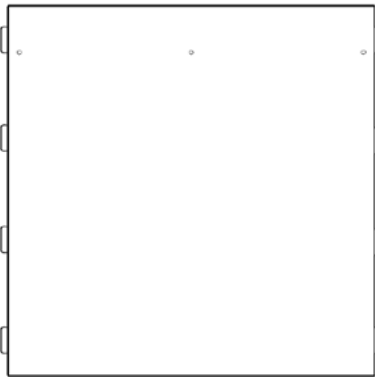
I
allen key (4mm)



J
safety strap kit
(with hardware)



K (x2)
confirmat screw for
stretcher



B
back panel



DB2 (x3)
drawer box back



DB3 (x3)
L drawer box side



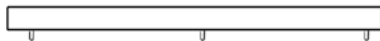
DB4 (x3)
R drawer box side



C
bottom



DB5 (x3)
drawer box bottom



D
tray stretcher



DB6 (x3)
indi pull

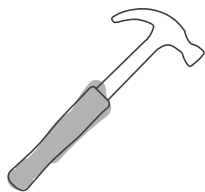


DB7 (x6)
screw for indi pull

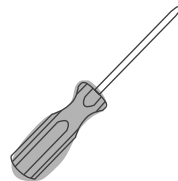


L
allen key (3mm)

WHAT YOU'LL NEED:



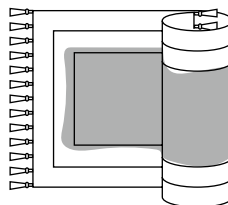
**household hammer or
rubber mallet**



phillips head screwdriver



20 minutes
(or less)

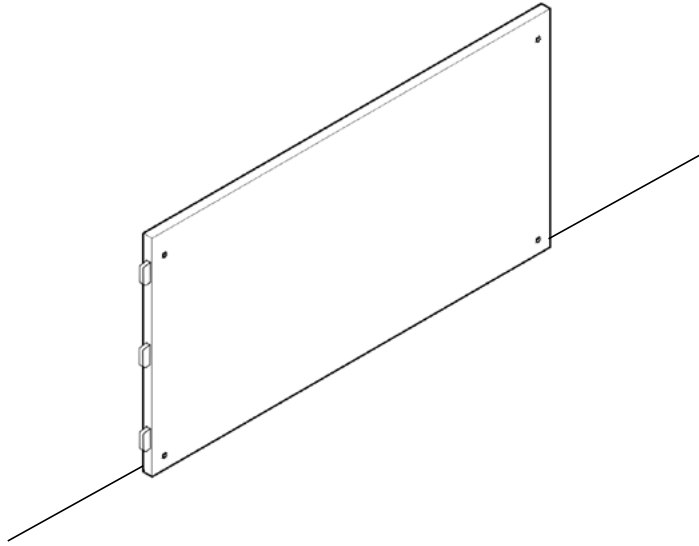


a soft surface to assemble on
*(like a rug or some of the corrugate
box your piece arrived in)*

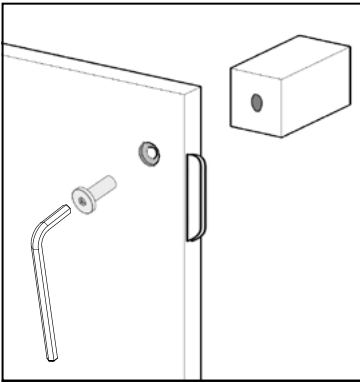


2 people
plus a dog for moral support
(unless you're a cat person)

1 lean bottom (C) against a wall as shown.

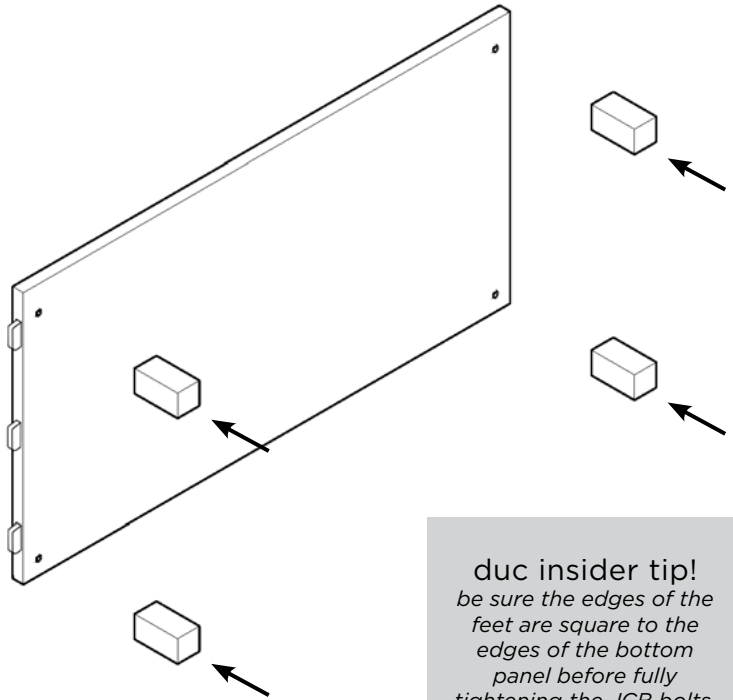


2 using the provided allen key (I) and JCB bolts (H), attach feet (F) to bottom (C). once all feet are securely attached, set the assembled base aside.



important!

be sure the JCB bolts are attached to the side of the bottom panel WITH the countersink holes.



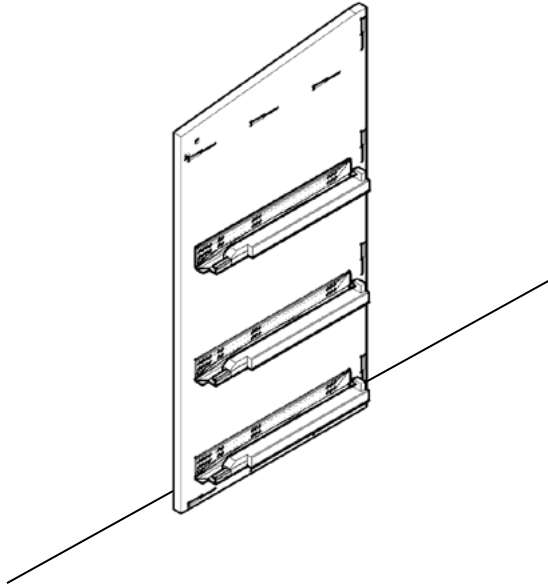
duc insider tip!
be sure the edges of the feet are square to the edges of the bottom panel before fully tightening the JCB bolts.

still confused? scan this code to watch the assembly video! →



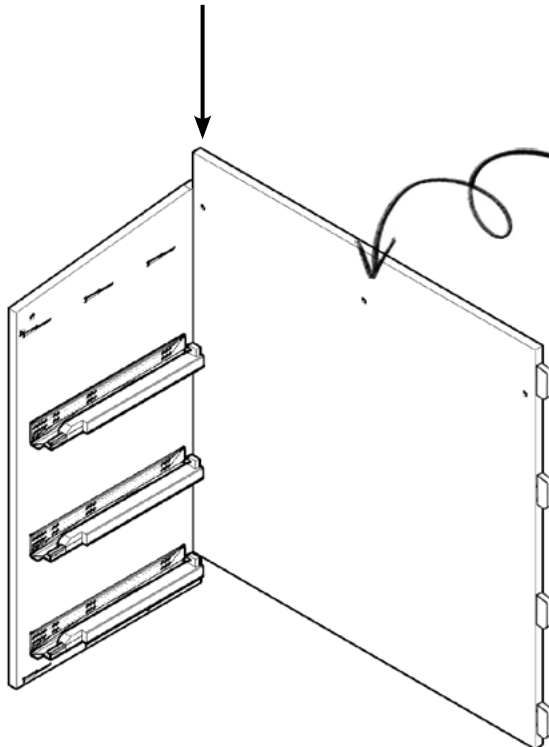
3

lean L side panel (A2) against a wall as shown.



4

insert connectors on back panel (B) into slots on L side panel (A2). push down at the connection to lock into place.



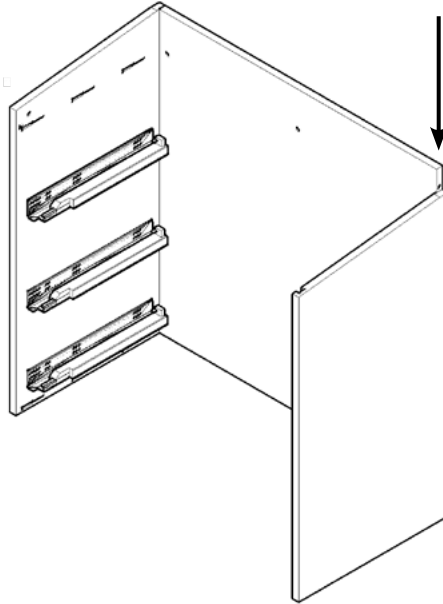
important!
*be sure the 3
holes on the back
panel are located
at the top interior*

still confused? scan this code to watch the assembly video!



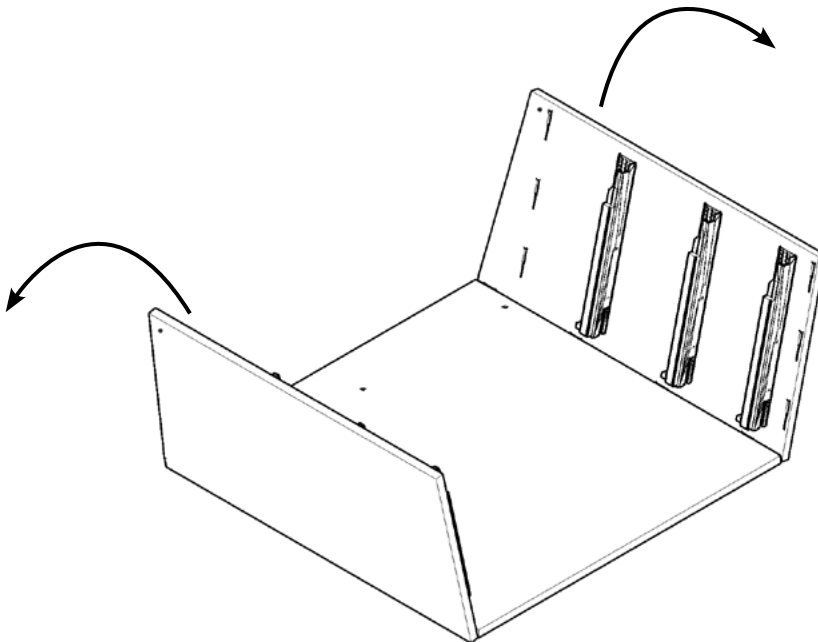
5

insert connectors on back panel (B) into slots on R side panel (A1). push down at the connection to lock into place.



6a

gently lay the partially assembled case on its back and have a friend gently flare the side panels (A1 + A2) outward as shown.

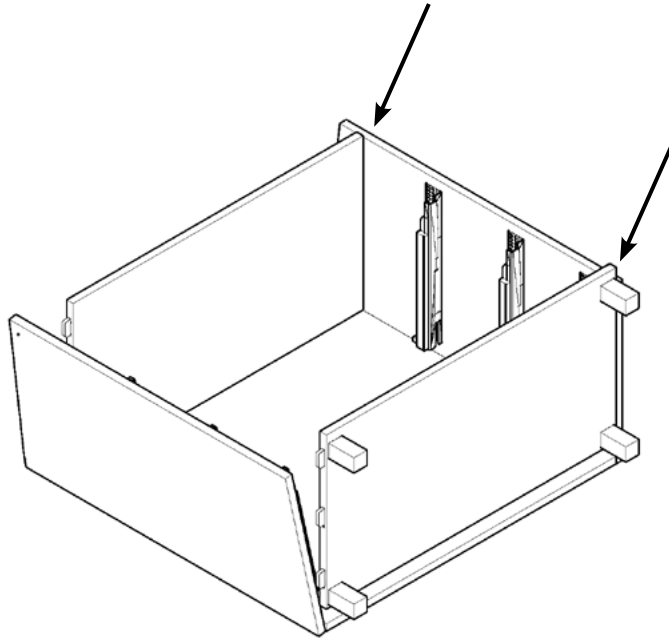
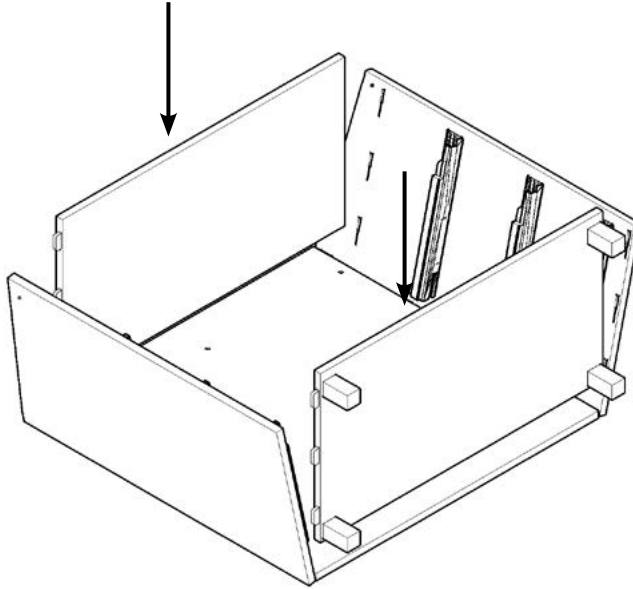


still confused? scan this code to watch the assembly video!



6b

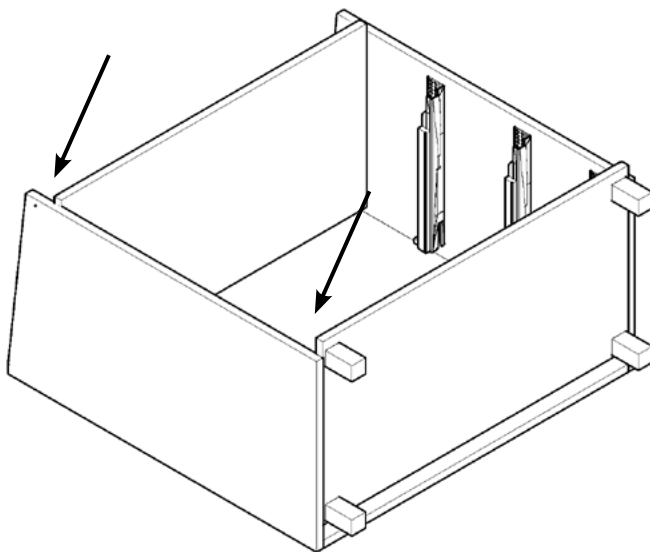
with the side panels flared outward, insert connectors of assembled base (C + F) and top (E) into slots on R side panel (A1).



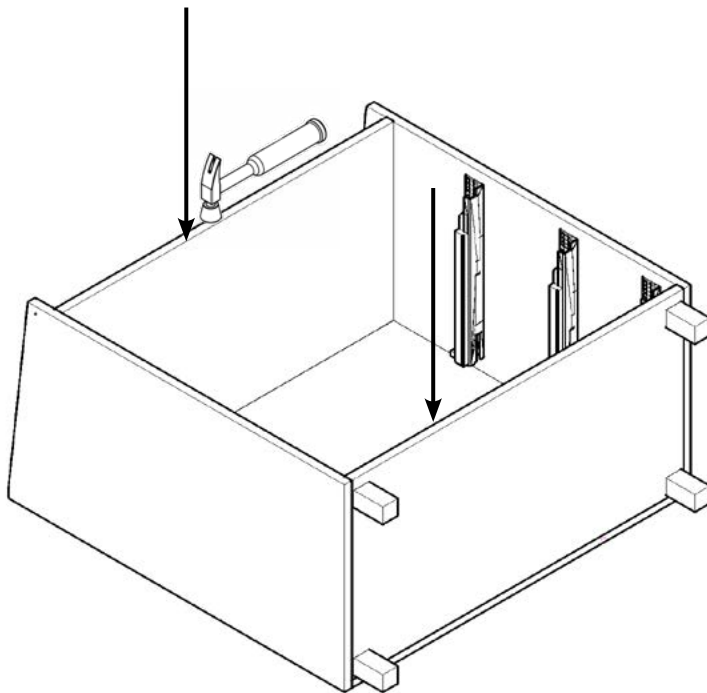
still confused? scan this code to watch the assembly video!



6c insert remaining connectors on assembled base (C + F) and top (E) into slots on L side panel (A2).



6d once all connectors and slots are lined up and side panels are back to square position, apply hammer cap (G) to the head of a household hammer and tap bottom panel (C) and top (E) until there is no gap at the connection to back panel (B).

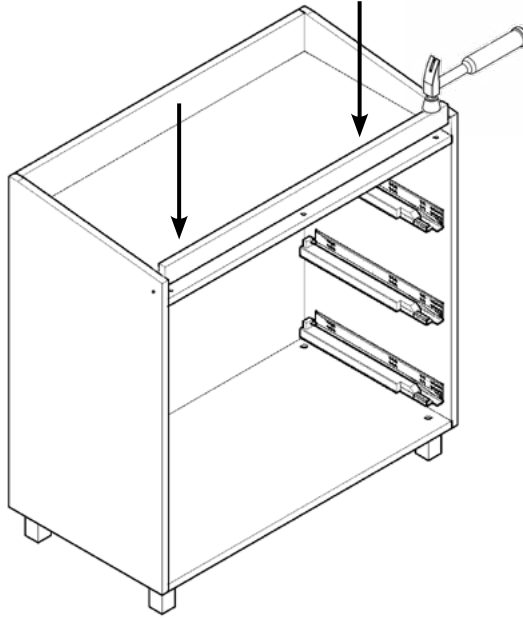


still confused? scan this code to watch the assembly video! →



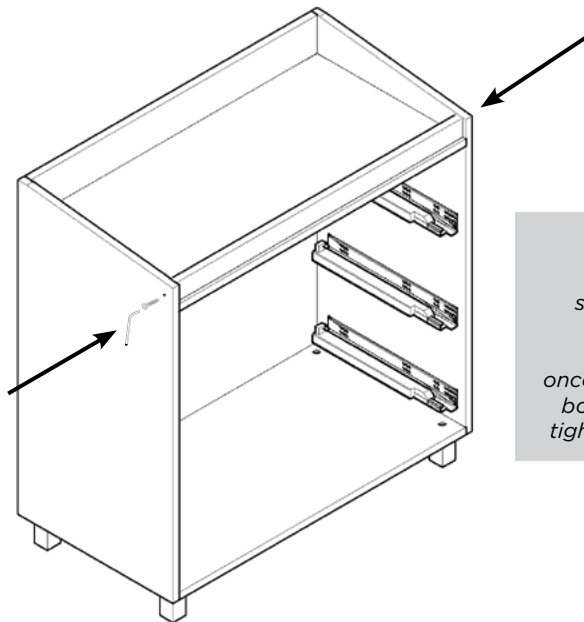
7a

with a friend, rotate the assembled case into upright position. position tray stretcher (D) between two side panels (A1 + A2) as shown. once the connectors on tray stretcher (D) are lined up with the holes on top (E), use hammer with hammer cap (G) to tap until secure.



7b

insert screws (K) into holes on side panels (A1 + A2). use allen key (L) to secure tray stretcher (D) to side panels (A1 + A2).



duc insider tip!
when attaching the tray stretcher, start by loosely screwing in each bolt.

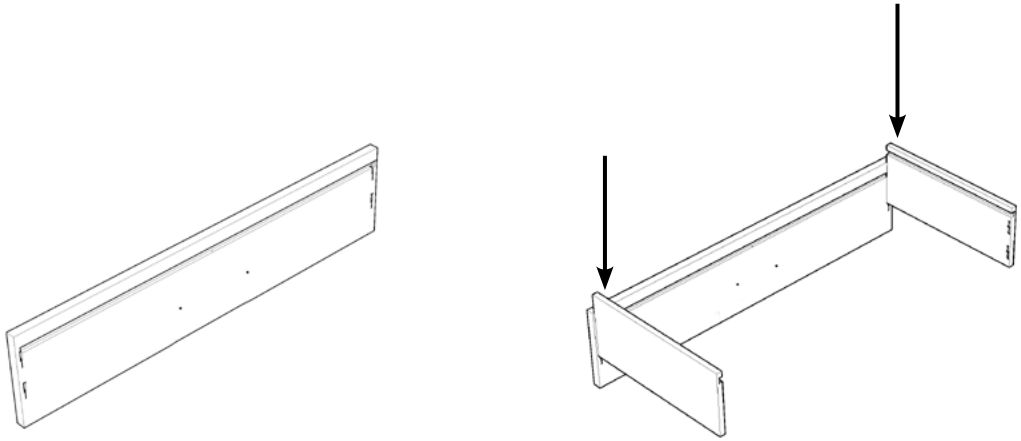
once everything is lined up and both bolts are in place, fully tighten all screws until secure.

still confused? scan this code to watch the assembly video! →



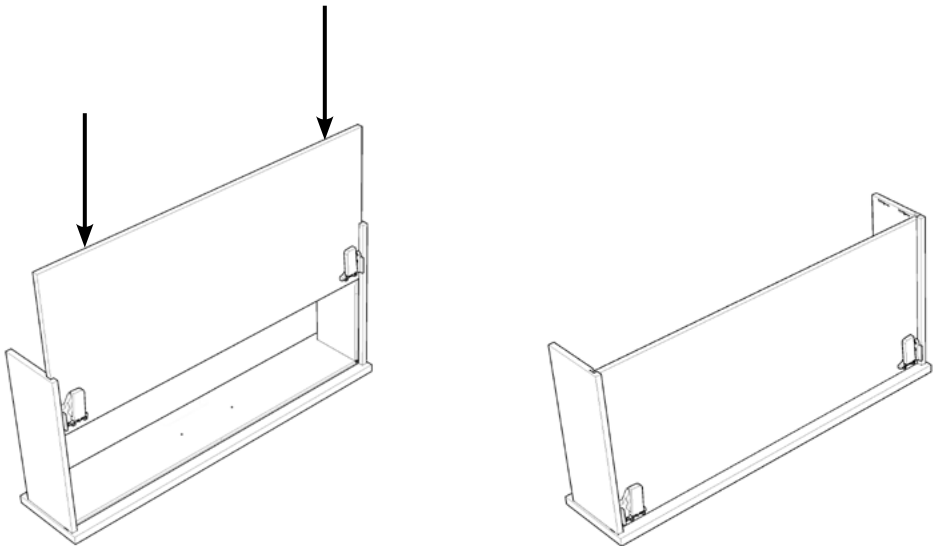
8a

now we build the drawers! starting with drawer face (DB1) facing down, insert connectors of both drawer box side panels (DB3 + DB4) into slots on drawer face (DB1). push down at the connections to lock into place.



8b

rotate the partially assembled drawer box as shown. slide drawer box bottom (DB5) into place using grooves on the drawer box side panels (DB3 + DB4) as guides. be sure glide hardware on bottom panel (DB5) is positioned outside the drawer interior and toward the drawer face (DB1) as shown.

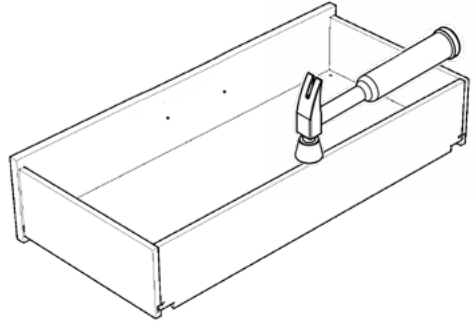
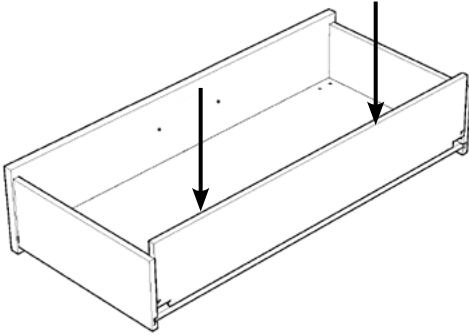


still confused? scan this code to watch the assembly video! →



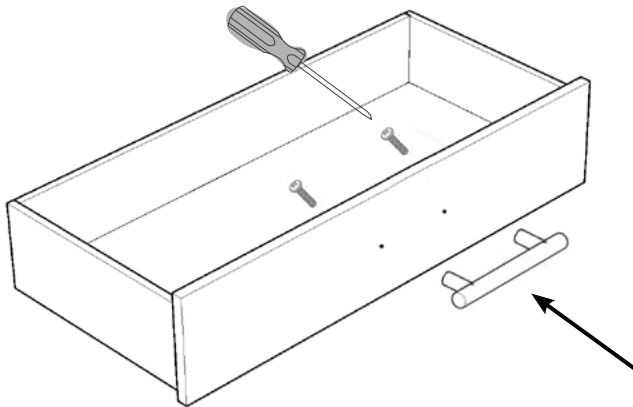
8c

again, rotate partially assembled drawer box as shown. insert connectors of drawer box back (DB2) into slots on drawer box sides (DB3 + DB4). push down at the connections to lock into place. use hammer and hammer cap (F) if needed.



8d

using a phillips screwdriver and screws (DB7), attach the pull hardware (DB6) to the front of each drawer face.

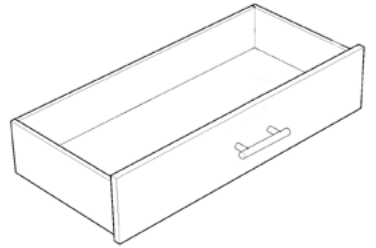
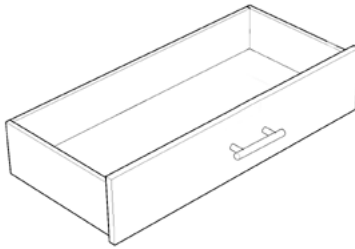
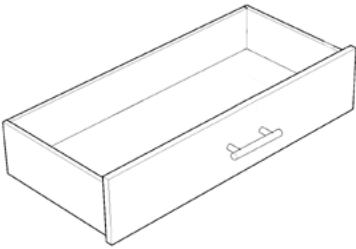


still confused? scan this code to watch the assembly video! →



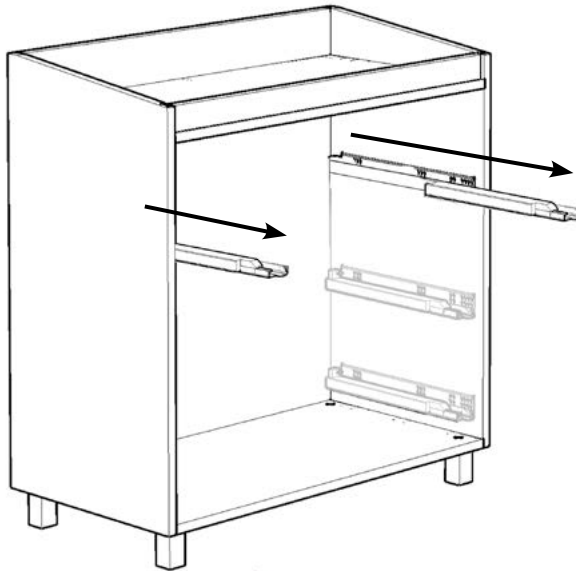
9

build remaining drawers using steps 8a, 8b, 8c, and 8d.



10a

starting at the top, pull drawer glides out to extended position as shown.

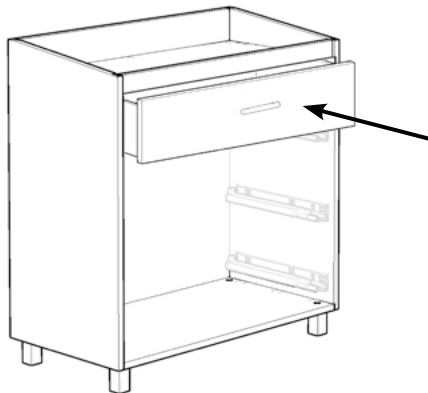
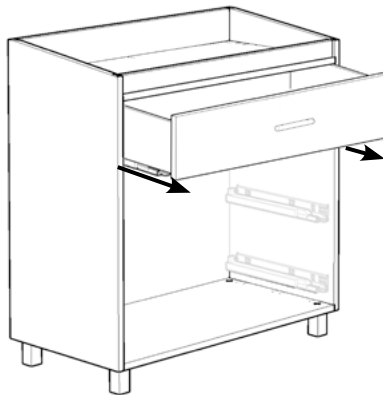
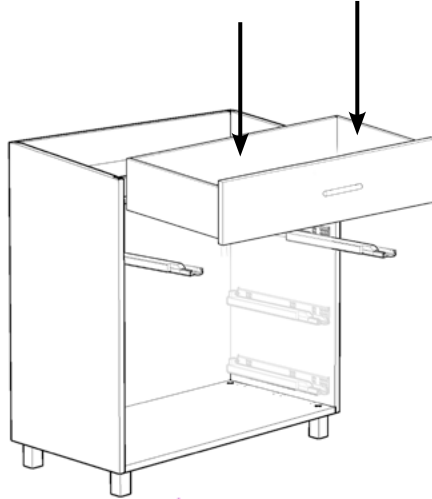


still confused? scan this code to watch the assembly video!



10b

place one assembled drawer box onto extended glides as shown. from underside of drawer, use hands to pull each glide forward until it locks into connection with glide hardware attached to drawer box bottom (DB5). the drawer will be secure when you hear a click on each connection. once secured, push drawer box in to close.



still confused? scan this code to watch the assembly video! →



11

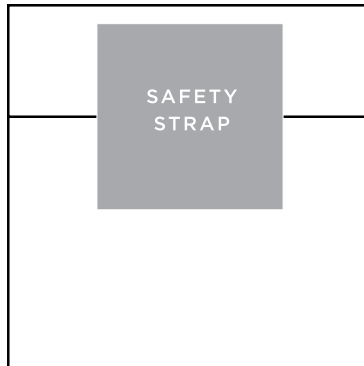
repeat steps 10a + 10b to install the remaining drawers.



12 safety strap installation

Important! Do not skip this step. Furniture tipping over is a serious threat to children's safety.

the last step for your dresser/changer is to install the safety strap included in the box. reference the separate instructions enclosed in the envelope.



yippee! you did it!

give yourself a pat on the back, take a bow,
or go house a pint of ice cream...we don't judge.



prefer to talk to a human instead? we're here for you!

contact our customer advocate team below:



212.226.1868



quack@ducducnyc.com



live chat at
ducducnyc.com



200 lexington, no. 1201
ny, ny 10016