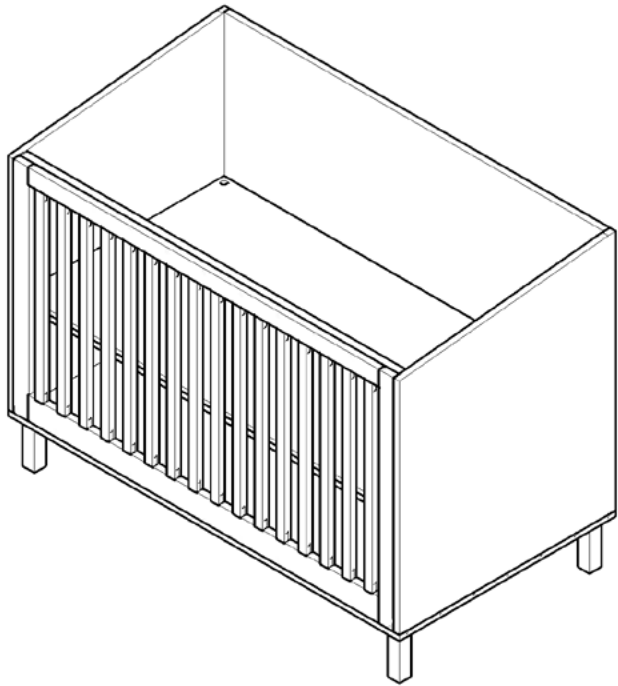




ASSEMBLY INSTRUCTIONS

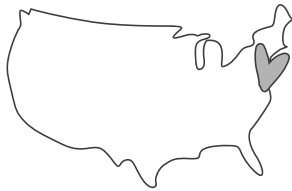
indi crib

a how-to guide that won't leave you in tears



parenting is hard.
this is easy.

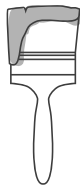
no really, it is.



MADE HERE™



MADE WELL™



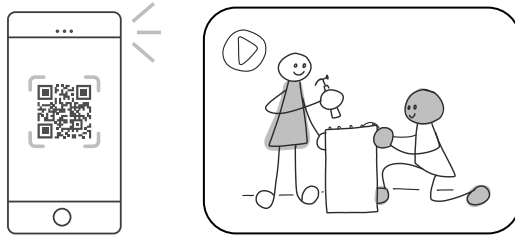
MADE SAFE



MADE SMART

want to watch this assembly IRL?

(acronym challenged? that means “in real life”.)



open the camera on your phone and place it over the QR code below to see our NYC studio dream team do all the heavy lifting (just kidding, there is none!)



or go to ducdcnyc.com/pages/assembly-instructions

**thank you for selecting a
studio duc product!**

Please check contents against the components list in these instructions. Also, please ensure there was no damage that may have occurred in shipping.

If any components are missing or you find any damage, please contact ducduc before continuing.

Read all the instructions before use of the crib.

Please remember to securely tighten all bolts and fasteners, and periodically check to make sure every component is properly and securely in place and all bolts and fasteners are tight.

Pay close attention to the safety warnings in these instructions and on crib labels.

A minimum of two people is required to safely assemble and move the crib. Do not attempt to move this crib alone - dragging or sliding it across a floor may cause structural damage.

KEEP INSTRUCTIONS FOR FUTURE USE

MAINTENANCE:

Periodically check to make sure every component is properly and securely in place and all bolts and fasteners are tight.

CLEANING:

Do not scratch or chip the finish. Do not use abrasive chemicals for cleaning. Clean with mild soap on a soft rag. Rinse and dry thoroughly. If you ever refinish this furniture, be sure to use only a non-toxic finish specified for children's furniture.

STORAGE:

Store crib in a dry area.

CAUTION

any mattress used in this crib shall be at least $27\frac{1}{4}$ by $51\frac{5}{8}$ in. with a thickness not exceeding 6 in.

⚠️ WARNING

Failure to follow these warnings and the assembly instructions could result in serious injury or death.

Read all instructions before assembling crib. **KEEP INSTRUCTIONS FOR FUTURE USE.**

Infants can suffocate on soft bedding. Never add a pillow or comforter. Never place additional padding under infant.

To reduce the risk of SIDS, pediatricians recommend healthy infants be placed on their backs to sleep, unless otherwise advised by your physician.

STRANGULATION HAZARD:

Strings can cause strangulation! Do not place items with a string around a child's neck, such as hood strings or pacifier cords. Do not suspend strings over a crib or attach strings to toys.

To help prevent strangulation tighten all fasteners. A child can trap parts of the body or clothing on loose fasteners.

DO NOT place crib near window where cords from blinds or drapes may strangle a child.

FALL HAZARD:

When child is able to pull to a standing position, set mattress to lowest position and remove bumper pads, large toys and other objects that could serve as steps for climbing out.

Stop using crib when child begins to climb out or reaches the height of 35 in. (89 cm.).

Check this product for damaged hardware, loose joints, loose bolts or other fasteners, missing parts, or sharp edges before and after assembly and frequently during use.

Securely tighten loose bolts and other fasteners. **DO NOT** use crib if any parts are missing, damaged or broken. Contact ducduc for replacement parts and instructional literature if needed. **DO NOT** substitute parts.

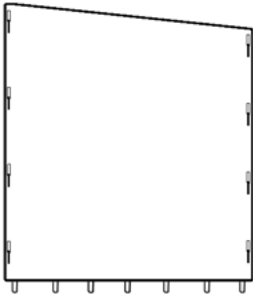
If refinishing, use a non-toxic finish specified for children's products.

Follow warnings on all products in a crib.

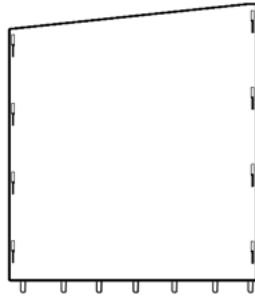
Never use plastic shipping bags or other plastic film as mattress covers because they can cause suffocation.

Infants can suffocate in gaps between crib sides and a mattress that is too small.

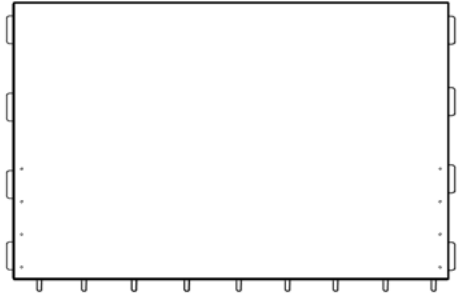
WHAT'S IN THE BOX:



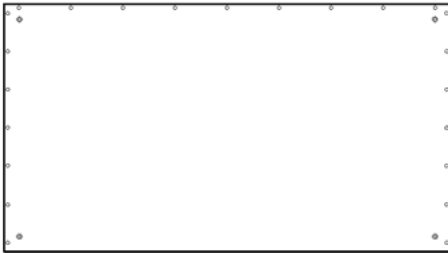
A1
R side panel



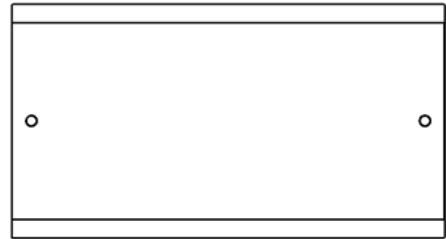
A2
L side panel



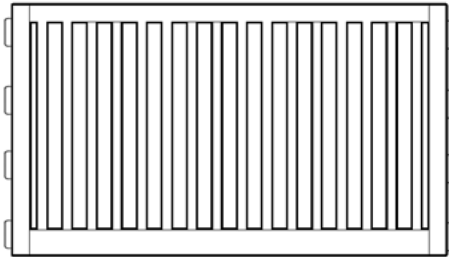
D
back panel



B
bottom panel



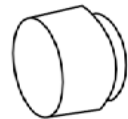
E
mattress panel



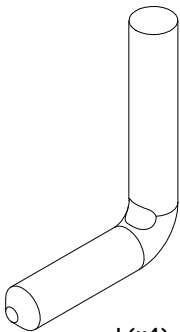
C
side rail



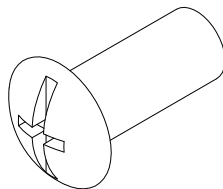
F (x4)
foot



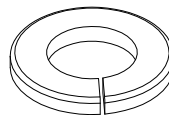
G
hammer cap



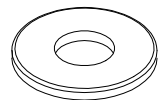
J (x4)
mattress support pin



K (x8)
mattress support bolt

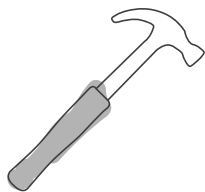


L (x8)
5/16" locking washer

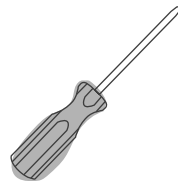


M (x8)
5/16" flat washer

WHAT YOU'LL NEED:



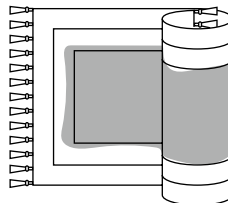
**household hammer or
rubber mallet**



phillips head screwdriver



20 minutes
(or less)

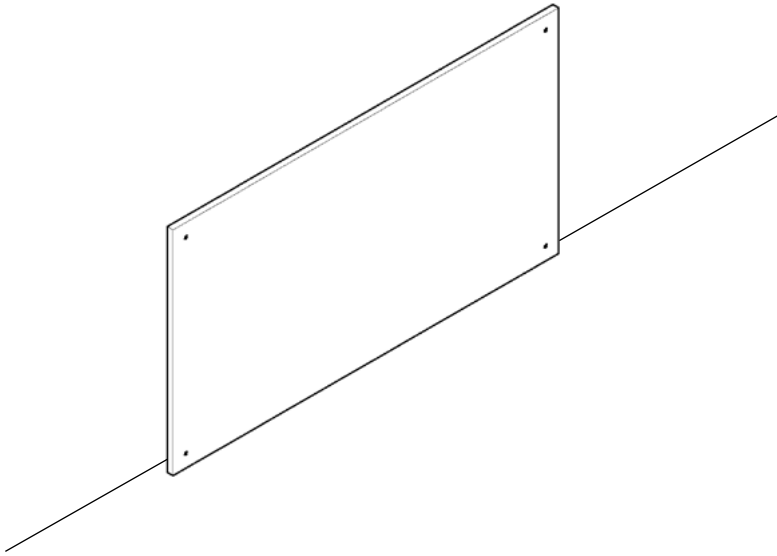


a soft surface to assemble on
*(like a rug or some of the corrugate
box your piece arrived in)*

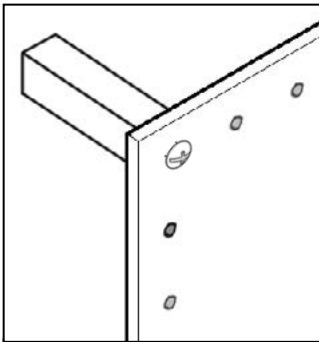


2 people
plus a dog for moral support
(unless you're a cat person)

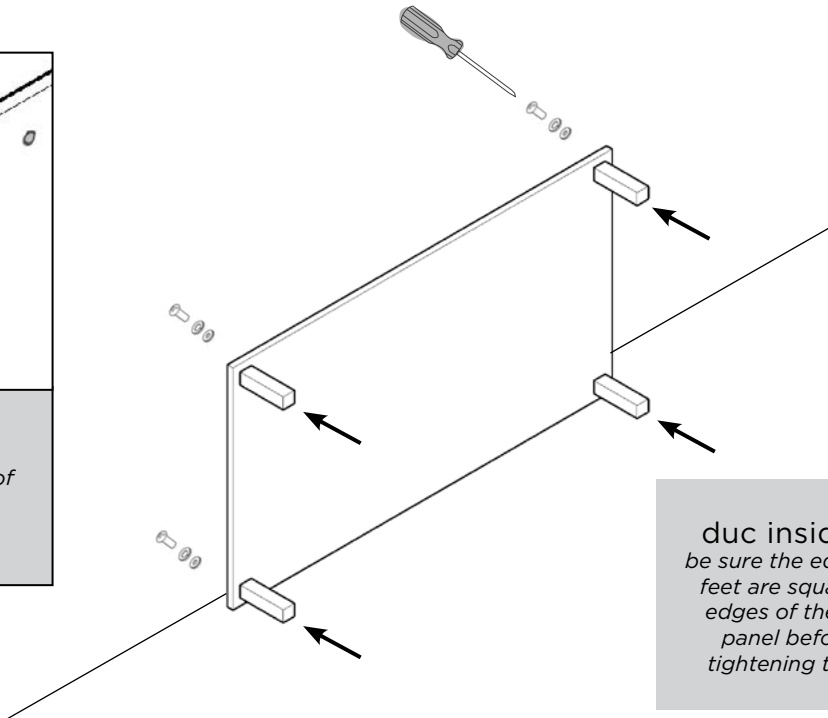
1 lean bottom panel (B) against a wall as shown.



2 insert the threaded bolt on one foot (F) into one hole on bottom panel (B). from the opposite side, place one flat washer (M) and one locking washer (L) on top of threaded bolt as shown. then, use a philips head screwdriver and mattress support bolt (K) to secure into place. repeat on remaining feet. once all feet are securely attached, set the assembled crib base aside.



important!
be sure the feet are attached to the side of the bottom panel WITHOUT the connector holes.

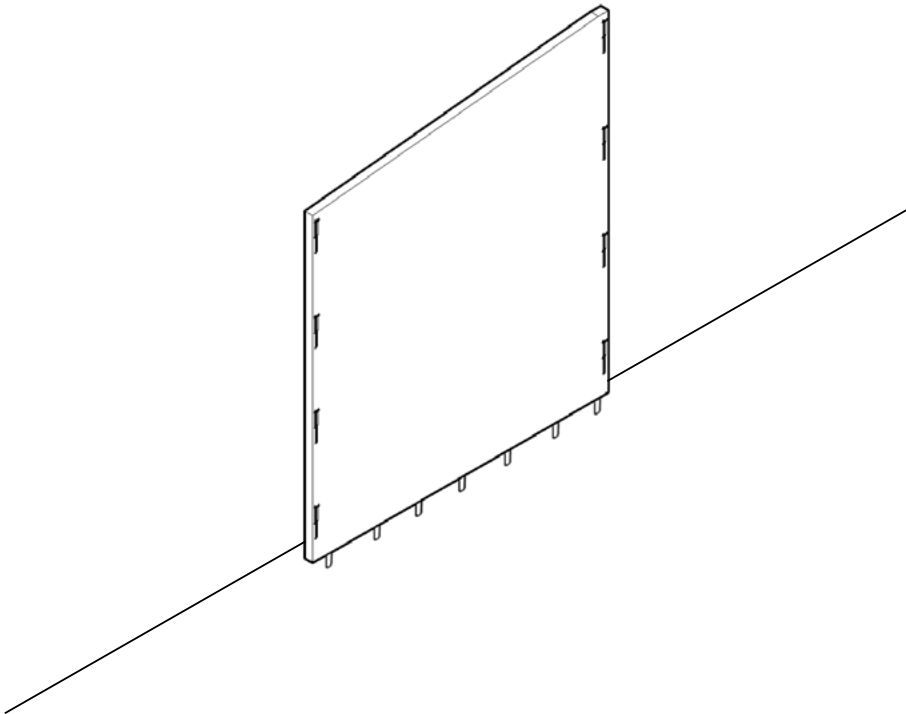


duc insider tip!
be sure the edges of the feet are square to the edges of the bottom panel before fully tightening the bolts.

still confused? scan this code to watch the assembly video! →



3 lean L side panel (A2) against a wall as shown.

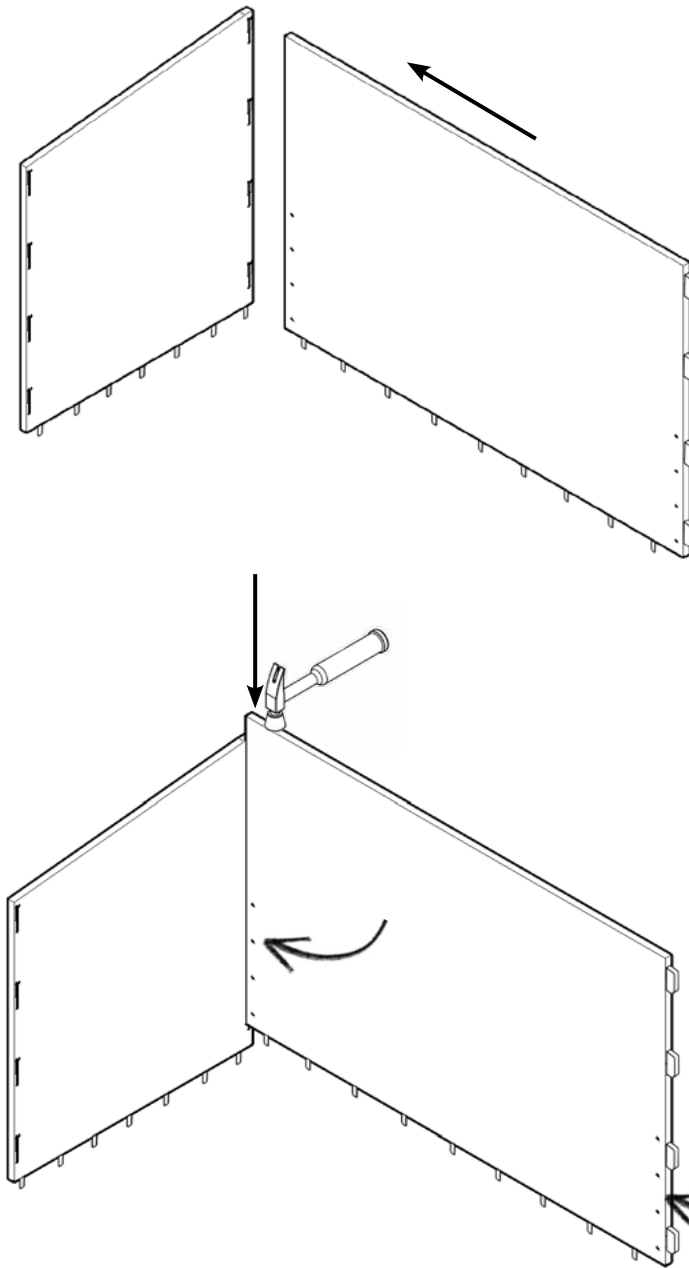


still confused? scan this code to watch the assembly video!



4

apply hammer cap (G) to the head of a household hammer. insert connectors on back panel (D) into slots on L side panel (A2). push down at the connection to lock into place or use hammer with hammer cap (G) if needed.



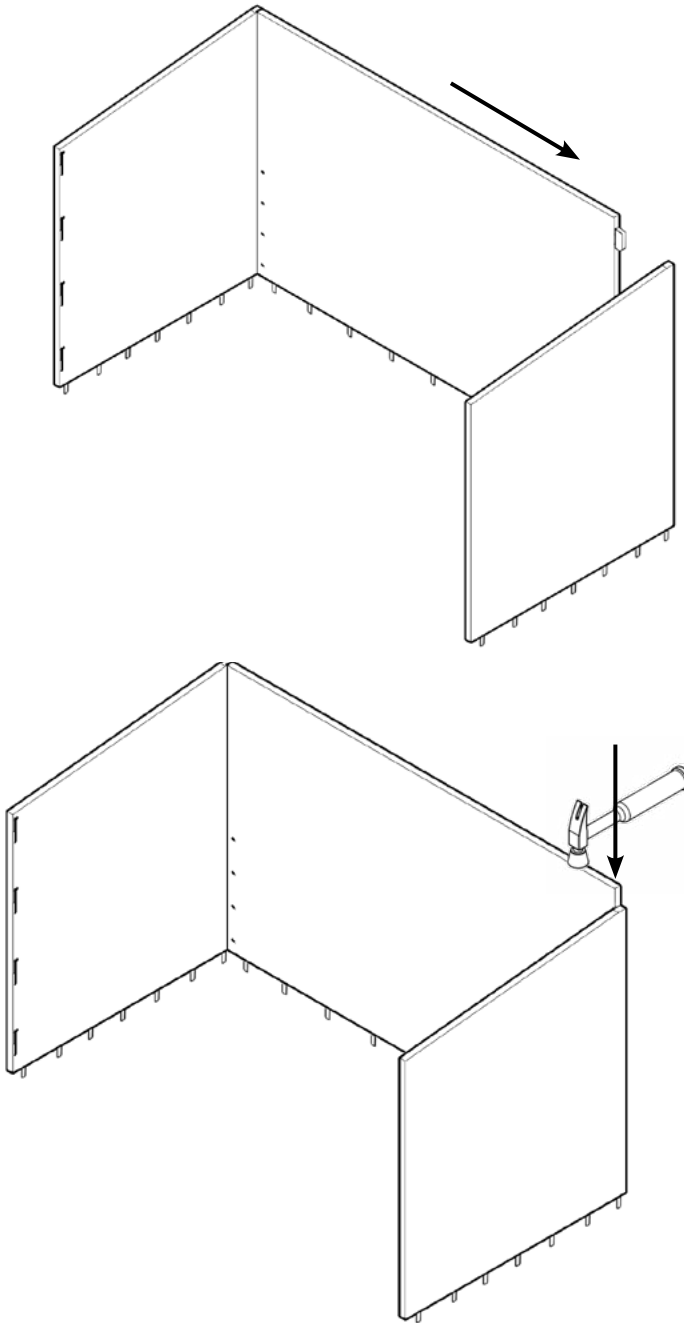
important!
*be sure the
mattress panel
holes are located
at the interior
bottom corners*

still confused? scan this code to watch the assembly video! →



5

insert connectors on back panel (D) into slots on R side panel (A1). push down at the connection to lock into place or use hammer with hammer cap (G) if needed.

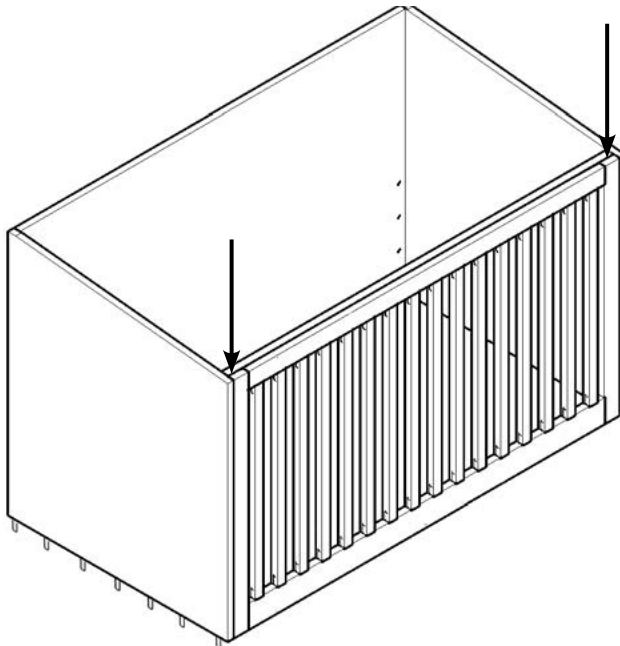
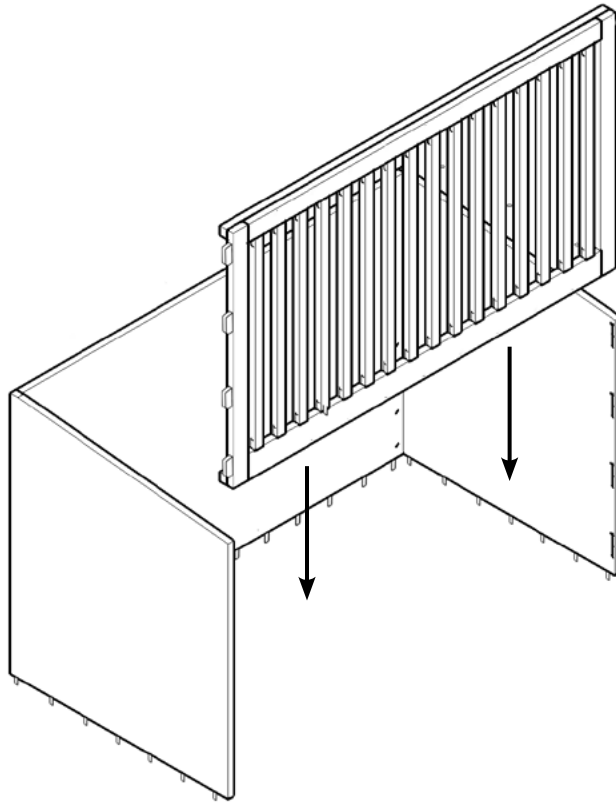


still confused? scan this code to watch the assembly video! →



6

insert connectors on side rail (C) into slots on both side panels (A1 + A2). push down at the connections to lock into place.

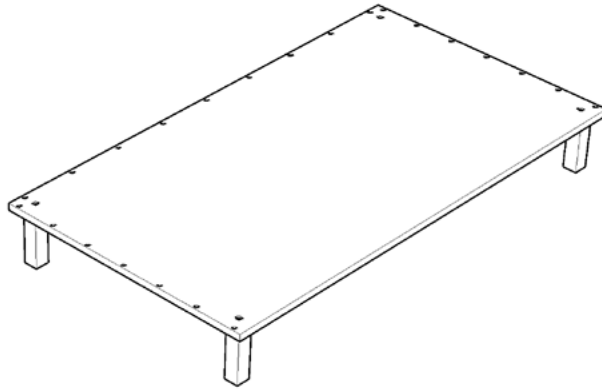


still confused? scan this code to watch the assembly video! →



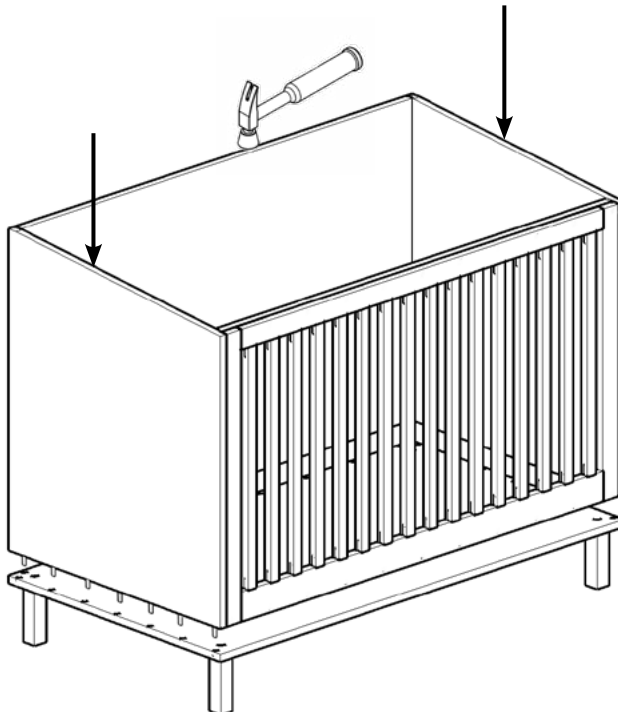
7

set the assembled crib base (B + F) as shown in the area where the crib will remain.



8

with a friend, gently lift the assembled crib upper (A1, A1, C, + D) and set on top of the assembled crib base (B + F) making sure the connectors line up with the holes. once everything is aligned, use hammer with hammer cap (G) to tap until secure.



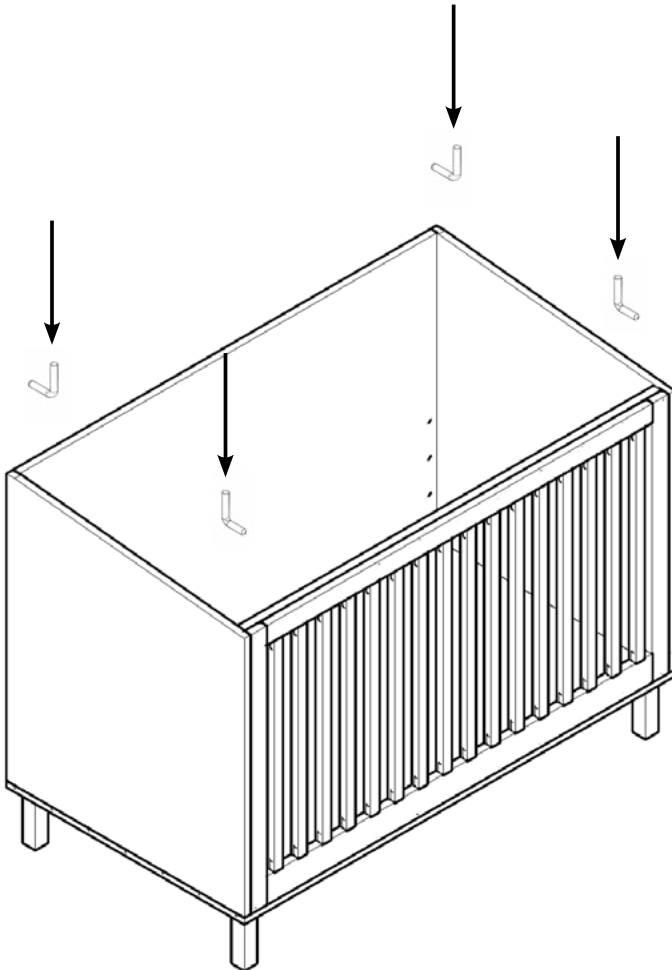
still confused? scan this code to watch the assembly video! →



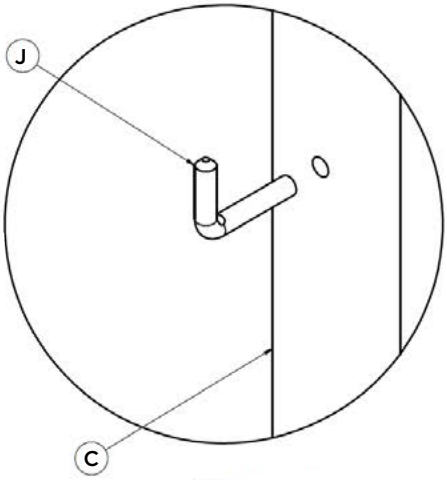
9 **these are also the instructions to follow for mattress panel adjustment**

the mattress height should be lowered as your baby grows to ensure that he/she does not climb out of the crib. when child is able to pull to standing position, set mattress to lowest position and remove bumper pads, large toys and other objects that could serve as steps for climbing out. regularly assess your baby's abilities and make adjustments accordingly.

insert 4 mattress support pins (J) into holes on back panel (D) and side rail (C) as shown. make sure all mattress support pins (J) are located at the same height at all 4 corners.



duc insider tip!
if you're setting up the crib for a newborn, start with the mattress panel in the highest position (hardware in the top most holes).

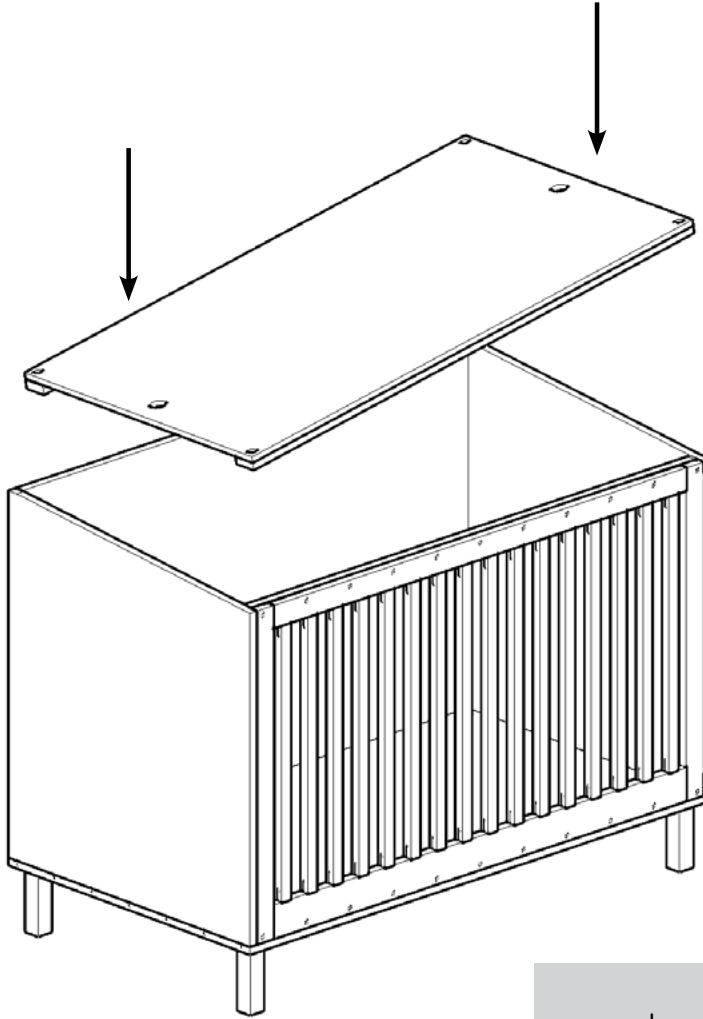


still confused? scan this code to watch the assembly video! →



10

place mattress panel (E) into the assembled crib so each mattress support pin (J) is inserted into a hole.

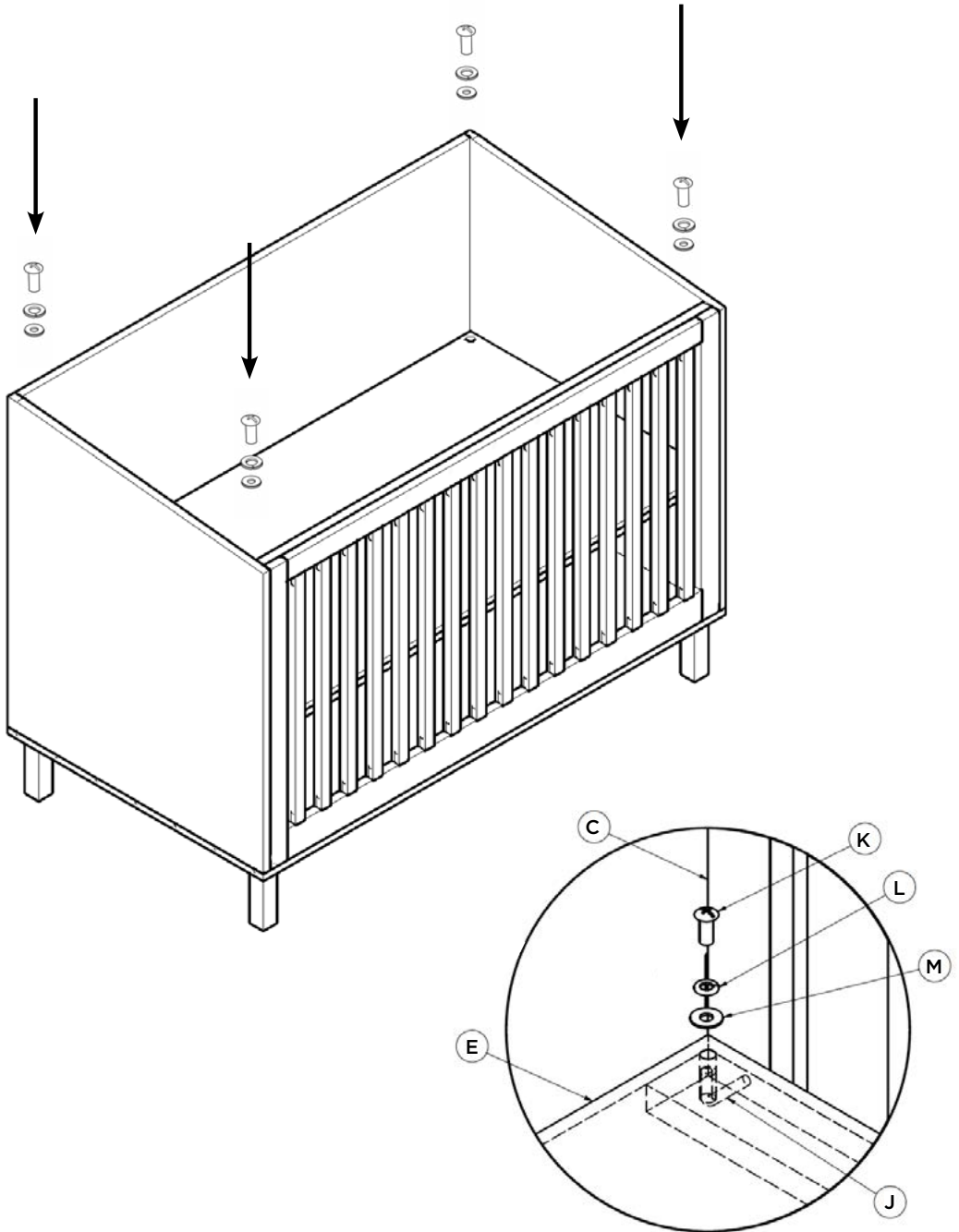


duc insider tip!
*tilt mattress panel down as
shown when placing
inside the crib for an easy
and smooth transition.*

still confused? scan this code to watch the assembly video! →



11 place flat washer (M) and locking washer (L) on top of mattress support pin (J) as shown. then, use a philips head screwdriver and mattress support bolt (K) to secure into place. repeat on all 4 sides.

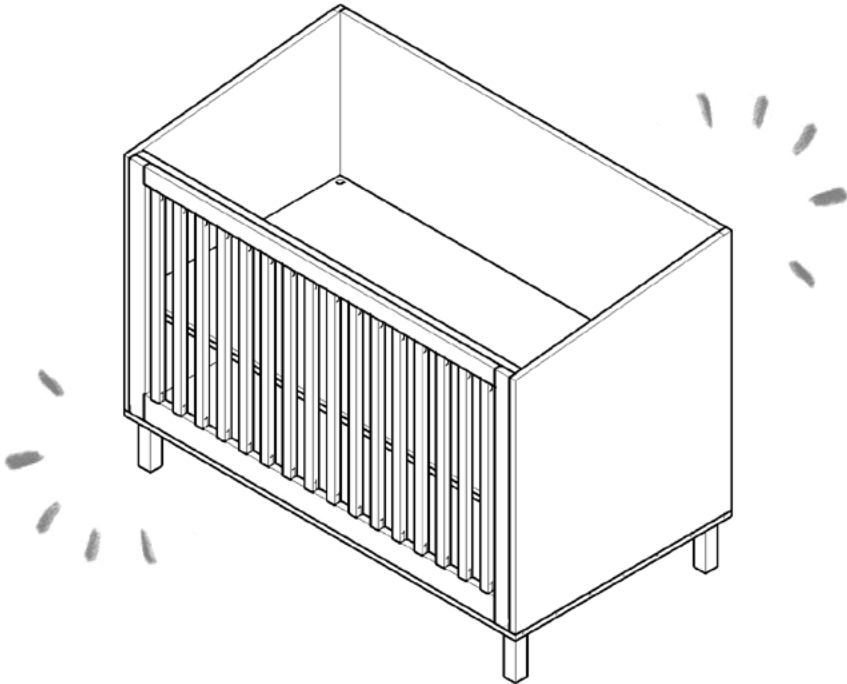


still confused? scan this code to watch the assembly video! →



yippee! you did it!

give yourself a pat on the back, take a bow,
or go house a pint of ice cream...we don't judge.



prefer to talk to a human instead? we're here for you!

contact our customer advocate team below:



212.226.1868



quack@ducducnyc.com



live chat at
ducducnyc.com



200 lexington, no. 1201
ny, ny 10016