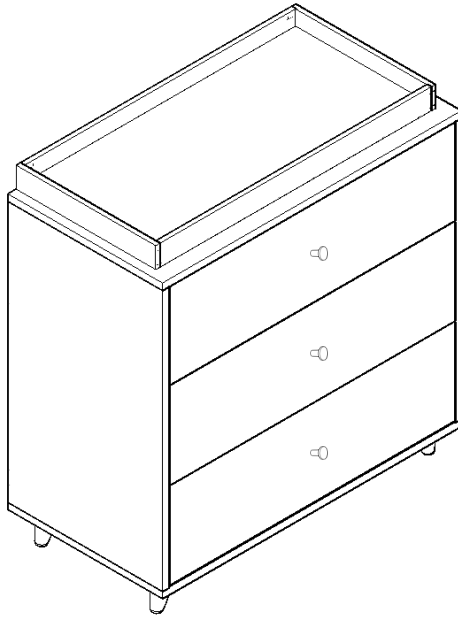


ASSEMBLY INSTRUCTIONS

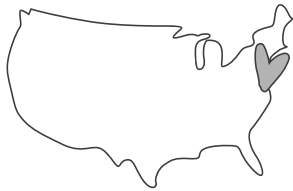
knox 3 drawer dresser/changer

a how-to guide that won't leave you in tears



parenting is hard.
this is easy.

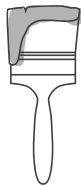
no really, it is.



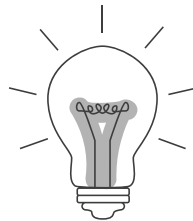
MADE HERE™



MADE WELL™



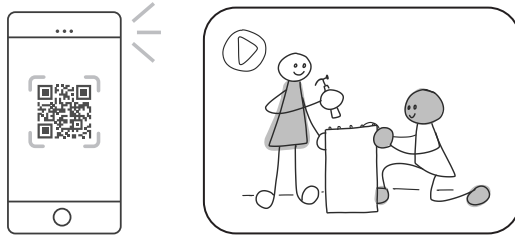
MADE SAFE



MADE SMART

want to watch this assembly IRL?

(acronym challenged? that means “in real life”.)



open the camera on your phone and place it over the QR code below to see our NYC studio dream team do all the heavy lifting (just kidding, there is none!)



or go to ducducnyc.com/pages/assembly-instructions

**thank you for selecting a
studio duc product!**

Please check contents against the components list in these instructions. Also, please ensure there was no damage that may have occurred in shipping. If any components are missing or you find any damage, please contact ducduc before continuing.

To use the dresser as a changing table, insert and use the changing table tray provided with the dresser.

We recommend the use of a Colgate 3-Sided contour Pad (CR300-S80) if this dresser is to be used as a changing table.

Maximum changing pad dimensions: W16" x L33" x H5".

Pay close attention to the safety warnings in these instructions and on dresser/changer labels.

The maximum weight of any child on top of the dresser/changer is 45 pounds.

WARNING

FALL HAZARD: Children have suffered serious injuries after falling from changing tables. Falls can happen quickly.

- **STAY** in arm's reach of your child.
- **ALWAYS** secure this unit to support surface using the mounting hardware provided. see instructions.

Read all the instructions before use.

Do not use if dresser/changer is damaged or broken.

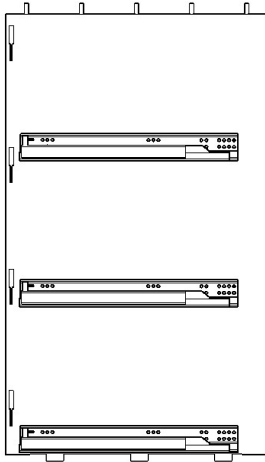
CARE AND CLEANING:

Do not scratch or chip the finish. Do not use abrasive chemicals for cleaning. Clean with mild soap on a soft rag. Rinse and dry thoroughly. If you ever re-finish this furniture, be sure to use only a non-toxic finish.

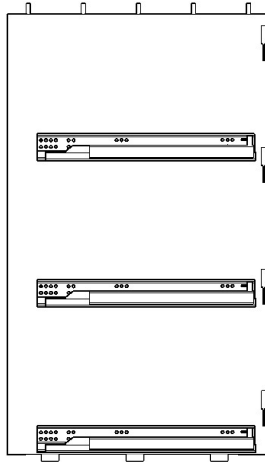
Do not attempt to move this dresser/changer alone—dragging or sliding it across a floor may cause structural damage. A minimum of two people is required to safely lift and reposition the dresser/changer.

KEEP INSTRUCTIONS FOR FUTURE USE

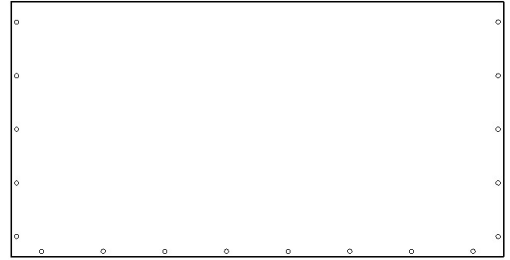
WHAT'S IN THE BOX:



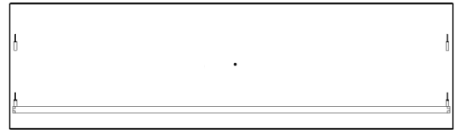
A1
R side panel



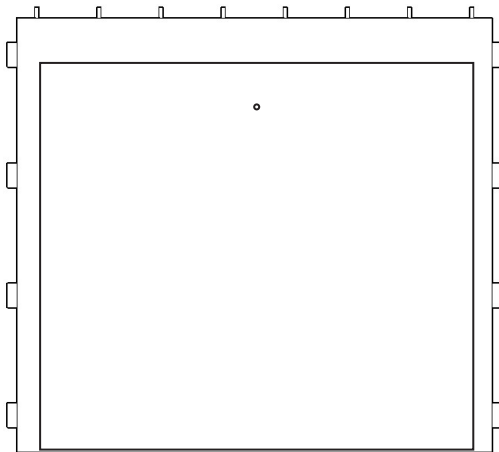
A2
L side panel



E
top



DB1 (x3)
drawer face



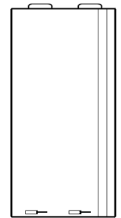
B
back panel



DB2 (x3)
drawer box back



DB3 (x3)
L drawer box side



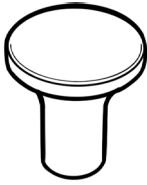
DB4 (x3)
R drawer box side



C
bottom



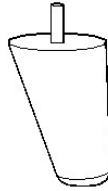
DB5 (x3)
drawer box bottom



DB6
knox pull hardware



DB7 (x3)
screw for knox pull



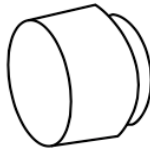
F (x4)
foot



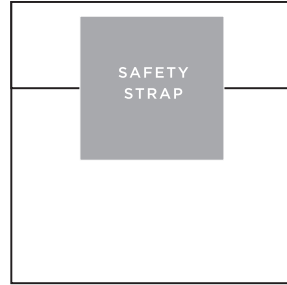
G (x4)
washer



H (x4)
5/16" locking
washer



I
hammer cap

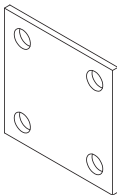


J
safety strap kit
(with hardware)

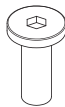
INCLUDED WITH CHANGER ONLY:



CT-1
changing tray



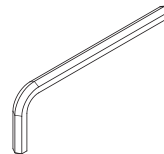
CT-2 (x2)
tray bracket



CT-3 (x8)
JCB bolt (20mm)



CT-4 (x8)
5/16" locking
washer

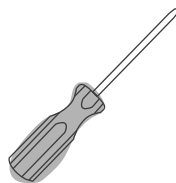


CT-5
allen key (4mm)

WHAT YOU'LL NEED:



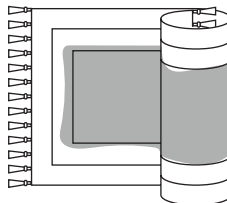
**household hammer or
rubber mallet**



**phillips head screwdriver
and/or drill with 6mm bit**



20 minutes
(or less)



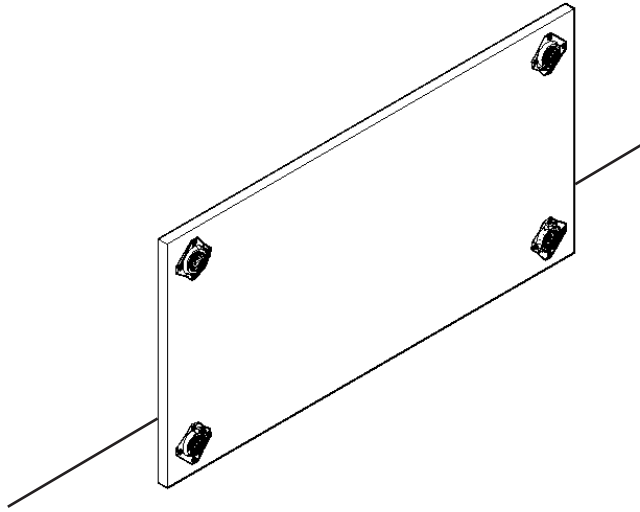
a soft surface to assemble on
*(like a rug or some of the corrugate
box your piece arrived in)*



2 people
plus a dog for moral support
(unless you're a cat person)

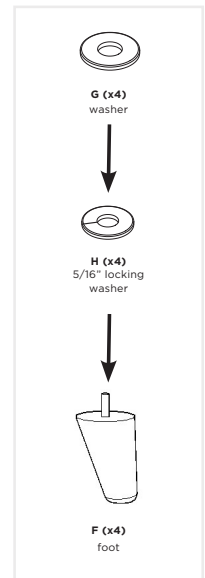
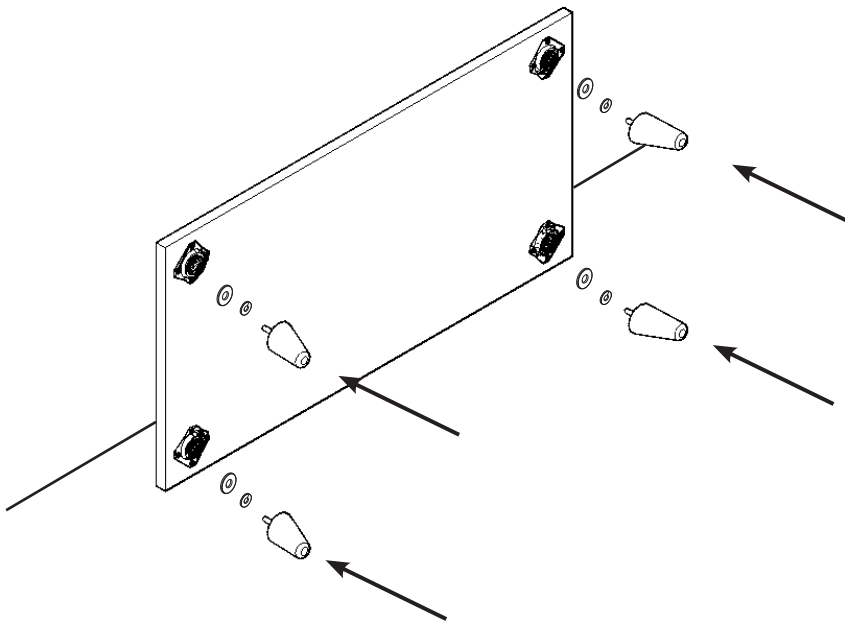
1

lean bottom (C) against a wall as shown.



2

beginning in one corner, take a washer (G), locking washer (H) and foot (F) as seen below, and insert the bolt located on foot (F) into the brackets on bottom panel (C). Twist until the foot is fully secure, and repeat for all feet (F) provided. when you are done, place bottom panel (C) aside for later.

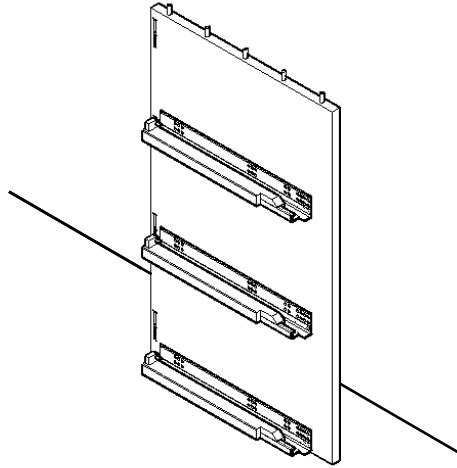


still confused? scan this code to watch the assembly video! →



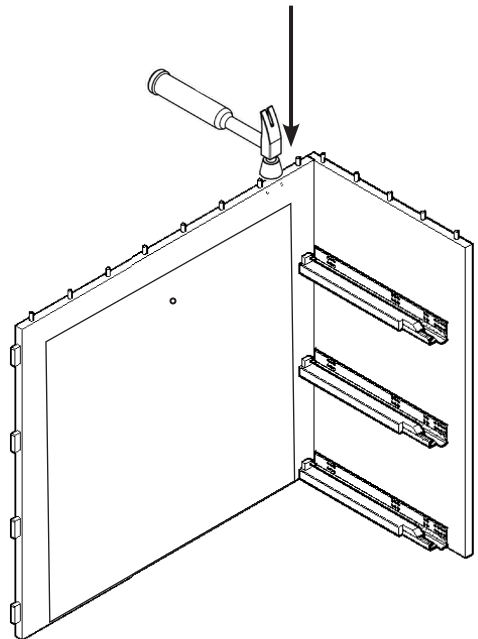
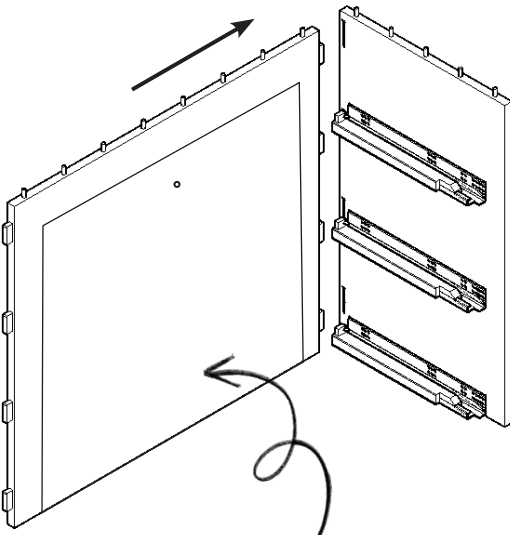
3

lean R side panel (A1) against a wall as shown.



4

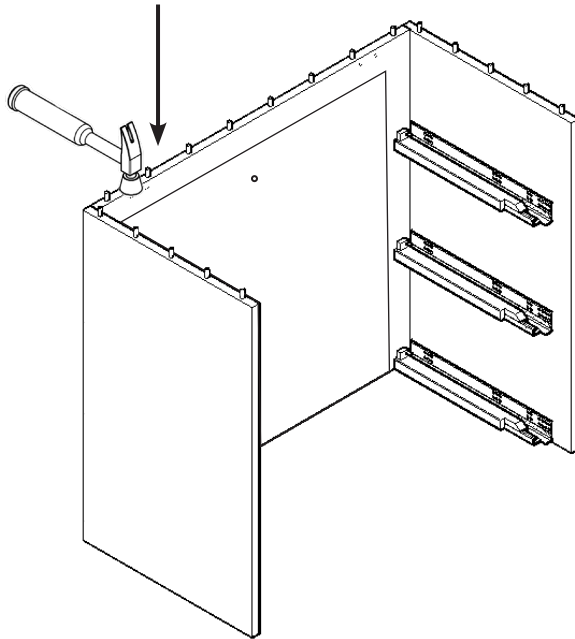
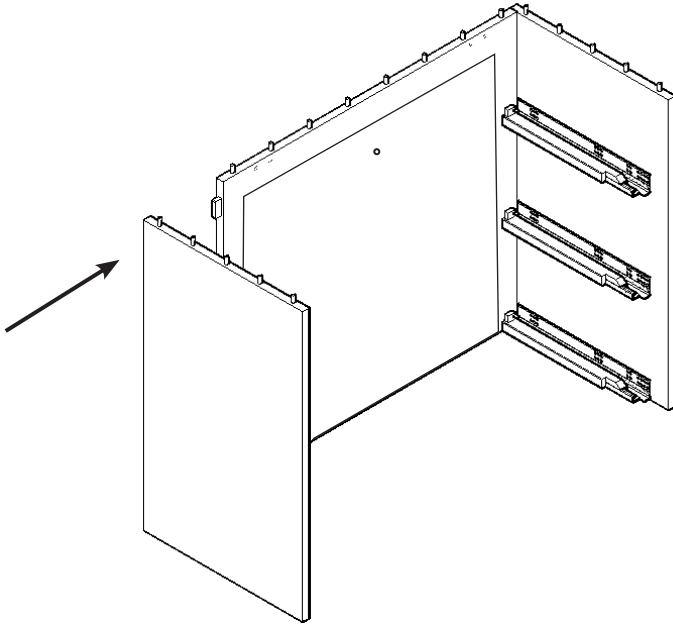
insert connectors on back panel (B) into slots on R side panel (A1). push down at the connection to lock into place. if needed, use hammer with hammer cap (I) to tap until secure.



important!
confirm counterweight panel is secured to back panel. if it loosened during shipping, stop assembly and contact customer service

5

insert connectors on back panel (B) into slots on remaining L side panel (A2). push down or tap with hammer + hammer cap (I) at the connection to lock into place.

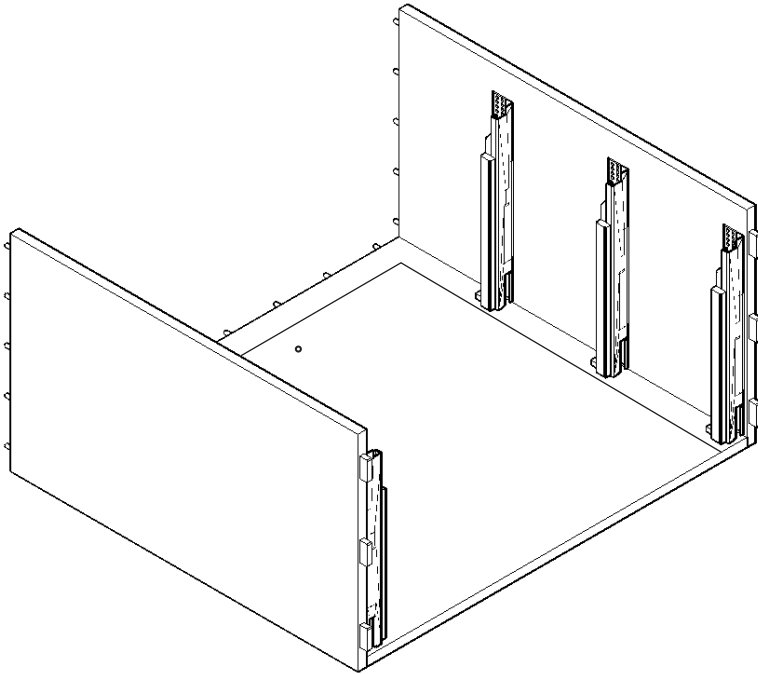


still confused? scan this code to watch the assembly video! →



6

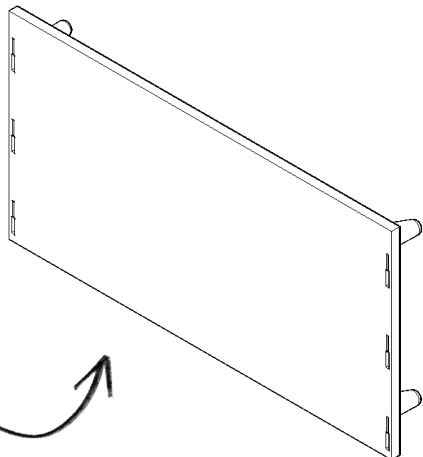
gently lay the partially assembled case on its back.



wait!

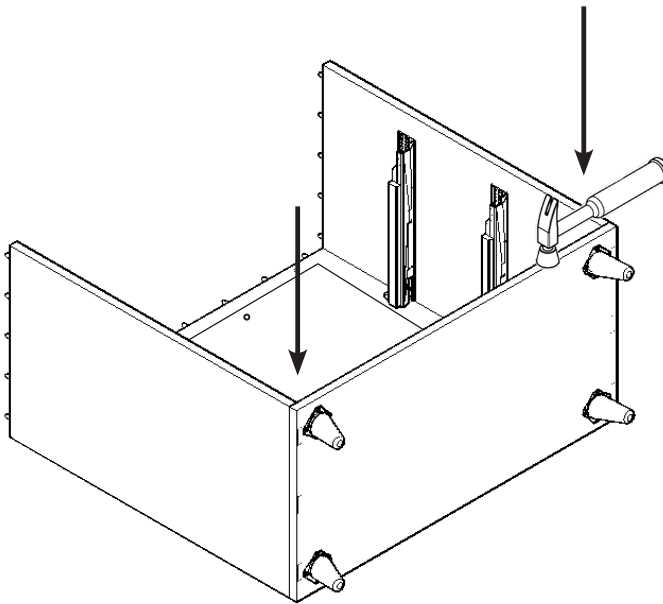
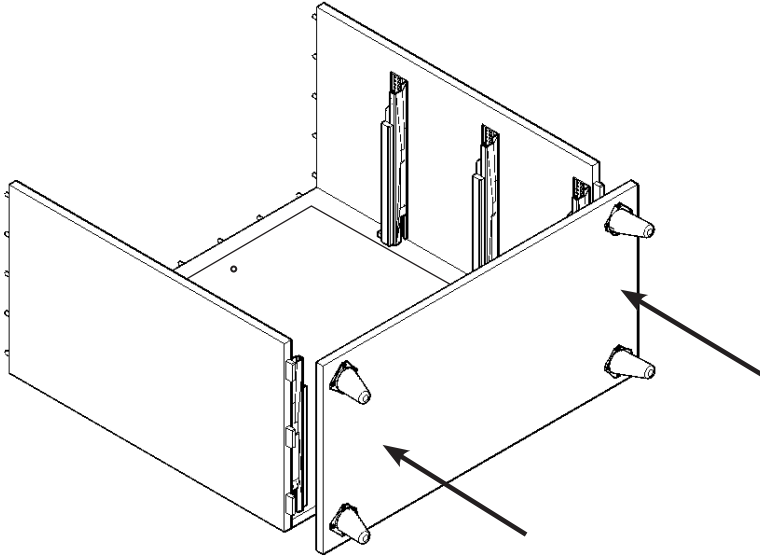
locate bottom panel (C) with attached feet (F) before moving on to the next step.


important!
*follow stickers on
bottom panel (C) to
install panel in the
correct orientation.*



7

insert connectors on both side panels (A1 + A2) into slots on bottom panel (C). push down or tap with hammer and hammer cap (I) to lock into place.

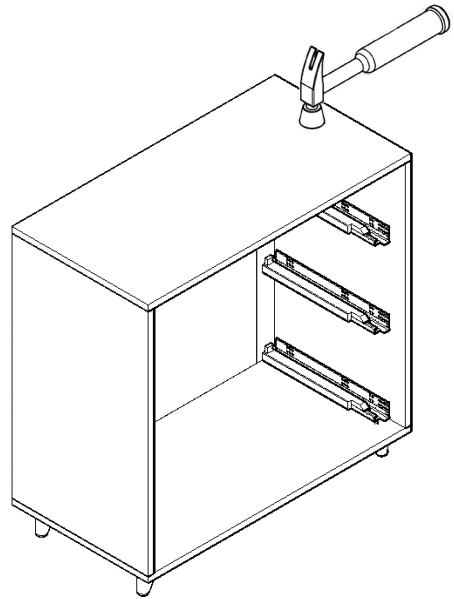
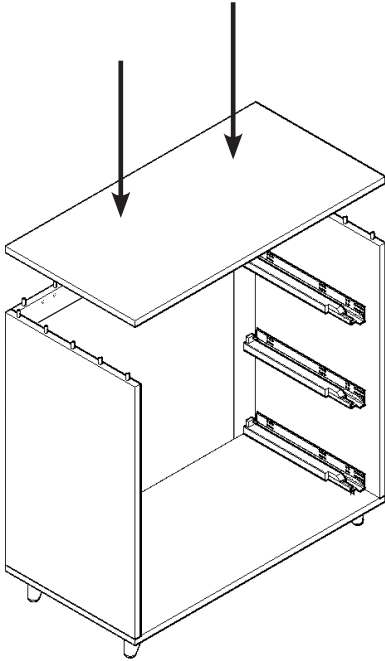


still confused? scan this code to watch the assembly video! 



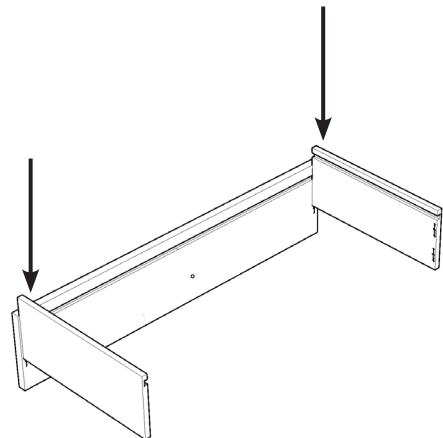
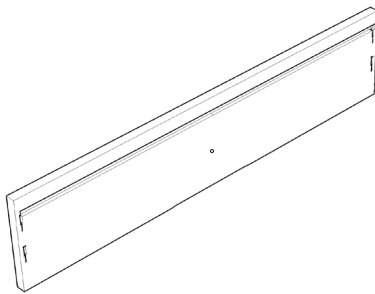
8

with a friend, flip partially assembled case into upright position. line up holes of top (E) with the connectors of side panels (A1 + A2) and back panel (B). tap with hammer and hammer cap (I) to lock into place.



9a

now we build the drawers! starting with drawer face (DB1) facing down, insert connectors of both drawer box side panels (DB3 + DB4) into slots on drawer face (DB1). push down at the connections to lock into place.

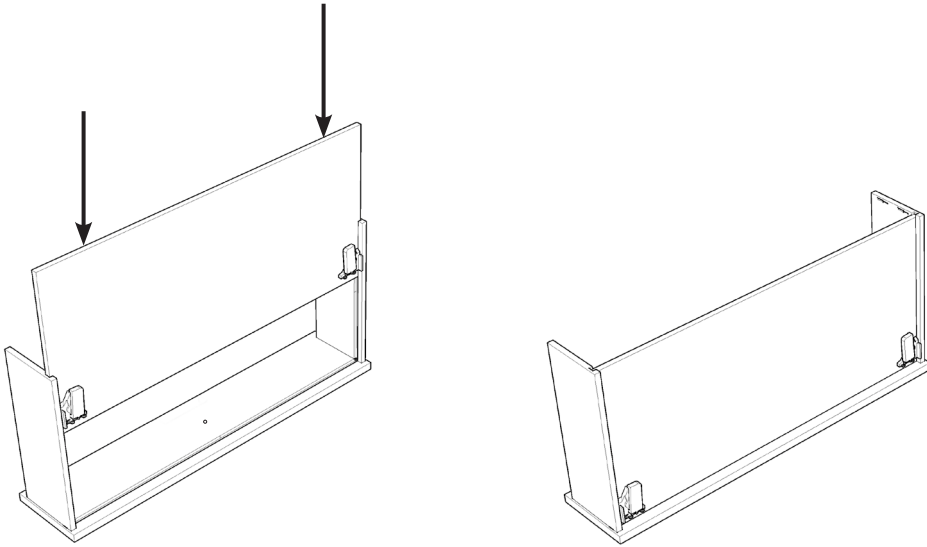


still confused? scan this code to watch the assembly video! →



9b

rotate the partially assembled drawer box as shown. slide drawer box bottom (DB5) into place using grooves on the drawer box side panels (DB3 + DB4) as guides. be sure glide hardware on bottom panel (DB5) is positioned outside the drawer interior and toward the drawer face (DB1) as shown.

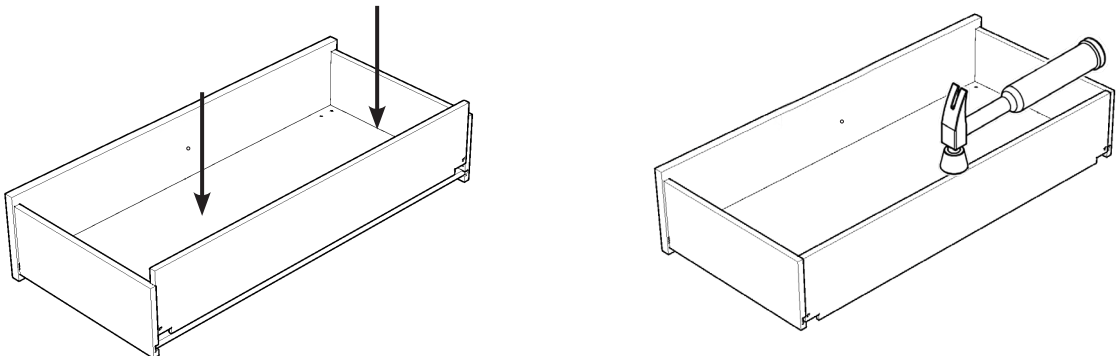


9c

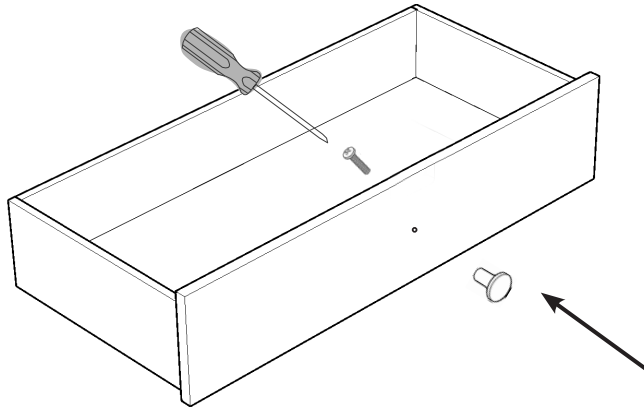
again, rotate partially assembled drawer box as shown. insert connectors of drawer box back (DB2) into slots on drawer box sides (DB3 + DB4). push down at the connections to lock into place. use hammer and hammer cap (I) if needed.

duc insider tip!

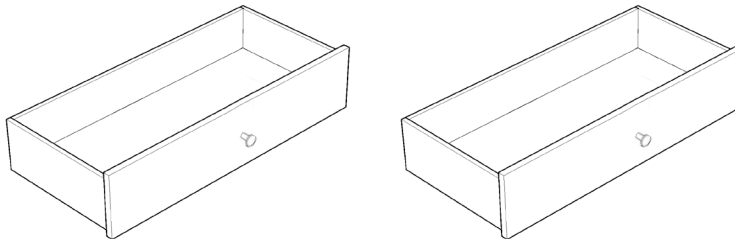
when the drawer bottom panel is properly installed, it should be recessed about a 1/4" from the back of the drawer sides. (don't be afraid to use some force!)



9d using a phillips screwdriver and screws (DB7), attach the pull hardware (DB6) to the front of each drawer face.

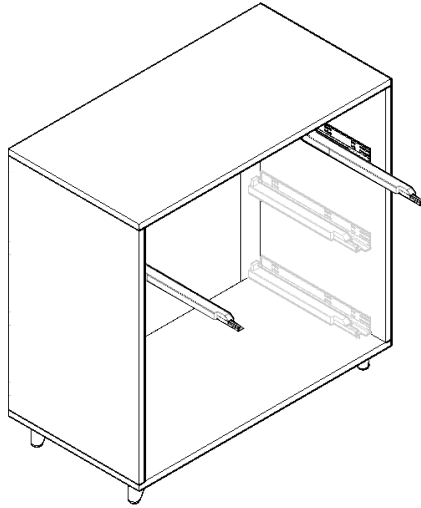


10 build remaining drawers using steps 9a, 9b, 9c, and 9d.



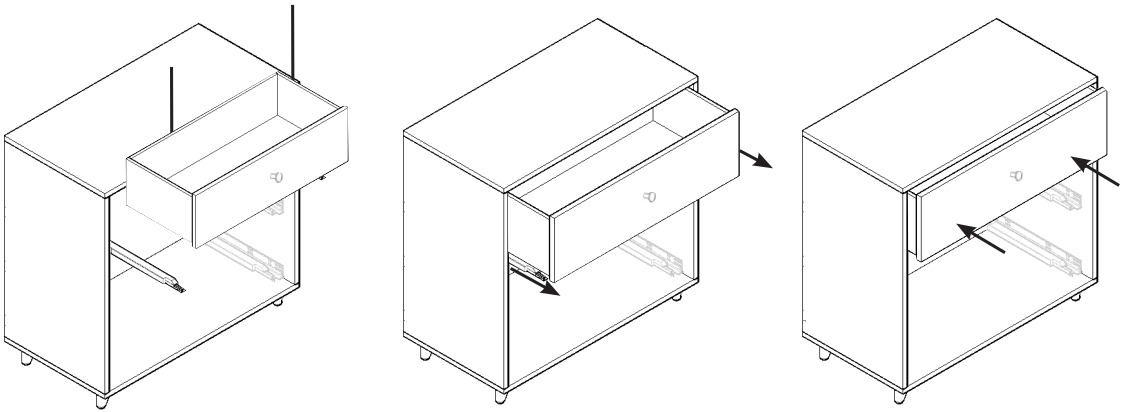
11a

starting at the top, pull drawer glides out to extended position as shown.



11b

place one assembled drawer box onto extended glides as shown. from underside of drawer, use hands to pull each glide forward until it locks into connection with glide hardware attached to drawer box bottom (DB5). the drawer will be secure when you hear a click on each connection. once secured, push drawer box in to close.

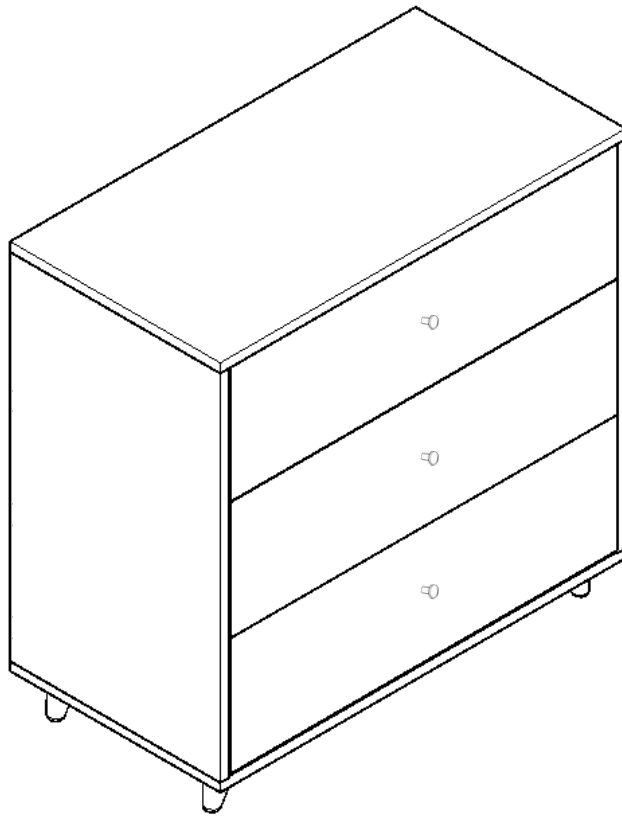


still confused? scan this code to watch the assembly video! →



12

repeat steps 11a + 11b to install the remaining drawers.



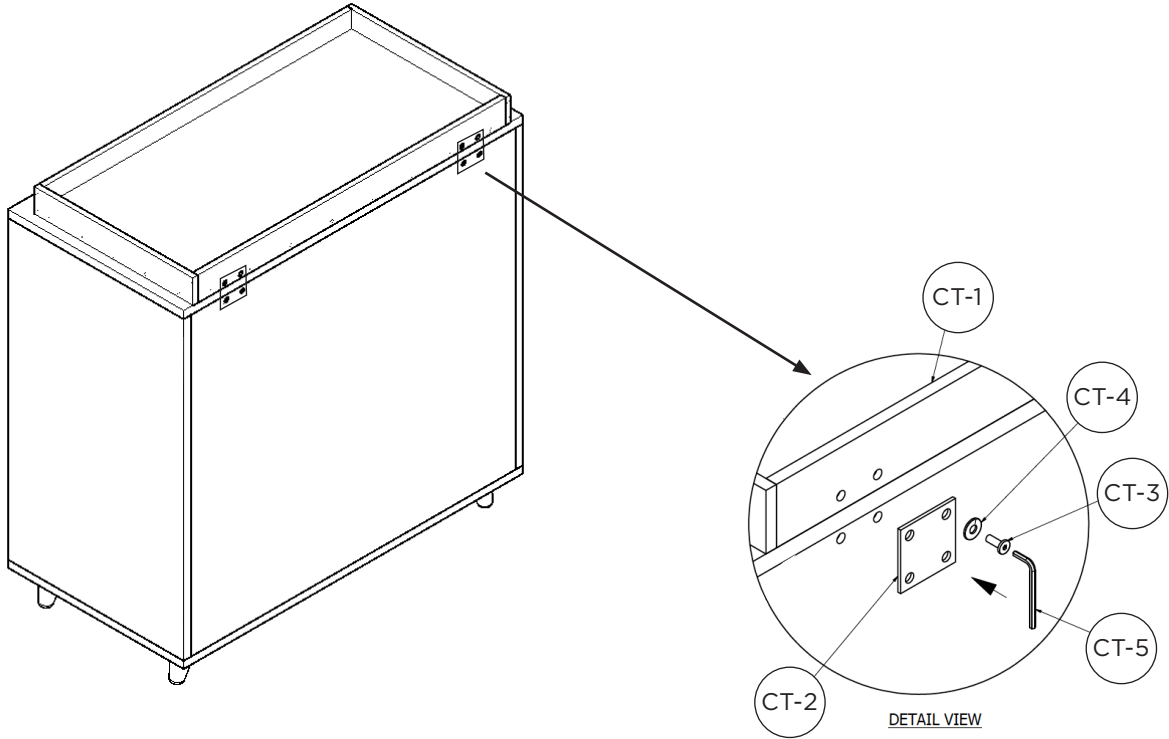


before you move on!

proceed to the next step if you purchased a **changer**.
for a **dresser**, skip to step 14.

13

place changing tray (CT-1) on top of assembled case so the pre-drilled holes at the backs of both pieces align. starting at one side, place hardware (CT-2) over the holes on the case and changing tray (CT-1). secure into place using the allen key (CT-5) to screw in hardware (CT-3 + CT-4) as arranged in the picture.



duc insider tip!

when attaching the changing tray to the dresser, start by loosely screwing in each bolt over the bracket. once everything is lined up and each of the 4 bolts are in place, fully tighten all screws until secure.

repeat on the remaining bracket using the same method.

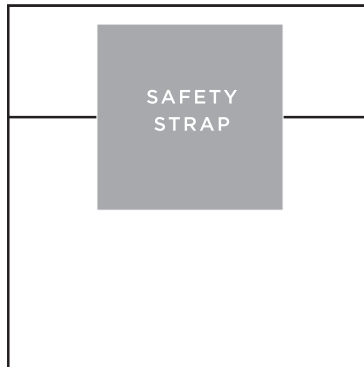
still confused? scan this code to watch the assembly video! →



14

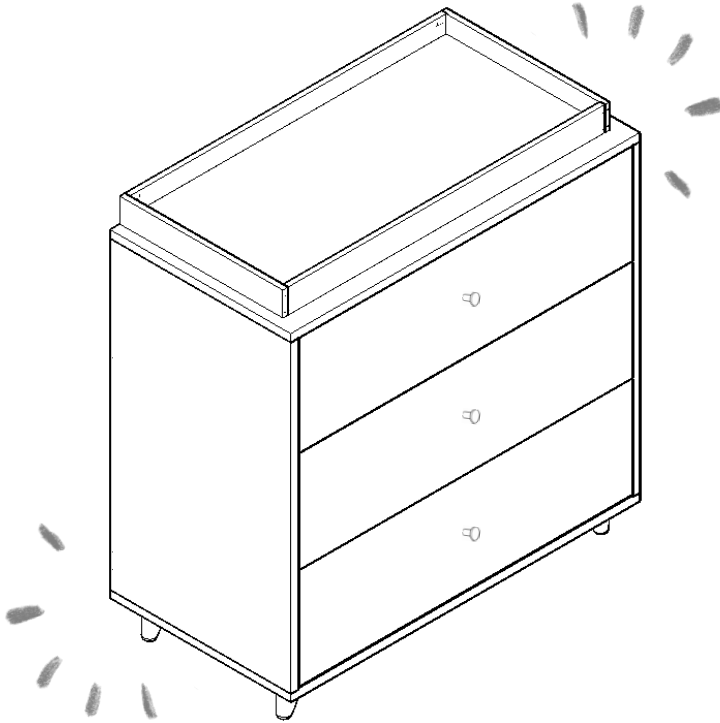
safety strap installation

the last step for your dresser/changer is to install the safety strap included in the box. reference the separate instructions enclosed in the envelope.



yippee! you did it!

give yourself a pat on the back, take a bow,
or go house a pint of ice cream...we don't judge.



prefer to talk to a human instead? we're here for you!

contact our customer advocate team below:



212.226.1868



quack@ducducnyc.com



live chat at
ducducnyc.com



200 lexington ave
ny, ny 10016

