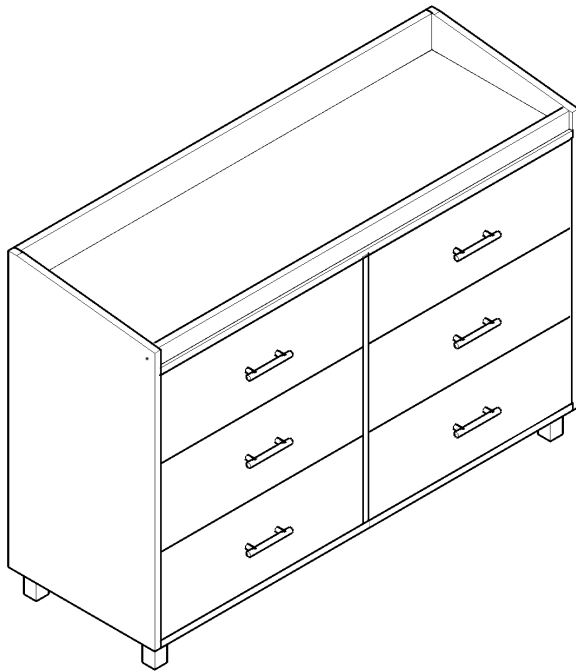


# ASSEMBLY INSTRUCTIONS

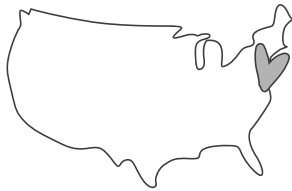
## indi doublewide dresser/changer

a how-to guide that won't leave you in tears



parenting is hard.  
**this is easy.**

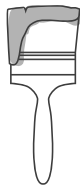
*no really, it is.*



**MADE HERE™**



**MADE WELL™**



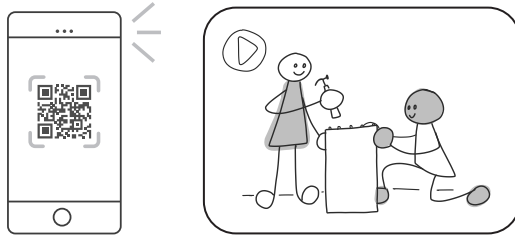
**MADE SAFE**



**MADE SMART**

# want to watch this assembly IRL?

(acronym challenged? that means “in real life”.)



open the camera on your phone and place it over the QR code below to see our NYC studio dream team do all the heavy lifting (just kidding, there is none!)



or go to [ducdcnyc.com/pages/assembly-instructions](http://ducdcnyc.com/pages/assembly-instructions)

**thank you for selecting a  
studio duc product!**

Please check contents against the components list in these instructions. Also, please ensure there was no damage that may have occurred in shipping. If any components are missing or you find any damage, please contact ducduc before continuing.

We recommend the use of a Colgate 3-Sided contour Pad (CR300-S80) if this dresser is to be used as a changing table.

Maximum changing pad dimensions: W16" x L33" x H5".

Pay close attention to the safety warnings in these instructions and on dresser/changer labels.

The maximum weight of any child on top of the dresser/changer is 45 pounds.

## WARNING

**FALL HAZARD:** Children have suffered serious injuries after falling from changing tables. Falls can happen quickly.

- **STAY** in arm's reach of your child.
- **ALWAYS** secure this unit to support surface using the mounting hardware provided. see instructions.

Read all the instructions before use.

Do not use if dresser/changer is damaged or broken.

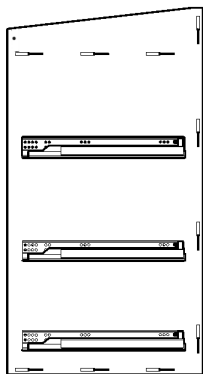
### **CARE AND CLEANING:**

Do not scratch or chip the finish. Do not use abrasive chemicals for cleaning. Clean with mild soap on a soft rag. Rinse and dry thoroughly. If you ever re-finish this furniture, be sure to use only a non-toxic finish.

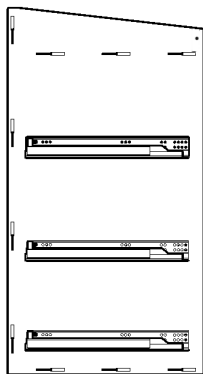
Do not attempt to move this dresser/changer alone—dragging or sliding it across a floor may cause structural damage. A minimum of two people is required to safely lift and reposition the dresser/changer.

**KEEP INSTRUCTIONS FOR FUTURE USE**

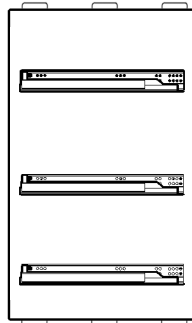
# WHAT'S IN THE BOX:



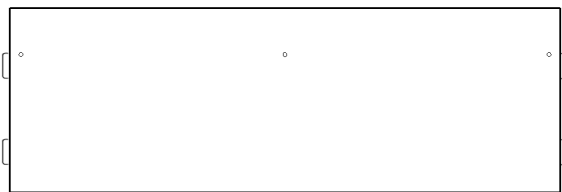
**A1**  
L side panel



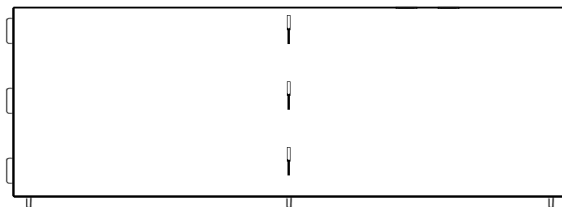
**A2**  
R side panel



**A3**  
center partition



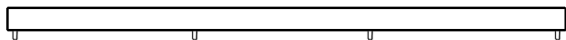
**B1**  
back upper panel



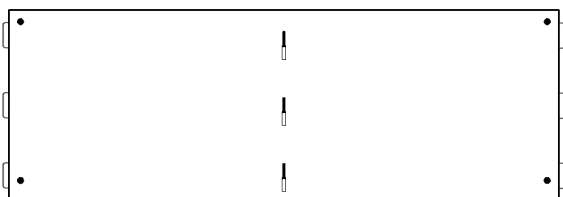
**E**  
top



**B2**  
back lower panel



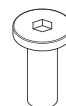
**C**  
tray stretcher



**D**  
bottom



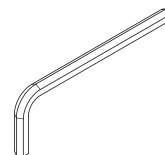
**F (x4)**  
foot



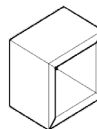
**G (x4)**  
JCB bolt (25mm)



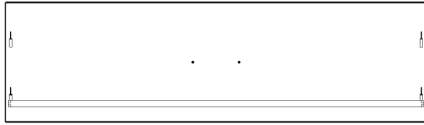
**H**  
hammer cap



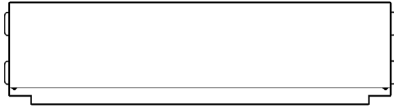
**I**  
allen key (4mm)



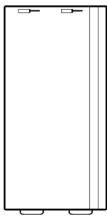
**J**  
block foot



**DB1 (x6)**  
drawer face



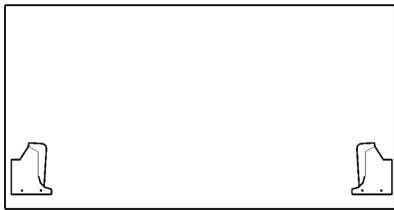
**DB2 (x6)**  
drawer box back



**DB3 (x6)**  
L drawer box side



**DB4 (x6)**  
R drawer box side



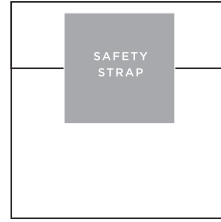
**DB5 (x6)**  
drawer box bottom



**DB6 (x6)**  
indi pull



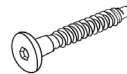
**DB7 (x12)**  
screw for indi pull



**K**  
safety strap kit  
(with hardware)

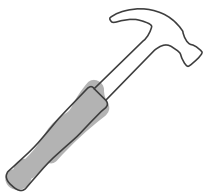


**L**  
allen key (3mm)

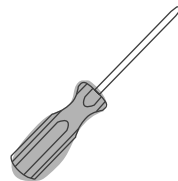


**M (x2)**  
confirmat screw for  
stretcher

## WHAT YOU'LL NEED:



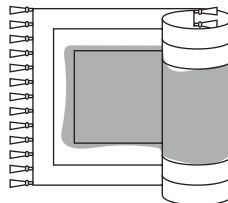
**household hammer or  
rubber mallet**



**phillips head screwdriver**



**20 minutes**  
*(or less)*



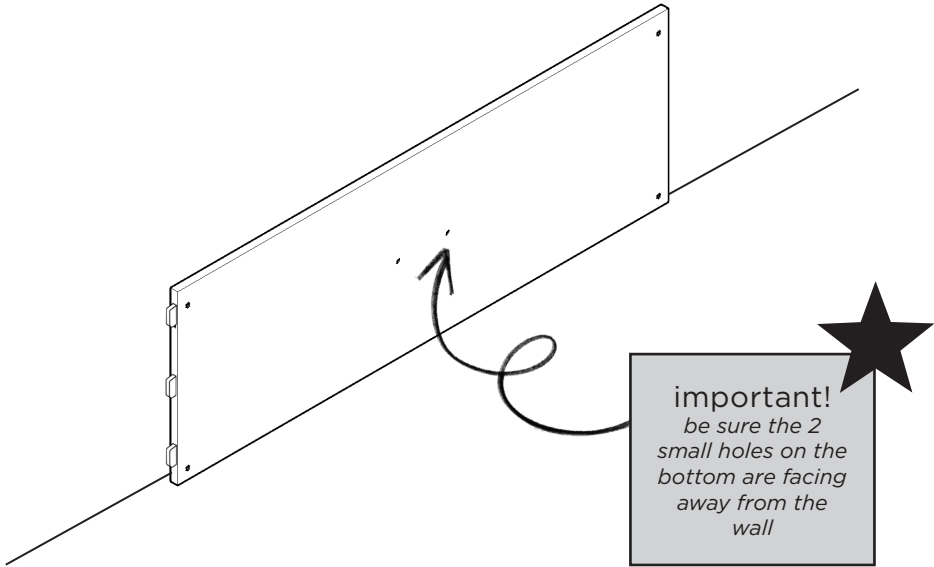
**a soft surface to assemble on**  
*(like a rug or some of the corrugate  
box your piece arrived in)*



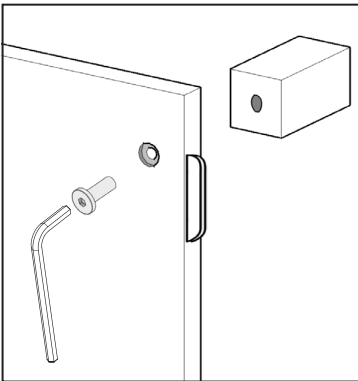
**2 people**  
**plus a dog for moral support**  
*(unless you're a cat person)*



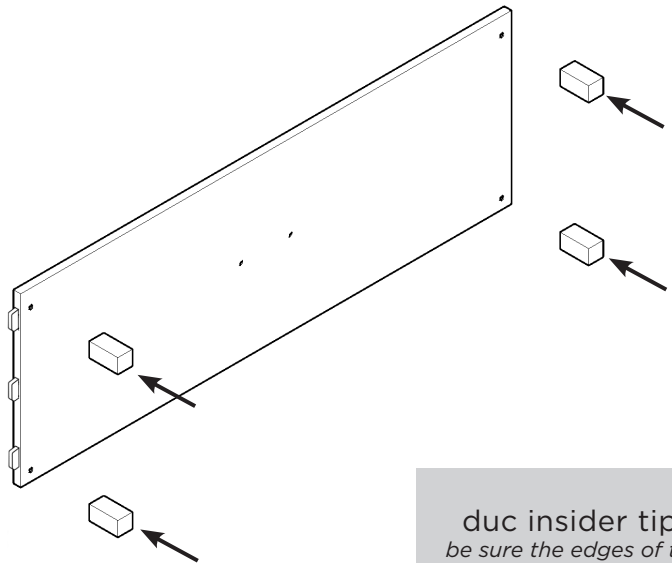
**1** lean bottom (D) against a wall as shown.



**2** using the provided allen key (I) and JCB bolts (G), attach feet (F) to bottom (D).

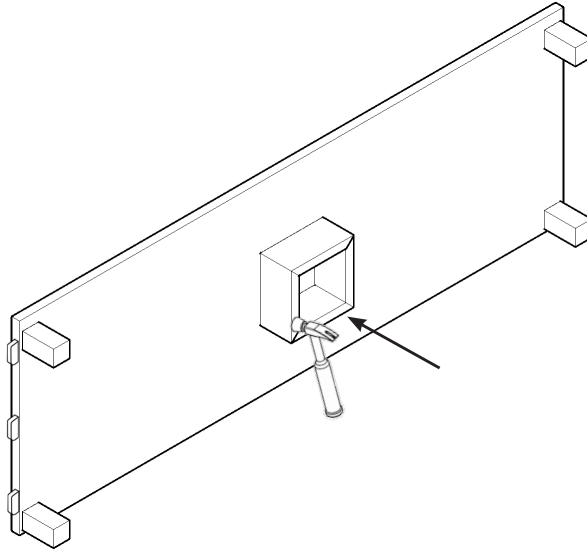


**important!**  
*be sure the JCB bolts are attached to the side of the bottom panel WITH the countersink holes.*

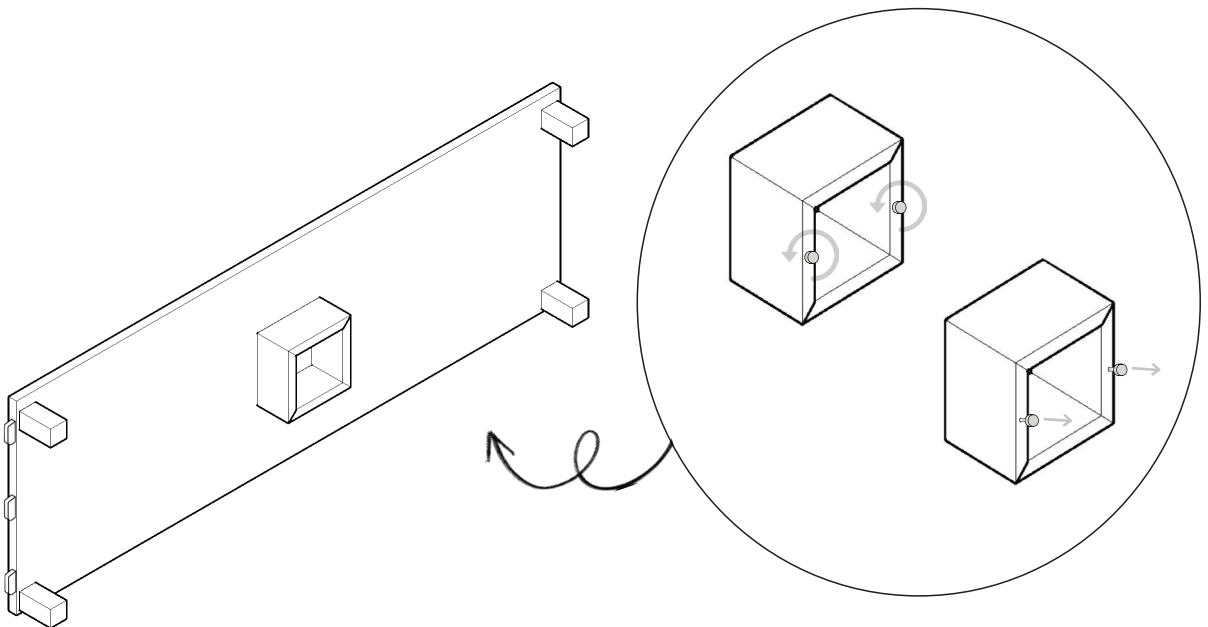


**duc insider tip!**  
*be sure the edges of the feet are square to the edges of the bottom panel before fully tightening the JCB bolts.*

**3a** insert connectors on block foot (J) into holes on bottom (D). tap with hammer and hammer cap (H) to lock into place.

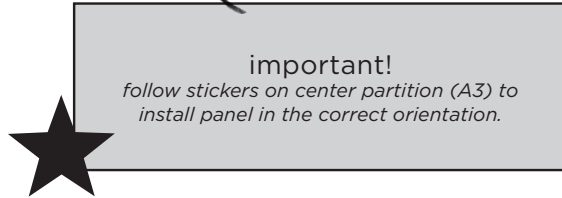
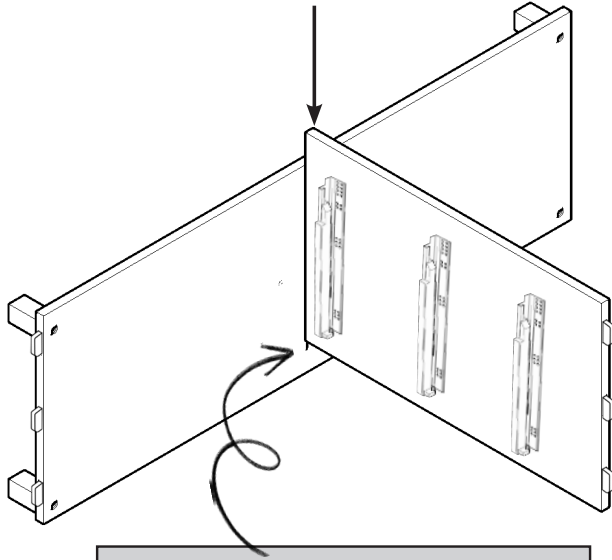
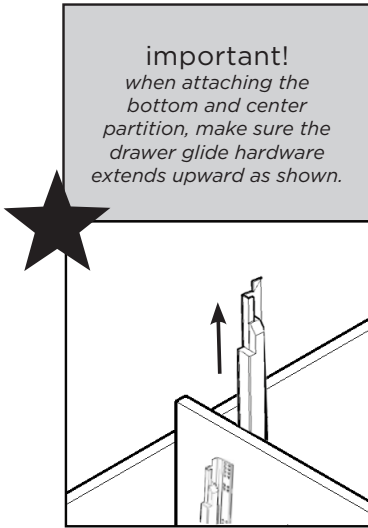


**3b** unscrew the adjustable glides counter-clockwise to the height of the dresser feet to ensure that the block foot stabilizes the dresser and sits level on the floor



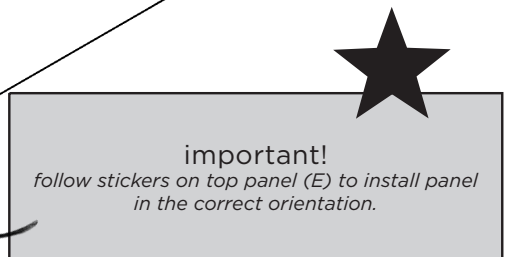
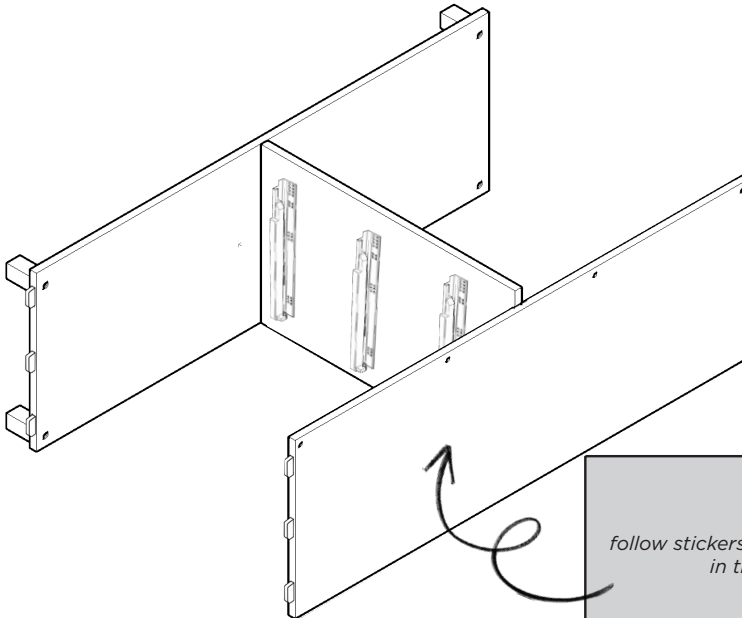
4

flip the assembled base around so the feet are facing the wall. insert connectors on center partition (A3) into slots on bottom (D) and push down to lock into place.



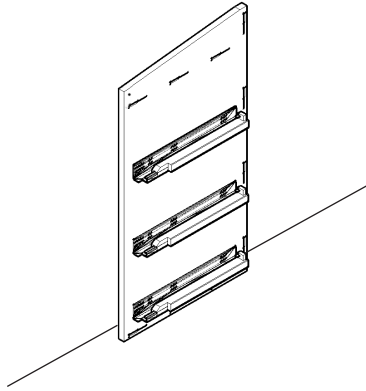
5

insert remaining connectors on center partition (A3) into slots on top (E) and push down at the connection to lock into place. set assembled pieces aside for now.



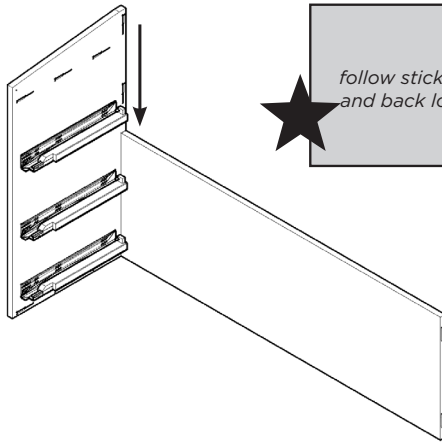
# 6

lean L side panel (A1) against a wall as shown.



# 7a

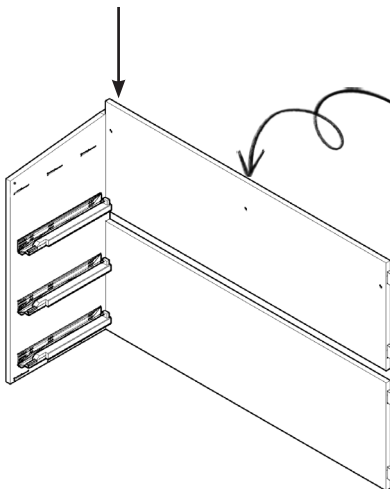
insert connectors on back lower panel (B2) lower 2 slots on L side panel (A1). push down at the connection to lock into place.



**important!**  
*follow stickers on both back upper panel (B1) and back lower panel (B2) to install panels in the correct orientation.*

# 7b

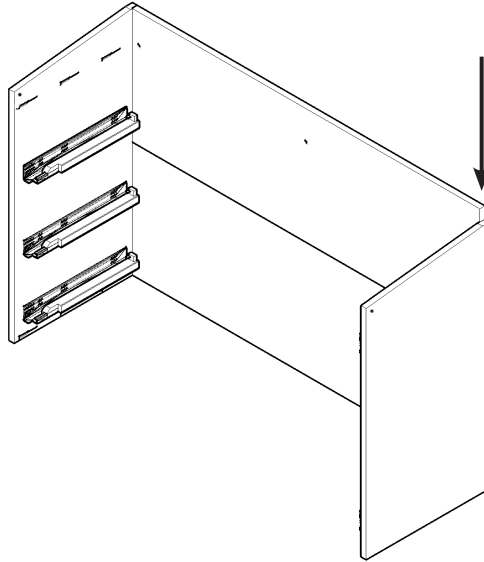
insert connectors on back upper panel (B1) lower 2 slots on L side panel (A1). push down at the connection to lock into place.



**important!**  
*be sure the 3 holes on the back panel are located at the top interior.*

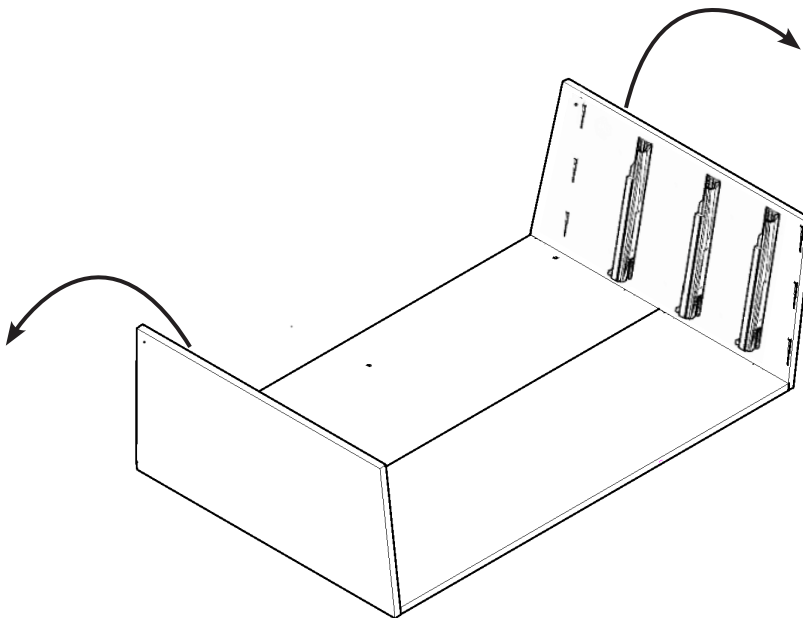
8

insert connectors on both back panels (B1 + B2) into slots on R side panel (A2). push down at the connection to lock into place.



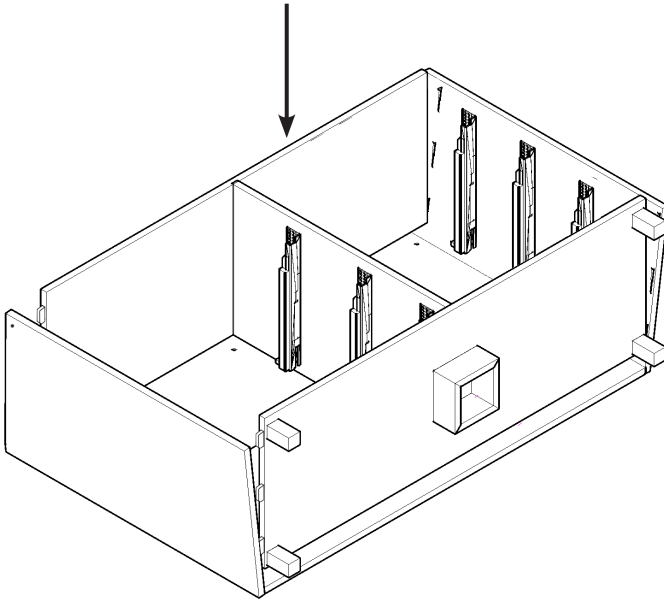
9a

gently lay the partially assembled case on its back and have a friend gently flare the side panels (A1 + A2) outward as shown.

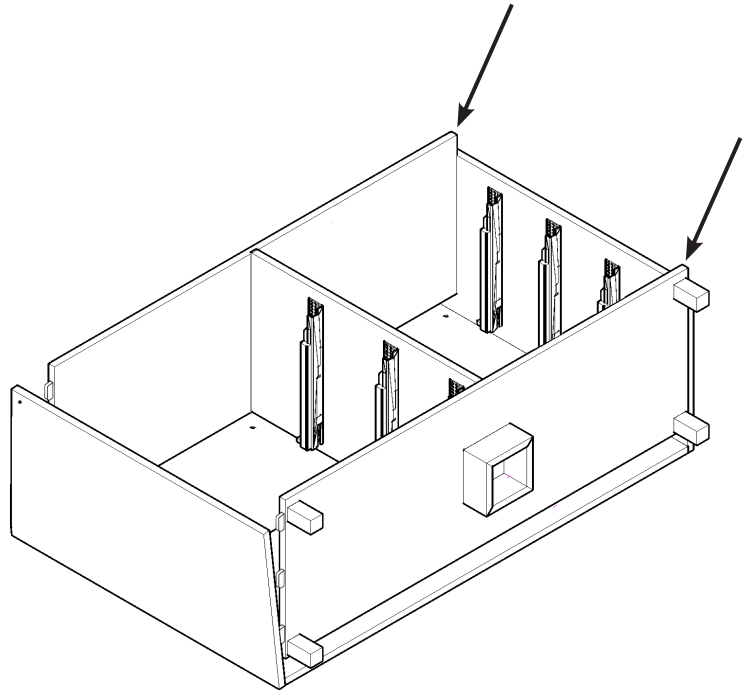


# 9b

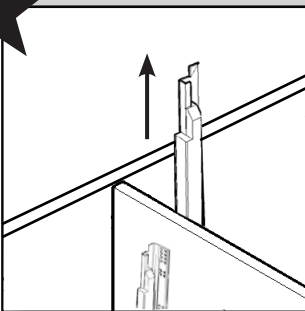
with the side panels flared outward, insert connectors of assembled base (D, F, +J) and top (E) into slots on R side panel (A2).



**important!**  
*follow stickers on components  
A3, E, + D to install panels in the  
correct orientation.*

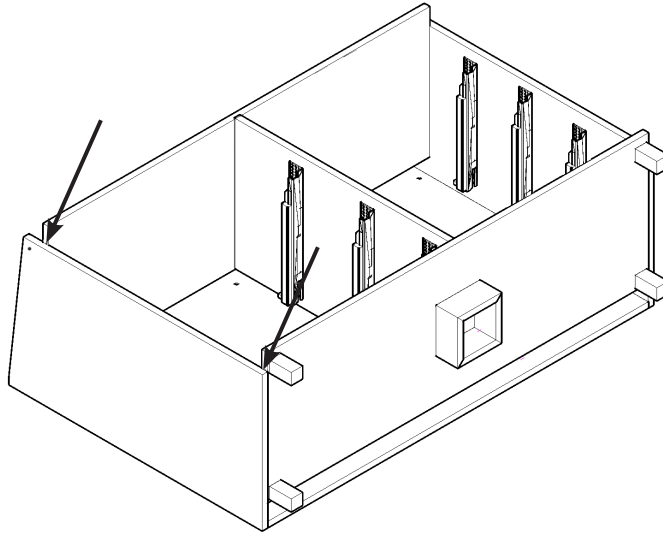


**important!**  
*when attaching these  
components, make sure  
the drawer glide hardware  
on center partition (A3)  
extends upward as shown.*



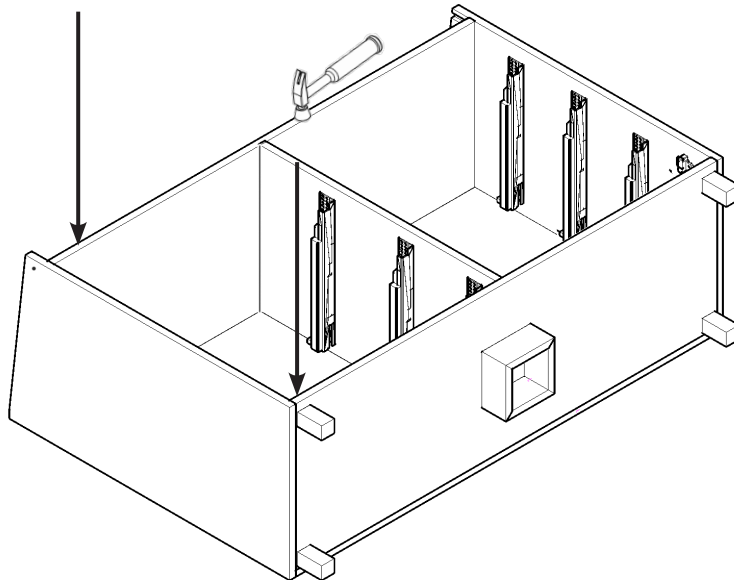
# 9c

insert remaining connectors insert connectors of assembled base (D, F, +J) and top (E) into slots on L side panel (A1).



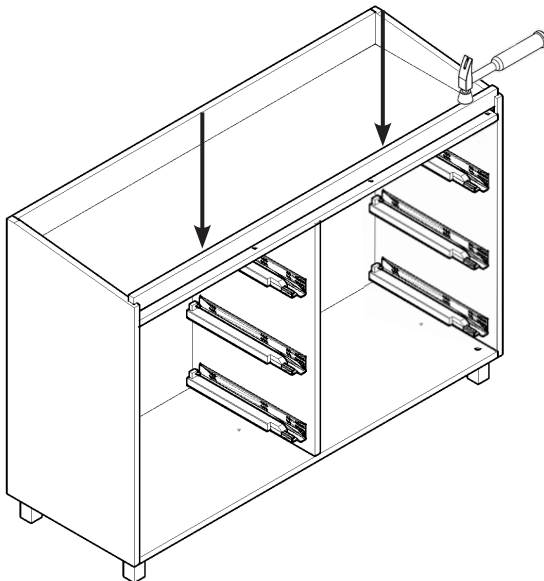
# 9d

once all connectors and slots are lined up and side panels are back to square position, apply hammer cap (H) to the head of a household hammer and tap bottom (D) and top (E) until there is no gap at the connection to back panels (B1 + B2).



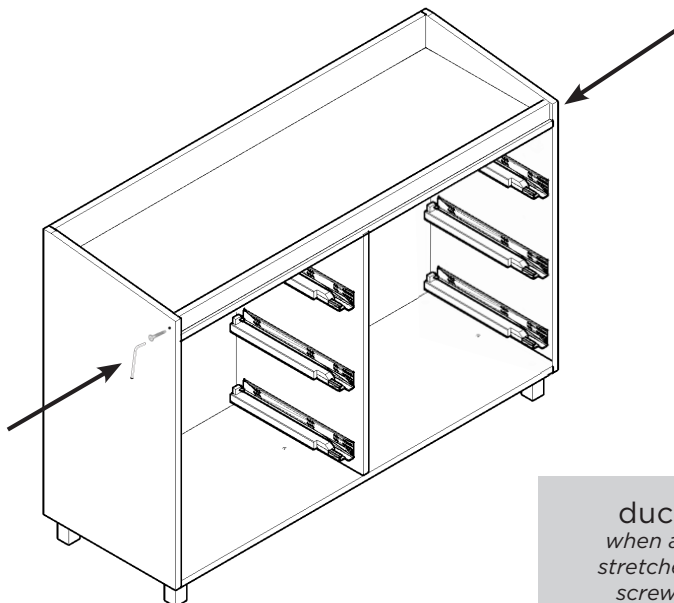
# 10a

with a friend, rotate the assembled case into upright position. position tray stretcher (C) between two side panels (A1 + A2) as shown. once the connectors on tray stretcher (C) are lined up with the holes on top (E), use hammer with hammer cap (G) to tap until secure.



# 10b

insert screws (M) into holes on side panels (A1 + A2). use allen key (L) to secure tray stretcher (C) to side panels (A1 + A2).



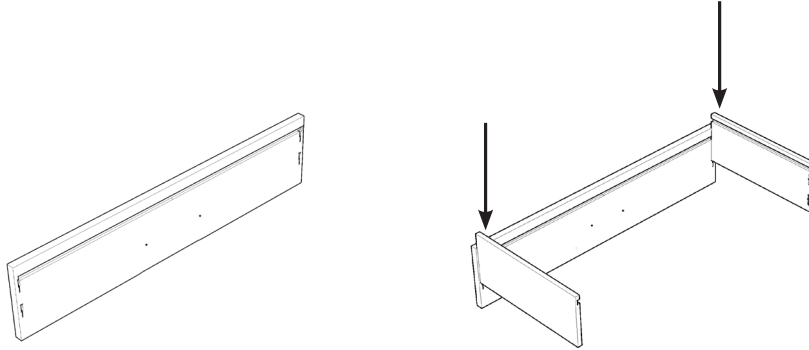
**duc insider tip!**  
*when attaching the tray  
stretcher, start by loosely  
screwing in each bolt.*

*once everything is lined up and  
both bolts are in place, fully  
tighten all screws until secure.*



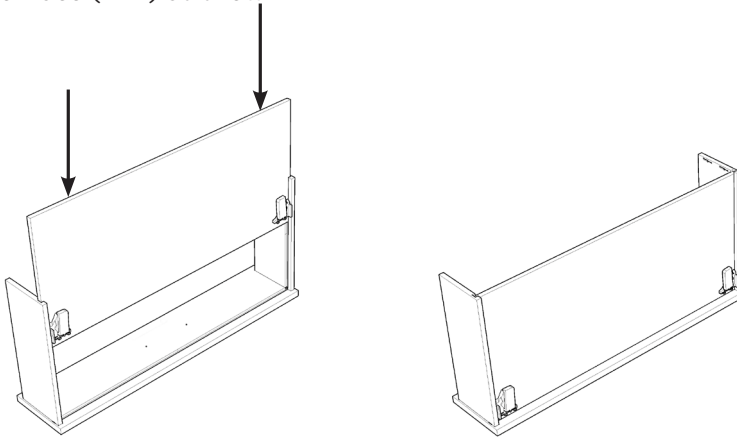
# 11a

now we build the drawers! starting with drawer face (DB1) facing down, insert connectors of both drawer box side panels (DB3 + DB4) into slots on drawer face (DB1). push down at the connections to lock into place.



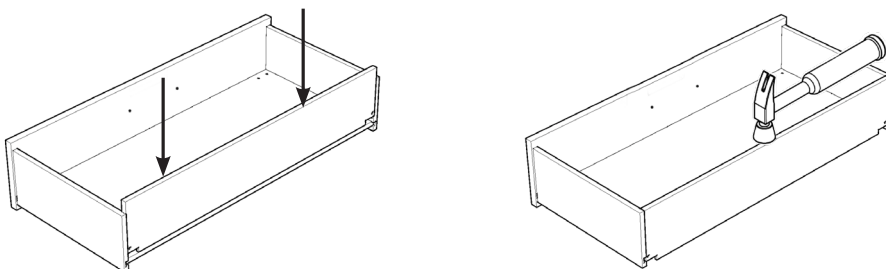
# 11b

rotate the partially assembled drawer box as shown. slide drawer box bottom (DB5) into place using grooves on the drawer box side panels (DB3 + DB4) as guides. be sure glide hardware on bottom panel (DB5) is positioned outside the drawer interior and toward the drawer face (DB1) as shown.



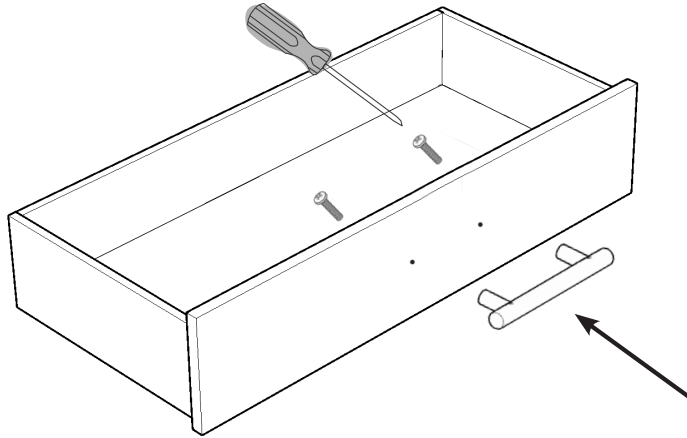
# 11c

again, rotate partially assembled drawer box as shown. insert connectors of drawer box sides back (DB2) into slots on drawer box sides (DB3 + DB4). push down at the connections to lock into place. use hammer and hammer cap (F) if needed.



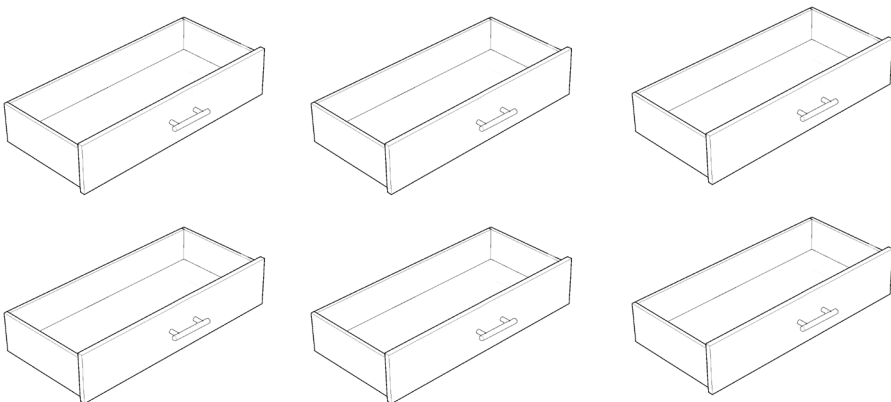
# 11d

using a phillips screwdriver and screws (DB7), attach the pull hardware (DB6) to the front of each drawer face.



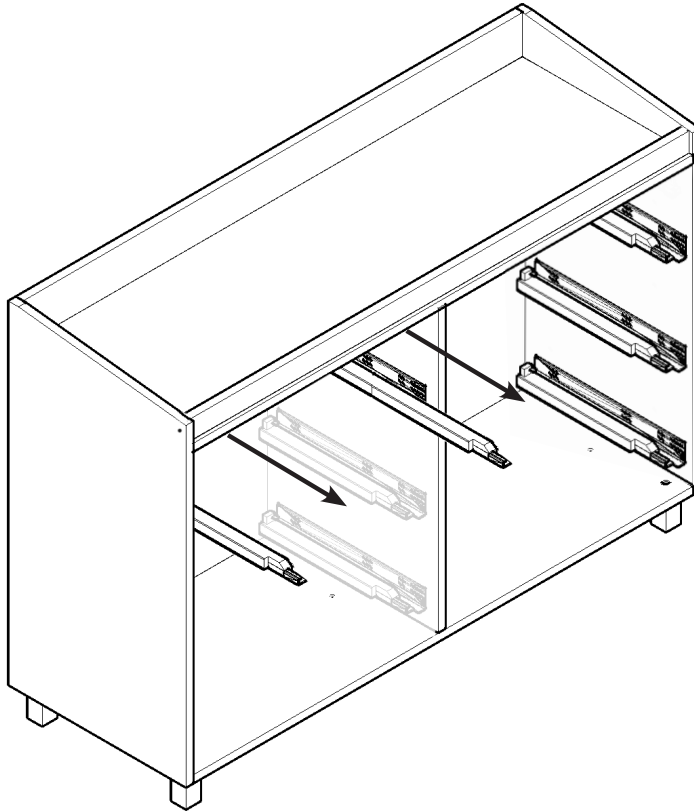
# 12

build remaining drawers using steps 11a, 11b, 11c, and 11d.



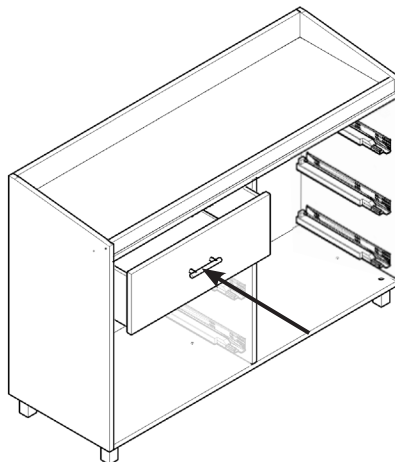
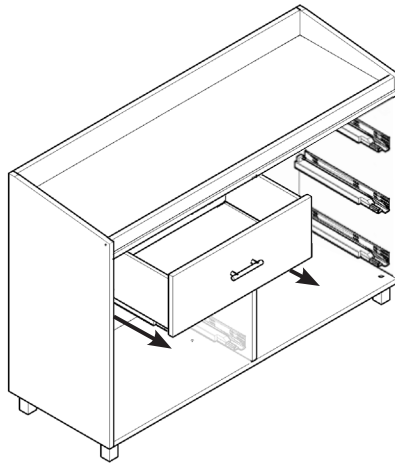
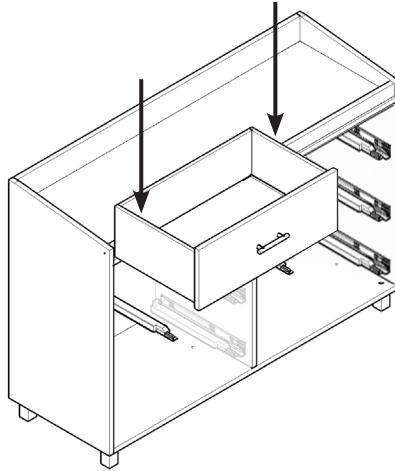
# 13a

starting at the top, pull drawer glides out to extended position as shown.



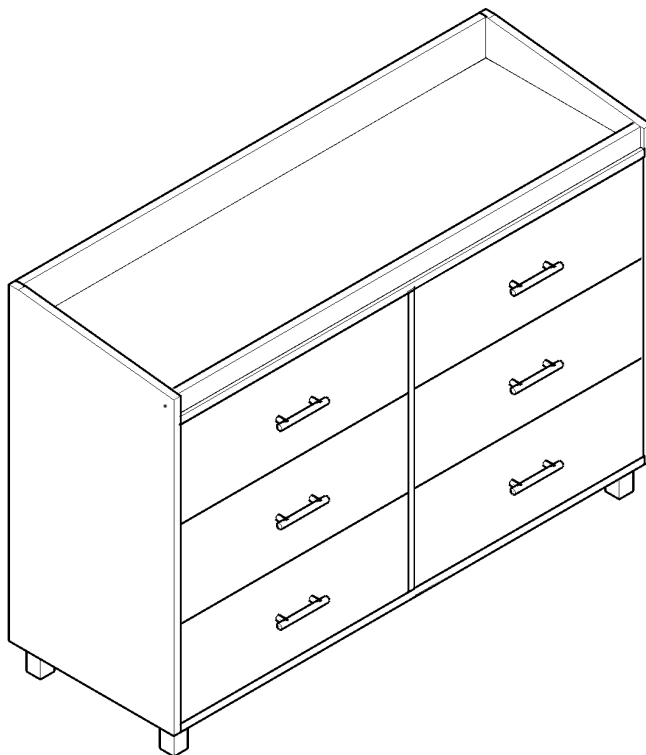
# 13b

place one assembled drawer box onto extended glides as shown. from underside of drawer, use hands to pull each glide forward until it locks into connection with glide hardware attached to drawer box bottom (DB5). the drawer will be secure when you hear a click on each connection. once secured, push drawer box in to close.



# 14

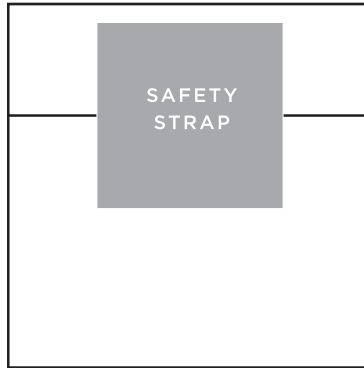
repeat steps 13a + 13b to install the remaining drawers.



# 15 safety strap installation

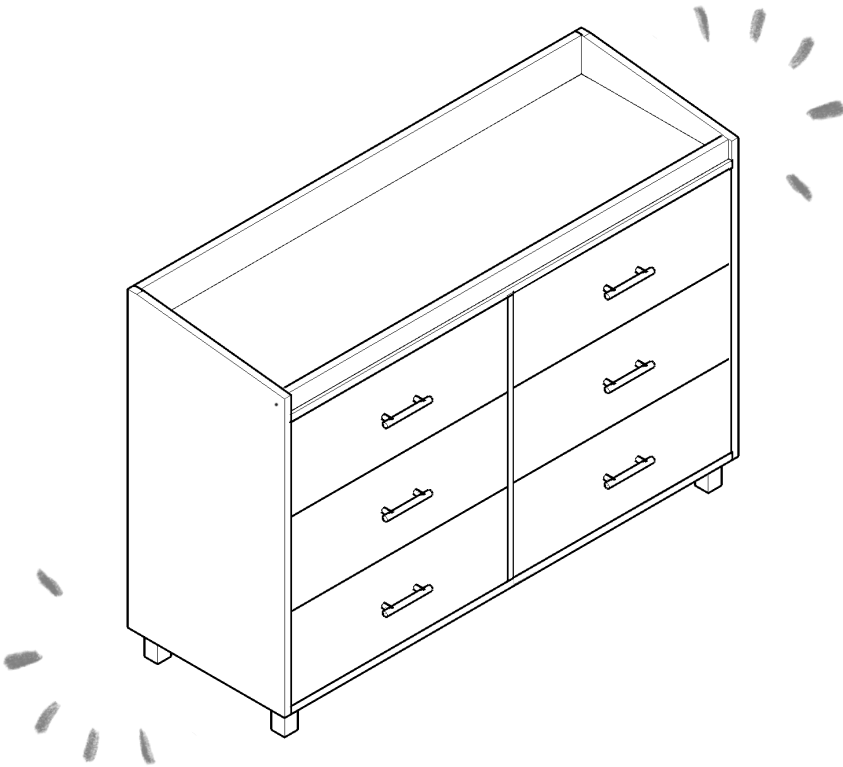
*Important! Do not skip this step. Furniture tipping over is a serious threat to children's safety.*

the last step for your dresser/changer is to install the safety strap included in the box. reference the separate instructions enclosed in the envelope.



# yippee! you did it!

give yourself a pat on the back, take a bow,  
or go home for a pint of ice cream...we don't judge.



# prefer to talk to a human instead? we're here for you!

contact our customer advocate team below:



212.226.1868



[quack@ducducnyc.com](mailto:quack@ducducnyc.com)



live chat at  
[ducducnyc.com](https://ducducnyc.com)