

Wilshire M Pedicure Chair



© Copyright 2019
Living Earth Crafts®

All rights reserved. This document or any portion thereof may not be reproduced in any way, including photocopying or translation to another language without the prior written permission from Living Earth Crafts.

Living Earth Crafts® is a registered trademark of Earthlite, LLC,

Legal Notice

The information provided in this document is intended for informational purposes only and is subject to change without notice. The information provided in this document should not be construed as a commitment by Living Earth Crafts®.

Living Earth Crafts® assumes no responsibility for the accuracy or suitability of the information contained in this document. This document may contain technical inaccuracies or errors. Living Earth Crafts® makes no expressed or implied warranties of any kind concerning the information contained in this document, including, but not limited to, the implied warranties of merchantability and fitness for purpose.

Living Earth Crafts® shall not be liable for incidental or consequential damages in connection with or arising out of the product, performance, or use of this document and the information and material it describes.

Introduction

Congratulations on your purchase of the Wilshire M pedicure chair. The Wilshire M is a luxurious mani/pedi combo chair with a convenient roll-up pedicure bowl. The Wilshire M features integrated ventilation, a beautiful copper bowl, and adjustable footrest.

The Wilshire M is designed for licensed therapists and technicians and is intended to be used in a professional spa, salon, or similar commercial environment. While no special training is needed to operate the product, for safety reasons it is important that the instructions contained in this manual are reviewed in detail before the first use. This manual should be read in its entirety by each professional who will be operating the product to ensure the safety of both operator and client. This manual should be saved for future reference.

The Wilshire M should not be used in any other manner than described in this manual. Please read, understand, and follow all safety warnings, labels, and instructions. Misuse, use of unnecessary force, or using the chair for unintended or unauthorized procedures can result in injury to operator, client, and/or equipment.

Detailed instructions for use and maintenance can be found in this user manual. If you have further questions, please contact us at (800) 872-0560 for US customers, or (760) 597-2155 for international customers. We can also be reached via e-mail at info@livingearthcrafts.com

Table of Contents

Section 1: Safety Information

Safety Symbols/Warnings..... 2-3

Section 2: Product Overview

Product Diagram..... 4

Product Specifications 5

Section 3: Operating Instructions

Footrest Operation..... 6

Retractable Bowl..... 6

Relaxor 7

Section 4: Care & Maintenance

Cleaning & Ongoing Maintenance..... 8

Upholstery Cleaning & Maintenance..... 9

Warranty Information 10

Section 5: Installation

Technical Drawings..... 11-12

Contact Us back cover

SECTION 1: SAFETY INFORMATION

Safety Symbols

Familiarize yourself with the following Safety & Warning symbols. They are designed to prevent damage and injury to you, your clients, and your new Living Earth Crafts product.

IMPORTANT: The important safety instructions and warnings in this manual cannot cover all possible problems and conditions that can occur. Use common sense and caution when installing, operating, or maintaining this appliance.



Indicates an imminently hazardous situation which could result in serious or fatal injury.



Indicates a potentially hazardous situation which could result in serious injury.



Indicates a potentially hazardous situation which could result in equipment damage and/or injury.

IMPORTANT SAFETY INSTRUCTIONS - FOR COMMERCIAL USE ONLY

Read all instructions before using this product.



RISK OF ACCIDENTAL INJURY OR DROWNING. DO NOT USE DRUGS OR ALCOHOL BEFORE OR DURING USE. CHILDREN OR HANDICAPPED PERSONS SHOULD NOT USE WITHOUT SUPERVISION.

WARNING - RISK OF HYPERTHERMIA AND POSSIBLE DROWNING. WATER TEMPERATURE IN EXCESS OF 38°C or 100.4°F CAN BE INJURIOUS TO YOUR HEALTH. CHECK AND ADJUST WATER TEMPERATURE BEFORE USE.

Hyperthermia occurs when the internal temperature of the body reaches a level several degrees above the body temperature of 98.6°F or 37°C. The symptoms of hyperthermia include an increase in the internal temperature of the body, dizziness, lethargy, drowsiness, and fainting. The effects of hyperthermia include:

- Failure to perceive heat,
- Failure to recognize the need to exit the hydromassage bathtub,
- Unawareness of impending hazard,
- Fetal damage in pregnant women,
- Physical inability to exit the hydromassage bathtub, and
- Unconsciousness resulting in the danger of drowning. **WARNING** - The use of alcohol, drugs, or medication can greatly increase the risk of fatal hyperthermia.

WARNING - RISK OF ELECTRIC SHOCK - Do not permit electric appliances (such as hair dryers, lamp, telephone, radio, or television) to be within 5 ft (1.5m) of this unit.

WARNING - RISK OF INJURY - Exercise care when using a foot bath. Use this product for its intended purpose. **DO NOT** use attachments not recommended by manufacturer.

WARNING - MOVABLE PARTS, RISK OF INJURY:

- Keep children away from tilt back and footrest.

WARNING - To reduce the risk of burns, fire, electric shock, or injury to persons:

- Unplug from outlet before putting on or taking off parts.
- Close supervision is necessary when this furnishing is used by, or near children, invalids, or disabled persons. **DO NOT** leave children alone with chair. **DO NOT** allow children to crawl behind the chair.
- Never use this furnishing if it has a damaged cord or plug, if it is not working properly, if it has been dropped or damaged, or dropped into water. Return the furnishing to a service center for examination and repair.
- Keep the cord away from heated surfaces.
- Never operate the furnishing with the air openings blocked. Keep the air openings free of lint, hair, etc.
- Never drop or insert any object into any opening.

SECTION 1: SAFETY INFORMATION

WARNING

- DO NOT reach for any electrical object that has fallen into the water. Unplug immediately.
- DO NOT overfill the bowl.
- DO NOT stand on or in the bowl, or on the foot rest.
- DO NOT leave this chair unattended when in operation.
- DO NOT use outdoors.
- Keep the electrical cord away from heated surfaces.
- Connect this appliance only to a properly grounded outlet.
- To avoid injury, exercise care when entering or exiting the chair and foot bath.
- Use caution when making positioning adjustments to your chair. Keep all equipment and body parts away from moving parts while making any adjustments.
- It is important that you clean and disinfect the bowl after every use.
- Should you or a client experience any pain or discomfort while using the foot bath, discontinue use immediately and consult a physician.
- You or your clients should consult a physician if diabetic, have poor circulation, if feet or legs are inflamed, have an open wound, or if you have questions about whether you should be using a foot bath.
- Make certain that the cord and plug are maintained in good condition and are not allowed to become damaged while in use. Avoid positioning the cord in the traffic lane and it is always kept out of the way. Take this furnishing out of service immediately if the cord or plug becomes damaged in any way.
- Do not attempt to repair. All repairs must be performed by an authorized service representative.
- Chair and tub are to remain right side up. At no time should chair or tub be turned on it's side or upside down.

SECTION 2: PRODUCT OVERVIEW



SECTION 2: PRODUCT OVERVIEW

Product Specifications

Overall Width	34" (88 cm)
Length (chair only)	34.25" (88 cm)
Length (chair w/bowl)	58.125" (147 cm)
Chair Height	39" (99 cm)
Seat Height	22" (56 cm)

**Measurements may vary due to natural material variations.*

Included Features

Feature	Standard	Optional
Manual Retractable Bowl	X	
Copper Bowl	X	
Manual Adjustable Footrest	X	
Integrated Ventilation	X	
Upholstery	Nature's Touch	Urban Velvet Urban Weave (with Alta Guard treatment)
Manicure Sidetrays		X
Relaxor® Heat & Massage		X

SECTION 3: OPERATING INSTRUCTIONS

Footrest Operation



Always use extreme caution when making any position adjustments to your footrest. Ensure all body parts and objects are clear from all moving parts.



Do not sit on or put full body weight on the footrest. It is meant only to support a client's feet for a pedicure, not to support body weight.



Footrest Height Knob

Supporting footrest with one hand, pull the knob to unlock and adjust the height. Release knob to lock footrest into place.

Retractable Bowl Operation

Your Wilshire M has a bowl that conveniently retracts underneath the chair for manicure positioning. A cover is included that can be placed over the bowl once fully retracted.



Always use extreme caution when making any position adjustments to your chair/bowl. Ensure all body parts and objects are clear from all moving parts.



Bowl Pull Knob

Use this knob to push/pull the bowl to the desired position.

SECTION 3: OPERATING INSTRUCTIONS

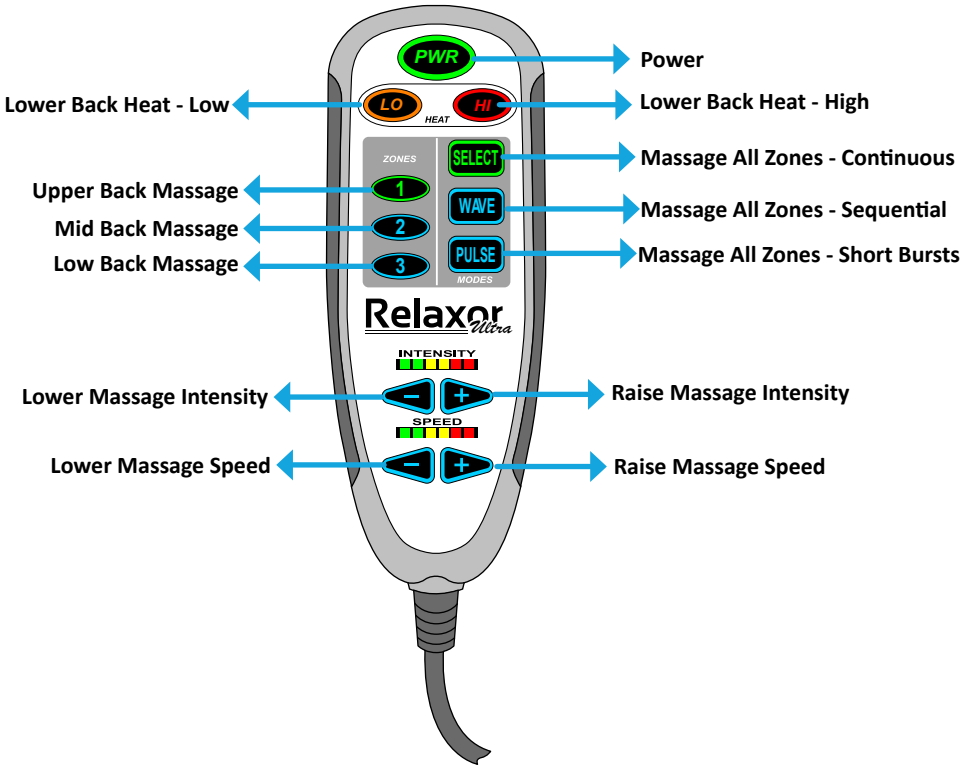
Relaxor® Heat & Massage (Optional)

The following diagrams illustrate the ease-of-use and functionality that the Relaxor® system provides to you and your clients.



RISK OF ELECTRIC SHOCK

Keep hand control and all electrical components away from water.



Symbol	Description
	• Massage 15 Minute Timer (Standard)
	• Massage 30 Minute Timer (Hold Down Button)
Green Light	• Indicates Active Button
Blue Light	• Indicates Normal Standby
Red Light	• Indicates High Mode
Orange Light	• Indicates Low Mode

SECTION 4: CARE & MAINTENANCE

Cleaning & Ongoing Maintenance

The following procedures are important guidelines that will help in keep your Wilshire M clean and trouble free for years. It is extremely important to clean and disinfect each pedicure chair after each pedicure and after the last pedicure of the day. (See next page for instructions.)

YOU ARE REQUIRED TO CHECK WITH YOUR STATE BOARD FOR MANDATORY CLEANING AND DISINFECTING REQUIREMENTS AND PROCEDURES.



DO NOT USE acetone, paint thinner, bleach, "Armor All" type cleaners, or industrial cleaners for ANY part of your chair, bowl, or components.

DO NOT place nail care products on edge of the bowl.

Extended exposure to chemicals like bleach can damage the bowl, footpad, and/or upholstery. Failure to comply with all cleaning instructions can cause damage and void your warranty.

Category	Care Recommendation
Upholstery	See next page
Laminate	Never use abrasive cleaners. A mild liquid detergent and warm water will clean soiled surfaces. To avoid discoloration, cleaners containing petroleum distillates must not remain on surfaces.
Copper Bowl	<p>CAUTION: Always refer to your state and local codes for specific cleaning requirements. NEVER USE abrasive cleaners on any surface area. Failure to comply can cause damage and void your warranty.</p> <p>We recommend using a mild bleach solution (1 part bleach to 3 parts water) or "Splish Splash One-Step Disinfectant" to clean your copper pedicure bowl. Use a dry, clean cloth to remove all water drops.</p> <p>DO NOT USE metal scrubbers to avoid any plating damage, silicate based bath additives/scrubs, oil-based products, abrasive cleaners, and products with petroleum distillates.</p>
Footrest	A mild detergent and warm water is all that is needed to clean the padded footrest. However care should be taken to prevent nail polish or acetone from coming in contact with the footrest. These products may damage or discolor the upholstery. In spite of taking necessary precautions to protect the leg supports, hard water and/or certain products may cause the black footrests to develop a white film or some discoloration. If this occurs, use a product called "Black Max"- Vinyl and Rubber Dressing.

SECTION 4: CARE & MAINTENANCE

Upholstery Cleaning & Maintenance

Follow the below cleaning instructions for your chair's upholstery. NOTE: There are different instructions for Nature's Touch upholstery vs. Urban Velvet and Urban Weave. Ensure you follow the correct procedures.

Nature's Touch Upholstery

Remove day-to-day dirt and smudges with a mild soap and water solution. For tough stains and to disinfect, use a (100 to 1) water to bleach solution. Spray a damp cloth with the solution to clean.

After each cleaning, gently wipe the upholstery with a damp cloth and clean water, then allow upholstery to air dry before using or storing.

For more difficult stains, please contact your dealer or please call us directly for guidance. For best results, use only the products suggested above.

Urban Velvet & Urban Weave Upholstery

1. Clean liquid spills quickly with a dry, clean, absorbent cloth. For liquids still beading up:

- Gently blot (don't rub) a spill immediately with a dry, clean, absorbent cloth
- No rinsing needed!

2. If any residual spot remains, rinse freely with warm water:

- Remove any excess soil or debris from the surface. Flush soiled area liberally with warm water then blot with a dry, clean, absorbent cloth.
- Change towel surface frequently until spot is gone. Try to avoid brushing which can spread the stain; keep repeating the process until the spot has been removed.
- Repeat again by rinsing with warm water and then blot clean, dry cloth if needed.
- It is ok to use a water extraction machine if desired (follow directions on machine).

3. For difficult or stubborn stains:

- Follow steps 1 & 2 first...then using 2-3 drops of a mild dishwasher detergent with a cup of water - apply to the soiled area.
- Gently work the solution into the area, wait a minute and blot the spot with a clean, dry, absorbent cloth. Repeat until spot has been completely removed.
- After cleaning, be sure to rinse thoroughly with warm water and blot to remove any soap residue.
- Any remaining soap not rinsed away in the fabric can cause a reoccurring stain.
- For more difficult stains, please contact your dealer or please call us directly for guidance.

4. DO NOT USE:

- Harsh detergents or solvents
- Fabric softeners
- Cleaners containing oxidizers

SECTION 4: CARE & MAINTENANCE

Warranty Information

Living Earth Crafts (LEC) offers an industry best warranty on all pedicure units.

- Motors and controls, actuators, foam and upholstery are warranted for two (2) years, including parts and labor unless otherwise noted.
- Glass parts are warranted for one (1) year.
- Accessories and replacement parts are warranted for ninety (90) days from date of shipment.

Living Earth Crafts may repair or replace defective components at our discretion.

Living Earth Crafts will return the warranted product, standard shipping pre- paid, to customers in the continental US. International customers are responsible for any applicable duties and taxes, as well as all shipping charges inbound and outbound.

Excluded from Limited Warranty:

1. Unauthorized repairs.
2. Damage due to freight, accident, natural disaster, and/or abuse.
3. Damage or malfunctions due to improper installation including but not limited to, failure to comply with all national, state, and local plumbing, electrical, and building codes.
4. Fading, discoloration, or staining of any part due to improper water additives, hard water, or harmful cleaning agents or chemicals.
5. Damage to drain pump due to obstruction in drain hose and/or debris in pump impeller housing.

Parts and/or circumstances for which labor is NOT COVERED - Parts noted below are simple to replace and DO NOT require a service technician:

- Jet cover and/or impeller
- Footrest/leg supports
- On/off air actuated button
- Black plastic parts
- Manicure trays
- Replacement upholstery
- Faucet cartridge and/or filler-sprayer
- Relaxor
- Any LED light
- Handheld control wands
- Any international shipment including but not limited to Canada and Mexico

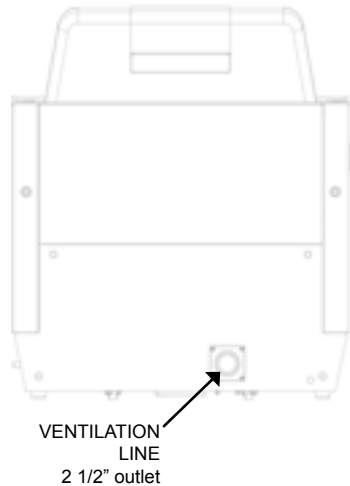
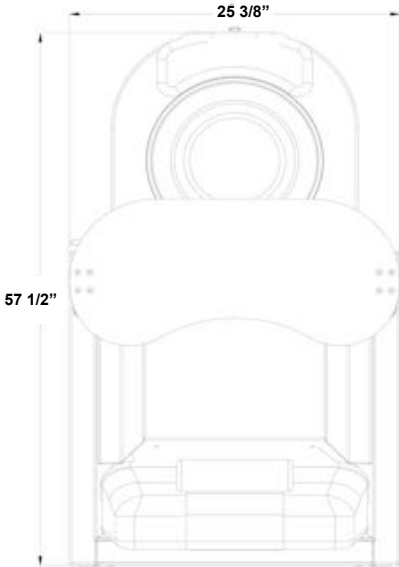
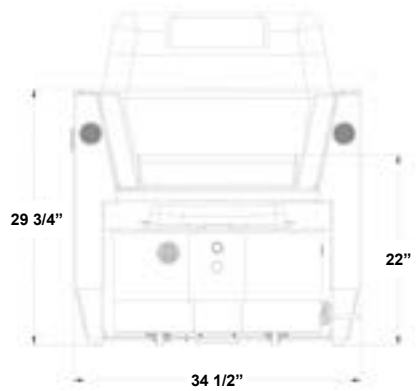
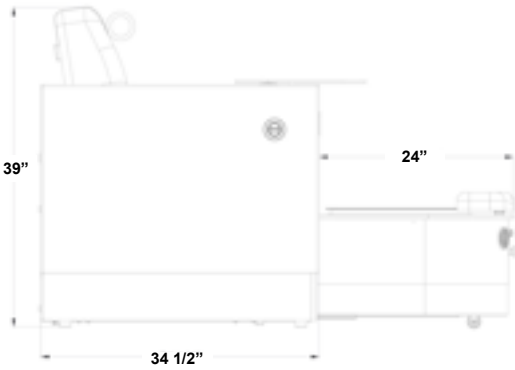
All warranties are limited to repair or replacement, at Living Earth Craft's discretion, unless otherwise stated. This limited warranty applies only to pedicure chairs installed in any one of the fifty (50) States of the United States, the District of Columbia, or provinces of Canada.

SECTION 5: INSTALLATION

Technical Drawings

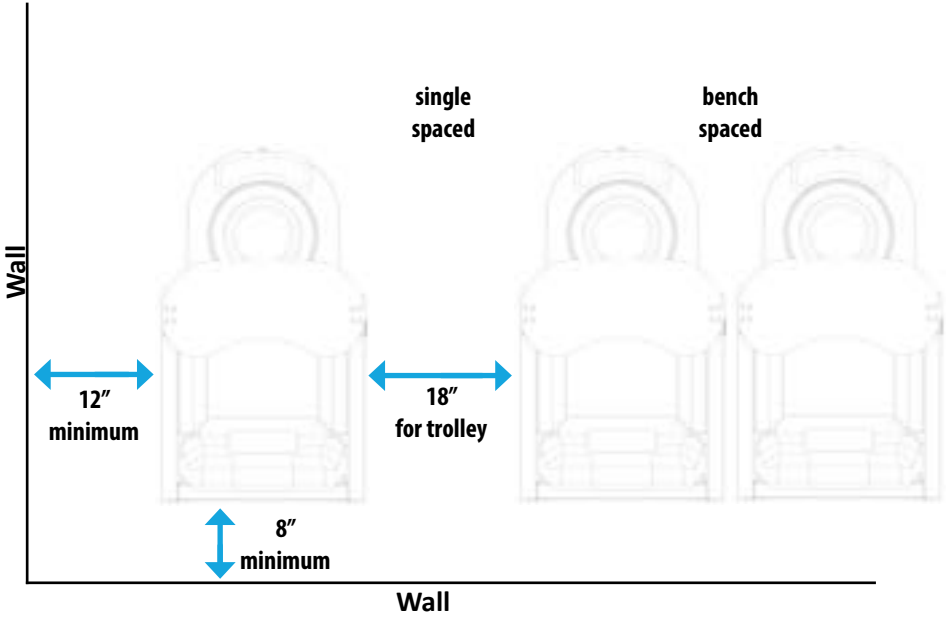
Water, discharge, and ventilation lines will need to be connected. See technical drawings below showing connection points. A licensed plumber and electrician must make the utility connections to this pedicure chair.

NOTE: INSTALLER/OWNER BEARS ALL RESPONSIBILITIES TO COMPLY WITH ALL STATE AND LOCAL CODES FOR PLUMBING AND ELECTRICAL WHEN INSTALLING THIS PRODUCT. FAILURE TO COMPLY WITH THESE INSTRUCTIONS MAY VOID WARRANTY.

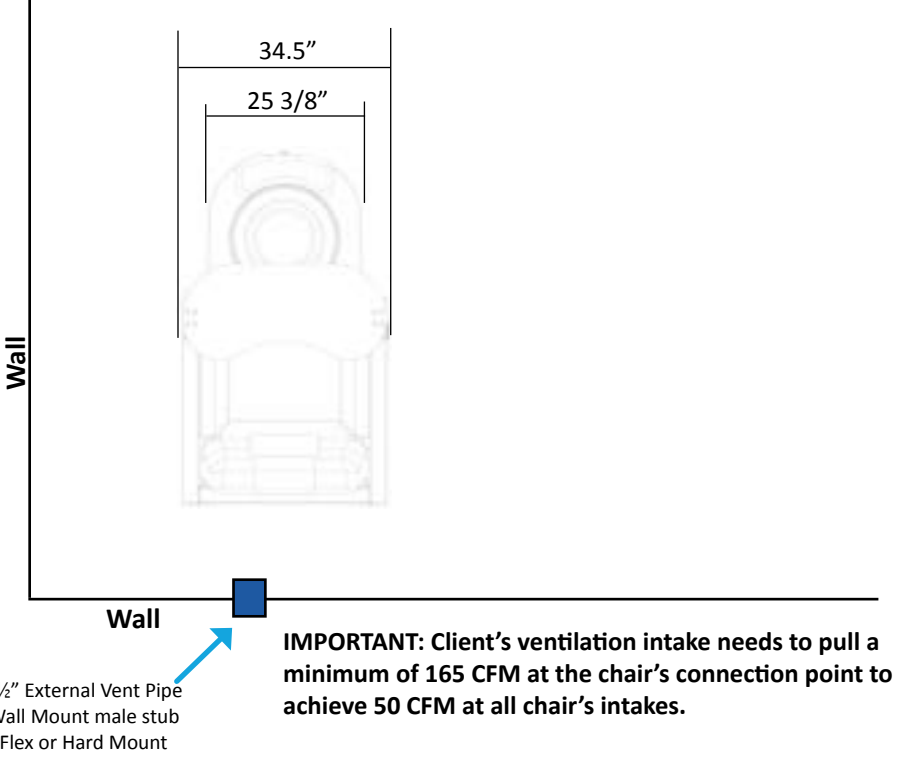


SECTION 5: INSTALLATION

Recommended Spacing



Plumbing & Power Connections - Required Setup



2½" External Vent Pipe
Wall Mount male stub
Flex or Hard Mount



Contact Us

Living Earth Crafts
990 Joshua Way
Vista, CA. 92081
(800) 872-0560
(760) 597-2155 Int'l
(866) 449-8872 fax
info@livingearthcrafts.com

Hours of operation:

Monday - Friday
8:00 a.m. to 5 p.m. PST

Saturday - Sunday
Closed

Visit us online at: livingearthcrafts.com



Join us on
Facebook



Follow us on
Twitter



Follow us on
Instagram



Connect with us
on Linked In