

# USER MANUAL

---

## OAKWORKS® Masters' Collection Tables



Icon Series



Cosmo Series



Legacy Series



Maia Series



Talise Series

Printed in U.S.A.

All rights are reserved. No part of this document may be photocopied, reproduced or translated to another language without prior written consent of OAKWORKS<sup>®</sup>, Inc.

OAKWORKS<sup>®</sup> is a registered trademark of OAKWORKS<sup>®</sup>, Inc.

#### Notice

The information contained within this document is subject to change without notice and should not be construed as a commitment by OAKWORKS<sup>®</sup>, Inc.

OAKWORKS<sup>®</sup>, Inc. encourages requests for technical specifications and the like documentation to ensure accuracy. The appropriate documentation is available upon request.

OAKWORKS<sup>®</sup>, Inc. shall not be liable for incidental or consequential damages in connection with or arising out of the furnishing, performance, or use of this document and the program material which it describes.

# TABLE OF CONTENTS

---

- Product Use Description ..... 1
- Important Safety Instructions
  - Symbol Identification ..... 1
  - Important Safety Instructions ..... 2-3
- Product Description & Photo
  - 4 Leg Tables
    - Cosmo - CO ..... 4
    - Icon - IC ..... 5
    - Legacy - LC ..... 6
    - Maia - MI ..... 7
  - 2 Column Tables
    - Talise - TA ..... 8
- Installation
  - Grounding ..... 9
- Directions for Use
  - Foot Control Operations
    - 1 Section Flat Top and 1 Section Fuzion Top Tables Only ..... 10
    - 4 Section Salon Top and 4 Section Fuzion Top Tables Only ..... 11
    - Adjustable Body Comfort (ABC) Systems Only ..... 12
  - Hand Control Operations
    - 1 Section Flat Top and 1 Section Fuzion Top Tables Only ..... 13
    - 4 Section Salon Top and 4 Section Fuzion Top Tables Only ..... 14
    - Adjustable Body Comfort (ABC) Systems Only ..... 15
  - Adjustable Body Comfort (ABC) System Use ..... 16-17
  - Moving the table ..... 18
  - Key Lock Use ..... 18
- Cleaning & Disinfection
  - Recommended Cleaners/Disinfectants ..... 19
  - Cleaning Procedure ..... 20
- Inspections ..... 20
- Warranty Information ..... 20
- Model Number & Serial Number
  - Product Label Location ..... 21
- Specifications
  - Product Specifications ..... 22
  - Environmental Conditions ..... 22
  - 120 Volt Electrical Specifications ..... 22
  - 230 Volt Electrical Specifications ..... 22
- Product Disposal ..... 23
- Contact Information ..... back cover

---

# PRODUCT USE DESCRIPTION / IMPORTANT SAFETY INSTRUCTIONS

## PRODUCT USE DESCRIPTION

The product is a cord connected spa/massage table for commercial use. It is intended for indoor use. Maximum weight capacity of 500 lbs.

The product is intended to be used by trained professionals in a controlled environment. A review of the following Safety Instructions is important for the safety of the operator and patient. Read all instructions and understand this entire user manual before using the product. There are no known contraindications to the use of this equipment.

The table should not be used in any other manner than that described within this manual. Use of any unnecessary force or unauthorized procedures could result in injury to practitioner, client or equipment.

## SYMBOL IDENTIFICATION



This symbol, when used in this manual and on product labels, represents a caution warning. Be sure to read and comply with all precautions and warnings.



This symbol, when used in this manual and on product labels, warns against an electrical shock hazard. Be sure to observe and comply with all warnings.



This symbol, when used in this manual or on product labels, indicates a Protective Earth (Ground) Terminal.



This symbol, when used in this manual or on product labels, indicates the date of manufacture of the device.



This symbol, when used in this manual or on product labels, indicates alternating current (AC).



This symbol, when used in this manual or on product labels, indicates direct current (DC).



This symbol is used to indicate that the operator should consult the user manual.



This symbol indicates that when the end-user wishes to discard this product, it must be sent to separate collection facilities for recovery and recycling.

## IMPORTANT SAFETY INSTRUCTIONS

---

### IMPORTANT SAFETY INSTRUCTIONS

When using an electrical furnishing, basic precautions should always be followed, including the following:



#### DANGER

**READ AND SAVE THESE INSTRUCTIONS**

To reduce risk of electric shock:

1. Always unplug this furnishing from the electrical outlet before cleaning.
2. Connect this furnishing to a properly grounded outlet only. See Grounding Instructions in this manual.

Electrical Shock Hazard. The power supply/control module is located on the lift frame. No user serviceable parts are inside. Refer servicing to qualified personnel. Unplug wall plug prior to contact with any cables connected to the power supply.



#### WARNING

To reduce the risk of burns, fire, electric shock or injury to persons:

1. Unplug from outlet before adding or removing parts.
2. Never operate this furnishing if it has a damaged cord or plug, if it is not working properly, if it has been dropped or damaged, or dropped into water. Contact OAKWORKS® Inc., Customer Service before use at 717.235.6807.
3. Keep the cord away from heated surfaces.
4. Never drop or insert any object into any opening.
5. Do not use outdoors.
6. Do not operate where aerosol (spray) products are being used or where oxygen is being administered.
7. Use this furnishing only for its intended use as described in these instructions. Do not use attachments not recommended by the manufacturer.
8. To disconnect, turn all controls to the off position, then remove plug from outlet.
9. Improper connection of the equipment-grounding conductor can result in a risk of electric shock. Check with a qualified electrician or service person if you are in doubt as to whether the product is properly grounded.
10. Do not modify the plug provided with the product - if it will not fit the outlet; have a proper outlet installed by a qualified electrician.



#### WARNING

1. Risk of Injury - 500 lbs. (227 kg.) maximum load.
2. Close supervision is necessary when this furnishing is used by, or near children, invalids, or disabled persons.
3. Remove key from switch when not in use, and store out of reach of children.



#### PERSONAL SAFETY

This unit is For Commercial Use Only and to be operated only by trained personnel.

Remove power key when not in use and store out of reach of children.

Lifting & top motion electric motors are rated at 10% duty cycle max. (2 min. on, 18 min. rest)



#### PINCH HAZARD

Keep hands, feet and controls away from the table while making adjustments

Risk of Injury - Children should NEVER be near the table when in use.

## IMPORTANT SAFETY INSTRUCTIONS

---

### IMPORTANT SAFETY INSTRUCTIONS



## CAUTION

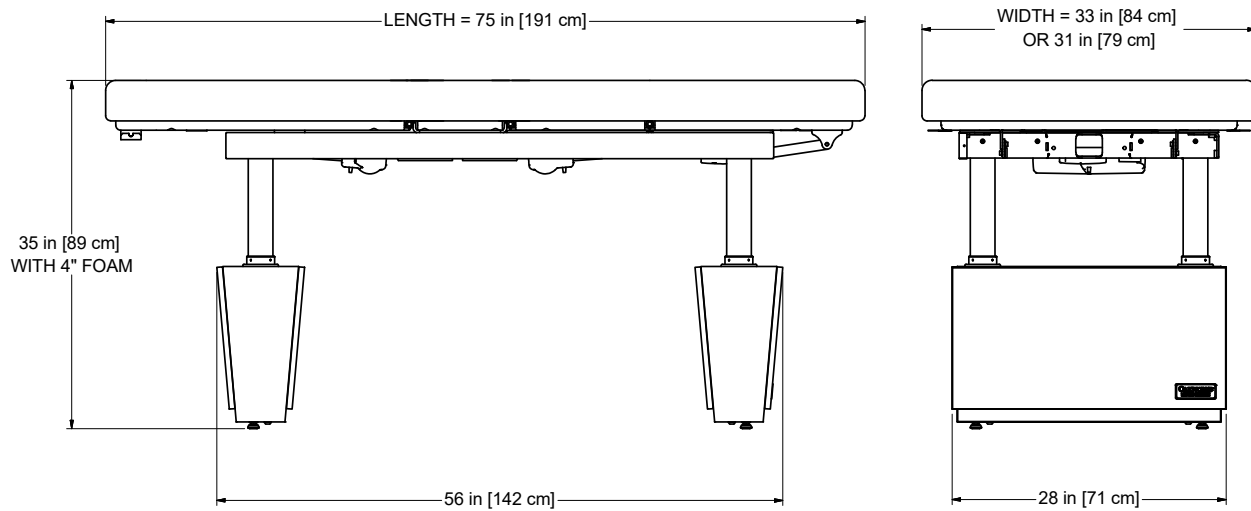
1. The use of accessories, transducers, and cables other than those specified by the manufacturer, may result in increased emissions or decreased immunity of the table.
2. The table should not be used adjacent to or stacked with other equipment and that if adjacent or stacked use is necessary, the table should be observed to verify normal operation in the configuration in which it will be used.
3. The table is designed to be a stand-alone table. This table must not be modified or incorporated into any other equipment.
4. Proper operation of this equipment is very important for the safety of the operator, patient, and any other individuals in the area of this equipment. Directions for use of this equipment are described in this manual. The operator should read these sections carefully.
5. Weight Limit: (patient and accessories) 500 lbs. (227 kg.) Do not exceed.
6. Adjustable Body Comfort (ABC) System Weight Limit - 100 lbs. (45 kg.)
7. Do not sit on the ABC System.
8. Do not place foreign objects into the ABC System.
9. Only use the ABC system as intended.
10. For safety of your client, use a cloth sheet between the ABC System and your client.
11. Be certain that the table is completely lowered without any tilt being present prior to discharging an ambulatory patient. The patient may lose balance and fall.
12. Do not lift table by the tabletop pad. This can damage the removable pad.
13. When lowering the table, make sure there is nothing underneath the tabletop that can impede motion (like stools, cabinets, accessory parts, cleaners, etc...)
14. When using the table Height Up function, do not place anything between the metal frame and the base structure. Damage can occur to the table.
15. Do not sit on backrest or footrest sections.
16. The hood area under the backrest top is not designed for storage.
17. DO NOT use the hood area under the backrest top for holding anything as damage can occur to the table.
18. Before moving any of the tables, disconnect the power cord from the power outlet.
19. The table weighs as much as 475 lbs. (216 kg.)
20. Use extreme caution when lifting the table to move it.
21. 4 people are required to move the table safely.
22. DO NOT use the table to transport a patient.

# PRODUCT DESCRIPTION - 4 LEG TABLES

## Cosmo - CO

- Upholstered Top Models:
- 1 Section Flat Top
  - 1 Section Fuzion Top (120V or 230V)
  - 4 Section Salon Top
  - 4 Section Fuzion Top (120V or 230V)

ABC Model



STANDARD SPECIFICATIONS			
1 Section Table Motion	Powered 25-35" (64-89 cm.) Height (with 4" foam)	3 Motions of the 4 Section Table Motions	1) Powered 25-35" (64-89 cm.) Height (with 4" foam)
Foot Control	All powered motions		2) Powered 0-80° Backrest
Hand Control	All powered motions and Memory Positions		3) Powered 0-30° Thigh / 0-19° Footrest
Table Capacity	500 lbs. (227 kg.) (patient and accessories)	Padding	4" (8 cm.) or 6" (15 cm.) AeroLux Foam
Table Voltage Options	120V/60Hz or 230V/50Hz		
OPTIONS / ACCESSORIES			
120V or 230V Outlets		2nd Foot Control	
2nd Hand Control (All powered motions and Memory Positions)			

For electrical specs, see Specifications section.

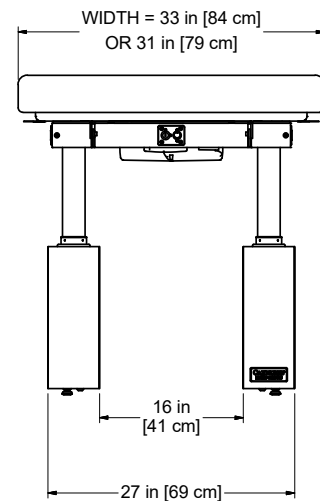
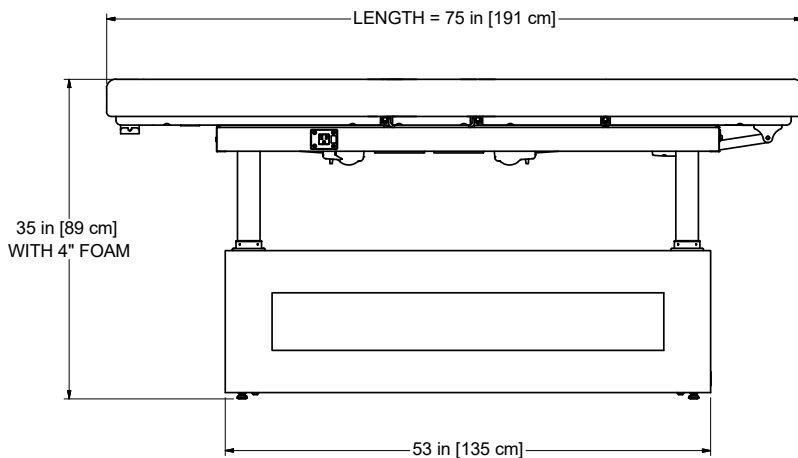
## PRODUCT DESCRIPTION - 4 LEG TABLES

### Icon - IC



- Upholstered Top Models:
- 1 Section Flat Top
  - 1 Section Fuzion Top (120V or 230V)
  - 4 Section Salon Top
  - 4 Section Fuzion Top (120V or 230V)

ABC Model



#### STANDARD SPECIFICATIONS

1 Section Table Motion	Powered 25-35" (64-89 cm.) Height (with 4" foam)	3 Motions of the 4 Section Table Motions	1) Powered 25-35" (64-89 cm.) Height (with 4" foam)
Foot Control	All powered motions		2) Powered 0-80° Backrest
Hand Control	All powered motions and Memory Positions		3) Powered 0-30° Thigh / 0-19° Footrest
Table Capacity	500 lbs. (227 kg.) (patient and accessories)	Padding	4" (8 cm.) or 6" (15 cm.) AeroLux Foam
Table Voltage Options	120V/60Hz or 230V/50Hz		

#### OPTIONS / ACCESSORIES

120V or 230V External Outlets	2nd Foot Control
2nd Hand Control (All powered motions and Memory Positions)	

For electrical specs, see Specifications section.



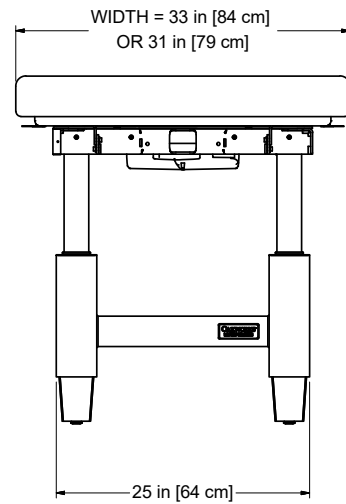
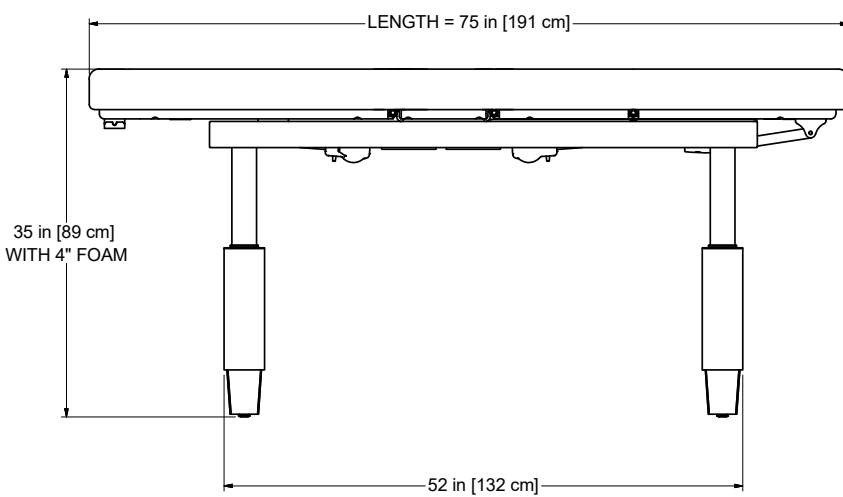
# PRODUCT DESCRIPTION - 4 LEG TABLES

## Legacy - LC



- Upholstered Top Models:
- 1 Section Flat Top
  - 1 Section Fuzion Top (120V or 230V)
  - 4 Section Salon Top
  - 4 Section Fuzion Top (120V or 230V)

ABC Model



STANDARD SPECIFICATIONS			
1 Section Table Motion	Powered 25-35" (64-89 cm.) Height (with 4" foam)	3 Motions of the 4 Section Table Motions	1) Powered 25-35" (64-89 cm.) Height (with 4" foam)
Foot Control	All powered motions		2) Powered 0-80° Backrest
Hand Control	All powered motions and Memory Positions		3) Powered 0-30° Thigh / 0-19° Footrest
Table Capacity	500 lbs. (227 kg.) (patient and accessories)	Padding	4" (8 cm.) or 6" (15 cm.) AeroLux Foam
Table Voltage Options	120V/60Hz or 230V/50Hz		
OPTIONS / ACCESSORIES			
120V or 230V Outlets	2nd Foot Control		
2nd Hand Control (All powered motions and Memory Positions)			

For electrical specs, see Specifications section.

# PRODUCT DESCRIPTION - 4 LEG TABLES

## Maia - MI

- Upholstered Top Models:
- 1 Section Flat Top
  - 1 Section Fuzion Top (120v or 230v)
  - 4 Section Salon Top
  - 4 Section Fuzion Top (120v or 230v)



ABC Model



Storage Model

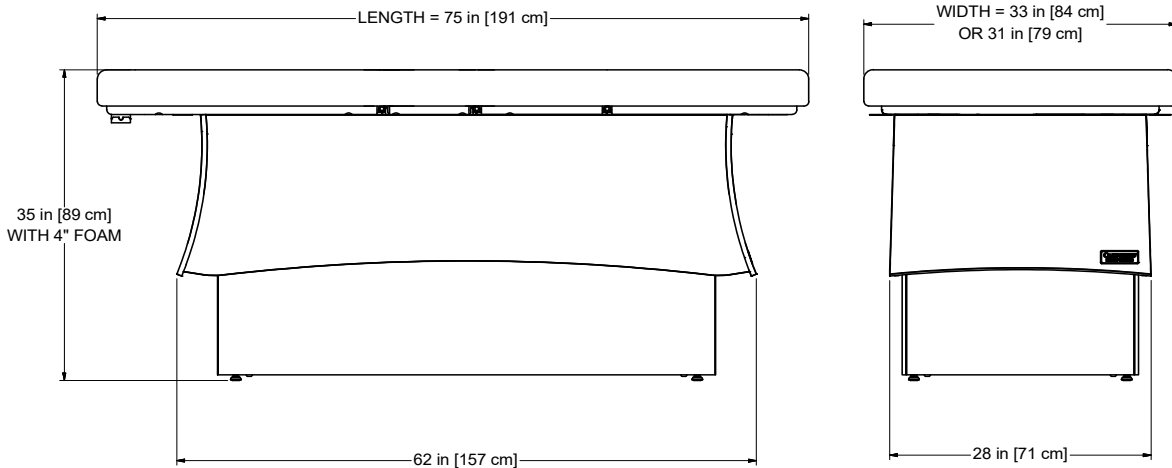


Storage Door Opening: 24"W x 10"H  
 Storage Cabinet: 41"L x 24"D x 11"H  
 Storage Load Capacity: 75 lbs.

Warming Drawer Model  
 Left or Right Side of the table



Warming Drawer Inside Area: 19"D x 17"W x 3"H  
 Warming Drawer Capacity: 16L



### STANDARD SPECIFICATIONS

1 Section Table Motion	Powered 25-35" (64-89 cm.) Height (with 4" foam)	3 Motions of the 4 Section Table Motions	1) Powered 25-35" (64-89 cm.) Height (with 4" foam)
Foot Control	All powered motions		2) Powered 0-80° Backrest
Hand Control	All powered motions and Memory Positions		3) Powered 0-30° Thigh / 0-19° Footrest
Table Capacity	500 lbs. (227 kg.) (patient and accessories)	Padding	4" (8 cm.) or 6" (15 cm.) AeroLux Foam
Table Voltage Options	120V/60Hz or 230V/50Hz		

### OPTIONS / ACCESSORIES

120V or 230V Internal and/or External Outlets	Hot Towel Cabi
2nd Hand Control (All powered motions and Memory Positions)	2nd Foot Control

For electrical specs, see Specifications section.

# PRODUCT DESCRIPTION - 2 COLUMN TABLES

## Talise - TA

- Upholstered Top Models:
- 1 Section Flat Top
  - 1 Section Fuzion Top (120v or 230v)
  - 4 Section Salon Top
  - 4 Section Fuzion Top (120v or 230v)



ABC Model



Storage Model

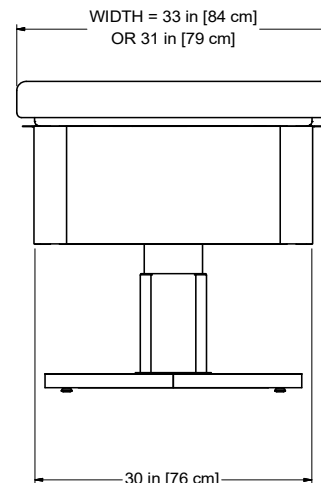
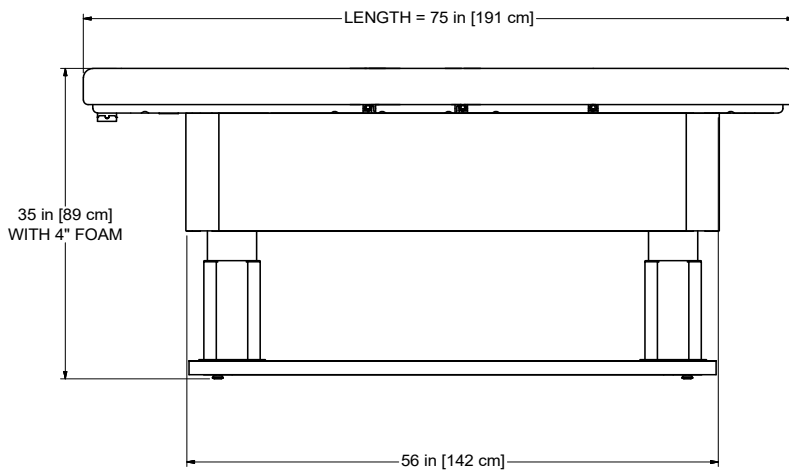


Storage Door Opening: 15"W x 9"H  
 Storage Cabinet: 38"L x 25"D x 9"H  
 Storage Load Capacity: 75 lbs.

Warming Drawer Model  
 Left or Right Side of the table



Warming Drawer Inside Area: 19"D x 17"W x 3"H  
 Warming Drawer Capacity: 16L



STANDARD SPECIFICATIONS			
1 Section Table Motion	Powered 20.5-34.5" (52-88 cm.) Height (with 4" foam)	3 Motions of the 4 Section Table Motions	1) Powered 20.5-34.5" (52-88 cm.) Height (with 4" foam)
Foot Control	All powered motions		2) Powered 0-80° Backrest
Hand Control	All powered motions and Memory Positions		3) Powered 0-30° Thigh / 0-19° Footrest
Table Capacity	500 lbs. (227 kg.) (patient and accessories)	Padding	4" (8 cm.) or 6" (15 cm.) AeroLux Foam
Table Voltage Options	120V/60Hz or 230V/50Hz		
OPTIONS / ACCESSORIES			
120V or 230V Internal and/or External Outlets		Hot Towel Cabi	
2nd Hand Control (All powered motions and Memory Positions)		2nd Foot Control	

For electrical specs, see Specifications section.

## INSTALLATION

The tables come completely assembled and ready to use. Plug the cord into a functioning outlet that is rated for the table. (see Grounding below)

Arrange the power cord and control cords so that they will not create a tripping hazard.

Be sure access to the plug is not blocked for disconnecting the table from power.

## GROUNDING

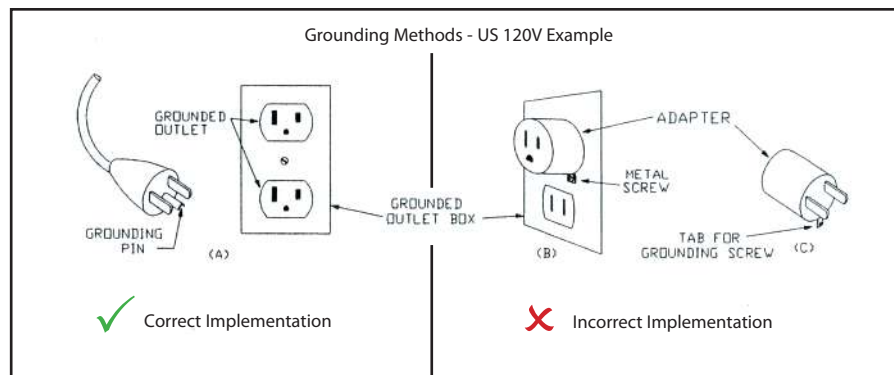


### DANGER

Risk of Electric Shock - Connect this furnishing to a properly grounded outlet only.

Grounding for 120 Volt products without warming drawer:

This product is for use on a nominal 120-volt circuit and has a grounding plug that looks like the plug shown below. See Grounding Methods - US 120V Example. Make sure that the product is connected to an outlet having the same configuration as the plug. No adapter should be used with this product.



Grounding for 120 Volt products with warming drawer:

This product is rated for more than 15 amperes and is for use on a circuit having a nominal rating of 120 volts and is factory-equipped with specific electric plug to permit connection to a proper circuit. Make sure that the product is connected to an outlet having the same configuration as the plug. No adapter should be used.

Grounding for 230 Volt products:

This product is rated for less than 15 amperes and is for use on a circuit having a nominal rating of 230 volts and is factory-equipped with specific electric plug to permit connection to a proper circuit. Make sure that the product is connected to an outlet having the same configuration as the plug. No adapter should be used.



### WARNING

1. Improper connection of the equipment-grounding conductor can result in a risk of electric shock. Check with a qualified electrician or service person if you are in doubt as to whether the product is properly grounded.
2. Do not modify the plug provided with the product - if it will not fit the outlet; have a proper outlet installed by a qualified electrician.

For electrical specs, see Specifications section.

## DIRECTIONS FOR USE

---

### FOOT CONTROL OPERATIONS - 1 SECTION FLAT TOP AND 1 SECTION FUZION TOP TABLES ONLY



#### CAUTION

When using the table Height Up function, do not place anything between the metal frame and the base structure as damage can occur to the table.

The 1 Section Flat Top and 1 Section Fuzion Top Tables offer height positioning with electronic ease. Operate the foot control as shown below to raise or lower the height of the table.

#### FOOT CONTROL OPERATION



For electrical specs, see Specifications section.

## DIRECTIONS FOR USE

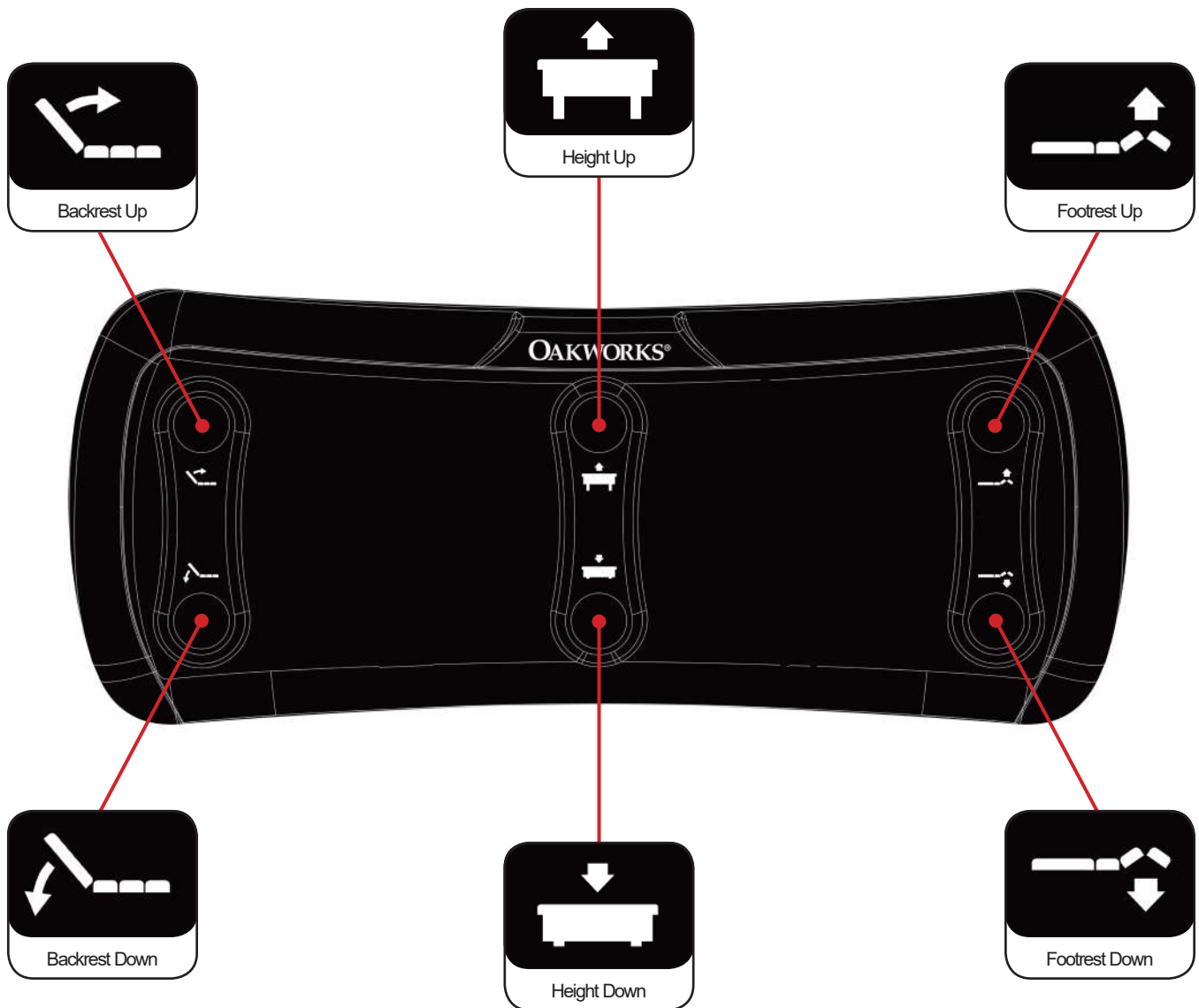
### FOOT CONTROL OPERATIONS - 4 SECTION SALON TOP AND 4 SECTION FUZION TOP TABLES ONLY



#### CAUTION

Do not sit on backrest or footrest sections.  
The hood area under the backrest top is not designed for storage.  
DO NOT use this area for holding anything as damage can occur to the table.

The 4 Section Salon Top and 4 Section Fuzion Top Tables offer backrest, height and footrest positioning with electronic ease. Operate the foot control as shown below to raise or lower the backrest, height or footrest functions of the table.



## DIRECTIONS FOR USE

### FOOT CONTROL OPERATIONS - ADJUSTABLE BODY COMFORT (ABC) SYSTEMS ONLY



#### CAUTION

ABC System Weight Limit - 100 lbs. (45 kg.)

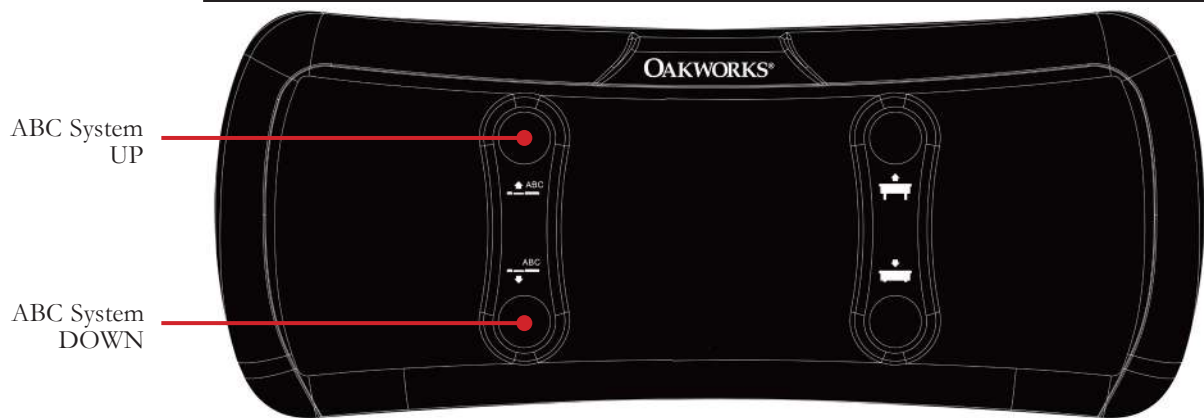
Do not place foreign objects into the ABC System.

Only use the ABC System as intended.

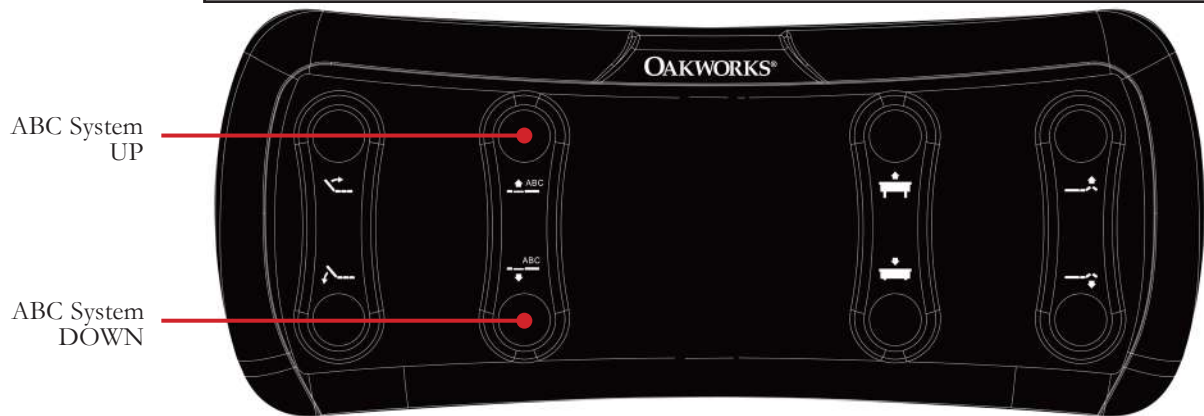
For safety of your client, use a cloth sheet between the ABC System and your client.

The OAKWORKS® Adjustable Body Comfort (ABC) System is designed to lower the pressure on breasts and pectoral muscles, allowing the client to relax and create a more comfortable position for their spine. The height of the cushion is easily adjusted up and down in small increments by using the foot control.

#### 1 SECTION FLAT TOP AND 1 SECTION FUZION TOP TABLES ONLY



#### 4 SECTION SALON TOP AND 4 SECTION FUZION TOP TABLES ONLY



ABC SYSTEM UP



ABC SYSTEM DOWN



## DIRECTIONS FOR USE

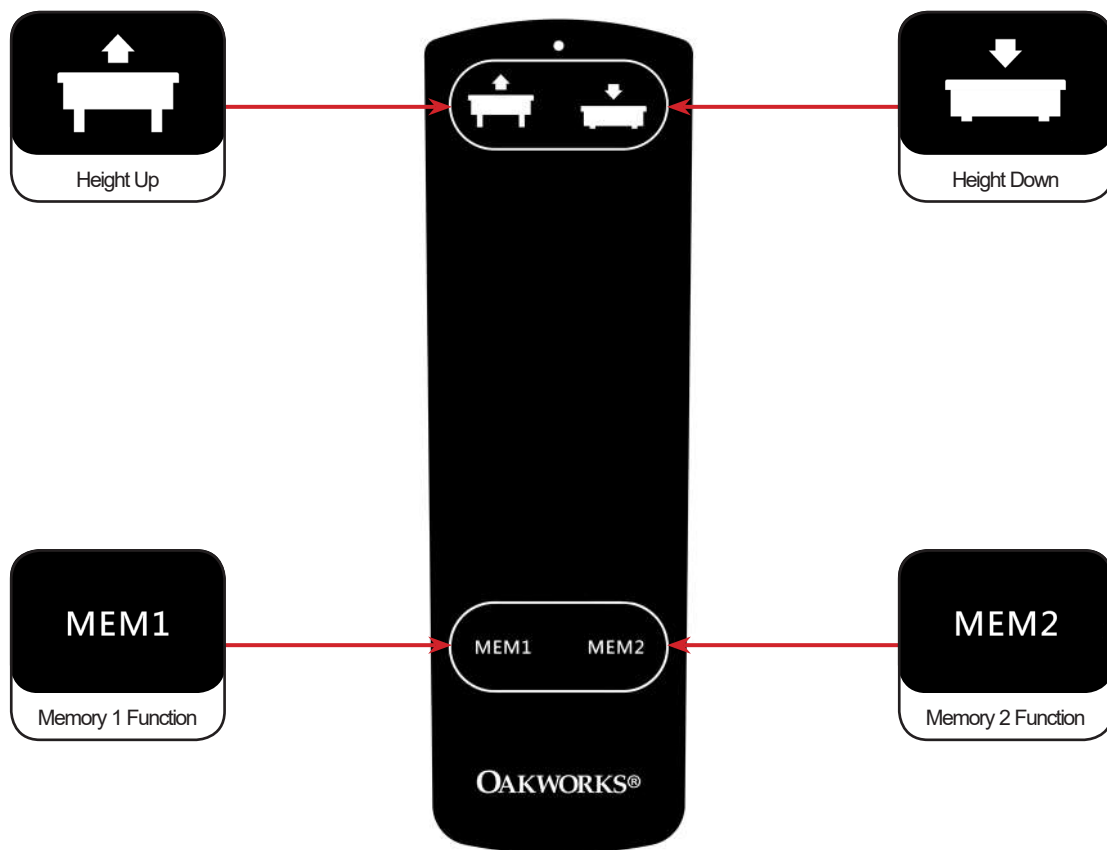
### HAND CONTROL OPERATIONS - 1 SECTION FLAT TOP AND 1 SECTION FUZION TOP TABLES ONLY



#### CAUTION

When using the table Height Up function, do not place anything between the metal frame and the base structure as damage can occur to the table.

The 1 Section Flat Top and 1 Section Fuzion Top Tables offer height positioning and memory positions with electronic ease. Operate the hand control as shown below to raise or lower the height of the table.



### MEMORY FUNCTION USE

Use either of the top 2 buttons to orient the table in a favorite position. To store the current position in memory, press the MEM button twice (double click). Two audible beeps will confirm. To recall a stored position, press & hold the MEM button.



## DIRECTIONS FOR USE

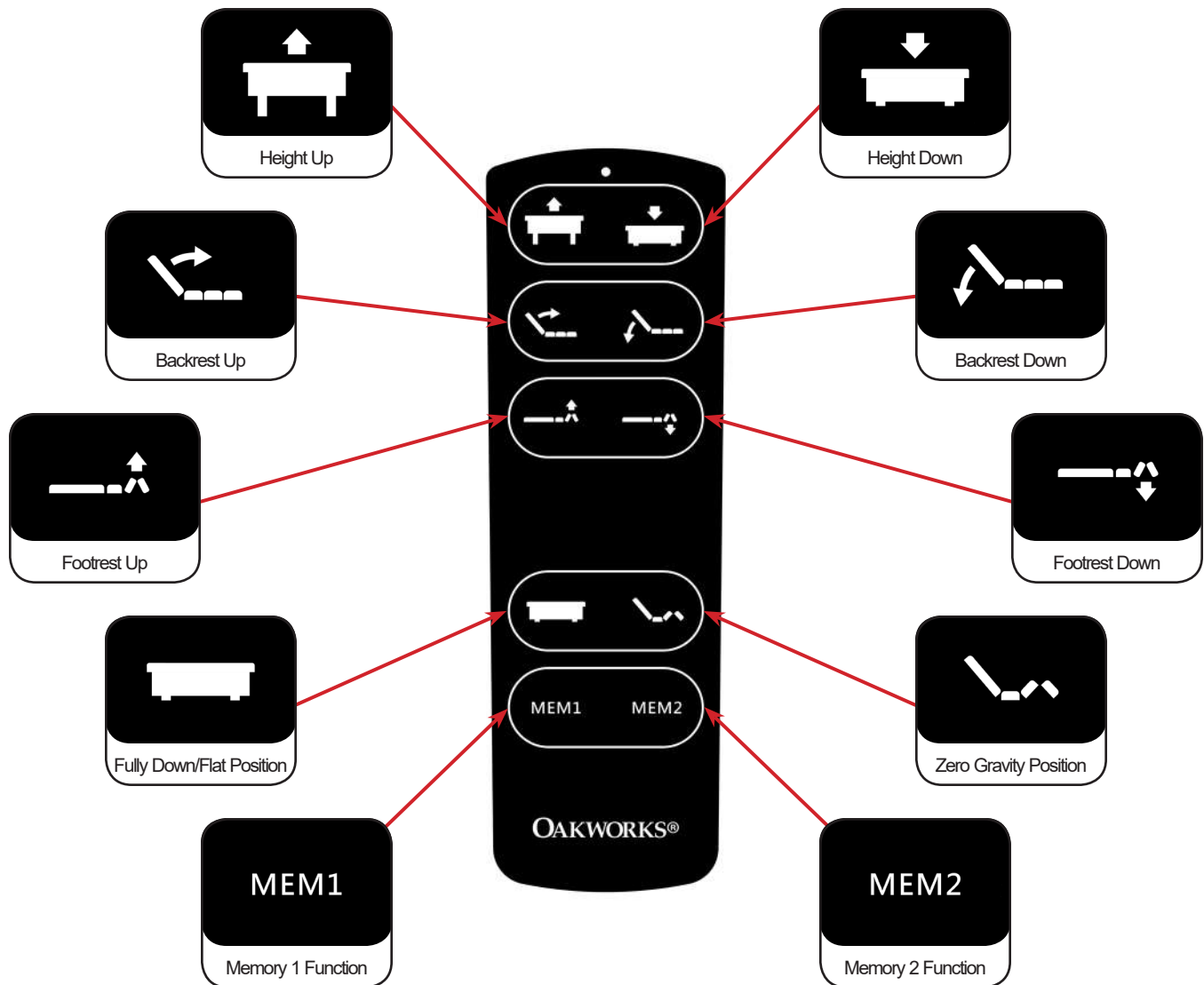
### HAND CONTROL OPERATIONS - 4 SECTION SALON TOP AND 4 SECTION FUZION TOP TABLES ONLY



#### CAUTION

Do not sit on backrest or footrest sections.  
The hood area under the backrest top is not designed for storage.  
DO NOT use this area for holding anything as damage can occur to the table.

The 4 Section Salon Top and 4 Section Fuzion Top Tables offer backrest, height and footrest positioning with electronic ease. Operate the hand control as shown below to raise or lower the backrest, height or footrest functions of the table.



### MEMORY FUNCTION USE

Use either of the top 8 buttons to orient the table in a favorite position. To store the current position in memory, press the MEM button twice (double click). Two audible beeps will confirm. To recall a stored position, press & hold the MEM button.

## DIRECTIONS FOR USE

### HAND CONTROL OPERATIONS - ADJUSTABLE BODY COMFORT (ABC) SYSTEMS ONLY



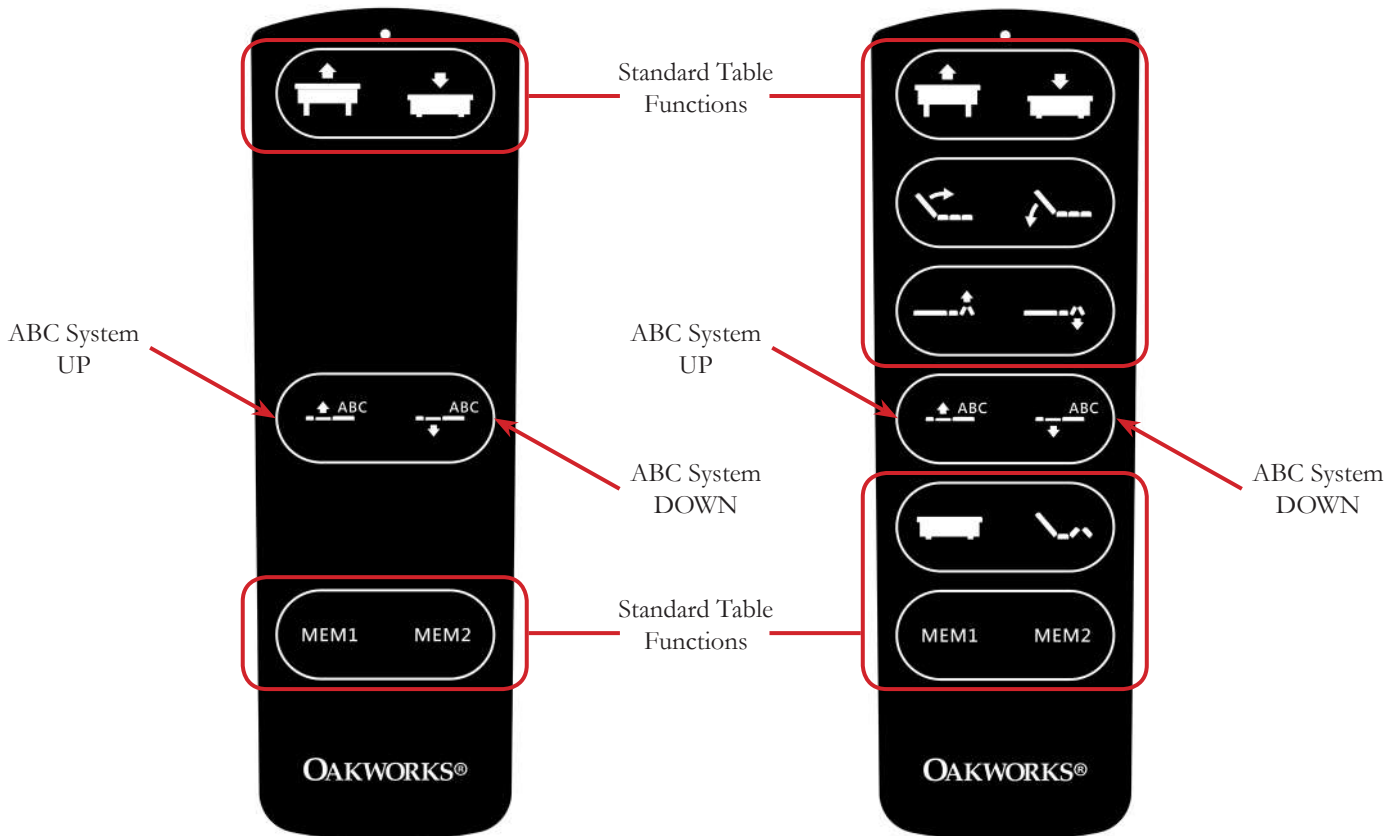
#### CAUTION

ABC System Weight Limit - 100 lbs. (45 kg.)  
Do not place foreign objects into the ABC System.  
Only use the ABC System as intended.  
For safety of your client, use a cloth sheet between the ABC System and your client.

The OAKWORKS® Adjustable Body Comfort (ABC) System is designed to lower the pressure on breasts and pectoral muscles, allowing the client to relax and create a more comfortable position for their spine. The height of the cushion is easily adjusted up and down in small increments by using the hand control.

1 SECTION FLAT AND  
1 SECTION FUZION TOP TABLES  
ONLY

4 SECTION SALON AND  
4 SECTION FUZION TOP TABLES ONLY



ABC SYSTEM UP

ABC SYSTEM DOWN



## DIRECTIONS FOR USE

### ADJUSTABLE BODY COMFORT (ABC) SYSTEM USE



#### CAUTION

ABC System Weight Limit - 100 lbs. (45 kg.)

Do not place foreign objects into the ABC System.

Only use the ABC System as intended.

For safety of your client, use a cloth sheet between the ABC System and your client.

The OAKWORKS® Adjustable Body Comfort (ABC) System is designed to lower the pressure on breasts and pectoral muscles, allowing the client to relax and create a more comfortable position for their spine. The height of the cushion is easily adjusted up and down in small increments by using the hand control. We recommend that the cushion height be adjusted in the following ways:

\*Always start with the cushion top level with the top of the table for Prone or Supine Positioning\*



#### PRONE POSITIONING

In prone positions, for male or female clients when the face rest is in use, lower the cushion approximately 3/4" at a time (this is approximately 1 second of lowering) and check in with the client regarding their comfort right after making the change. Incrementally lower the cushion until the client reports they are comfortable. Sometimes going back up a little will be preferred. This whole process takes no more than 15-20 seconds. After lowering, check headrest position to ensure comfort & support. Once a client's preferences are known, the cushion can be brought to that level before they are on the table. NOTE: Breast size is not the only determinate of cushion location. Every person's comfort spot is different, regardless of breast size.



#### SUPINE POSITIONING

When turning clients over to supine, you may use the cushion to level after or during their change of position. It is not important that the cushion be completely level. As in prone positions, make small changes in height and check in with the client.



#### HEAD REST USE IN SUPINE

If you are using the head rest in the supine position, you may use the cushion at relatively high heights to facilitate stretching for short periods of time. It is not recommended that clients experience this position for more than a few minutes.

## DIRECTIONS FOR USE

---

### ADJUSTABLE BODY COMFORT (ABC) SYSTEM USE



#### CAUTION

ABC System Weight Limit - 100 lbs. (45 kg.)

Do not place foreign objects into the ABC System.

Only use the ABC System as intended.

For safety of your client, use a cloth sheet between the ABC System and your client.

#### FACE REST USE

To attach the Quicklock face rest, insert the dowels into the holes on the end of the table. Ensure the snap buttons on the sides of the dowels lock into the slots of the metal bracket as shown to secure into place. Attach the Boiance™ face rest pad to top of platform. Adjust the Face rest pad on the platform closer to the table for shorter clients and farther away for taller clients. Lock the side handles into place once properly adjusted.



## DIRECTIONS FOR USE

### MOVING THE TABLE



#### CAUTION

Before moving any of the tables, disconnect the power cord from the power outlet. The table weighs as much as 475 lbs. (216 kg.) Use extreme caution when lifting the table to move it. 4 people are required to move the table safely. DO NOT use the table to transport a patient.

You will need 4 people working together to move the table. The table weighs as much as 475 lbs. (216 kg.) If you need to move the table, place one person at each corner of the table. We recommend that you have the tabletop in the flat position to have the tabletop exposed as much as possible. Have each person firmly grasp the top platform at the underside and lift the table from the top. As when moving any piece of heavy equipment, bend at the knee and lift with your legs beneath you and not with your back. Be aware and use proper, safe procedures for moving a table of this size to prevent injury to yourself or the table. We strongly recommend that a flatbed dolly be used that can hold the entire table weight if moving the table involves any large distance. In this case, make certain that all table leg levellers are positioned on the dolly, otherwise damage may occur to the table base. Move the table carefully to the next location, lower the table and release. Place the foot controls in position on the floor. Connect the power cord to the outlet and test the foot control.



Grasp on black frame when moving

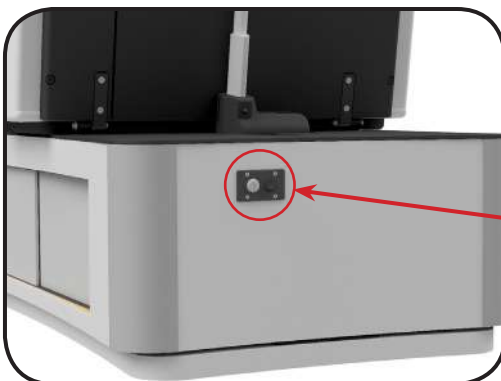
### KEY LOCK USE



#### WARNING

To reduce the risk of burns, fire, electric shock or injury to persons:  
- Remove key lock when not in use, and store out of reach of children.

A table key lock is located at either the head or foot end of the table. This key lock will lock out the table and prevent all motions. It should be used to prevent unauthorized use. Remove the key when not in use, and store out of reach of children. The green light on the switch indicates the table is on.



Key Lock Use  
I - Unlocks the table  
O - Locks the table

Switch Use  
I - Turns table on  
O - Turns table off

## CLEANING & DISINFECTION

### RECOMMENDED CLEANERS/DISINFECTANTS



#### DANGER

To reduce the risk of electric shock:  
- Always unplug this furnishing from the electrical outlet before cleaning.

The following cleaners were tested by OAKWORKS® and found to be acceptably compatible with all materials used in construction of our tables:

1. Formula 409®
2. Fantastik®
3. Green Windex®

The following disinfectants were tested by OAKWORKS® and found to be acceptably compatible with all materials used in construction of our tables:

1. Parker Labs: Protex™ (EPA reg# 6836-152-82613)
2. Healthlink® E-Z Kill® (EPA reg# 59894-10-67454)
3. MADA Medical: Madacide-FD (EPA reg# 1130-15-11703)

The following disinfectants were tested by OAKWORKS® and found to be acceptably compatible with most materials, with some cautions as indicated:

1. 10% Sodium Hypochlorite (bleach) solution in water (EPA reg# 5813-100) (possible mild corrosion of plated metals)
2. Metrex Cavicide One (EPA reg# 46781-12) (possible slight deterioration of upholstery and wood lacquer)

OAKWORKS® recommends a prepackaged wipe for cleaners/disinfectants to ensure best distribution of disinfectant for the required kill time, without leaving excess residue and/or overexposing components therefore minimizing the potential for damage to materials. Please read and follow disinfectants manufacturers' directions for cleaning and disinfection.

The following disinfectants were tested by OAKWORKS® and found to be incompatible with some materials and are therefore NOT recommended for use:

1. Clorox Broad Spectrum Quaternary (EPA reg# 67619-20)(deterioration of upholstery, wood lacquer, plated metals)
2. Clorox Hydrogen Peroxide Disinfectant (EPA reg# 67619-24)(corrosion of metals, deterioration of upholstery and wood lacquer, leaves a hard-to-remove residue)
3. Virox Accel TB (EPA reg# 74559-1)(corrosion of metals, deterioration of upholstery and wood lacquer, leaves a hard-to-remove residue)
4. Clorox Healthcare Bleach Germicidal Cleaner (EPA reg# 56392-7)(deteriorates upholstery, wood lacquer, mild corrosion of metals, dissolves foam in pads)

OAKWORKS® does NOT recommend the use of cleaners/disinfectants containing Hydrogen Peroxide, Acetic Acid, or Phenolics. These chemicals can cause damage to the appearance and/or material integrity of various components. Also, while the recommended cleaners/disinfectants list includes products containing Quaternary Ammonium compounds ("quats"), not all products containing quats are approved for use. Some contain additional detergents and/or surfactants which can be detrimental to some materials.

A note on Bleach: While a 10% sodium hypochlorite (household bleach) solution (EPA reg# 5813-100 or equivalent) can be an effective disinfectant and is dilute enough to be benign to most materials, it alone is not an effective cleaner and a separate product must be used for the initial cleaning steps of the procedure. Because of possible chemical incompatibilities between various cleaning products and bleach, utmost care must be taken by the user to avoid potential exposure to harmful or toxic by-products of the combination. Also, because bleach leaves a potentially corrosive residue as it evaporates, it must be rinsed with clean water after disinfection. It is therefore NOT recommended by OAKWORKS®. Please note, one step cleaner/disinfectants using bleach and a detergent/ surfactant were found to damage materials and are NOT recommended.

### CLEANING PROCESS



#### DANGER

To reduce the risk of electric shock:

- Always unplug this furnishing from the electrical outlet before cleaning.

Follow the cleaners/disinfectant manufacturers' directions for use. Please note that cleaning and disinfecting an OAKWORKS® table is a two part process. First it must be cleaned of any visible soil, then it can be disinfected. The table should be cleaned as soon as possible after use. Please follow these procedures for best results:

1. Using a fresh wipe or wipes, clean any visible soil off of the table, working from the top to the bottom of the table.
2. Throw the used wipe(s) away.
3. Using a fresh wipe or wipes, thoroughly wipe all surfaces of the tabletop and any high-contact areas such as handles, handsets, etc., making sure they remain wet for the disinfectant manufacturer's recommended contact time.
4. Throw the used wipe(s) away and allow the table to dry.

### INSPECTIONS

RECOMMENDED REGULAR INSPECTIONS (monthly or local standard)

- Check for damage to the power, hand control(s) and foot control(s) on all cables.
- Visually inspect components for obvious damage that could cause problems during operation.

RECOMMENDED PERIODIC INSPECTIONS (yearly or local standard)

- Check for damage to the power, hands control and foot control cables and all visible wiring.
- Visually inspect components for obvious damage that could cause problems during operation.
- Check all mechanical functions using the hand control. Repeat using the foot control. Check for abnormal noises.
- Check that all fasteners are present and fastened securely.
- Check table grounding.
- Clean unusual buildup of dirt on the table and/or parts of the table not normally cleaned on a regular basis.
- Check for tears or cracks in the upholstery.

### WARRANTY

View complete warranty details at [www.masters.spatables.com/values](http://www.masters.spatables.com/values)

# MODEL NUMBER & SERIAL NUMBER

## PRODUCT LABEL LOCATION



The model number and serial number are located on the underside of the foot end of the table.

Model Number


Serial Number

Input Service

120V Models

230V Models

### Masters' Collection Tables



16796025 MIXX4R35ASH611USXXXSAGEAGIDPCXXDXX  
Ser#: MIS563146 07/18/2017 Order#:785461  
Maia, 4 Sect XX/4/R/3/5/A/SH/6/11/US/XXX  
AS Shade / Design Space: Euro Chic  
Notes: XXX

**INPUT SERVICE**  
120V~ 60Hz, 3.0 Amps  
PN: CN78733-1 Rev: 2

**ETL** US CONFORMS TO:  
UL STD 962  
Intertek Certified to  
3034177 CAN/CSA STD  
C22.2 No. 68-09

**EC REP** **CE**  
EMERGO EUROPE  
Prinsessegracht 201, 2414 AP,  
The Hague, The Netherlands

**OAKWORKS, INC.**  
923 East Wellspring Rd.  
New Freedom, PA 17349 USA  
Phone: 717-235-6807  
[www.oakworks.com](http://www.oakworks.com)

made in the USA  
with US & imported parts

**Duty Cycle:**  
MAX 2 minutes ON  
18 minutes OFF

Part No. CN70537-25 Rev. 5

Model Numbers and Serial Numbers always start with a letter.

For Model Number description, see next page.  
For electrical specs, see Specifications section.



## SPECIFICATIONS

### PRODUCT SPECIFICATIONS

Table Weights:	355-475 lbs. (161-216 kg.)
Shipping Weights:	405-525 lbs. (184-238 kg.)
Lifting Capacity	500 lbs. (227 kg.)

### ENVIRONMENTAL CONDITIONS

Conditions	Temperature	Humidity	Atmospheric Pressure
Normal Use	50° (10°C) to 104° (40°C)	20% to 60% RH	98 to 105 kPa
Storage & Transport	-20° (-29°C) to 135° (57°C)	20% to 95% RH	98 to 105 kPa

### 120 VOLT ELECTRICAL SPECIFICATIONS

Designed for:	Standard 4 Leg tables	Standard 2 Column tables	4 Leg tables with Warming Drawer or Outlets	2 Column tables with Warming Drawer or Outlets	All tables with Warming Drawer and Outlets
Input Service	120V~ 60Hz, 5.0 Amps	120V~ 60Hz, 3.0 Amps	120V~ 60Hz, 11.0 Amps	120V~ 60Hz, 9.0 Amps	120V~ 60Hz, 16.0 Amps
Plug Type(s)	- Type B Plug (NEMA 5-15)				- NEMA 5-20 Plug
Mode of Operation	10% Duty Cycle; MAX 2 minutes ON / 18 minutes off				

### 230 VOLT ELECTRICAL SPECIFICATIONS

Designed for:	Standard 4 Leg tables and 4 Leg Tables with Warming Drawer	Standard 2 Column tables and 2 Column Tables with Warming Drawer	All tables with Warming Drawer and outlets or tables with Outlets
Input Service	220-240V~ 50Hz, 5.0 Amps	220-240V~ 50Hz, 5.0 Amps	220-240V~ 50Hz, 5.0 Amps
Plug Type(s)	-Type B Plug (NEMA 5-15) -Type I Plug (AS/NZS 3112) -Type J Plug (SEV 1011) -Type F Plug (CEE 7) -Type G Plug (BS 1363) -Type D Plug (BS 546 5A) -Type M Plug (BS 546 15A)		
Mode of Operation	10% Duty Cycle; MAX 2 minutes ON / 18 minutes off		

## SPECIFICATIONS

---

### PRODUCT DISPOSAL

Disposal of the Masters' Collection Tables must be compliant with the applicable regulations and requirements of the local state environmental protection agency, state health agency, Centers for Disease Control (CDC), Occupational Safety and Health Administration (OSHA), U.S. Food and Drug Administration (FDA) as well as any other local authorities that apply to this product.

---

THIS PAGE IS INTENTIONALLY LEFT BLANK

# USER MANUAL

---

## OAKWORKS® Masters' Collection Tables

### CONTACT INFORMATION:

OAKWORKS® Inc.

923 East Wellspring Road  
New Freedom, PA 17349

Phone: 717-235-6807

FAX: 717-235-6798

[www.OAKWORKS.com](http://www.OAKWORKS.com)



EMERGO EUROPE  
Prinsessegracht 201  
2414 AP The Hague  
The Netherlands



**Intertek**

3034177

CONFORMS TO:  
UL STD 962  
Certified to CAN/CSA STD C22.2 #68

FCC Rules and Regulations, Title 47, Part 15, Subpart B, Class A. Unintentional Radiators.

NOTE: This equipment has been tested and found to comply with the limits for a Class A digital device, pursuant to part 15 of the FCC Rules. These limits are designed to provide reasonable protection against harmful interference when the equipment is operated in a commercial environment. This equipment generates, uses, and can radiate radio frequency energy and, if not installed and used in accordance with the instruction manual, may cause harmful interference to radio communications. Operation of this equipment in a residential area is likely to cause harmful interference in which case the user will be required to correct the interference at his own expense.

Original Instructions

Manual Part Number MMMNST0040-EN

Revision level: 4

Revision Date: 04/05/2018

English, Printed in USA



# OAKWORKS®