

# MONTANE TABLE LINE

Moving Rehabilitation Forward™



DJO is an ISO 13485 Certified Company

## User Manual

### 2 SECTION TABLES

- 3520 Tatra 2 Section 120V (2 wheels/2 legs)
- 3521 Tatra 2 Section 120V (4 wheels)
- 3522 Tatra 2 Section 230V (2 wheels/2 legs)
- 3523 Tatra 2 Section 230V (4 wheels)

### 3 SECTION TABLES

- 3530 Atlas 3 Section 120V (2 wheels/2 legs)
- 3531 Atlas 3 Section 120V (4 wheels)
- 3532 Atlas 3 Section 120V (Postural Drainage—2 wheels/2 legs)
- 3533 Atlas 3 Section 120V (Postural Drainage—4 wheels)
- 3535 Atlas 3 Section 230V (2 wheels/2 legs)
- 3536 Atlas 3 Section 230V (4 wheels)
- 3537 Atlas 3 Section 230V (Postural Drainage—2 wheels/2 legs)
- 3538 Atlas 3 Section 230V (Postural Drainage—4 wheels)

### 5 SECTION TABLES

- 3550 Alps 5 Section 120V (2 wheels/2 legs)
- 3551 Alps 5 Section 120V (4 wheels)
- 3552 Alps 5 Section 120V (Postural Drainage—2 wheels/2 legs)
- 3553 Alps 5 Section 120V (Postural Drainage—4 wheels)
- 3555 Alps 5 Section 230V (2 wheels/2 legs)
- 3556 Alps 5 Section 230V (4 wheels)
- 3557 Alps 5 Section 230V (Postural Drainage—2 wheels/2 legs)
- 3558 Alps 5 Section 230V (Postural Drainage—4 wheels)

### 7 SECTION TABLES

- 3570 Andes 7 Section 120V (2 wheels/2 legs)
- 3571 Andes 7 Section 120V (4 wheels)
- 3572 Andes 7 Section 120V (Postural Drainage—2 wheels/2 legs)
- 3573 Andes 7 Section 120V (Postural Drainage—4 wheels)
- 3575 Andes 7 Section 230V (2 wheels/2 legs)
- 3576 Andes 7 Section 230V (4 wheels)
- 3577 Andes 7 Section 230V (Postural Drainage—2 wheels/2 legs)
- 3578 Andes 7 Section 230V (Postural Drainage—4 wheels)

### EXAMINATION TABLES

- 3590 Dolomites 2 Section 120V Examination
- 3591 Dolomites 2 Section 120V Examination
- 3592 Dolomites 2 Section 230V Examination
- 3593 Dolomites 2 Section 230V Examination

### BOBATH TABLES

- 3580 Taurus 1 Section 120V (4 Wheels)
- 3581 Taurus 2 Section 120V (4 Wheels)
- 3582 Taurus 1 Section 230V (4 Wheels)
- 3583 Taurus 2 Section 230V (4 Wheels)

# TABLE OF CONTENTS

---

<b>1. FOREWORD</b> .....	<b>1</b>	<b>5. SPECIFICATIONS</b> .....	<b>16</b>
Product Description .....	1	Table Specifications.....	16
<b>2. PRECAUTIONS</b> .....	<b>2</b>	<b>6. TECHNICAL SPECIFICATIONS</b> .....	<b>19</b>
Safety Precautions.....	5	Electromagnetic Compatibility Tables.....	19
<b>3. MONTANE TABLE LINE</b> .....	<b>7</b>	<b>7. SETUP</b> .....	<b>23</b>
Tatras 2 Section Table.....	7	Contents of the Carton .....	23
Atlas 3 Section Table.....	8	<b>8. OPERATION</b> .....	<b>25</b>
Alps 5 Section Table .....	9	Relocating the Table.....	25
Andes 7 Section Table .....	10	Adjusting the Table.....	26
Dolomites 2 Section Examination Table.....	11	Adjusting Table Sections .....	27
Taurus 1 Section Bobath Table .....	12	<b>9. MAINTENANCE</b> .....	<b>28</b>
Taurus 2 Section Bobath Table .....	13	Cleaning the Upholstery .....	28
<b>3. DESIGN AND FUNCTION</b> .....	<b>14</b>	Lubricating Points .....	29
Components of the Montane Table.....	14	Checking the Gas Springs (Struts) .....	29
Accessories and Auxiliary Equipment .....	14	Periodic Check of Electrical Safety .....	29
<b>4. NOMENCLATURE</b> .....	<b>15</b>	Service .....	29
Description of Device Markings .....	15	<b>10. WARRANTY</b> .....	<b>30</b>

This manual has been written for the owners and operators of the Montane Table Line. It contains general instructions for operation, precautionary instructions, and maintenance recommendations. In order to obtain maximum life and efficiency from your Montane Table, and to assist in the proper operation of the unit, read and understand this manual thoroughly.

The specifications put forth in this manual were in effect at the time of the publication. However, owing to DJO, LLC's policy of continuous improvement, changes to these specifications may be made at any time without obligation on the part of DJO, LLC. Before administering any treatment to a patient, you should become acquainted with the operating procedures, as well as the cautions, warnings, and dangers. Consult other resources for additional information regarding the application of physiotherapy.

## Product Description

The Montane Tables were designed specifically for the purpose of aiding in the administration of manual therapy techniques and physiotherapy. Enhanced with a boomerang mechanism base, Montane Tables provide a smooth, vertical lift while maintaining a stable surface for the patient.

	Head Section Articulates Up	Head Section Articulates Down	Optional Postural Drainage	Foot Section Articulates Up
Tatras 2 Section	40	70	NA	NA
Atlas 3 Section	40	70	30	85
Alps 5 Section	40	70	30	85
Andes 7 Section	40	70	30	85
Dolomites 2 Section Examination	85	20	NA	NA
Taurus 1 Bobath	NA	NA	NA	NA
Taurus 2 Bobath	75	NA	NA	NA

Comfortable seated patient positioning can be achieved with the use of the articulating table sections.

**This equipment is to be used only under the prescription and supervision of a licensed practitioner.**

© 2011 DJO, LLC Vista, California, USA. Any use of editorial, pictorial, or layout composition of this publication without express written consent from DJO, LLC is strictly prohibited. This publication was written, illustrated, and prepared for distribution by DJO, LLC.

# PRECAUTIONS

## PRECAUTIONARY INSTRUCTIONS

The precautionary instructions found in this section and throughout this manual are indicated by specific symbols. Understand these symbols and their definitions before operating this equipment. The definitions of these symbols are as follows:



### CAUTION

Text with a "CAUTION" indicator will explain possible safety infractions that could have the potential to cause minor to moderate injury or damage to equipment.



### WARNING

Text with a "WARNING" indicator will explain possible safety infractions that will potentially cause serious injury and equipment damage.



### DANGER

Text with a "DANGER" indicator will explain possible safety infractions that are imminently hazardous situations that would result in death or serious injury.



### BIOHAZARD

Text with a "BIOHAZARD" indicator will explain possible safety infractions that could cause bio-hazardous conditions if the table is not properly cleaned after each use.

### NOTE

Throughout this manual "NOTE" may be found. These notes are helpful information to aid in the particular area or function being described.

## **CAUTION**

- Read, understand, and practice the precautionary and operating instructions found in this manual. Know the limitations and hazards associated with your treatment table. Observe any and all precautionary and operational decals placed on the unit.
- DO NOT operate this table in an environment where other devices are being used that intentionally radiate electromagnetic energy in an unshielded manner. Portable and mobile RF communications equipment can affect Medical Electrical Equipment.
- This table generates, uses, and can radiate radio frequency energy and, if not installed and used in accordance with the instructions, may cause harmful interference to other devices in the vicinity. However, there is no guarantee that interference will not occur in a particular installation. Harmful interference to other devices can be determined by turning this table on and off. Try to correct the interference using one or more of the following: reorient or relocate the receiving device, increase the separation between the equipment, connect the table to an outlet on a different circuit from that which the other device(s) are connected, and consult the DJO, LLC Service Department for help.
- Keep table out of high moisture environments.
- This table should be operated, transported, and stored in temperatures between -10° C to + 45° C, with max humidity of 75% (no precipitation).
- Do not exceed table weight capacity of 150 kg (330 lbs).
- Support the table section(s) when making any adjustments.

## **CAUTION**

- Do not transport the table over rough or outdoor surfaces. The retractable caster system could become damaged and inoperable.
- Inspect cables, connectors and casters before each use.
- A licensed practitioner must be familiar with all instructions contained in this manual before administering therapy.

## **WARNING**

- **CAUTION:** Federal law restricts this table to sale by, or on the order of, a licensed practitioner.
- The Montane Table Range should not be used adjacent to or stacked with other equipment, and if adjacent or stacked use is necessary, the table should be observed to verify normal operation in the configuration in which it will be used.
- Do not leave the table unlocked and unattended at any time.
- Disconnect the table from the power source before attempting any maintenance, installation, removal or replacement procedures to prevent electrical shock and possible damage to the table.
- Do not sit or allow patients to sit on the head or wing sections of the table.

## **WARNING**

- Never place your hands and feet near the working mechanism of the table when making any and all adjustments to height or table sections. Moving parts could cause pinch points.
- Use only accessories that are specially designed for the Montane Table Line. Do not use accessories manufactured by other companies on the Montane Table Line. DJO is not responsible for any consequence resulting from using products manufactured by other companies. The use of other accessories or cables may result in increased emissions or decreased immunity of the Montane Table.
- When making adjustments to the table sections, make certain the patient weight is supported before adjusting.
- Never transport a patient on the Montane Table. These tables are not designed to support a patient during transport.
- This device should be kept out of the reach of children.
- Do not smoke on or around the table.
- Do not allow any unsupervised patient access to the table.
- The casters should be locked before the loading or unloading of a patient. Do not reposition or allow the patient to get on or off the table while the casters are unlocked.
- This table should only be operated under the prescription and supervision of a licensed medical practitioner that is familiar with the precautionary measures and operational functions associated with the table being used.

## **WARNING**

- On rare occasions, use of the table can result in transient skin reactions such as rash, inflammation or irritation. These skin reactions may be the result of individual sensitivity to the mild antibacterial cleaning materials used on the table or the material of the table cushions. Advise the patient of this possibility before starting treatment. If a visible skin reaction does occur, discontinue patient treatment and consult the prescribing physician.
- Should the Montane Table Mains Power Cord become frayed/damaged or if a caster is broken, immediately stop use of the table and contact the Dealer or DJO for service.

## **DANGER**



- Do not allow any person, object, or device to be under the table while the table is in operation.
- Always clean the table after each use with a soft cloth dampened with water and a mild antibacterial detergent. Do not use abrasive cleansers.



## CAUTION

Do not overload Montane Table. **Patient weight may not exceed 150 kg.**

In case the electrical system or the actuator cover comes in contact with liquid of any kind, immediately pull the power supply plug out of the mains socket and contact the manufacturer's service department.

Protect electrical systems from contact with liquids (e.g. beverages, water, cleaning and disinfection preparations).

Do not put a load on the head and foot sections as shown below.



Do not sit on the movable elements of the head and chest sections!



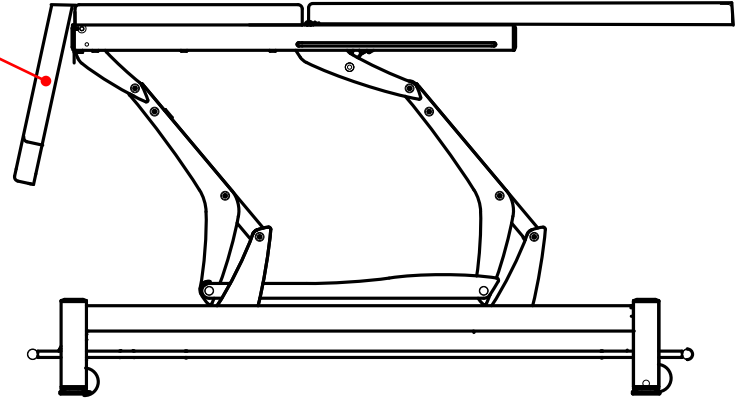
## CAUTION

Do not lower the table with its front section folded down!

Lowering the table to the lowest possible position while its head section is deflected or in the down position may cause a collision between the head section and the lower frame elements.

This can result in blocking the height adjustment mechanism.

Permanent and irreversible damage to the structure of the table may occur!



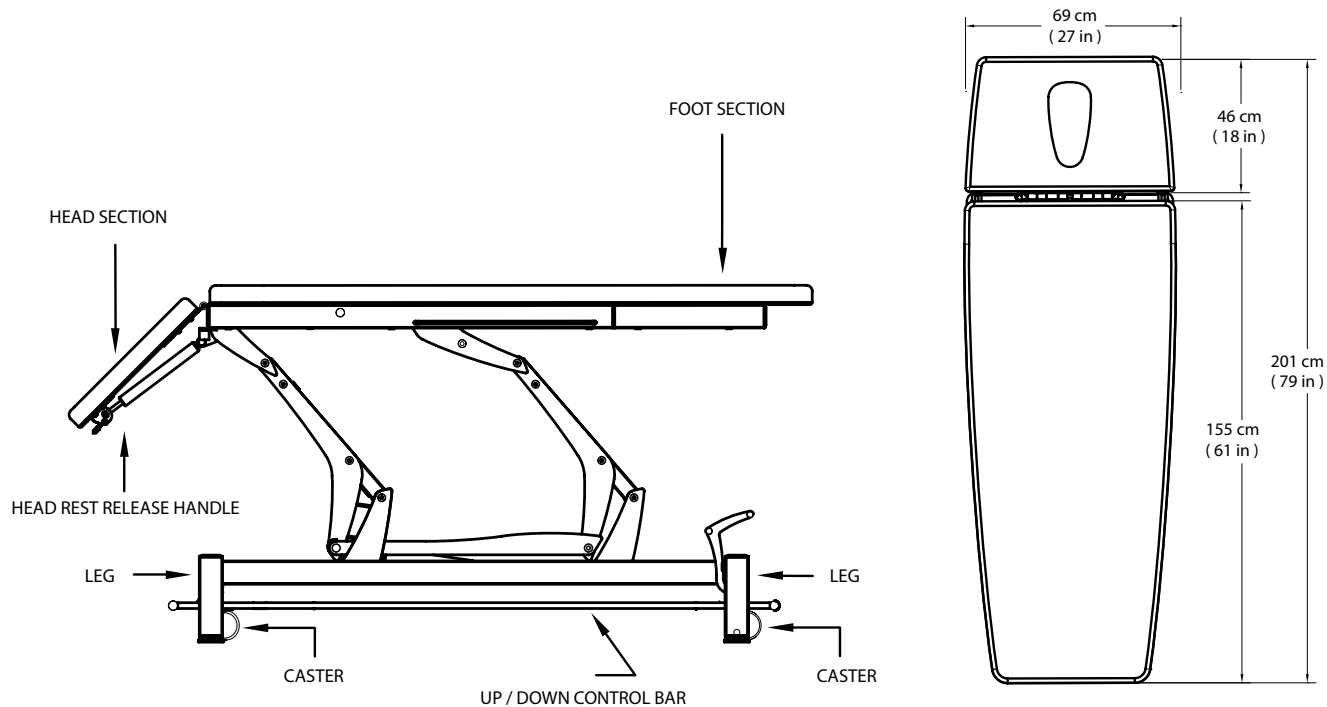
The manufacturer shall not assume liability for damages resulting from improper (not compliant with conditions provided in this Operation Manual) use of the Montane Table Line.



# MONTANE TABLE LINE

Montane Table Line

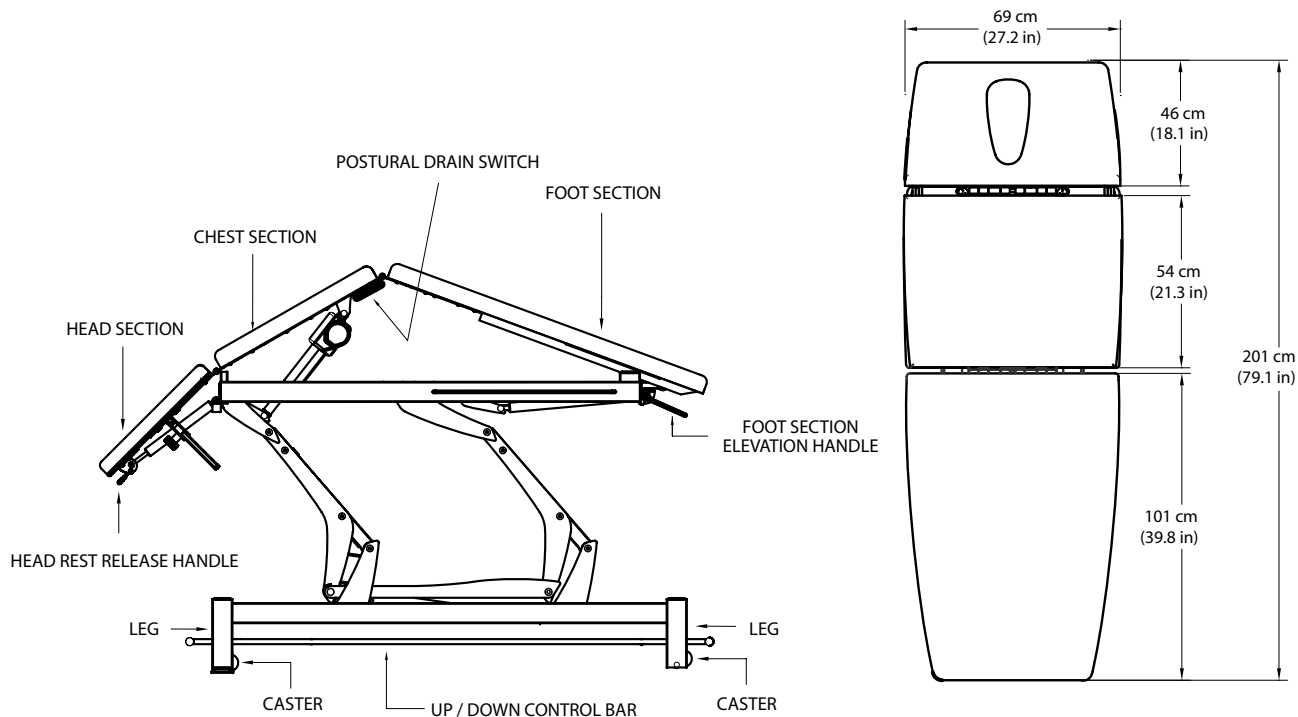
## TATRAS 2 SECTION TABLE



# MONTANE TABLE LINE

Montane Table Line

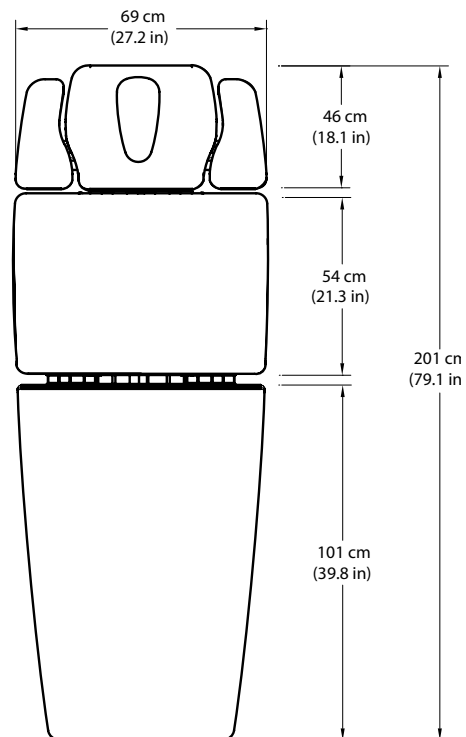
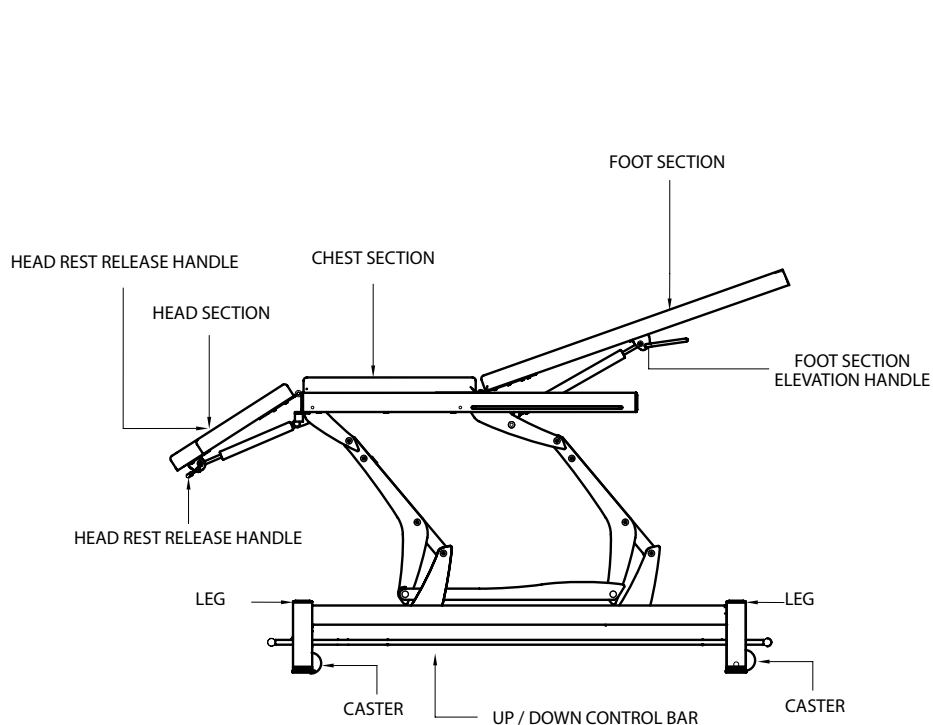
## ATLAS 3 SECTION TABLE



# MONTANE TABLE LINE

Montane Table Line

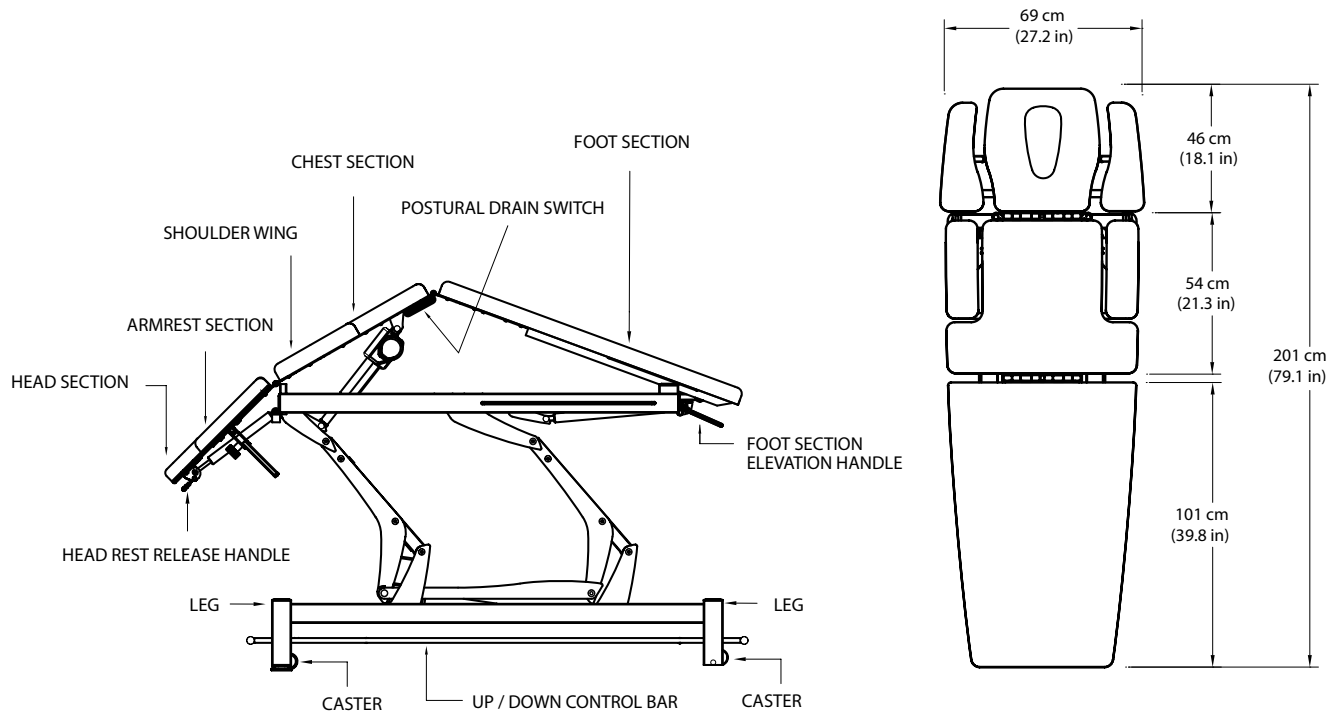
## ALPS 5 SECTION TABLE



# MONTANE TABLE LINE

Montane Table Line

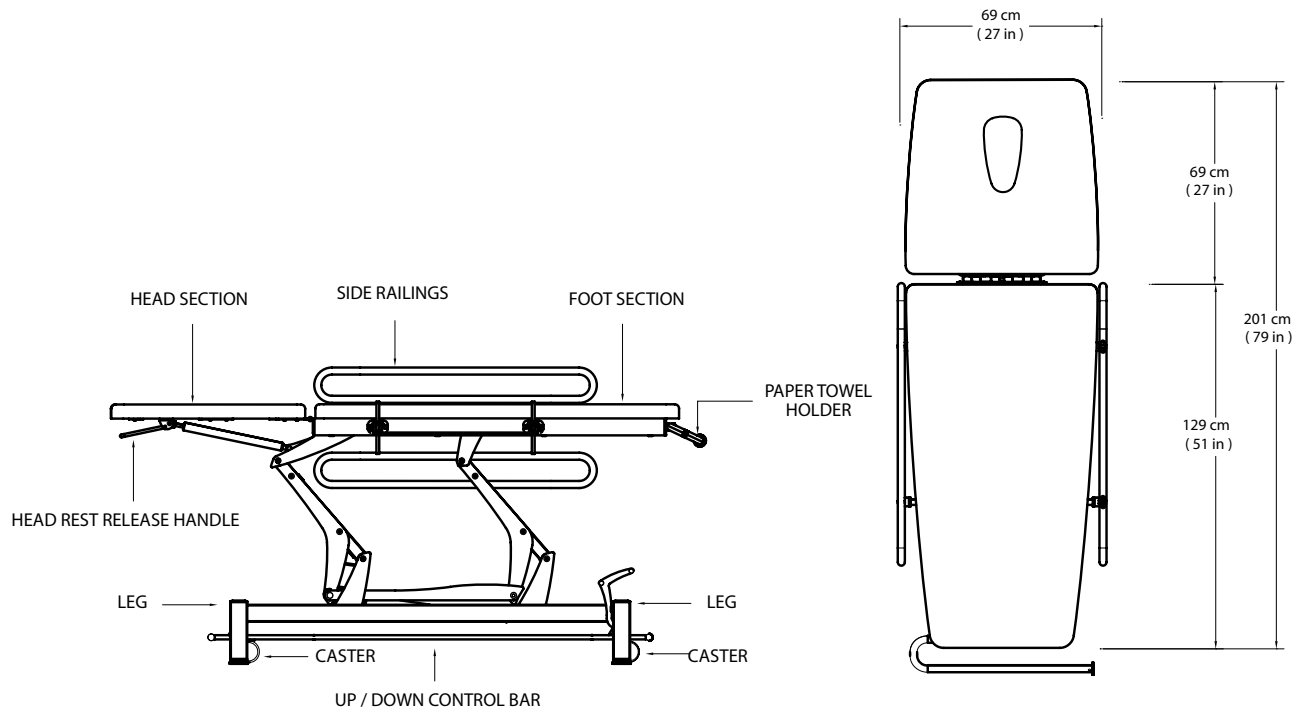
## ANDES 7 SECTION TABLE



# MONTANE TABLE LINE

Montane Table Line

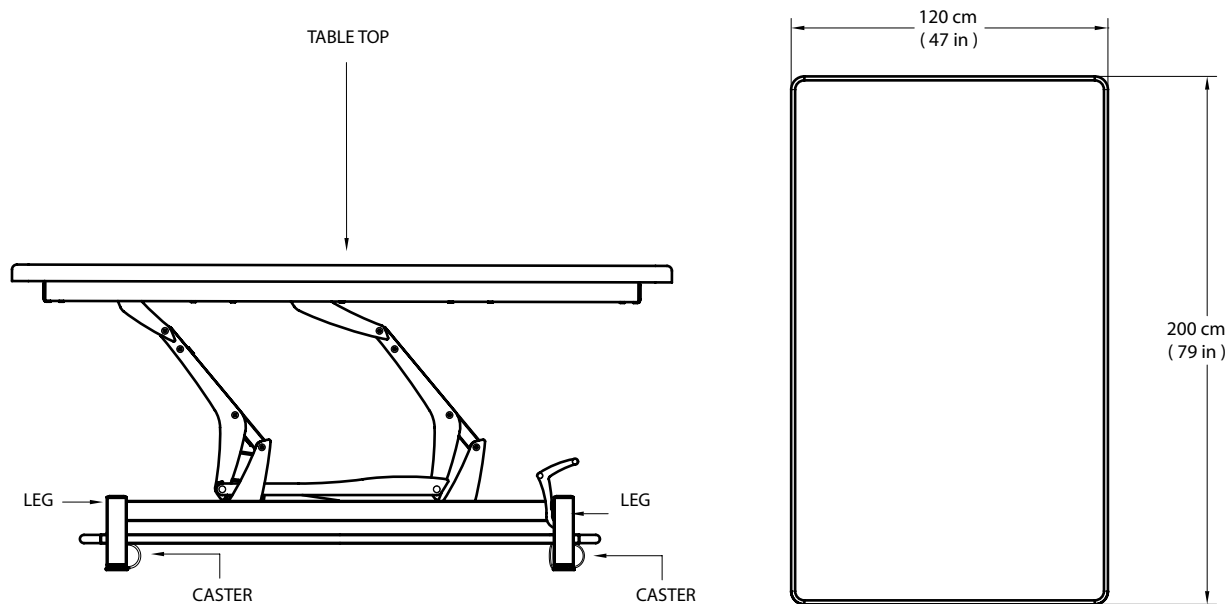
## DOLOMITES 2 SECTION EXAMINATION TABLE



# MONTANE TABLE LINE

Montane Table Line

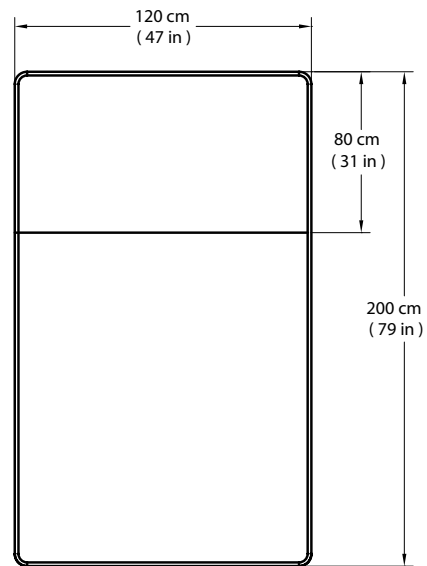
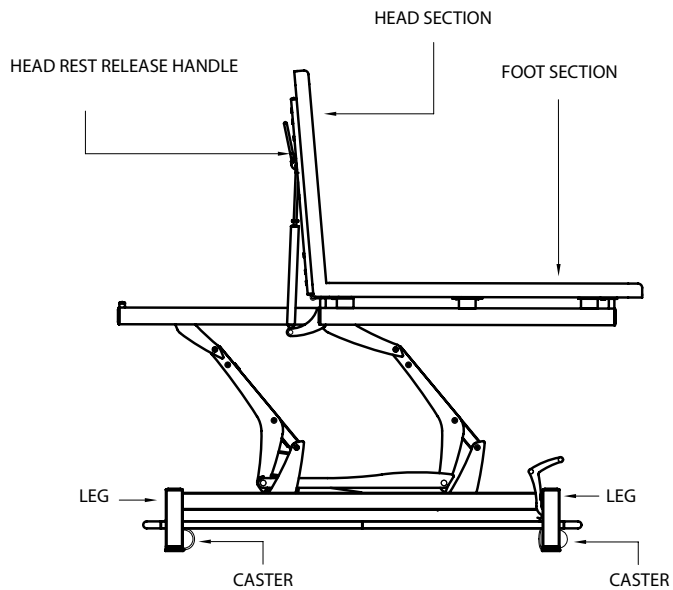
## TAURUS 1 SECTION BOBATH TABLE



# MONTANE TABLE LINE

Montane Table Line

## TAURUS 2 SECTION BOBATH TABLE



# DESIGN AND FUNCTION

Montane Table Line

## COMPONENTS OF THE MONTANE TABLE

The frame of the table is made of welded steel sections coated with powder paint. It includes the following components:



1. **Bottom Frame**—A support base for the whole unit with a foot-operated height adjustment switch assembly
  - 2 Wheels/2 Legs: With two small wheels and two legs
  - 4 Wheels: With four legs and four casters lifted by means of a foot-operated lever
2. **Upper Frame**—A base for the table top, with an electric actuator for height adjustment
3. **Table Top**—Allows patients to assume comfortable position for the treatment with the possibility of manual adjustment of elevation and depression angles of the head, chest, and/or foot sections (depending on the type of table)
4. **Front/Head Section**—With angle adjustment and a breathing hole

## ACCESSORIES AND AUXILIARY EQUIPMENT

Each type of table is provided with a breathing opening in its head section and has rails for fastening the stabilizing belts in the foot sections.



# NOMENCLATURE

## DESCRIPTION OF DEVICE MARKINGS

The markings on the Montane Table Line are assurance of its conformity to the highest applicable standards of medical equipment safety and electromagnetic compatibility. One or more of the following markings may appear on the device:



Meets Directive  
93/42/EEC



Intertek

Certified to CAN/CSA  
Standard C22.2  
No. 601.1-M90w/A2

Warning: Pinch Point



Consult Instructions For Use



Type B Applied Part



Prescription Only



Class II Equipment



Postural Drain Elevation

DOWN



UP









**Council Directive 2002/96/EC concerning  
Waste Electrical and Electronic (WEEE).  
Indicates a requirement not to dispose of  
WEEE as municipal waste. Contact your  
local distributor for information regarding  
disposal of the unit and accessories.**



# SPECIFICATIONS

Montane Table Line

## TABLE SPECIFICATIONS

Parameter	100V	120V	230V
Voltage Frequency:	60 Hz	60 Hz	50 Hz
Current Consumption:	2.3 A	1.9 A	1.0 A
Fuses:	None	None	None
Duty Cycle:	2 minutes "on"/18 minutes "off"	2 minutes "on"/18 minutes "off"	2 minutes "on"/18 minutes "off"
Weight (with cushions):	110 kg (242 lbs)	110 kg (242 lbs)	110 kg (242 lbs)
Lifting Capacity:	150 kg (330 lbs)	150 kg (330 lbs)	150 kg (330 lbs)
Table Length (Head to Toe):	201 cm (79 in)	201 cm (79 in)	201 cm (79 in)
Table Height	49 - 101 cm (19 - 40 in)	49 - 101 cm (19 - 40 in)	49 - 101 cm (19 - 40 in)
Electrical Safety Classification Functionally Earthed	Class II 	Class II 	Class II 
Electrical Type:	Type B 	Type B 	Type B 

# SPECIFICATIONS

Montane Table Line

## TABLE SPECIFICATIONS

Technical Parameters of Montane Table Line

Technical Data		Montane Table Line						
		Tatras	Atlas	Alps	Andes	Atlas PD	Alps PD	Andes PD
Length of the Table Top [cm]	Head Section	46	46	46	46	46	46	46
	Chest Section	-	54	54	54	54	54	54
	Foot Section	155	101	101	101	101	101	101
	Total	201						
Angle Adjustment (Elevation: Depression) [Degrees]	Head Section	40:70	40:70	40:70	40:70	40:70	40:70	40:70
	Chest Section					30:00	30:00	30:00
	Foot Section		85:0	85:0	85:0	85:30	85:30	85:30
Height Adjustment [cm]	Minimum	49						
	Maximum	97, ..., 101						

(continued)

# SPECIFICATIONS

Montane Table Line

TABLE SPECIFICATIONS – (continued)

Technical Data		Montane Table Line					
		Tatras	Atlas	Alps	Andes	Atlas PD	Alps PD
Width of the Table [cm]		Approx. 69					
Max Load [kg]	Not More Than	150					
Weight [kg]	Not More Than	110					
Power Supply and Electrical Security of the Actuator	Supply Voltage	230 VAC/50 Hz, 120 VAC/60 Hz, 100 VAC/60 Hz					
	Power Consumption	max. 120 W			max. 160 W		
	Protection Class	II					
	Protection Level	IP54					
Ambient conditions (relative temperature, humidity, air pressure)	Work	+10°C to +40°C, 30% to 75% (no precipitation), 700-1060 hPa					
	Storage	+5°C to +45°C, max 75% (no precipitation), 700-1060 hPa					
	Transport	-10°C to +45°C, 20% to 95% (no precipitation), 700-1060 hPa					

# TECHNICAL SPECIFICATIONS

**TABLE 1: GUIDANCE AND MANUFACTURER'S DECLARATION – ELECTROMAGNETIC EMISSIONS**

The Montane Tables are intended for use in the electromagnetic environment specified below. The customer or the user of the Montane Tables should assure that it is used in such an environment.

Emission Tests	Compliance	Electromagnetic Environment - Guidance
Harmonic emissions IEC 61000-3-2	Class B	The Montane Tables are suitable for use in all establishments, including domestic establishments and those directly connected to the public low-voltage power supply network that supplies buildings used for domestic purposes.
Voltage fluctuations IEC 61000-3-3	Complies	The Montane Tables are suitable for use in all establishments, including domestic establishments and those directly connected to the public low-voltage power supply network that supplies buildings used for domestic purposes.


**TABLE 2 & 3: GUIDANCE AND MANUFACTURER'S DECLARATION– ELECTROMAGNETIC IMMUNITY**

The Montane Tables are intended for use in the electromagnetic environment specified below. The customer or the user of the Montane Tables should assure that it is used in such an environment.

Immunity Test	IEC 60601 Test Level	Compliance Level	Electromagnetic Environment - Guidance
			Portable and mobile RF communications equipment should be used no closer to any part of the Montane Tables, including cables, than the recommended separation distance calculated from the equation applicable to the frequency of the transmitter.
			<b>Recommended Separation Distance:</b>
Conducted RF IEC 61000-4-6	3 Vrms 150 kHz to 80 MHz	Not Applicable	$d = \frac{[3.5] \sqrt{P}}{V_1}$
Radiated RF IEC 61000-4-3	3 V/m 80 MHz to 2.5 GHz	Not Applicable	$d = \frac{[3.5] \sqrt{P}}{E_1}$ 80 MHz to 800 MHz $d = \frac{[7] \sqrt{P}}{E_1}$ 800 MHz to 2.5 GHz

# TECHNICAL SPECIFICATIONS

**TABLE 2 & 3: GUIDANCE AND MANUFACTURER'S DECLARATION – ELECTROMAGNETIC IMMUNITY – (continued)**

Immunity Test	IEC 60601 Test Level	Compliance Level	Electromagnetic Environment - Guidance
			<p>where <math>P</math> is the maximum output power rating of the transmitter in watts (W) according to the transmitter manufacturer and <math>d</math> is the recommended separation distance in meters (m).</p> <p>Field strengths from fixed RF transmitters, as determined by an electromagnetic site surveys, should be less than the compliance level in each frequency range <sup>b</sup>.</p> <p>Interference may occur in the vicinity of equipment marked with the following symbol: </p>

**NOTE 1:** At 80 MHz and 800 MHz, the higher frequency range applies.

**NOTE 2:** These guidelines may not apply in all situations. Electromagnetic propagation is affected by absorption and reflection from structures, objects and people.

**a** Field strengths from fixed transmitters, such as base stations for radio (cellular/cordless) telephones and land mobile radios, amateur radio, AM and FM radio broadcast and TV broadcast cannot be predicted theoretically with accuracy. To assess the electromagnetic environment due to fixed RF transmitters, an electromagnetic site survey should be considered. If the measured field strength in the location in which the Montane Tables are used exceeds the applicable RF compliance level above, the Montane Tables should be observed to verify normal operation. If abnormal performance is observed, additional measures may be necessary, such as reorienting or relocating the Montane Tables.

**b** Over the frequency range 150 kHz to 80 MHz, field strengths should be less than 3 V/m.

Immunity Test	IEC 60601 Test Level	Compliance Level	Electromagnetic Environment - Guidance
Electrostatic discharge (ESD) IEC 61000-4-2	±6 kV contact ±8 kV air	±6 kV contact ±8 kV air	Floors should be wood, concrete, or ceramic tile. If floors are covered with synthetic material, the relative humidity should be at least 30%.
Electrical fast transient/burst IEC 61000-4-4	±2 kV for power supply lines ±1 kV for input/output lines	±2 kV for power supply lines ±1 kV for input/output lines	Mains power quality should be that of a typical commercial or hospital environment.
Surge (1) IEC 61000-4-5	±1 kV differential mode ±2 kV common mode	±1 kV differential mode ±2 kV common mode	Mains power quality should be that of a typical commercial or hospital environment.

# TECHNICAL SPECIFICATIONS

**TABLE 2 & 3: GUIDANCE AND MANUFACTURER'S DECLARATION – ELECTROMAGNETIC IMMUNITY – (continued)**

Immunity Test	IEC 60601 Test Level	Compliance Level	Electromagnetic Environment - Guidance
Voltage dips, short interruptions and voltage variations on power supply input lines IEC 61000-4-11	<5% UT (>95% dip in UT) for 0.5 cycle 40% UT (60% dip in UT) for 5 cycles 70% UT (30% dip in UT) for 25 cycles <5% UT (>95% dip in UT) for 5 sec	<5% UT (>95% dip in UT) for 0.5 cycle 40% UT (60% dip in UT) for 5 cycles 70% UT (30% dip in UT) for 25 cycles <5% UT (>95% dip in UT) for 5 sec	Mains power quality should be that of a typical commercial or hospital environment. If the user of the Montane Tables require continued operation during power mains interruptions, it is recommended that the Montane Tables be powered from an uninterruptible power supply or a battery.
Power frequency (50/60Hz) magnetic field IEC 61000-4-8	3 A/m	Not Applicable	Power frequency magnetic fields should be at levels characteristic of a typical location in a typical commercial or hospital environment.

**NOTE:**  $U_T$  is the a.c. mains voltage prior to application of the test level.

**NOTE:(1)** These results apply to the 230 Vac Power Supply.

**TABLE 4: RECOMMENDED SEPARATION DISTANCES BETWEEN PORTABLE AND MOBILE RF COMMUNICATIONS EQUIPMENT AND THE MONTANE TABLES**

The Montane Tables are intended for use in an electromagnetic environment in which radiated RF disturbances are controlled. The customer or the user of the Montane Tables can help prevent electromagnetic interference by maintaining a minimum distance between portable and mobile RF communications equipment (transmitters) and the Montane Tables as recommended below.

Rated Maximum Output Power of Transmitter  W	Separation Distance According to Frequency of Transmitter  m		
	150 kHz to 80 MHz  $d = \frac{[3.5]\sqrt{P}}{V_1}$	80 MHz to 800 MHz  $d = \frac{[3.5]\sqrt{P}}{E_1}$	800 MHz to 2.5 GHz  $d = \frac{[Z]\sqrt{P}}{E_1}$
0.01	0.12	0.12	0.23
0.1	0.38	0.38	0.73
1	1.2	1.2	2.3
10	3.8	3.8	7.3
100	12	12	23

For transmitters rated at a maximum output power not listed above, the recommended separation distance **d** in meters (m) can be estimated using the equation applicable to the frequency of the transmitter, where **P** is the maximum output power rating of the transmitter in watts (W) according to the transmitter manufacturer.

**NOTE 1:** At 80 MHz and 800 MHz, the separation distance for the higher frequency range applies.

**NOTE 2:** These guidelines may not apply in all situations. Electromagnetic propagation is affected by absorption and reflection from structures, objects, and people.



## CONTENTS OF CARTON

After removing top and side panels of shipping carton, you may notice metal bands or plastic straps. These are used to secure various sections of the table and must be removed before the table can be lifted out. The table must be lifted directly upward in order to clear all shipping restraints.

Detach the table from the crate by cutting the tie-straps and unwrap.

Remove the additional materials from the carton.

Visually inspect the table and Elevation Lever for damage. Report any damage to the carrier immediately.

**A MINIMUM OF TWO PEOPLE WILL BE REQUIRED TO LIFT AND MOVE THE TABLE. TABLE SHOULD BE LIFTED BY THE BASE FRAME.**



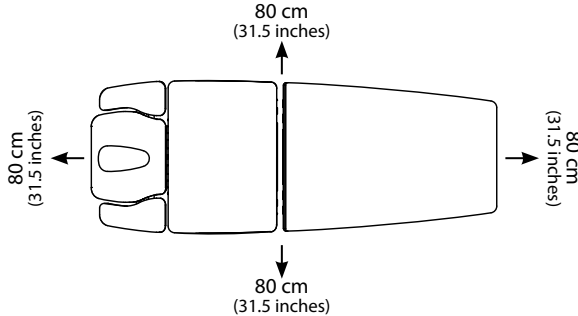
## **WARNING**

- Carefully remove the box from around the table and cushions. If a knife is used to open the box, use caution so as not to cause damage to the cushions.
- Do not lift the table by the Head Section or under the foot pedals on each end.

## Contents of Carton:

- Montane Table
- CD User Manual

1. Select the place for the use of the table with a minimum of 80 cm (31.5 inches) of clearance on each side of the unit.



Recommended Positioning of the Table

## CAUTION

When positioning or repositioning the table, pay special attention to ensure that there are not any objects below the lower frame of the table. Always safeguard against uncontrolled access of children or animals to the table or its location.

Unplug the table from the mains socket while performing maintenance, servicing or similar actions under the table.

2. A 230 VAC/50 Hz, 120 VAC/60 Hz, 100 VAC/60 Hz power supply connection must be available in the vicinity of the table.

## CAUTION

When connecting the electrical power supply cable, make sure to protect it from accidental pinch points between moving parts of the table. The electrical power supply cable should be laid in such a manner so as to prevent the patient or the practitioner from tripping on it.

3. After placing the table at its destination, unpack the unit from protective film and insert the power cable plug in the 230 VAC/50 Hz, 120 VAC/60 Hz, 100 VAC/60 Hz mains socket. The table is ready for use.

## CAUTION

Do not use the table in rooms with high relative air humidity (especially in rooms meant for hydro-therapeutic treatments).

## RELOCATING THE TABLE

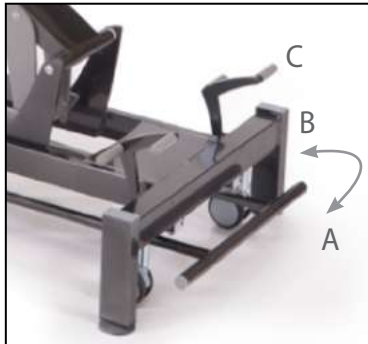
### Moving the Table

1. The Montane Table with the optional 4 caster system includes a foot lever (see C in Figure 3) which can be set in two positions:

**Work (A)** – With the table resting on its feet, which can be adjusted for leveling (by screwing the foot in and out) caster should be approximately 0.5 cm above the floor (including possible unevenness).

**Transport (B)** – With the table resting on 4 casters enabling it to be transported.

- A – Work
- B – Transport
- C – Lift Lever



**Figure 3**  
**Moving the**  
**Montane Table**



- Never transport a patient on the Montane Table. This table is not designed to support a patient during transport.
2. The 2 wheel / 2 leg frame type has two feet at the head rest side of the table and two wheels at the foot side of the table. The table can be moved about by lifting it by the head rest (be careful not to press the strut level!) and transport the table using the two wheels on the foot side.

# OPERATION

## ADJUSTING THE TABLE

The height adjustment is done by means of a foot-controlled frame located at the bottom of the table. To lift the table, push the foot controller frame in the direction of the head rest (marked as B in the picture below). To lower it, push the foot controller frame in the direction of the leg rest (marked as A in the same picture). The table will continue to rise or fall as long as the foot controller frame is kept in its left-most or right-most position. The actuator switches off automatically when the table reaches its minimum or maximum position.

In order to change the elevation/depression angle of the front (rear) section of the table, pull the handle of the gas spring lock to disengage it (see Figure 4 – item C), set the required position of the section and release the handle to lock the spring again.

Figure 4 – Controlling Elements of the Montane Table



# OPERATION

Montane Table Line

## ADJUSTING TABLE SECTIONS

Adjusting the Postural Drainage  
Press the Postural Drainage Switch (located on both sides of the unit) to raise the Chest and Back Sections to the desired angle for Postural Drainage (illustration below).

### CAUTION

Before using postural drainage function, bolsters if being used, should be removed from mounting holes in front and middle section of table.

### WARNING

- When making adjustments to the table sections, make certain the patient is removed before adjusting.
- Never place your hands or feet near the working mechanism of the table when making any and all adjustments to height or table sections. Moving parts could cause pinch points.



## CLEANING THE UPHOLSTERY



### CAUTION

We recommend to clean and/or disinfect the upholstered surfaces and other parts of the tables after each use to ensure proper hygiene level.

1. Clean and maintain the upholstery surfaces in the following way:
  - clean regularly with warm water and mild detergent (e.g. soap) solution using a soft cloth (do not use abrasive cleansers).
  - rub the more heavily-stained areas with a soft, damp brush
  - after cleaning, wipe dry with a soft cloth
  - in case the surface has been stained with ball point pen, lipstick, printing ink, etc., remove the stain immediately by rubbing it with a soft cloth
2. Avoid extensive wetting of the surface of the table
3. Disinfect the upholstery and other surfaces using a mild anti-bacterial detergent

4. Never use:
  - cleaning paste, wax, sprays
  - strong detergents, solvents and cleaning agents containing solvents, cleaning preparations for natural leather.

**Use of such preparations may cause stiffening and breakages of the cover material as well as adverse change of the glossy finish of the upholstery surface which is not covered by the warranty!**

5. Sterilization with the use of the UV rays does not affect the surface of the upholstery.



### CAUTION

Before cleaning the table, make sure that the electrical power supply cable has been disconnected from the power supply in the room.

## LUBRICATING POINTS

1. Clean the metal parts with a soft, damp sponge. Wipe the parts dry immediately after cleaning.
2. All movable joints must be lubricated every six months or when experiencing squeaks or other noise. We recommend using any available aftermarket lubricants. Protect the upholstered parts from contact with the lubricants and remove any excess amounts or leaks of these with a dry cloth.
3. Check the threaded joints periodically every six months and remove loose connections with a Phillips screwdriver, hex keys (no 4, 5 and 6) and flat spanners (10 and 27 mm). Report all loose connections that cannot be removed to the manufacturer's authorized service and stop using the table until the cause of the problem is resolved.

## CHECKING THE GAS SPRINGS (STRUTS)

Montane tables are equipped with gas springs for easy adjustment of the front section inclination angle. To ensure proper performance of the gas springs, check the springs visually for leaks every 3 months. Any perceived performance deficiency or leak must be reported to DJO for technical service immediately.

## PERIODIC CHECK OF ELECTRICAL SAFETY

An electrical safety check should be performed in accordance with local or country requirements.

## SERVICE

Should the Montane Tables require service, warranty or repair, please contact the selling dealer or your local DJO Customer Service.

*EU Directive on Waste Electrical and Electronic Equipment (WEEE) ensures that product is appropriately disposed of or recycled at the end of its life.*



# WARRANTY

*Montane Table Line*

DJO, LLC ("Company"), warrants that the Montane Tables ("Products") are free of defects in material and workmanship. This warranty shall remain in effect for two years (24 months) for the cushions and three years (36 months) for the base frame and motor from the date of original consumer purchase. If this Product fails to function during the warranty period due to a defect in material or workmanship, at the Company's option, the Company or selling dealer will repair or replace this Product without charge within a period of thirty days from the date on which the Product is returned to the Company or the dealer.

All repairs to the Product must be performed by a service center certified by the Company. Any modifications or repairs performed by unauthorized centers or groups will void this warranty.

## **This Warranty Does Not Cover:**

- Replacement parts or labor furnished by anyone other than the Company, the selling dealer, or a service technician certified by the Company.
- Defects or damage caused by labor furnished by someone other than Company, the selling dealer, or a certified Company service technician.
- Any malfunction or failure in the Product caused by product misuse, including, but not limited to, the failure to provide reasonable and required maintenance or any use that is inconsistent with the Product User Manual.

DJO, LLC is not responsible for injury or damage resulting from modifications or service performed by non-authorized DJO, LLC service personnel.

## **COMPANY SHALL NOT BE LIABLE IN ANY EVENT FOR INCIDENTAL OR CONSEQUENTIAL DAMAGES.**

Some locations do not allow the exclusion or limitation of incidental or consequential damages, so the above limitation or exclusion may not apply to you. To obtain service from Company or the selling dealer under this warranty:

1. A written claim must be made within the warranty period to the Company or the selling dealer.
2. The Product must be returned to the Company or the selling dealer by the owner.

This warranty gives you specific, legal rights and you may also have other rights which vary from location to location.

The Company does not authorize any person or representative to create for it any other obligation or liability in connection with the sale of the Product. Any representation or agreement not contained in the warranty shall be void and of no effect.

**THE FOREGOING WARRANTY IS IN LIEU OF ALL OTHER WARRANTIES, EXPRESSED OR IMPLIED, INCLUDING ANY WARRANTY OR MERCHANTABILITY OR FITNESS FOR A PARTICULAR PURPOSE.**





**DJO is an ISO 13485 Certified Company**



Made for DJO, LLC  
by Meden-Inmed  
ul. Wenedow 2  
75-847 Koszalin  
Poland  
T: 1.800.592.7329 USA  
T: +1.317.406.2209  
F: +1.317.406.2014  
chattgroup.com



© 2011 DJO, LLC. All rights reserved.