

Contour & Contour LX Pedicure Chairs



**Contour**



**Contour LX**

© Copyright 2019  
Living Earth Crafts®

All rights reserved. This document or any portion thereof may not be reproduced in any way, including photocopying or translation to another language without the prior written permission from Living Earth Crafts.

Living Earth Crafts® is a registered trademark of Earthlite, LLC.

#### Legal Notice

The information provided in this document is intended for informational purposes only and is subject to change without notice. The information provided in this document should not be construed as a commitment by Living Earth Crafts®.

Living Earth Crafts® assumes no responsibility for the accuracy or suitability of the information contained in this document. This document may contain technical inaccuracies or errors. Living Earth Crafts® makes no expressed or implied warranties of any kind concerning the information contained in this document, including, but not limited to, the implied warranties of merchantability and fitness for purpose.

Living Earth Crafts® shall not be liable for incidental or consequential damages in connection with or arising out of the product, performance, or use of this document and the information and material it describes.

# Introduction

Congratulations on your purchase of the Contour or Contour LX pedicure chair. This manual is designed to be given to the licensed plumbers, electricians, and any other technicians performing the installation of your pedicure chairs.

Installer(s): Please review this manual in detail before beginning installation, and follow all safety warnings, labels, and instructions. If you have questions, please contact Living Earth Crafts at (800) 872-0560 for US customers, or (760) 597-2155 for international customers. We can also be reached via e-mail at [info@livingearthcrafts.com](mailto:info@livingearthcrafts.com)

## Table of Contents

### Section 1: Safety Information

Safety Symbols/Warnings.....	2
------------------------------	---

### Section 2: Product Overview

Electrical Specifications.....	3
FAQs.....	3
Product Diagram.....	4
Product Specifications.....	5

### Section 3: Installation

Installation Location/Spacing.....	6-7
Electrical & Plumbing.....	8-9
Backflow Prevention (Supply Line).....	10-11
Backflow Prevention (Discharge Line).....	12-13
Initial Assembly.....	14-15
Contact Us.....	back cover

# SECTION 1: SAFETY INFORMATION

## Safety Symbols

Familiarize yourself with the following Safety & Warning symbols. They are designed to prevent damage and injury to you, your clients, and your new Earthlite product.

**IMPORTANT:** The important safety instructions and warnings in this manual cannot cover all possible problems and conditions that can occur. Use common sense and caution when installing, operating, or maintaining this appliance.



Indicates an imminently hazardous situation which could result in serious or fatal injury.



Indicates a potentially hazardous situation which could result in serious injury.



Indicates a potentially hazardous situation which could result in equipment damage and/or injury.

## IMPORTANT SAFETY INSTRUCTIONS - FOR COMMERCIAL USE ONLY

Read all instructions before using this product.

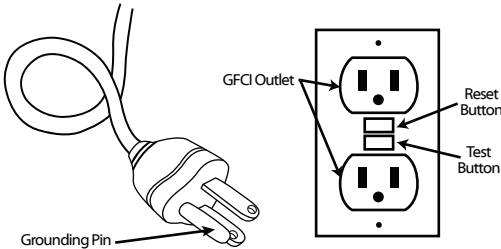


### INSTALLATION INSTRUCTIONS / GROUNDING INSTRUCTIONS

- 1. RISK OF ELECTRIC SHOCK. Connect only to a circuit protected by a ground-fault circuit-interrupter.**
- 2. Grounding is required. The unit should be installed by a qualified service representative and grounded.**

This product must be grounded. If it should malfunction or break down, grounding provides a path of least resistance for electric current to reduce the risk of electric shock. This product is equipped with a cord having an equipment-grounding conductor and grounding plug. The plug must be plugged into an appropriate outlet that is properly installed and grounded in accordance with all local codes and ordinances.

Improper connection of the equipment-grounding connector can result in a risk of electric shock. Check with a qualified electrician or serviceman if you are in doubt as to whether the product is properly grounded. Do not modify the plug provided with the product - if it will not fit the outlet, have a proper outlet installed by a qualified electrician.



Chair and tub are to remain right side up. At no time should chair or tub be turned on it's side or upside down.

See User Manual for all safety information and warnings pertaining to use of this product.

## SECTION 2: PRODUCT OVERVIEW

### Electrical Specifications

Spec	North America	Europe/Asia
Input Voltage	120 VAC	220 VAC
Input Frequency	60 Hz	50 Hz
Total Consumption - All Options	10.5 Amps Max	5.7 Amps Max
Consumption - Standard Contour	6.5 Amps Max	3.5 Amps Max
Consumption - Relaxor	Additional 4 Amps (Max)	Additional 2.2 Amps (Max)

### Discharge Pump Specification

Motor Design	Single-phase synchronous motor
Flow Rate	120V: 24 l/min at 0, 1 bar; 220V: 20 l/min at 0, 1 bar
Duty Cycle	Continuous

### Jet System Specification

Motor Design	Single speed, electronic spherical DC motor w/magnetic rotor impeller
Motor Materials	Thermoplastic jet, motor, case assembly; stainless steel rotor impeller
Safety Features	Safety shutoff sensor, dry-run/thermal overload protection

### Frequently Asked Questions

#### Does the Contour have backflow prevention?

Yes - see pages 10-13 for backflow prevention details.

#### Do I still have to install backflow prevention on my main water supply line?

This is entirely dependent on your local and/or state codes. A licensed plumber with knowledge of your local and/or state codes can answer this question for you.

#### Do we need to install a p-trap?

Check with the licensed plumber performing the install. It is dependent on your drain location.

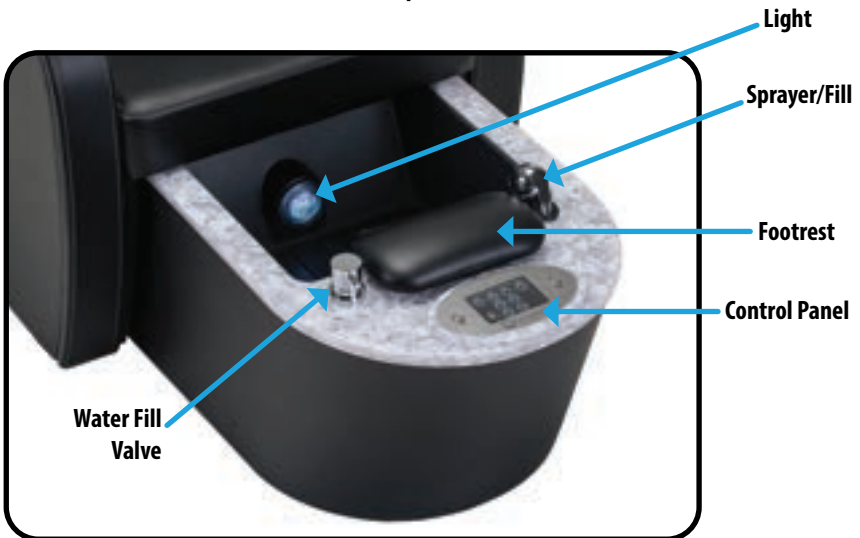
#### Can you provide a letter to my city inspector stating my electrical and/or plumbing setup is acceptable?

Unfortunately not. In this document, we have provided all the information that a licensed plumber and electrician would need to perform the proper install that adheres to local and state codes. Living Earth Crafts does not have knowledge of all local and state codes and therefore is not qualified to advise on individual setup questions. If an inspector has questions about how your plumbing and/or electrical is being set up, you will need to contact your plumber and/or electrician.

#### Does the Contour have GFI/GFCI built in?

There are no GFI/GFCIs built in to the system - we require a GFCI protected grounded circuit to supply power to the Contour.

# SECTION 2: PRODUCT OVERVIEW



## SECTION 2: PRODUCT OVERVIEW

### Product Specifications

<b>Overall Width</b>	32.5" (78.7 cm)
<b>Shroud Width</b>	22" (55.8 cm)
<b>Shroud Height</b>	15" (38.1 cm)
<b>Length (armrest doors open)</b>	73" (185.4 cm)
<b>Length (armrest doors closed)</b>	57" (144.8 cm)
<b>Armrest Door Height</b>	29.25" (74.3 cm)
<b>Seat Height</b>	21" (53.3 cm)

*\*Measurements may vary due to natural material variations.*

### Included Features

<b>Feature</b>	<b>Standard</b>	<b>Optional</b>
<b>Pipeless Jets</b>	X	
<b>Reflexology Fiberglass Tub</b>	X	
<b>Fully Motorized Seat and Footrest</b>	X	
<b>Motorized Retractable Armrest Doors</b>	X	
<b>Embedded Control Panel</b>	X	
<b>Power Drain/Discharge Pump</b>		X
<b>Relaxor® Heat &amp; Massage</b>		X
<b>Side Trays</b>		X
<b>ADA Compliant</b>		X
<b>Avonite</b>	Standard Options	Upgraded Options
<b>Upholstery</b>	Natursoft™	Promessa® or Ultraleather®

# SECTION 3: INSTALLATION

## Installation Summary

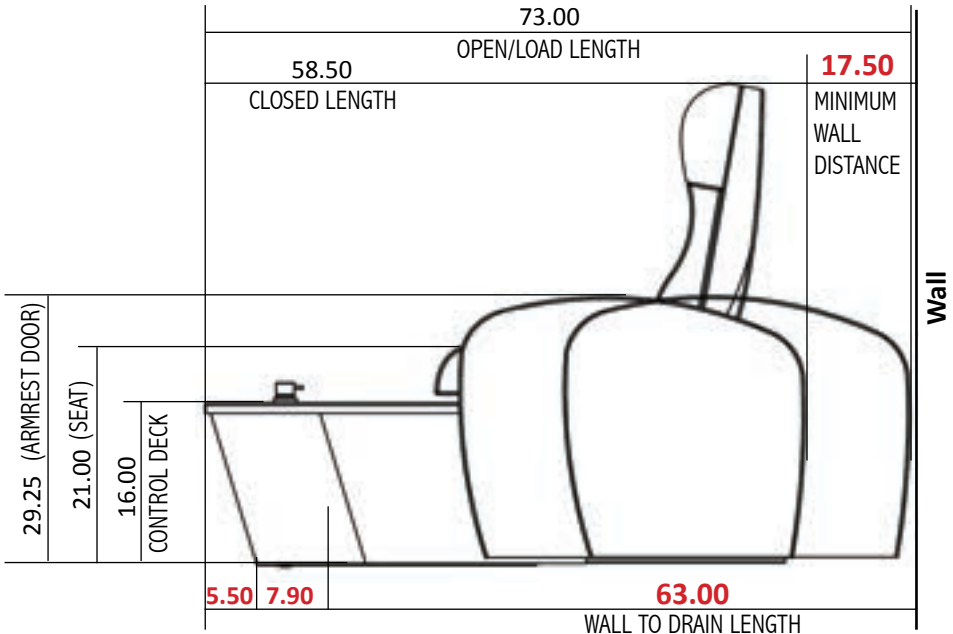
**NOTE: INSTALLER/OWNER BEARS ALL RESPONSIBILITIES TO COMPLY WITH ALL STATE AND LOCAL CODES FOR PLUMBING AND ELECTRICAL WHEN INSTALLING THIS PRODUCT. FAILURE TO COMPLY WITH THESE INSTRUCTIONS MAY VOID WARRANTY.**

A licensed plumber and electrician must make the utility connections to this pedicure chair.

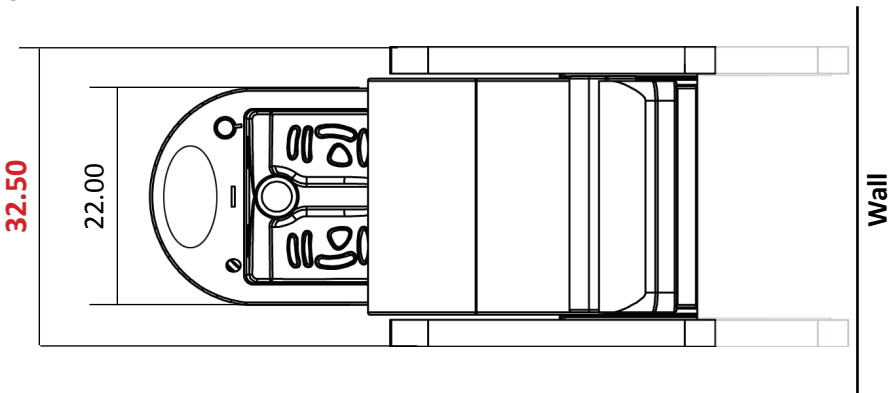
## Installation Location

The chosen install location must be level. The supporting floor structure must be able to support the weight of the occupied unit. For the armrest doors to fully open, the base must be mounted at least 14 inches from the wall, as illustrated below. (All measurements shown in inches.)

## Side View



## Top View

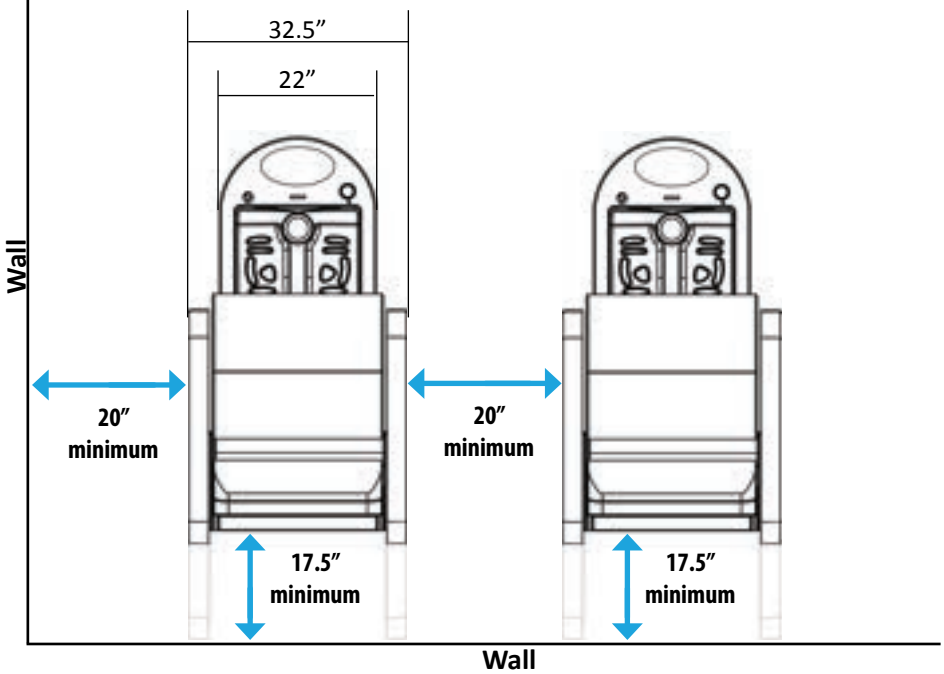




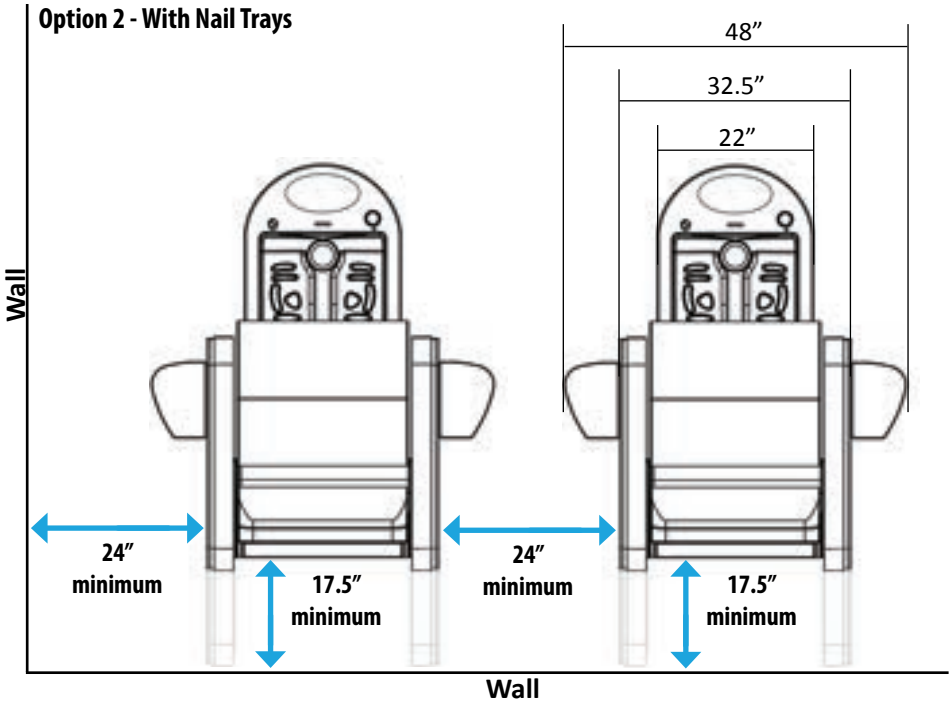
# SECTION 3: INSTALLATION

## Recommended Spacing

### Option 1 - Standard



### Option 2 - With Nail Trays



# SECTION 3: INSTALLATION

## Electrical Service

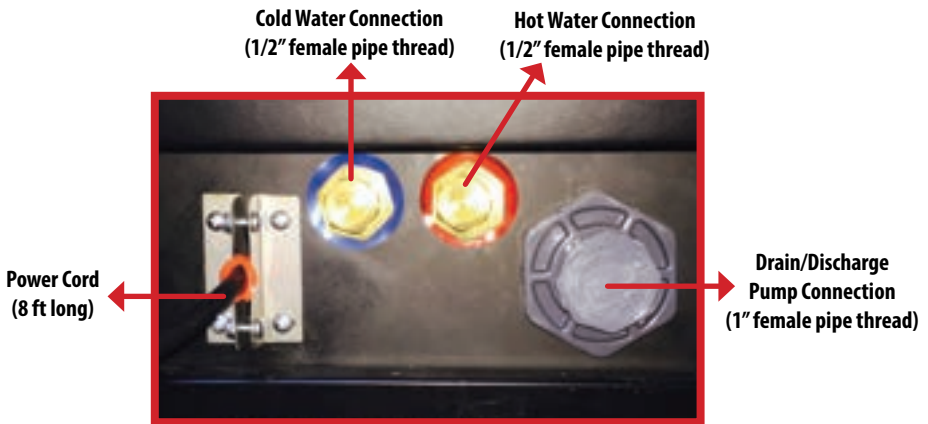
110V/60 Hz or 220V/50 Hz GFCI protected grounded circuit must be used to supply power to the Contour. Cutting off the end of the electrical plug to hardwire the spa is NOT recommended, and can void the warranty. (See page 3 for grounding instructions/safety warnings.)

## Plumbing/Water Supply

- All plumbing connections, including the drain, must conform to all state and local codes.
- Maximum suggested operating temperature should not exceed 105°F (41°C), and the maximum suggested supply water temperature should not exceed 120°F (49°C). State and local codes may have different regulations - please follow codes if different from suggested temperatures.
- Carefully connect the water supply fittings. Shut-off valves are recommended.

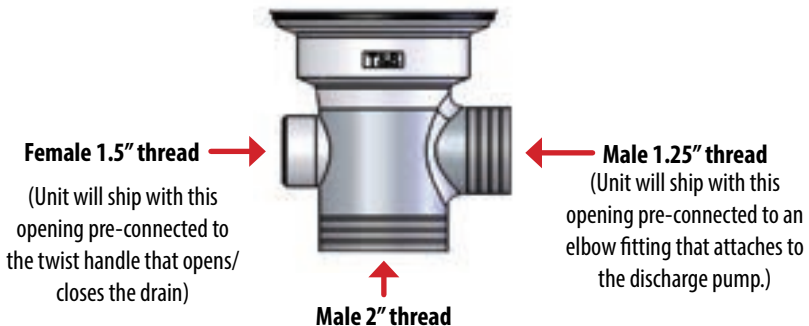
### Option 1 - Plumbed to the Wall (Recommended)

Use this option if your hot and cold water supply and drain line will be coming from the wall, behind the Contour. For this option, all the internal plumbing connections have already been made for you. All the plumber will need to do is connect the hot water supply line, cold water supply line, and the drain line to the rear manifold.



## Drain Specification

If your drain and supply line location(s) do not allow you to use the rear manifold, a licensed plumber will need to perform any needed re-configuration. For reference, see the below measurements of the Contour drain.



**IMPORTANT:** (Unit will ship with this opening capped off - plumbing will need to be re-configured if using a gravity drain setup.)

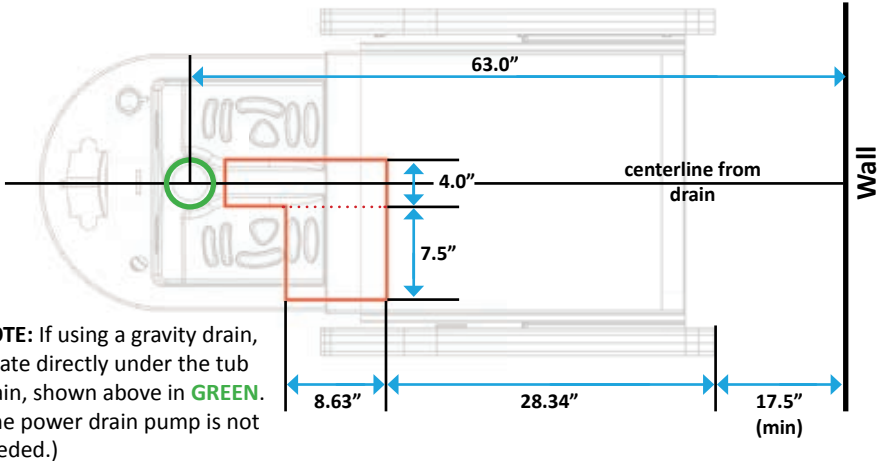
## SECTION 3: INSTALLATION

### Option 2 - Plumbed to a Floor Sink

Use this option if your hot and cold water supply and drain line will be located in a floor sink underneath the Contour. For this option, there are several added steps to make the connections:

1. The outer shroud will need to be removed (see instructions on page 13).
2. A licensed plumber will need to disconnect the internal connections from the manifold and re-route the pipes as needed.
3. Release power cord from the strain relief to be plugged into the floor outlet (if needed).

**IMPORTANT:** The diagram below shows where the floor sink can be located in **RED**.

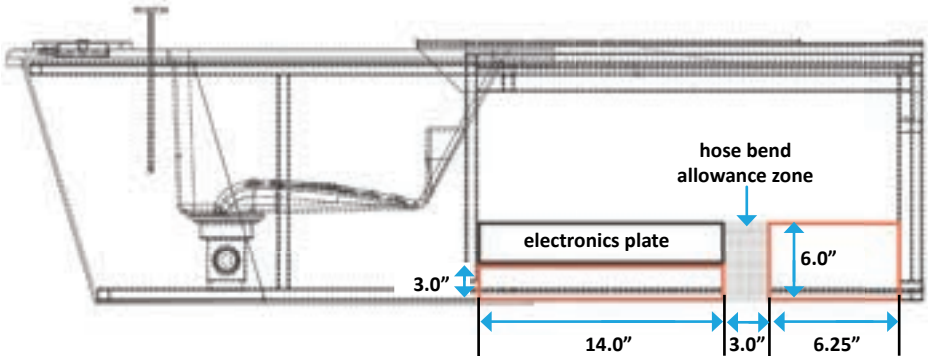


### Option 3 - Plumbed to the Floor

Use this option if your hot and cold water supply and drain line will be located in the floor underneath the Contour. For this option, there are several added steps to make the connections:

1. The outer shroud will need to be removed (see instructions on page 13).
2. A licensed plumber will need to disconnect the internal connections from the manifold and re-route the lines as needed. A 90 degree stop valve will be needed for the hot/cold supply lines, and a 90 degree elbow will be needed for the drain line. Flexible hoses are highly recommended for this application.
3. Release power cord from the strain relief to be plugged into the floor outlet (if needed).

**IMPORTANT:** The diagram below shows where the connections can be located in **RED**.



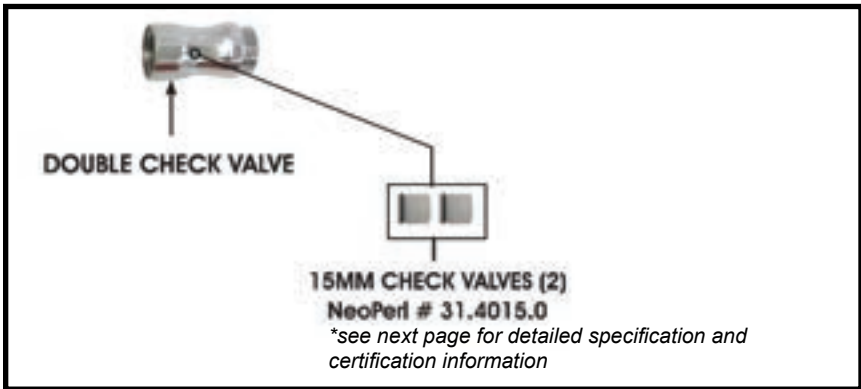
# SECTION 3: INSTALLATION

## Backflow Prevention (Supply Line)

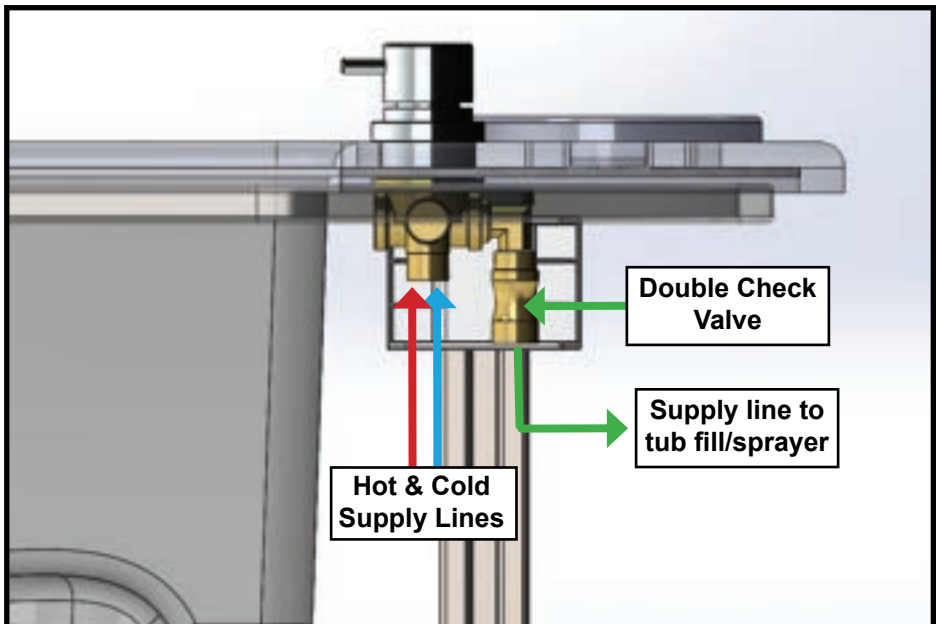
Each Contour comes with a dual backflow preventative device pre-installed. This device utilizes two (2) 15mm check valves that are certified to ANSI/NSF 61 and ASME A112.18.3 (see detailed specification from manufacturer on the next page) The ASME A112.18.3 standard, in Section 8.1.1, indicates that “there shall be at least two backflow prevention devices, in series”. The double check valve shown below, installed on the tub supply valve, fulfills this requirement. The 2 check valves are installed in series and operate independently, per the standard. The placement prevents backflow into both the hot and cold supply lines.

### DOUBLE CHECK VALVE INFORMATION

**American Faucet & Coatings Corporation (PART #19.10.007)**



### DOUBLE CHECK VALVE PLACEMENT



# SECTION 3: INSTALLATION

## Backflow Prevention (Supply Line)

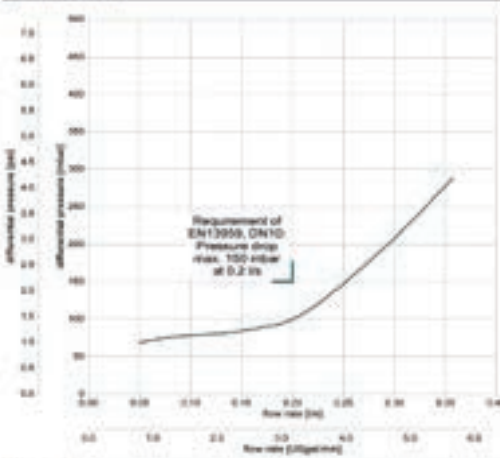
### CV15 SHORT - 15 mm OD Check Valve Cartridge - Spring Loaded



- Features and Benefits**
- 100% factory tested drip tight operation.
  - Easy to insert into the application device.
  - Spring loaded plunger: operates in any position.
  - Low headloss, low cracking pressure.

**Certification**  
ANSI / NSF 61  
ASME A112.18.3M

#### Headloss Curve



**Option Available**

Part #	Housing	Casing system
31.3001.0	White	White

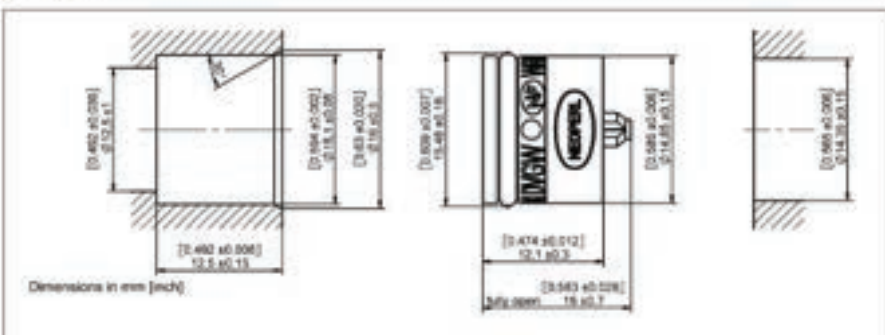
**Materials**

Name	Material
Housing	Acetal
Guide	Acetal
Plunger	Acetal
Spring	Stainless steel AISI 301
O-ring seals	NBR

**Technical Data**  
Medium: Clear water only  
Approximate Cracking Pressure: 0.49 psi  
Wetted surface area: 2918 mm<sup>2</sup>



#### Dimensions



**NOTE:** It is mandatory in some states to install additional backflow protection (reverse backflow) on the main hot and cold water supply lines. This requirement is the responsibility of the facility owner, and cannot be fulfilled by the individual Contour units.

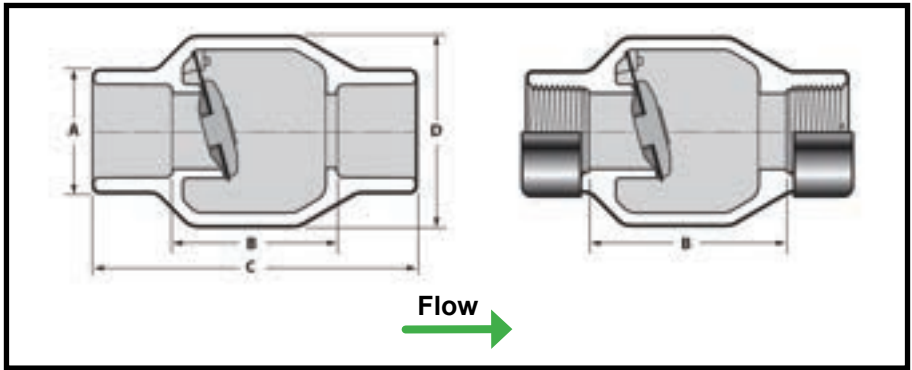
## SECTION 3: INSTALLATION

### Backflow Prevention (Discharge Line)

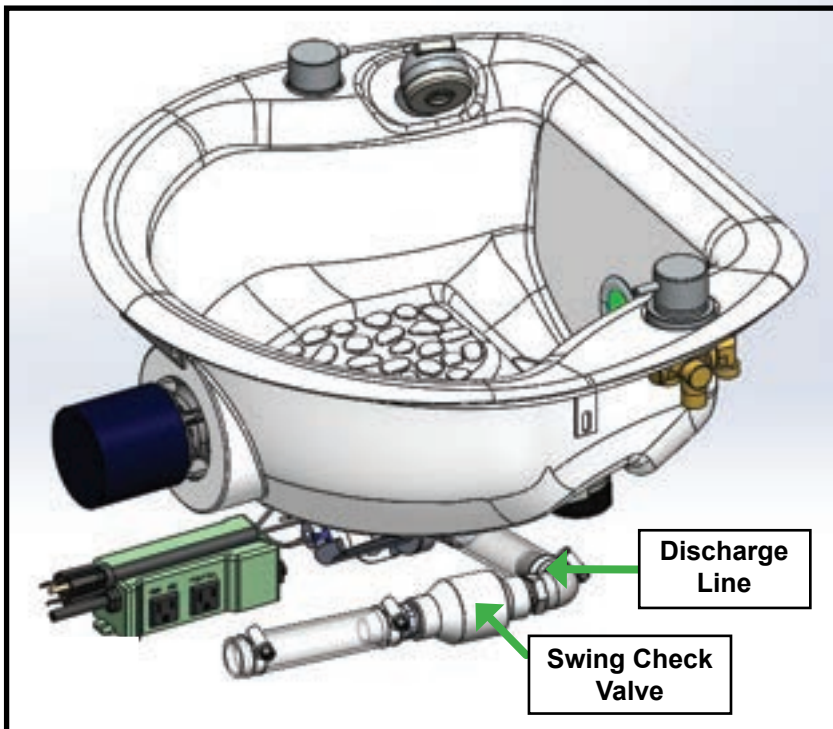
Each Contour comes with a swing check valve pre-installed on the discharge line. This valve is NSF certified for potable water use (see detailed specification from manufacturer on the next page). The valve is installed on the discharge line immediately after the discharge pump as shown in the technical diagram below. The placement prevents backflow from the discharge line into the tub.

### SWING CHECK VALVE INFORMATION

Ryan Herco (PART #S1520-07F)



### VALVE PLACEMENT



# SECTION 3: INSTALLATION

## Backflow Prevention (Discharge Line)



### Thermoplastic Valves Product Guide & Engineering Specifications Utility Swing & Spring Check Valves



#### Sample Engineering Specification

All thermoplastic check valves shall be Utility Swing Check or Utility Spring Check type constructed from PVC Type 1, ASTM D 1784 Cell Classification 12454. All valves shall be maintenance free seal unit construction with EPDM seat and weighted disc. All Spring Check Valves shall have stainless steel spring assisted operation. All valves shall have external flow arrow direction designation. All valves shall be certified by NSF International for use in potable water service. All valves 1/2" – 4" shall be pressure rated to 150 psi for water @ 73°F in full flow (open) position and to 75 psi @ 73°F back pressure (closed), all valves 6" – 8" shall be pressure rated to 100 psi for water @ 73°F in full flow (open) position and to 50 psi @ 73°F back pressure (closed), as manufactured by Spears® Manufacturing Company.

#### Quick-View Utility Swing Check Valve Selection Chart

Valve Size	Seal Material	PVC Material <sup>1</sup>			Pressure Rating
		Socket	Threaded	SR Threaded	
1/2	EPDM	S1520-05	S1520-05F	S1520-05FSR	150 psi @ 73°F Full Flow (Open) 75 psi Back Pressure (Closed)
3/4	EPDM	S1520-07	S1520-07F	S1520-07FSR	
1	EPDM	S1520-10	S1520-10F	S1520-10FSR	
1-1/4	EPDM	S1520-12	S1520-12F	S1520-12FSR	
1-1/2	EPDM	S1520-15	S1520-15F	S1520-15FSR	
2	EPDM	S1520-20	S1520-20F	S1520-20FSR	
2-1/2	EPDM	S1520-25	S1520-25F	S1520-25FSR	
3	EPDM	S1520-30	S1520-30F	S1520-30FSR	
4	EPDM	S1520-40	S1520-40F	S1520-40FSR	
6	EPDM	S1520-60	S1520-60F	S1520-60FSR	
8	EPDM	S1520-80	NA	NA	

<sup>1</sup> For PVC Clear Spring Check, replace dash (-) separator with the letter "C" in the part number (e.g. S1520C05), (e.g. S1520C07F) or (e.g. S1520C07FSR).

#### Features - PVC White & PVC Clear

Spears® Utility Swing Check and spring assisted Utility Spring Check Valves offer a compact, high performance check valve for Landscape & Irrigation, Pool & Spa, Aquaculture, OEM and many general purpose applications. These maintenance free sealed units feature long-life EPDM elastomer seats with weighted disc for full-flow with minimal restriction and positive shutoff. Spring assisted "Spring Check" model incorporates a positive-pressure spring to assist in valve closing without slamming. Produced from PVC White or PVC Clear material with Socket, Threaded or SR Threaded end connectors. Available in IPS Sizes 1/2" through 8" for Swing Check Valves and 1/2" through 4" for Spring Check Valves.

- Chemical & Corrosion Resistant PVC White or High Visibility PVC Clear Construction
- No Metal Parts on Swing Check - Stainless Steel Spring on Spring Check
- Maintenance Free Sealed Unit in a Compact Space Saving Design
- Engineered for Maximum Flow, Quick Response & Positive Shutoff
- Long-Life, High Grade EPDM Seat with Weighted Disc
- Spring Assisted Spring Check Model Option for Positive Closing
- Sizes 1/2" – 4" Pressure Rated to 150 psi @ 73°F Full Flow (open) and 75 psi @ 73°F Back Pressure (closed)
- Sizes 6" – 8" Pressure Rated to 100 psi @ 73°F Full Flow (open) and 50 psi @ 73°F Back Pressure (closed)
- Suitable for either Horizontal or Vertical Up-flow Installations and Vacuum Service
- NSF® Certified for Potable Water Use
- Silicone-Free Assembly

#### Quick-View Utility Spring Check Valve Selection Chart

Valve Size	Seal Material	PVC Material <sup>1</sup>			Pressure Rating
		Socket	Threaded	SR Threaded	
1/2	EPDM	S1580-05	S1580-05F	S1580-05FSR	150 psi @ 73°F Full-Flow (Open)
3/4	EPDM	S1580-07	S1580-07F	S1580-07FSR	
1	EPDM	S1580-10	S1580-10F	S1580-10FSR	
1-1/4	EPDM	S1580-12	S1580-12F	S1580-12FSR	
1-1/2	EPDM	S1580-15	S1580-15F	S1580-15FSR	75 psi Back Pressure (Closed)
2	EPDM	S1580-20	S1580-20F	S1580-20FSR	
2-1/2	EPDM	S1580-25	S1580-25F	S1580-25FSR	
3	EPDM	S1580-30	S1580-30F	S1580-30FSR	
4	EPDM	S1580-40	S1580-40F	S1580-40FSR	

<sup>1</sup> For PVC Clear Spring Check, replace dash (-) separator with the letter "C" in the part number (e.g. S1580C05), (e.g. S1580C07F) or (e.g. S1580C07FSR).

# SECTION 3: INSTALLATION

## Initial Assembly

### Tools & Hardware Needed

#### Included:

- 3 shoulder bolts
- 5 plastic washers
- 3 hex nuts
- 6 metal washers

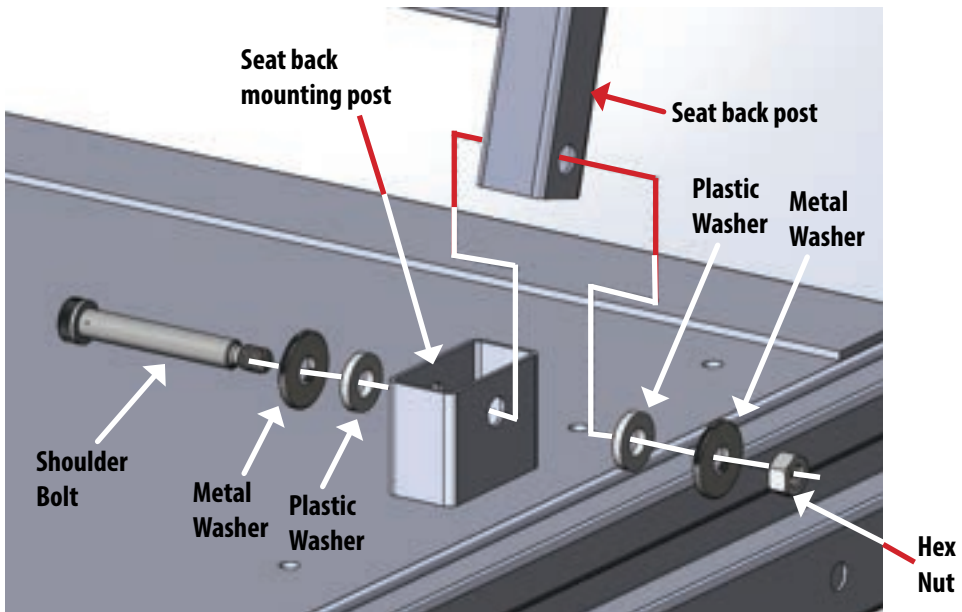
#### Not Included:

- 1/2" crescent wrench
- 3/16" allen wrench

\*All pieces required for installation.

## 1. Attach Seat Back

The Contour seat back is shipped detached in order to minimize shipping costs and damage. Follow the diagram below to attach each side of the seat back to the frame.



1. Place metal washer followed by plastic washer onto the shoulder bolt.
2. Insert the shoulder bolt through the seat back mounting post, then through the seat back post.
3. Place plastic washer followed by metal washer onto the shoulder bolt.
4. Using the crescent wrench and allen wrench, tighten the shoulder bolt.
5. Repeat for opposite side of the seat back.

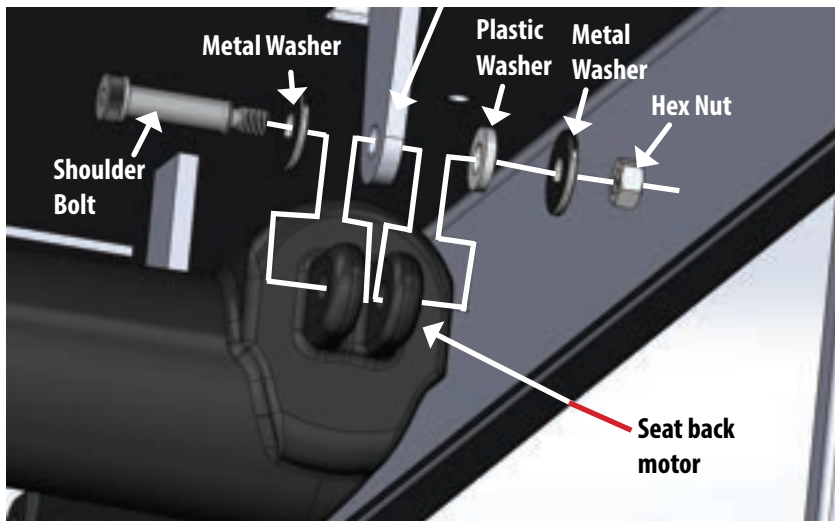


## SECTION 3: INSTALLATION

### 2. Secure Seat Back Tilt Motor

After the seat back is attached using the instructions on the previous page, attach the seat back motor to the seat back frame.

seat back frame attachment point



1. Locate the seat back motor and seat back frame attachment point.
2. Place metal washer onto the shoulder bolt.
3. Insert shoulder bolt through one side of the seat back motor mount, then seat back frame attachment point, and the other side of the motor mount.
4. Place plastic washer followed by metal washer onto the shoulder bolt.
5. Using the crescent wrench and allen wrench, tighten the shoulder bolt.

### 3. Remove Shroud (if needed)

The shroud will only need to be removed if plumbing reconfiguration is needed. See pages 8-9 to determine if this is needed.

1. Push and hold the "Open" button until the armrest doors are fully open
2. Remove the screws securing the shroud to the frame, one on each side (located towards the bottom of the shroud)
3. Carefully remove the cap from the drain handle, and remove the screw securing the handle to the shroud.
4. Carefully pull the shroud off the frame
5. NOTE: If you have a discharge pump, you will need to disconnect the discharge pump button wire connector before fully pulling the shroud off.







## Contact Us

Living Earth Crafts  
990 Joshua Way  
Vista, CA. 92081  
(800) 358-8292  
(760) 597-2155 Int'l  
(866) 449-8872 fax  
info@livingearthcrafts.com

Hours of operation:

Monday - Friday  
8:00 a.m. to 5 p.m. PST

Saturday - Sunday  
Closed

Visit us online at: [livingearthcrafts.com](http://livingearthcrafts.com)



Join us on  
Facebook



Follow us on  
Twitter



Follow us on  
Instagram



Connect with us  
on Linked In