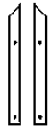
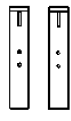


Assembly Instructions for Adirondack Chair

Tools needed for assembly: Philips head screwdriver Cordless Drill, Wrench, Allen key

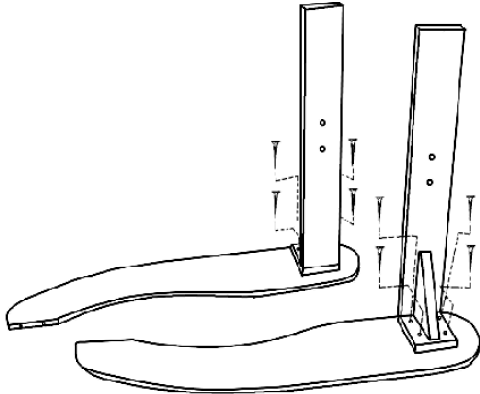
Components:



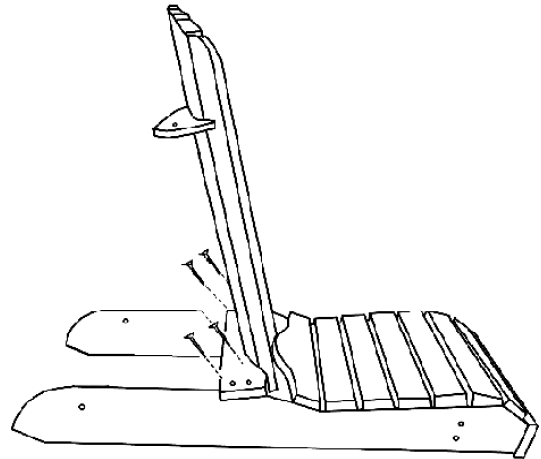
1 back 1 seat 2 arms 2 front legs 2 rear legs

Hardwares:

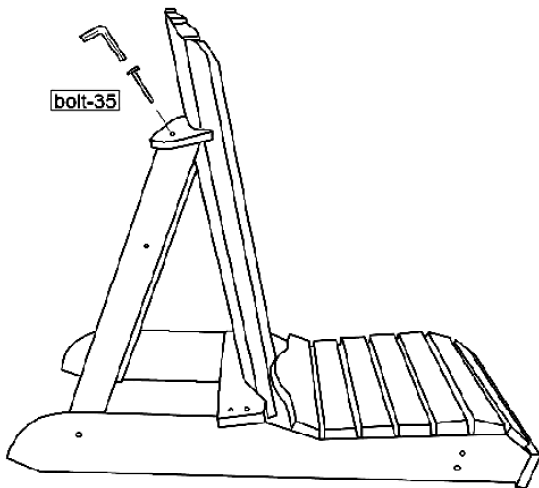
bolt-35	2
bolt-45	4
bolt-50	4
nuts:	8
screws:	12
allen key:	1



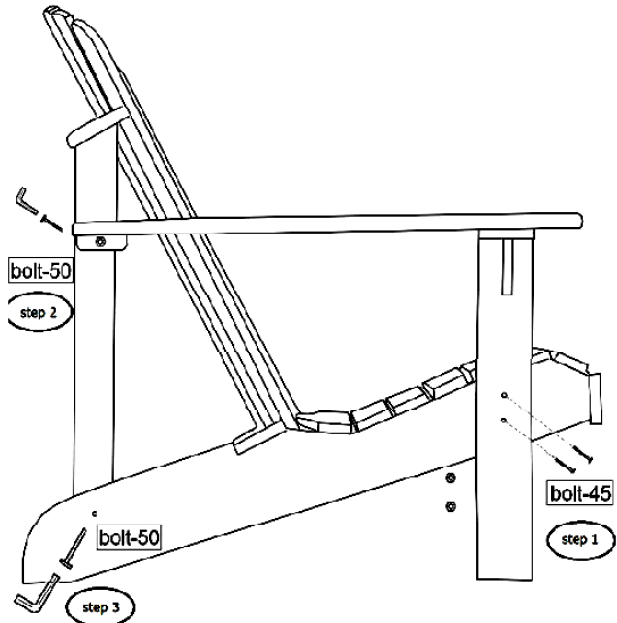
Step 1, place armrests on soft rag.
Attach front legs to armrests with 8 screws



Step 2, fit the back to the seat and align edges.
Fasten 4 screws.



Step 3, attach 2 rear legs to the back with
2 bolt-35 by allen key.



Step 4, Attach front legs to side legs with 4 bolt-45
and nuts. Attach the rear of armrest to rear leg
with 2 bolt-50 and nuts.
Attach 2 rear legs to the side legs with 2 bolt-50
and 2 nuts by allen key.

Go back over chair and tighten all screws and bolts

After chair has been exposed to weather for a period, it may be necessary to re-tighten all the bolts, screws and maintain chair with furniture oil or paint.