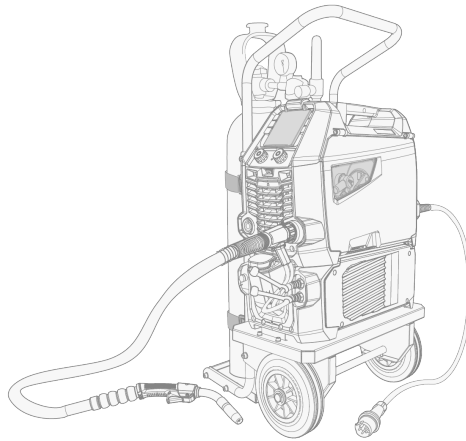


Master M 205, 323



CONTENTS

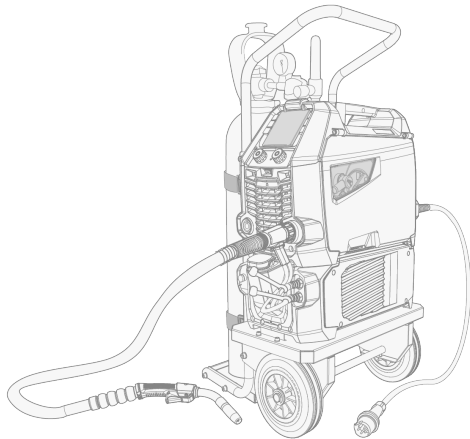
1. General	4
1.1 Equipment description	5
1.2 Master M 205 and 323 devices	6
1.2.1 Wire feed mechanism	7
1.3 Master Cooler 05M cooling unit (optional)	8
2. Installation	9
2.1 Installing power source mains plug	10
2.2 Installing cooling unit (optional)	11
2.3 Installing equipment on cart (optional)	13
2.4 Connecting welding gun	17
2.5 Connecting earth return cable	18
2.6 Installing and changing wire (200 mm spool)	19
2.7 Installing and changing wire (100 mm spool)	24
2.8 Installing and replacing feed rolls	26
2.9 Installing and replacing wire guide tubes	28
2.10 Installing gas bottle and testing gas flow	29
3. Operation	31
3.1 Preparing welding system for use	32
3.1.1 Preparing cooler	33
3.2 Calibrating welding cable	35
3.3 Using control panel	36
3.3.1 Control panel: Main view	37
3.3.2 Control panel: Memory channels	39
3.3.3 Control panel: Welding process	39
3.3.4 Control panel: Trigger logic	40
3.3.5 Control panel: Weld Assist	41
3.3.6 Control panel: Welding parameters	42
3.3.7 Control panel: System settings	44
3.3.8 Control panel: Weld data	45
3.4 Additional guidance to functions and features	47
3.4.1 1-MIG	47
3.4.2 Pulse welding	47
3.4.3 MAX Cool process	47
3.4.4 Trigger logic functions	48
3.5 Changing welding polarity	49
3.6 Lifting Master M equipment	51
4. Maintenance	53

4.1 Daily maintenance	54
4.2 Periodic maintenance	55
4.3 Service workshops	56
4.4 Troubleshooting	57
4.5 Error codes	59
4.6 Installing and cleaning power source air filter (optional)	61
4.7 Disposal	62
5. Technical data	63
5.1 Master M devices	64
5.2 Master Cooler 05M cooling unit	68
5.3 Wire feeder consumables	69
5.4 Master M ordering info	71
5.5 Welding program work packs	72

1. GENERAL

These instructions describe the use of Kemppi's Master M 205 and 323 welding machines designed for light- to medium-duty professional use in MIG/MAG welding.

Master M 205 and 323 welding machines include both manual and automatic welding processes. Pulse welding is possible with the Master M 205 machine (220...240 V).



Master M is designed to be used together with Kemppi's Flexlite GX MIG welding guns with euro connector.

Master M can be used also for TIG * and MMA ** welding.

* TIG welding requires the use of a dedicated Flexlite TX TIG torch with euro connector.

** MMA welding requires a dedicated DIX-euro adapter.

Important notes

Read the instructions through carefully. For your own safety, and that of your working environment, pay particular attention to the safety instructions delivered with the equipment.

Items in the manual that require particular attention in order to minimize damage and harm are indicated with the below symbols. Read these sections carefully and follow their instructions.

 *Note: Gives the user a useful piece of information.*

 *Caution: Describes a situation that may result in damage to the equipment or system.*

 *Warning: Describes a potentially dangerous situation. If not avoided, it will result in personal damage or fatal injury.*

Kemppi symbols: [Userdoc](#).

DISCLAIMER

While every effort has been made to ensure that the information contained in this guide is accurate and complete, no liability can be accepted for any errors or omissions. Kemppi reserves the right to change the specification of the product described at any time without prior notice. Do not copy, record, reproduce or transmit the contents of this guide without prior permission from Kemppi.

1.1 Equipment description

Master M device models

- Master M 205 GM (200 A)
 - >> Generator-compatible and multi-voltage
 - >> Pulse device with automatic 1-MIG process (pulse welding with 220...240 V supply voltage only).
- Master M 323 GM (320 A)
 - >> Generator-compatible and multi-voltage
 - >> Standard device with automatic 1-MIG and MAX Cool process.

The Master M device models have a 2-roll wire feed mechanism. The maximum wire spool diameter is 200 mm.

For the Master M device part descriptions, refer to "Master M 205 and 323 devices" on the next page.

Master M cooling units

- Master Cooler 05M.

For the cooling unit part descriptions, refer to "Master Cooler 05M cooling unit (optional)" on page 8.

MIG welding guns

- Flexlite GX welding guns with euro connector.

For more information on the Flexlite GX welding guns, refer to [Kempfi Userdoc](#).

Welding programs

- Welding program work pack (factory-installed)
- Four welding programs for MAX Cool process in Master M 323 (factory-installed).

The welding programs included in the Master M work packs are shown here: "Welding program work packs" on page 72.

Optional accessories

- 2-wheel carts
- Protection sliders
- Power source air filter
- Wire feed cabinet heater.

For more information on optional accessories, contact your local Kempfi dealer.

EQUIPMENT IDENTIFICATION

Serial number

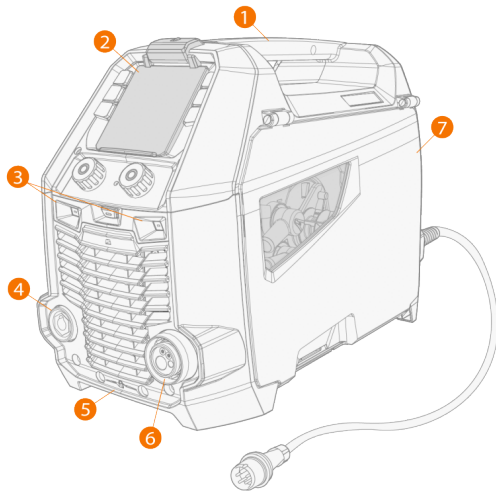
Serial number of the device is marked on the rating plate or in another distinctive location on the device. It is important to make correct reference to the serial number of the product when ordering spare parts or making repairs for example.

Quick Response (QR) code

The serial number and other device-related identification information may also be saved in the form of a QR code (or a barcode) on the device. Such code can be read by a smartphone camera or with a dedicated code reader device providing fast access to the device-specific information.

1.2 Master M 205 and 323 devices

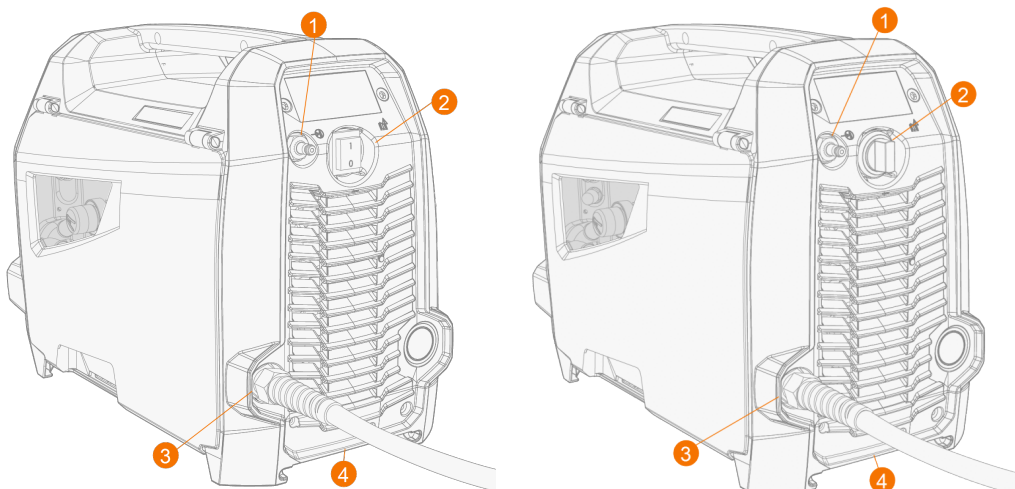
Front



1. Transportation handle (also for mechanical lifting when the device is not installed on a cooling unit or cart)
2. Control panel (and hinged control panel cover)
3. LED work lights with light switch in the middle
 - >> Light switch: First press turns the lights on (full brightness), second press dims the lights (medium brightness), third press turns the lights off
 - >> Includes a built-in battery (the battery is charged when the equipment is connected to mains)
4. Earth return cable connector
5. Front locking interface
 - >> For locking on top of the cooling unit or on the cart
6. Welding cable euro connector
7. Wire feed cabinet hatch.

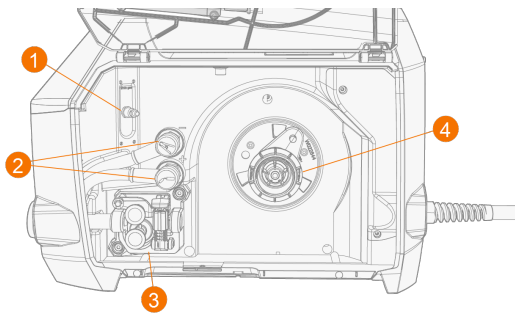
Rear

Master M 205 on the left and Master M 323 on the right.



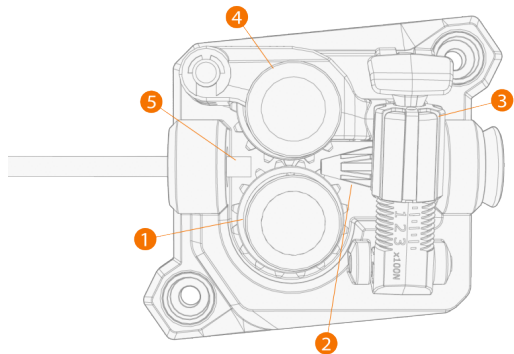
1. Shielding gas hose connector
2. Power switch
3. Mains cable
4. Rear locking interface
>> For locking on top of the cooling unit or on the cart.

Inside wire feed cabinet



1. Gas regulating valve for measuring and adjusting gas flow (Master M 323 only)
>> For setting the gas flow rate in the device lower than the gas flow rate from the gas supply
2. Polarity terminals
3. Wire feed mechanism (refer to "Wire feed mechanism" below)
4. Wire spool hub.

1.2.1 Wire feed mechanism



1. Drive roll and drive roll mounting cap
2. Inlet guide tube
3. Pressure handle
4. Pressure roll and pressure roll mounting pin
5. Outlet guide tube.

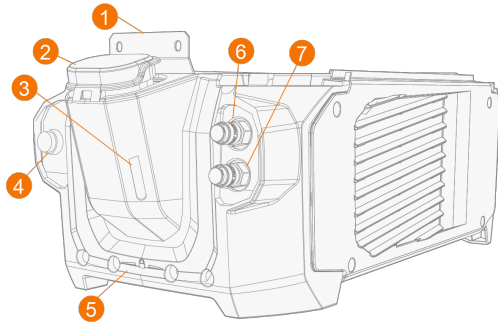
For replacing the feed rolls, refer to "Installing and replacing feed rolls" on page 26.

For replacing the wire guide tubes, refer to "Installing and replacing wire guide tubes" on page 28.

1.3 Master Cooler 05M cooling unit (optional)

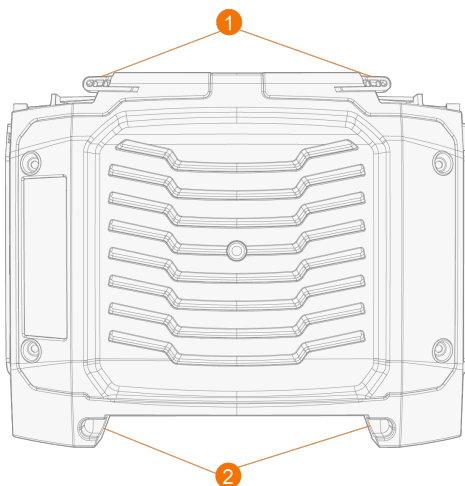
 The cooling unit is not available for Master M 205 with 110...130 V supply voltage.

Front






1. Front locking interface
>> For locking to the power source
2. Cooler container cap
3. Cooling liquid level indicator
4. Cooling liquid circulation button
>> Keeping the button pressed activates the pump and circulates the cooling liquid throughout the system. Once released, the pump stops.
5. Front locking interface
>> For locking on the cart
6. Coolant inlet connector (red)
7. Coolant outlet connector (blue).

Rear



1. Rear locking interface
>> For locking to the power source
2. Rear locking interface
>> For locking on the cart.



2. INSTALLATION

-  *Do not connect the equipment to the mains before the installation is complete.*
-  *Do not modify the welding equipment in any way, except for the changes and adjustments covered in the manufacturer's instructions.*
-  *Place the machine on a horizontal, stable and clean ground. Protect the machine from rain and direct sunshine. Check that there is enough space for cooling air circulation in the machine vicinity.*

Before installation

- Make sure to acknowledge and follow the local and national requirements regarding installation and use of high voltage units.
- Check the contents of the packages and make sure the parts are not damaged.
- Before you install the power source on site, see the requirements for the mains cable type and fuse rating.

Distribution network

-  *This Class A equipment is not intended for use in residential locations where the electrical power is provided by the public low-voltage supply system. There can be potential difficulties in ensuring electromagnetic compatibility in those locations, due to conducted as well as radiated radio-frequency disturbances.*
-  *Master M 323: Provided that the short circuit power of public low voltage system at the point of common coupling is higher than 1.6 MVA, this equipment is compliant with IEC 61000-3-11:2017 and IEC 61000-3-12:2011 and can be connected to public low voltage systems. It is the responsibility of the installer or user of the equipment to ensure, by consultation with the distribution network operator if necessary, that the system impedance complies with the impedance restrictions.*

2.1 Installing power source mains plug

 Only an authorized electrician is allowed to install the mains cable and plug.

 Do not connect the machine to the mains before the installation is complete.

Install the mains plug according to the Master M device and site requirements. Refer also to "Technical data" on page 63 for device specific technical information.

The mains cable includes the following wires:

1. Brown: L1
2. Black: L2
3. Grey: L3
4. Yellow-green: Protective earth

Cable type and fuse rating requirements:

Unit amperage	Cable type	Fuse rating
200 A (220-230 / 110-130 V)	2.5 mm ²	16 / 16 A
320 A (380-460 / 220-230 V)	2.5 mm ²	16 / 32 A

2.2 Installing cooling unit (optional)

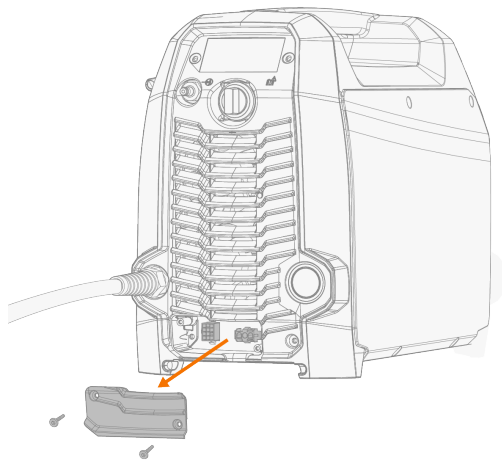
i The cooling unit is not available for Master M 205 with 110...130 V supply voltage.

! The cooling unit must be installed by authorized service personnel.

Tools needed:

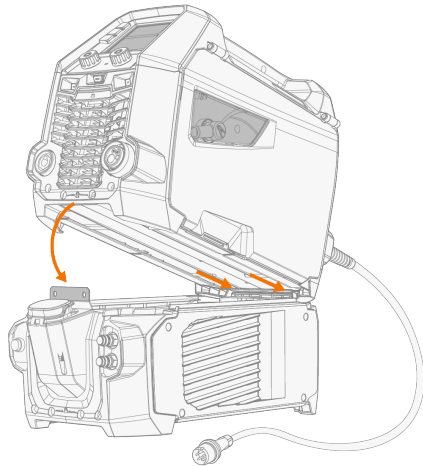


1. Remove the small connector cover in the rear of the power source.

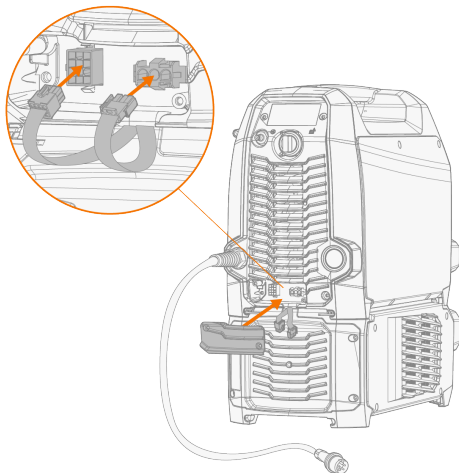


2. Route the cooling unit's connection cables so that they remain accessible through the next steps.
3. Lift the Master M device on top of the cooling unit so that the locking interfaces align and the fixing plate goes into its slot.

! Ensure that the cooling unit's connection cables are not caught and/or damaged between the edges.





4. Fix the units together with two screws (M5x12) in the front.
5. Connect the cooling unit cables.



6. Replace the small connector cover.

2.3 Installing equipment on cart (optional)

Master M has two transport unit options: a 2-wheel cart with a gas bottle rack (T22M) and a 2-wheel cart without a gas bottle rack (T32A).

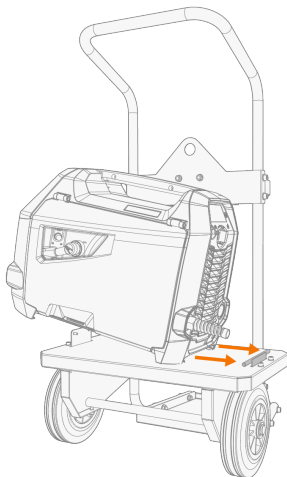
-  You can install the Master M device on the T22M cart with or without the cooling unit. Do not install the cooling unit on the T32A cart. Otherwise the bottom securing interface is the same with both carts.
-  The maximum recommended size of the gas bottle to be installed on the T22M cart is 20 liters.

Tools needed:

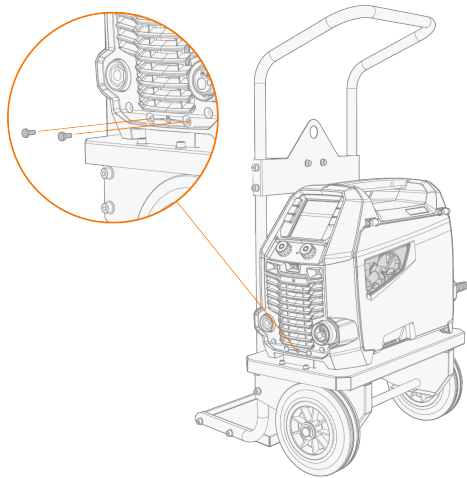


To install the Master M device on the T22M cart:

1. Install the Master M device on the cart.

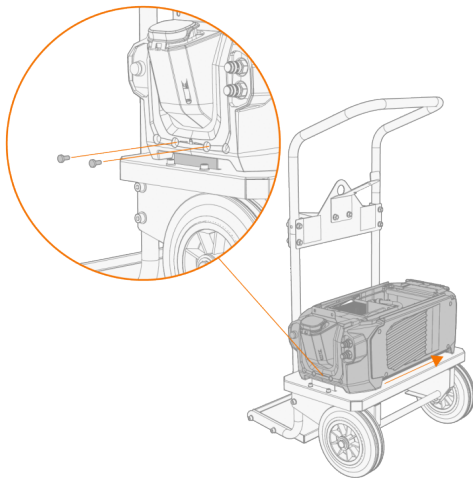


2. Fix the device to the cart with two screws (M5x12) in the front.

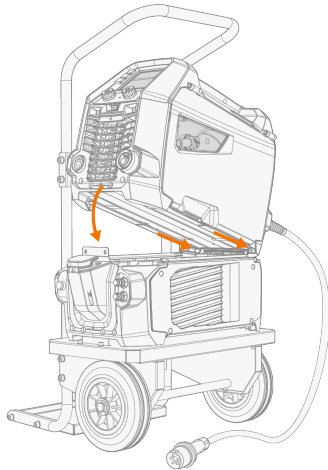


To install the Master M device and the cooling unit on the T22M cart:

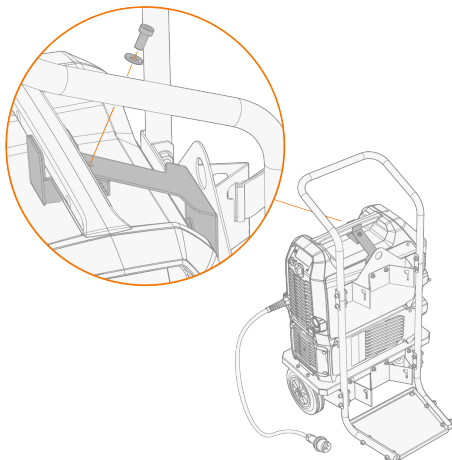
1. Install the cooling unit on the cart.



2. Fix the cooling unit to the cart with two screws (M5x12) in the front.
3. Install the Master M device on top of the cooling unit. Refer to "Installing cooling unit (optional)" on page 11 for installation details.

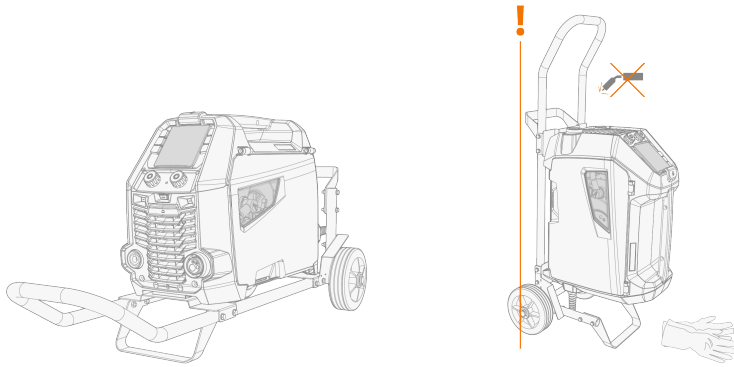


4. Secure the transportation handle to the cart with an additional bracket and a screw (M8x16).

**To install the Master M device on the T32A cart:**

1. Install the Master M device on the cart.
2. Fix the device to the cart with two screws in the front (M5x12).

 *The T32A cart must be in horizontal position during welding.*



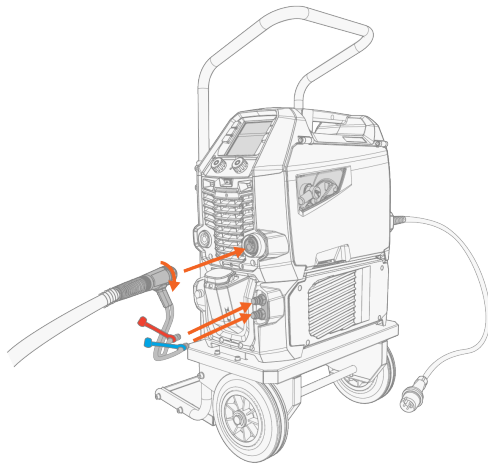
For lifting the Master M equipment, refer to "Lifting Master M equipment" on page 51.

2.4 Connecting welding gun

Master M is designed to be used with the Kemppi Flexlite GX welding guns. For the Flexlite GX operating instructions, refer to userdoc.kemppi.com.

i Always check that the wire liner, contact tip and gas nozzle are suitable for the job.

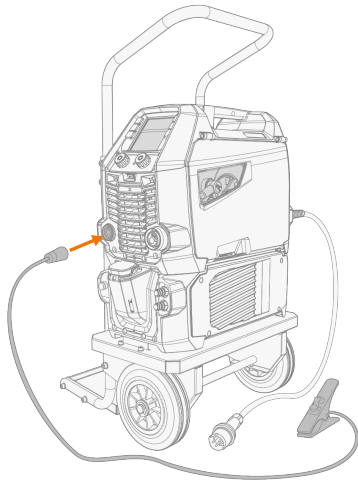
1. Push the welding gun connector into the euro connector and hand-tighten the collar.
2. If your setup includes a water-cooled gun, connect the cooling liquid hoses to the cooling unit. The hoses are color-coded.



3. Install and load the filler wire as described in "Installing and changing wire (200 mm spool)" on page 19.
4. Check the gas flow. Refer to "Installing gas bottle and testing gas flow" on page 29 for more information.




2.5 Connecting earth return cable

Connect the earth return cable to the Master M machine.



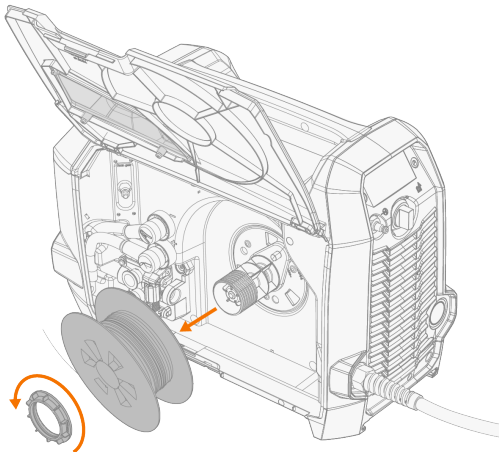
2.6 Installing and changing wire (200 mm spool)

This section describes how to install and change a 200 mm spool. The spool hub for a 200 mm spool is factory installed on Master M 205 and 323 machines. For instructions on installing a 100 mm spool, refer to "Installing and changing wire (100 mm spool)" on page 24.


-  *Install the welding gun to the Master M device before installing the wire spool.*
-  *When changing the wire spool, remove the remaining filler wire from the welding gun and wire feed mechanism before removing the wire spool.*
-  *Always ensure that the feed rolls are suitable for the filler wire (diameter and material) in question. For more information, refer to "Wire feeder consumables" on page 69.*

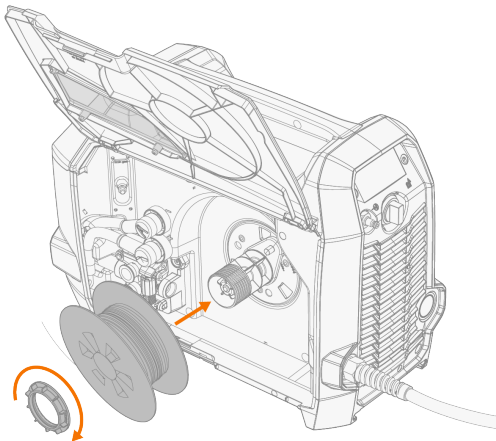
To remove the wire spool:

1. Open the wire feed cabinet hatch.
2. Loosen and remove the spool fastener and remove the wire spool.

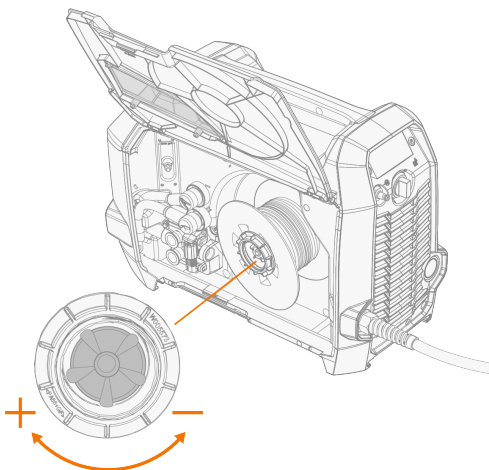


To install a new wire spool:

1. Insert the wire spool onto the spool hub. Secure the wire spool in place by inserting and tightening the spool fastener.
-  *Ensure that the wire spool is facing the right direction, the filler wire running from the bottom of the spool to the feed rolls.*




2. If needed, adjust the spool braking force by turning the spool hub fastener.

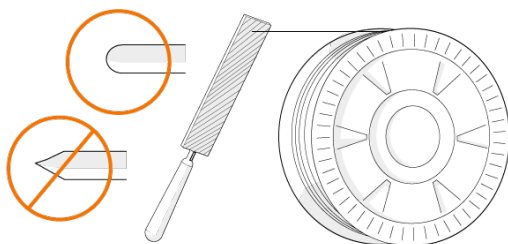


To install the filler wire:

1. Release the filler wire end from the spool and cut off any deformed section so that the end is straight.

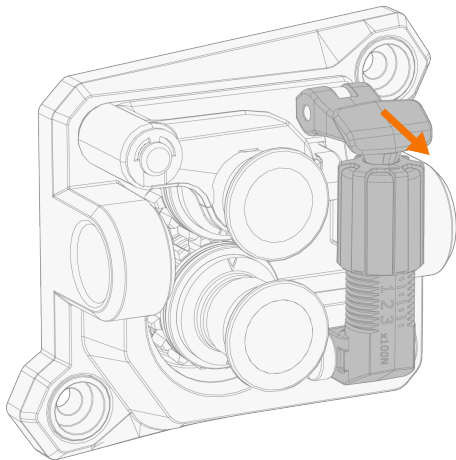
 Ensure that the filler wire does not spill from the spool when it is released.

2. File the tip of the filler wire smooth.

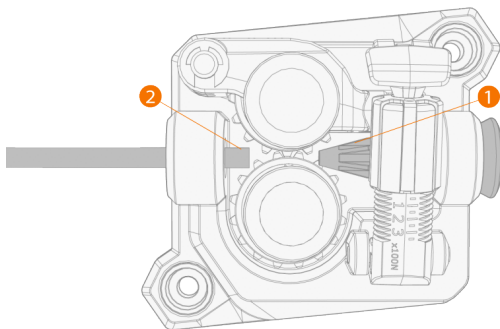


 Sharp edges on the filler wire tip may damage the wire liner.

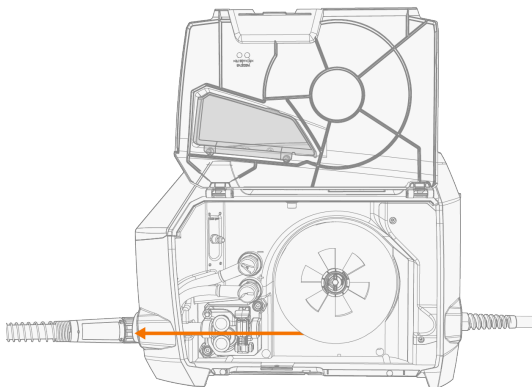
3. Release the pressure handle.



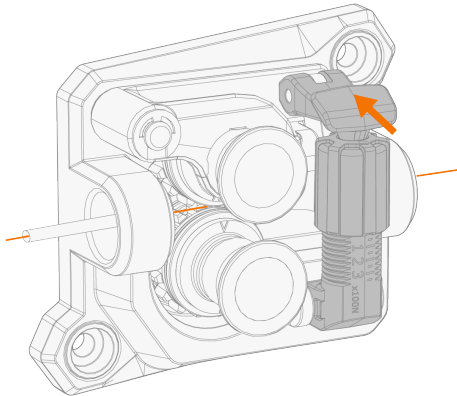
4. Guide the filler wire through the inlet guide tube (1) and into the outlet guide tube (2), which feeds the filler wire to the welding gun.



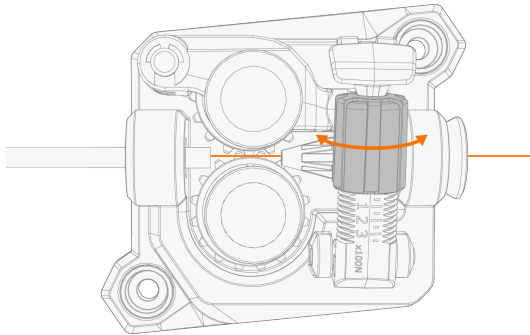
5. Push the filler wire by hand into the gun so that the wire reaches the wire liner.



6. Close the pressure handle so that the filler wire is locked between the feed rolls.



7. Adjust the pressure of the feed roll with the pressure adjustment wheel.



The graduated scales on the pressure arm indicate the pressure applied to the feed rolls. Adjust the pressure of the feed rolls according to the table below.

Filler wire material	Feed roll profile*	Filler wire diameter (mm)	Adjustment (x100N)
Fe/Ss solid	V-groove	0.8–1.0	1.5–2.0
		≥ 1.2	2.0–2.5
MC/FC	V-groove, knurled	≥ 1.2	1.0–2.0
Al	U-groove	1.0	0.5–1.0
		1.2	1.0–1.5



Excessive pressure flattens the filler wire and may damage coated or cored filler wires. Excessive pressure also unnecessarily wears the feed rolls and increases gearbox load.

8. Drive the filler wire into the welding gun by using the wire inch function in the system settings or by long pressing the left control knob button. Stop when the wire reaches the welding gun's contact tip.



Watch out for the wire when it reaches the contact tip and exits the gun.




Before welding, ensure that the welding parameters and settings conform to your welding setup.

** Feed roll profiles and corresponding symbols*

Feed roll profile	Symbol
V-groove	V
V-groove, knurled	V ≡
U-groove	U

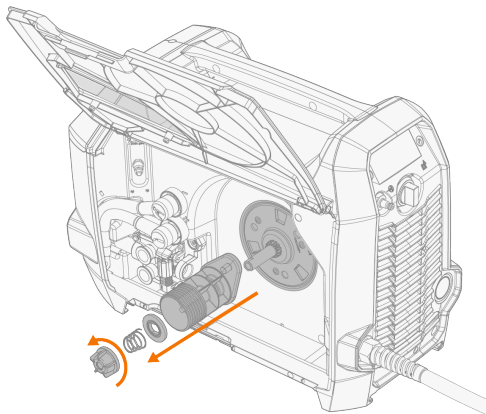
2.7 Installing and changing wire (100 mm spool)

This section describes how to install and change a 100 mm spool. For instructions on installing and changing a 200 mm spool, refer to "Installing and changing wire (200 mm spool)" on page 19.



-  *Install the welding gun to the Master M device before installing the wire spool.*
-  *When changing the wire spool, remove the remaining filler wire from the welding gun and wire feed mechanism before removing the wire spool.*
-  *Always ensure that the feed rolls are suitable for the filler wire (diameter and material) in question. For more information, refer to "Wire feeder consumables" on page 69.*

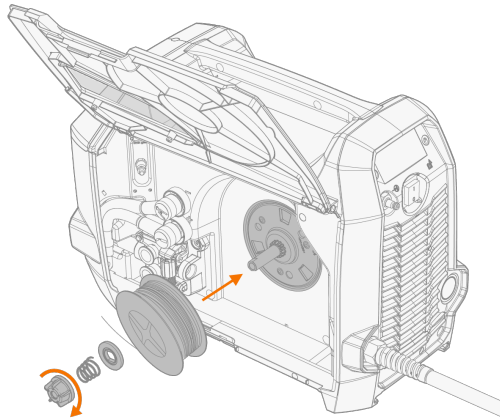
To remove the standard spool hub:

1. Open the wire feed cabinet hatch.
2. If not already, remove the wire spool (refer to "Installing and changing wire (200 mm spool)" on page 19).
3. Loosen the spool hub fastener and remove the spool hub.

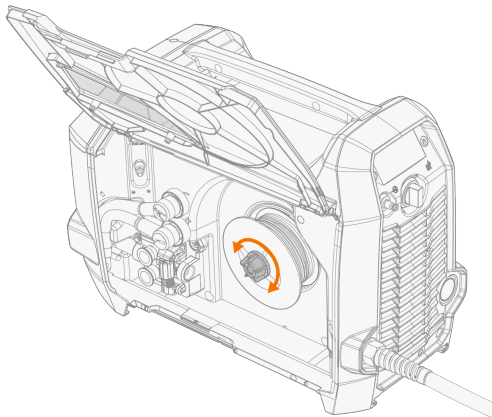


To install a 100 mm wire spool:

1. Insert the wire spool, spring friction plate, spring and spool hub fastener onto the spool hub. Secure the wire spool in place by tightening the spool hub fastener.
-  *Ensure that the wire spool is facing the right direction, the filler wire running from the bottom of the spool to the feed rolls.*
 -  *Ensure that the grooved side of the spring friction plate faces outward.*



2. If needed, adjust the spool braking force by turning the spool hub fastener.

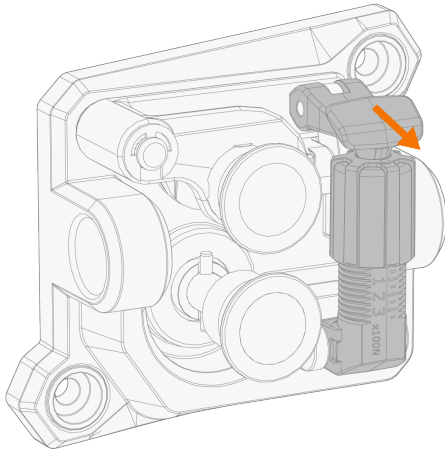


To install the filler wire, refer to "Installing and changing wire (200 mm spool)" on page 19.

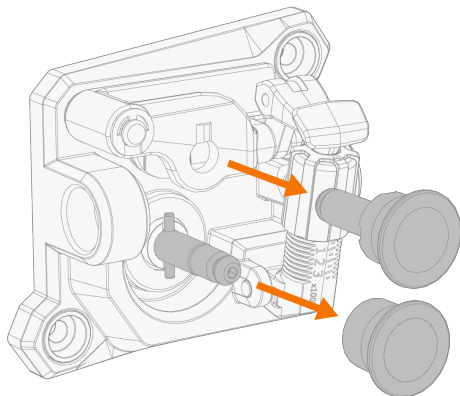
2.8 Installing and replacing feed rolls

Replace the feed rolls when the filler wire diameter or material changes. Select the feed rolls according to the tables in "Wire feeder consumables" on page 69.

1. Open the wire feed cabinet hatch.
2. Release the pressure handle.

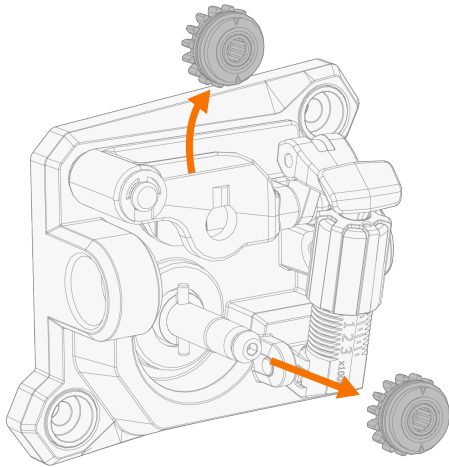


3. Pull the pressure roll mounting pin and drive roll mounting cap off.



i The pressure roll's mounting pin has a central axle attached to it, whereas the drive roll's central axle acts as a drive shaft attached directly to the wire feed mechanism/motor.

4. Remove the feed rolls.

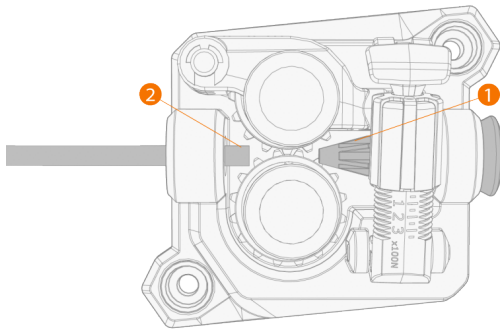


5. Follow the previous steps in reverse to install the wire feed rolls. Align the cut on the drive roll's bottom with the pin on the drive shaft.
6. Reattach the mounting cap and mounting pin to lock the drive roll and pressure roll into their places.
7. Close the pressure handle. Refer to "Installing and changing wire (200 mm spool)" on page 19 for more information on the wire installation.
8. Close the wire feed cabinet hatch.

2.9 Installing and replacing wire guide tubes

The wire feed mechanism includes two wire guide tubes. Replace them when the filler wire diameter or material changes. Select the wire guide tubes according to the tables in "Wire feeder consumables" on page 69.

 When replacing the outlet guide tube, the welding gun must be detached.






1. Inlet guide tube
2. Outlet guide tube

To replace the wire guide tubes:

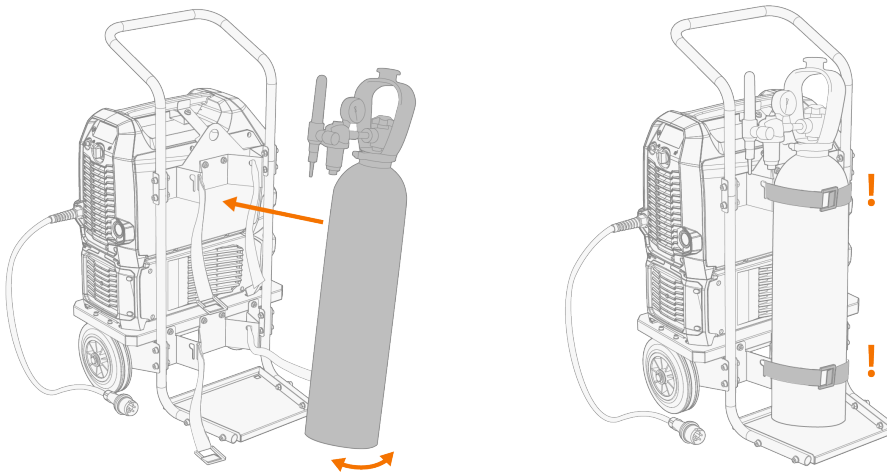
1. Release the pressure handle and remove the filler wire from the system.
2. Pull out the inlet guide tube (1) and insert a new one in its place.
3. Push out the outlet guide tube (2) and insert a new one in its place.
4. Close the pressure arm.

2.10 Installing gas bottle and testing gas flow

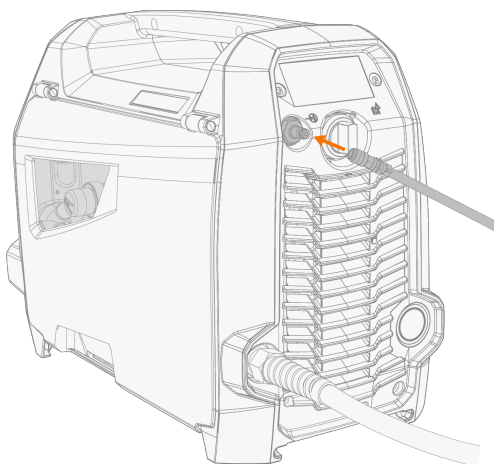
-  *Handle gas bottles with care. There is a risk of injury if the gas bottle or the bottle valve is damaged!*
-  *Always secure the gas bottle properly in an upright position to a special holder on the wall or on the welding equipment cart. Always keep the gas bottle valve closed when not welding.*
-  *- If a cart with a gas bottle rack is used, install the gas bottle on the cart first, then make the connections.*
- The maximum recommended size of the gas bottle to be installed on the T22M cart is 20 liters.
- Install the welding gun to the welding device before installing and testing the gas bottle.

Contact your local Kemppi dealer for choosing the gas and the equipment.

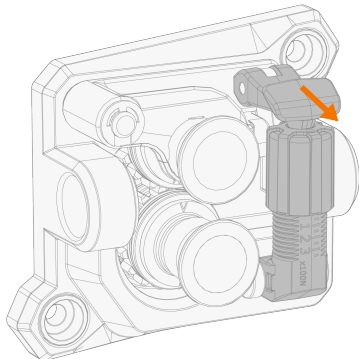
1. Without gas bottle cart: Place the gas bottle in a suitable, secure location.
2. With gas bottle cart: Move the gas bottle on the transport unit's gas bottle rack and secure it in place with the straps and fixing points provided.



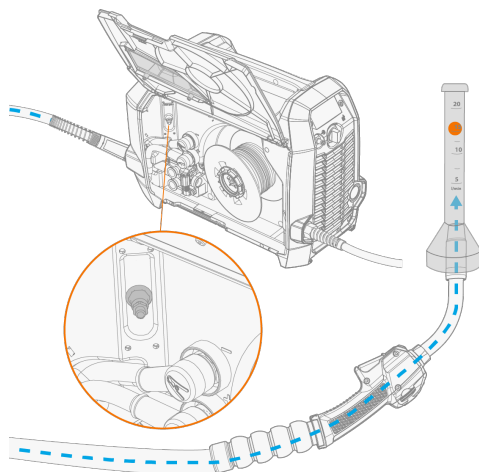
3. If not already, connect the welding gun to the welding device (refer to "Connecting welding gun" on page 17).
4. Connect the gas hose to the welding device.



5. Open the gas bottle valve.
6. If the filler wire is installed, release the pressure arm of the wire feed mechanism to prevent wire feeding.



7. Start gas flow by using the gas test function in the system settings or by pressing the welding gun trigger.
8. Check and adjust the gas flow. Use the built-in gas regulating valve (Master M 323 only), or an external flow meter and regulator for measuring and adjustment.



Recommended gas flow rates (for general guidance only):






	TIG*	MIG**
Argon	5...15 l/min	10...25 l/min
Helium	15...30 l/min	-
Argon + 18-25% CO2	-	10...25 l/min
CO2	-	10...25 l/min

* Depending on the gas nozzle size.

** Depending on the gas nozzle size and welding current.

3. OPERATION

Before using the equipment, ensure that all the necessary installation actions have been completed according to your equipment setup and instructions.

-  *Welding is forbidden in places where there is an immediate fire or explosion hazard!*
-  *The wire feed cabinet hatch must be kept closed when welding.*
-  *Check that there is enough space for cooling air circulation in the machine vicinity.*
-  *If the welding equipment is left unused for a longer period, disconnect the mains plug from the mains.*
-  *Always check before use that shielding gas hose, earth return cable and clamp and mains cable are in serviceable condition. Ensure that the connectors are correctly fastened. Loose connectors can impair welding performance and damage connectors.*

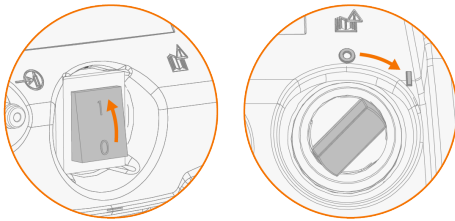
3.1 Preparing welding system for use

Before starting the use of the welding equipment:

- Ensure the installation has been completed
- Switch the welding equipment on
- Prepare the cooler
- Connect the earth return cable
- Calibrate the welding cable (in MIG operation mode only)
>> Refer to "Calibrating welding cable" on page 35 for instructions.

Turning on welding system

To turn on the welding equipment, depending on the model, switch or turn the power source main switch to ON (I).



Use the main switch to start and shut down the welding equipment. Do not use the mains plug as a switch.

 *If the machine is left unused for a longer period, detach the mains plug to disconnect it from the mains.*

Preparing cooler

Fill the coolant container inside the cooler with Kemppi cooling liquid and bleed the cooler before use. For instructions on filling and bleeding the cooler, refer to "Preparing cooler" on the next page.

To weld, you must pump the coolant through the system by pressing the coolant circulation button in the front panel of the cooling unit.

Connecting earth return cable


 *Keep the work piece connected to earth to reduce the risk of injury to users or damage to electrical equipment.*

Attach the earth return cable clamp on the work piece.

Ensure that the contact surface is clean of metal oxide and paint and that the clamp is firmly secured.

Selecting operation mode and process

To select the operation mode (MIG/TIG/MMA), refer to "Using control panel" on page 36.

 *For TIG welding, the polarity (+/-) must be switched. For information, refer to "Changing welding polarity" on page 49.*

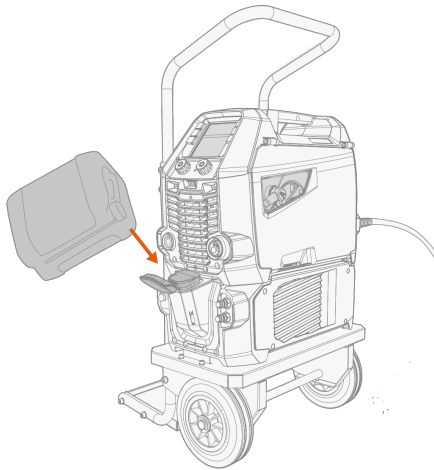
 *In MMA welding, the VRD (Voltage Reduction Device) limits the open-circuit voltage to 24 V.*

3.1.1 Preparing cooler

To fill the cooler:

Fill the cooler with 20-40 % coolant solution, for example, Kemppi cooling liquid.

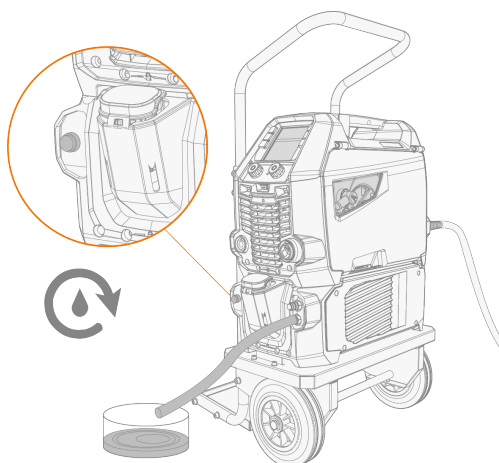
1. Open the cooler cap.
2. Fill the cooler with coolant. Do not fill over the max. marking.



3. Close the cooler cap.

To bleed the cooler:

1. Connect the bleeding hose included in the Master M delivery package to the coolant outlet connector.
2. Place a container under the other end of the hose to collect coolant coming from the cooler.
3. Push the cooling liquid circulation button until coolant starts to come out of the hose.

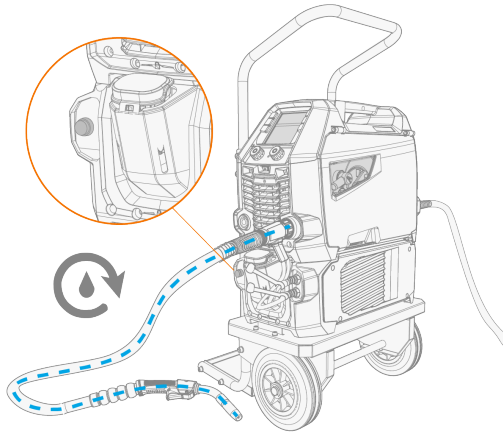


4. Release the cooling liquid circulation button and remove the bleeding hose.
5. Connect the welding gun as instructed in section "Connecting welding gun" on page 17.

To circulate the coolant:

Press the coolant circulation button in the cooler front panel. It activates the motor, which pumps the coolant to the hoses and to the welding gun.

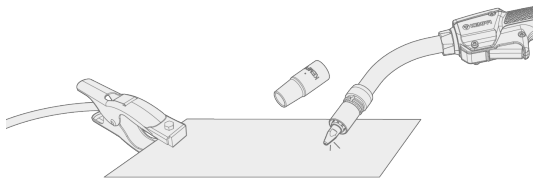
Complete the coolant circulation operation after each time you change the welding gun.



3.2 Calibrating welding cable

The welding cable resistance can be measured using the built-in cable calibration function without an additional measurement cable. This calibration function is available only in MIG operation mode.

1. Connect the earth return cable between the welding device and work piece.
2. Remove the welding gun gas nozzle.
3. Connect the welding gun to the welding device.
4. Turn the welding device on.
5. On the control panel, go to system settings and enable cable calibration (refer to "Control panel: System settings" on page 44).
6. Touch the cleaned work piece briefly with the welding gun contact tip.

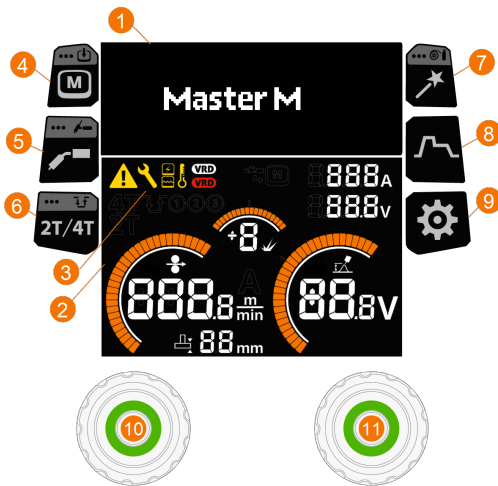


i *There is no need to press the trigger. Trigger function is disabled at this stage.*

7. Using the control panel, confirm the measured values.

3.3 Using control panel








The Master M control panel includes features and functions for MIG welding with the options to use Master M also for TIG and MMA welding.



General

1. Settings display
2. Welding display
3. Indicators (for descriptions of the symbols, refer to the Indicators table below)
4. Memory channels button (MIG only)
 - >> Shortcut to the memory channel selection
 - >> Long-press (> 1 second) opens a dialog for saving changed welding parameters to a memory channel
 - >> Memory channel selection is not available with TIG and MMA welding processes as there is one memory channel for each process
5. Welding process / operation mode button
 - >> Shortcut to welding process selection
 - >> Long-press (> 1 second) opens a dialog for switching between MIG / TIG / MMA modes
6. Trigger logic button
 - >> Switches between 2T and 4T trigger logic
 - >> Long-press (> 1 second) opens the Powerlog settings (4T only). Powerlog trigger logic is not available with manual MIG and MAX Cool processes.
7. Weld Assist button
 - >> Shortcut to Weld Assist
 - >> Long-press (> 1 second) opens the filler wire and shielding gas settings adjustment required for using the 1-MIG process
8. Welding parameters button
 - >> Shortcut to the welding parameters view
9. Settings button
 - >> Shortcut to the system settings view
10. Left control knob
 - >> Adjustment and selection
11. Right control knob
 - >> Adjustment and selection.

Indicators

Symbol	Description
	General notification There is a problem that requires attention.
	Service / repair
	Power source
	Cooling unit
	High temperature indicator (overheating)
 	VRD (Voltage Reduction Device): White VRD symbol is on = VRD is on Red VRD symbol is blinking = There is a fault with VRD that prevents welding.

Views

- A. [Main view](#)
- B. [Memory channels](#)
- C. [Welding processes](#)
- D. [Welding parameters](#)
- E. [Trigger logic](#)
- F. [Weld Assist](#)
- G. [Weld data](#)
- H. [System settings](#)

3.3.1 Control panel: Main view

The Master M control panel's main view consists of the settings display and welding display. The content displayed depends on the welding process and features and functions used.



1. Memory channel (and filler wire and shielding gas settings, if defined)
2. Active welding process
3. Applied welding functions*
4. Applied trigger logic function
5. Wire feed speed
 >> The value range is defined by the active welding program, step 0.1, default = 5.0 m/min
6. Current and voltage
7. Dynamics
 >> Controls the short circuit behavior of the arc. The lower the value the softer the arc, the higher the value the rougher the arc. Value range: -9 ... +9, default = 0
8. Welding voltage
 >> With 1-MIG process, voltage fine tuning is displayed
 >> With MAX Cool process, fine tuning of the heat output is displayed.

Control knob functions


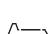
Left control knob:

- Manual MIG: Wire feed speed adjustment
- 1-MIG: Wire feed speed adjustment
- Pulse MIG: Wire feed speed adjustment
- TIG/MMA: Welding current adjustment.

Right control knob:

- Manual MIG: Welding voltage and dynamics adjustment
- 1-MIG: Dynamics adjustment and fine tuning of welding voltage and switching between the adjustments with the control knob button
- Pulse MIG: Fine tuning of welding voltage
- MMA: Dynamics adjustment.

* Applied welding functions

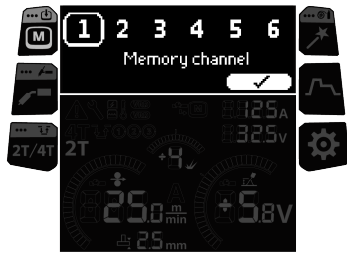
Graph	Description
	Hot start, Powerlog and crater fill OFF.
	Hot start and crater fill ON.



Hot start, Powerlog (power levels) and crater fill ON.

3.3.2 Control panel: Memory channels

There are 6 memory channels available in MIG welding.



Selecting memory channel

1. Turn the right control knob to highlight the desired memory channel.
2. Press the right control knob to select the memory channel.

Saving changes to memory channel

1. Adjust welding parameters.
2. Long-press the memory channel button.
3. The channel number framed by a dashed line indicates that the set welding parameters are different from the ones currently saved on the active memory channel:

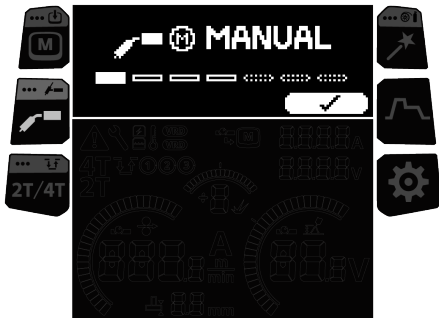


4. Save the changes to the active memory channel by pressing the right control knob or select another channel by turning the right control knob.

3.3.3 Control panel: Welding process

Welding process is selected in the Welding process view. For more information on welding processes, refer to "Additional guidance to functions and features" on page 47.

Pulse welding is possible with Master M 205.



Selecting welding process

1. Turn the right control knob to highlight the desired welding process.

i Only a welding process that supports the set filler wire and shielding gas combination can be selected. If the filler wire and shielding gas settings are not defined, then only manual MIG process is available. The filler wire and shielding gas settings can be changed at any time by long-pressing the Weld Assist button.

2. Press the right control knob to confirm selection.

3.3.4 Control panel: Trigger logic

Welding guns can have several alternative trigger operation modes (trigger logics). Most common are 2T and 4T. In 2T mode you hold the trigger down while welding. In 4T mode you press and release the trigger to start or to stop welding. For more information on trigger logic, refer to "Trigger logic functions" on page 48.

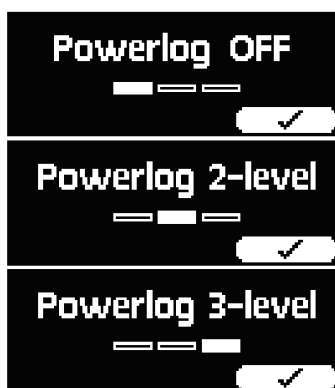
Switching between 2T and 4T trigger logic

1. Press the [trigger logic button](#).

Selecting Powerlog (4T only)

Powerlog is not available with manual MIG and MAX Cool processes.

1. Long-press the [trigger logic button](#).
2. Choose whether 2 or 3 power levels are used by turning and pressing the right control knob.



3. In the main view, set up the wire feed speed, fine tuning of welding voltage and dynamics for each level.
 - >> To switch between the voltage fine tuning and dynamics adjustments, press the right control knob.
 - >> To switch between power levels, press the left control knob.

Tip: To turn off Powerlog and activate the 2T trigger logic, press the trigger logic button.

3.3.5 Control panel: Weld Assist

Weld Assist is a wizard-like utility for easy selection of welding parameters. The utility walks the user step-by-step through the selection of required parameters, presenting the selections in an easily understandable way. In Weld Assist, the selections are made with the two control knobs.

Weld Assist is available for MIG welding.

i The currently selected filler wire and shielding gas information is shown and used as a basis in Weld Assist. If necessary, the filler wire and shielding gas settings can be changed by long-pressing the Weld Assist button.

1. Press first the Weld Assist button to open the view and then press the right control knob to continue to the selections.



2. Select:

>> Material thickness (1...10 mm). (With PG position, the maximum material thickness is 3 mm.)



>> Joint type: butt joint / corner joint / edge joint / lap joint / T-joint / tube joint / tube+plate joint.



>> Position: PA / PB / PC / PD / PE / PF / PG.



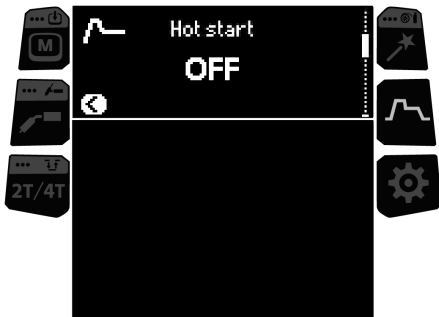
3. Weld Assist gives you a recommendation for these welding parameters:
 - >> Wire feed speed
 - >> Current
 - >> Voltage
4. Confirm the Weld Assist's recommendation for welding parameters by saving the parameter values to a memory channel.

Tip: You can go back step by step in Weld Assist by pressing the left control knob.

Once the recommended values are saved, they are automatically applied. The welding parameters created with Weld Assist are still adjustable as per normal.

3.3.6 Control panel: Welding parameters

Welding parameters are welding process specific and are visible and available for adjustment accordingly. The welding process selection is based on the active memory channel and its settings.



Adjusting welding parameters

1. Turn the right control knob to highlight the desired welding parameter.
2. Press the right control knob to select the welding parameter for adjustment.
3. Turn the right control knob to adjust the welding parameter value.
 - >> Depending on the parameter to be adjusted, refer also to the Welding parameters table below for more details.
4. Confirm the new value / selection by pressing the right control knob.

Welding parameters

Manual MIG and 1-MIG welding parameters

The parameters listed here are available for adjustment with the manual MIG and 1-MIG processes.

Parameter	Parameter value	Description
Post current	-30 ... +30 Default = 0	Post current setting affects the wire length at the weld end, for example to prevent the wire from stopping too close to the weld pool. This also enables the optimum wire length for the start of the next weld.
Creep start level	10...90 %, step 1	The Creep start function defines the wire feed speed before the welding arc ignites, that is, before the filler wire comes in contact with the workpiece. When the arc ignites, the wire feed speed is automatically switched to the normal user-set speed. The Creep start function is always on.
Pre gas	0.0 ... 9.9 s, step 0.1 0.0 = OFF	Welding function that starts the shielding gas flow before the arc ignites. This ensures that the metal does not come into contact with air at the start of the weld. Time value is preset by the user. Used for all metals, but especially for stainless steel, aluminum and titanium.
Post gas	0.0 ... 9.9 s, step 0.1 0.0 = OFF	Welding function that continues the shielding gas flow after the arc has extinguished. This ensures that the hot weld does not come into contact with air after the arc is extinguished, protecting the weld and also the electrode. Used for all metals. Especially stainless steel and titanium require longer post gas times.

1-MIG welding parameters

The parameters listed here are available for adjustment with the 1-MIG process.

Parameter	Parameter value	Description
Hot start	ON/OFF Default = OFF	Welding function that uses higher or lower wire feed speed and welding current at the start of the weld. After the Hot start period the current changes to normal welding current level. This facilitates the start of the weld especially with aluminum materials. The Hot start level and time (only in 2T trigger mode) are preset by the user.
- Hot start level	-40 ... +100 %, step 1 Default = +40 %	
- Hot start time	0.1 ... 10.0 s, step 0.1 Default = 1.2 s	

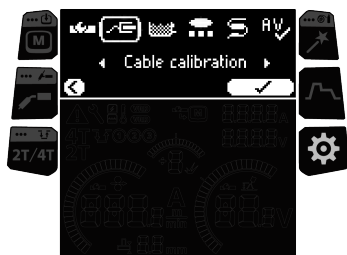
Crater fill	ON/OFF Default = OFF	When welding with high power, a crater is usually formed at the end of the weld. The Crater fill function decreases the welding power / wire feed speed at the end of the welding job so that the crater can be filled using a lower power level. Crater fill duration, wire feed speed and voltage are preset by the user. The crater fill start level cannot be smaller than the crater fill end level. When the 4T timer is set to ON, releasing the trigger during crater fill does not end welding.
- Crater fill start level	10 ... 150 %, step 1 Default = 100 %	
- Crater fill time	0.1 ... 10.0 s, step 0.1 Default = 1.0 s	
- Crater fill end level	10 ... 150 %, step 1 Default = 10 %	
- Crater fill 4T timer	ON/OFF	

Pulse welding parameters (Master M 205 only)

The parameters listed here are available for adjustment with the pulse welding process in addition to the MIG and 1-MIG welding parameters. For more information on the processes, refer to "Additional guidance to functions and features" on page 47.

Parameter	Parameter value	Description
Pulse current %	-10 ... 15 % Default = 0 %	The pulse current relative to the base current in pulse welding.

3.3.7 Control panel: System settings



Changing settings

1. Turn the right control knob to highlight the desired settings parameter.
2. Press the right control knob to select the settings parameter for adjustment.
3. Turn the right control knob to select the settings value.
 - >> Depending on the settings parameter to be adjusted, refer also to the Settings table below for more details.
4. Confirm the new value / selection by pressing the right control knob.

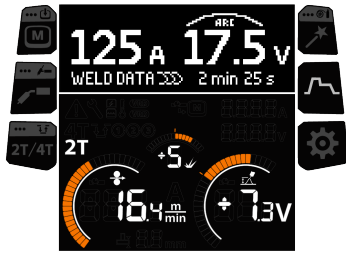
Settings

Parameter	Parameter value	Description
Remote	ON/OFF	Select whether remote is used.
Remote selection	Gun remote	If Remote is ON, then GXR10 gun remote control is used for controlling the wire feed speed or memory channels.

Cable calibration (MIG only)	Start/Cancel	Calibration information on the previous calibration is also shown. Refer to "Calibrating welding cable" on page 35 for cable calibration.
Water cooler	OFF/Auto/ON Default = Auto	When ON is selected, the coolant is circulated continually, and when Auto is selected, the coolant is circulated only during welding.
Cycle timer	ON/OFF Default = OFF	Cycle timer is a welding function that automatically produces a weld of pre-defined duration.
- Cycle timer time	0.0 ... 60.0 s Default = 2.0 s	
WF end step	OFF/ON Default = OFF	Wire feed end step feature prevents the filler wire from sticking to the contact tip when the welding ends.
Weld data duration	0...10 s, step 1 Default = 5 s	This defines how long the weld data summary is shown after each weld.
Safe wire inch (MIG only)	OFF/ON Default = ON	When ON, and the arc doesn't ignite, the filler wire is fed 5 cm. When OFF, 5 m of filler wire is fed.
Gas guard (Master M 323 only)	ON/OFF Default = OFF	Gas guard prevents welding without shielding gas.
Voltage display	Arc voltage / Terminal voltage Default = Arc voltage	This defines which is shown on the control panel display, arc or terminal voltage.
Wire inch	0.5 ... 18.0 m/min Default = 5.0 m/min	Drive the filler wire forward (with arc off).
Gas test	0 ... 60 s Default = 20 s	Test the shielding gas flow and flush the gas line.
Language	Available languages	
PIN code	ON/OFF	4-digit PIN code for locking the control panel after 30 s of inactivity. PIN lock does not prevent welding, browsing Powerlog levels or selecting memory channel.
Device info		Shows information on the device and its usage.
Factory reset	Reset/Cancel Default = Cancel	Restores factory settings. Note that the arc verification parameter value is also reset.

3.3.8 Control panel: Weld data

After each weld, a weld summary is displayed briefly. To change the weld data view duration, refer to "Control panel: System settings" on the previous page.



3.4 Additional guidance to functions and features

This section summarizes some of the Master M functions and features and how to use them.

3.4.1 1-MIG

Using 1-MIG requires that filler wire and shielding gas settings are defined. The filler wire and shielding gas settings can be defined by long pressing the Weld Assist button.

1-MIG is a MIG/MAG welding process where the voltage is defined automatically when you adjust the wire feed speed. The voltage is calculated based on the welding program in use. The process is suitable for all materials, shielding gases and welding positions.

3.4.2 Pulse welding

Pulse welding is possible with the Master M 205 machine (220...240 V).

Pulse



Pulse is an automatic MIG/MAG welding process where the current is pulsed between the base current and the pulse current. The advantages of Pulse are a higher welding speed and deposition rate compared to short-arc welding, lower heat input compared to spray-arc welding, a spatter-free globular arc and smooth appearance of the weld. Pulse is suitable for all position welding. It is excellent for welding aluminum and stainless steel, especially when the material thickness is small.

- >> To take Pulse into use, press the control panel's [welding process button](#) and select Pulse.
- >> The corresponding pulse welding parameters become available for adjustment. For more information, refer to 'Pulse welding parameters' in [Control panel: Welding parameters](#).

3.4.3 MAX Cool process

Available as an option in Master M 323.

MAX Cool is a short arc MIG/MAG welding process that is designed for root pass welds and sheet metal (thin sheet) applications. It's fully current-controlled welding process. MAX Cool does not require the use of a separate voltage sensing cable.

MAX Cool is suitable for all welding positions and provides a smooth arc, reducing spatter.

- >> To take MAX Cool into use, press the control panel's [welding process button](#) and select MAX Cool.
- >> To adjust the wire feed speed, in the [Main view](#), turn the left control knob. The adjustment's effect on the plate thickness is also shown.
- >> To fine-tune the heat output, in the [Main view](#), turn the right control knob.

MAX Cool supports these filler wire and shielding gas combinations:

- Fe solid & Ar + 8...25 % CO₂ (1.0 mm, 1.2 mm)
- Fe solid & CO₂ (1.0 mm, 1.2 mm)
- Ss solid & Ar + 2 % CO₂ (1.0 mm, 1.2 mm)
- CuSi3 & Ar (1.0 mm)
- CuAl8 & Ar (1.0 mm).

3.4.4 Trigger logic functions

Switch between the 2T and 4T trigger logic by pressing the control panel's [trigger logic button](#).

2T

In 2T, pressing the trigger ignites the arc. Releasing the trigger switches the arc off.



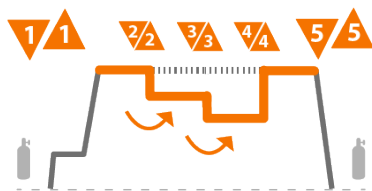
4T

In 4T, pressing the trigger starts the pre gas, and releasing the trigger ignites the arc. Pressing the trigger again switches the arc off. Releasing the trigger ends the post gas.



Powerlog

Powerlog trigger logic function allows the user to switch between two or three different power levels. In Powerlog, pressing the trigger starts the pre gas, and releasing the trigger ignites the arc. A quick press of the trigger during welding switches between levels (after the last defined power level the first level is selected). Long-pressing the trigger at any of the levels during welding switches the arc off.



To take Powerlog into use, long-press the [trigger logic button](#) and choose whether 2 or 3 power levels are used. Set up the power levels for this function. The parameters available for adjustment for each level are:

- Wire feed speed
- Voltage / Fine tuning
- Dynamics.

 Powerlog trigger logic is not available with manual MIG and MAX Cool processes.

3.5 Changing welding polarity

Welding polarity needs to be changed for TIG welding. Also, some filler wires require changing the welding polarity. Check the recommended welding polarity on the filler wire package.

 Before handling electrical parts, ensure the welding device is disconnected from the mains.


Tools needed:

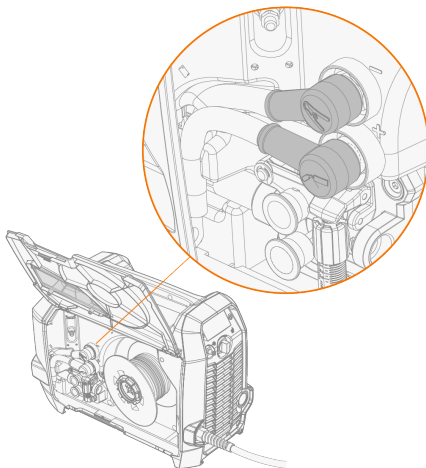


17 mm

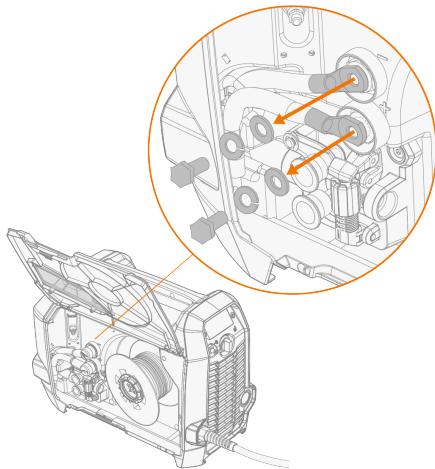
Turn off the welding device and disconnect it from the mains.

1. Open the wire feed cabinet hatch.
2. Remove the protective rubber covers from the polarity terminals.

 Use caution when handling electrical parts.



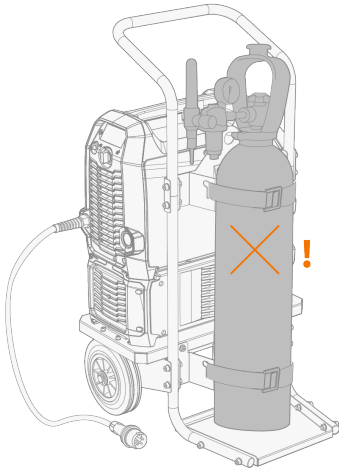
3. Remove the terminal tightening bolts and washers.



4. Connect the cables to the polarity terminals according to the polarity recommendation.
5. Replace the washers and bolts. Tighten to 17 Nm torque.
6. Replace the protective rubber covers.

3.6 Lifting Master M equipment

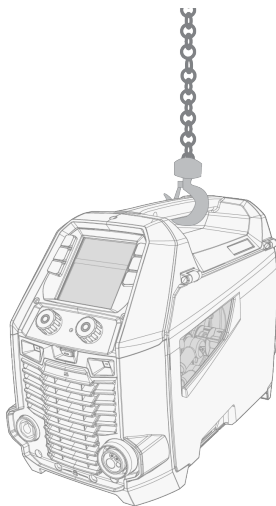
 *If a gas bottle is installed on cart, DO NOT attempt to lift the cart with the gas bottle in place.*



Transportation handle:

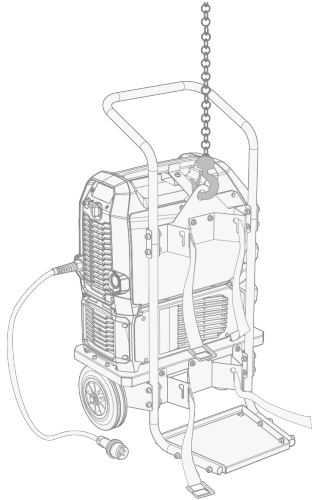
The transportation handle can be used for mechanical lifting (for moving only, not for hanging) when the device is not mounted on a cooling unit or cart.

Connect the hoist hook to the transportation handle.



2-wheel cart:

1. Ensure that the welding equipment is properly secured to the cart.
2. Connect the hoist hook to the lifting handle on the cart.



Do not lift the device when it is installed on the T32A cart.

4. MAINTENANCE

When considering and planning routine maintenance, consider the operating frequency of the welding system and the working environment.

Correct operating of the welding machine and regular maintenance helps you avoid unnecessary downtime and equipment failure.

4.1 Daily maintenance



Disconnect the power source from the mains before handling electrical cables.

Welding machine maintenance

Follow these maintenance procedures to maintain the proper functioning of the welding machine:

- Check that all covers and components are intact.
- Check all the cables and connectors. Do not use them if they are damaged and contact service for replacements.
- Check the wire feed rolls and the pressure handle. Clean and lubricate with a small quantity of light machine oil if needed.

For repairs, contact Kemppi at www.kemppi.com or your dealer.


Welding gun maintenance

For Flexlite GX MIG gun instructions, refer to userdoc.kemppi.com.

4.2 Periodic maintenance

 *Only qualified service personnel is allowed to carry out periodic maintenance.*

 *Only an authorized electrician is allowed to carry out electrical work.*

 *Before removing the cover plate, disconnect the power source from the mains and wait for about 2 minutes before discharging the capacitor.*

Check the electric connectors of the unit at least every six months. Clean oxidized parts and tighten loose connectors.

 *Where applicable, use the correct tension torque when fastening loose parts.*

Clean the outside parts of the unit from dust and dirt, for example, with a soft brush and vacuum cleaner. Also clean the ventilation grill at the back of the unit. Do not use compressed air, there is a risk that the dirt will compact even more tightly into gaps of cooling profiles.

 *Do not use pressure washing devices.*

4.3 Service workshops

Kemppi Service Workshops complete the welding system maintenance according to the Kemppi service agreement.

The main aspects in the service workshop maintenance procedure are:

- Cleanup of the machine
- Maintenance of the welding tools
- Checkup of the connectors and switches
- Checkup of all electric connections
- Checkup of the power source mains cable and plug
- Repair of defective parts and replacement of defective components
- Maintenance test
- Test and calibration of operation and performance values when needed

Find your closest service workshop at [Kemppi website](#).

4.4 Troubleshooting

i *The problems listed and the possible causes are not definitive, but suggest some typical situations that may turn up during normal use of the welding system.*

Welding device:

Problem	Recommended actions
The welding device does not power up	Check that the mains cable is plugged in properly.
	Check that the mains switch of the power source is at the ON position.
	Check that the mains power distribution is on.
	Check the mains fuse and/or the circuit breaker.
	Check that the interconnection cable between the power source and the wire feeder is intact and properly attached.
The welding device stops working	Check that the earth return cable is connected.
	Gas-cooled gun may have overheated. Wait for it to cool down.
	Check that none of the cables is loose.
	The wire feeder may have overheated. Wait for it to cool down and see that the welding current cable is properly attached.
	The power source may have overheated. Wait for it to cool down and see that the cooling fans work properly and the air flow is unobstructed.

Wire feeding:

Problem	Recommended actions
The filler wire on the spool unravels	Check that the spool locking cover is closed.
The wire feed mechanism does not feed the filler wire	Check that the filler wire has not run out.
	Check that the filler wire is properly routed through the feed rolls to the wire liner.
	Check that the pressure handle is properly closed.
	Check that the feed roll pressure is adjusted correctly for the filler wire.
	Check that the welding cable is properly connected to the wire feeder.
	Blow compressed air through the wire liner to check that it is not blocked.

Weld quality:

Problem	Recommended actions
Dirty and/or poor quality weld	Check that the shielding gas has not run out. Check that the shielding gas flow is unobstructed. Check that the gas type is correct for the application. Check the polarity of the gun/electrode. Check that the welding procedure is correct for the application.
Varying welding performance	Check that the wire feed mechanism is adjusted properly. Blow compressed air through the wire liner to check that it is not blocked. Check that the wire liner is correct for the selected wire size and type. Check the welding gun contact tip's size, type and wear. Check that the welding gun is not overheating. Check that the earth return clamp is properly attached to a clean surface of the workpiece.
High spatter volume	Check the welding parameter values and welding procedure. Check the gas type and flow. Check the polarity of the gun/electrode. Check that the filler wire is correct for the current application.

"Error codes" on the next page

4.5 Error codes


In error situations, the control panel displays the number, title and possible cause of the error, and a proposed action to fix the issue.

Error			
Code	Title	Possible cause	Proposed action
1	Power source not calibrated	Power source calibration has been lost.	Restart the power source. If problem persists, contact Kemppi service.
2	Too low mains voltage	Voltage in mains network is too low.	Restart the power source. If problem persists, contact Kemppi service.
3	Too high mains voltage	Voltage in mains network is too high.	Restart the power source. If problem persists, contact Kemppi service.
4	Power source is overheated	Too long welding session with high power.	Do not shut down, let the fans cool the machine. If fans are not running, contact Kemppi service
5	Internal 24V voltage is too low	Power source contains an inoperative 24V power supply unit .	Restart the power source. If problem persists, contact Kemppi service.
10	Unsupported welding process	There is an unsupported welding process in the memory channel.	Check that all memory channel definitions are supported.
12	Welding cable failure	Plus and minus cables are connected together.	Check the connections of welding cable and earth return cable.
13	IGBT overcurrent	Inoperative mains transformer in power source.	Restart the power source. If problem persists, contact Kemppi service.
14	IGBT overheated	Too long welding session with high power or high ambient temperature.	Do not shut down, let the fans cool the machine. If fans are not running, contact Kemppi service.
16	Main transformer is overheated	Too long welding session with high power or high ambient temperature.	Do not shut down, let the fans cool the machine. If fans are not running, contact Kemppi service
17	Phase is missing from mains supply	One or more phases are missing from the mains supply.	Check the mains cable and its connectors. Check the voltage of mains supply.
20	Power source cooling failure	Cooling capacity is reduced in the power source.	Clean the filters and clear any dirt from the cooling channel. Check that the cooling fans are running. If not, contact Kemppi service.
24	Cooling liquid overheated	Too long welding session with high power or high ambient temperature.	Do not turn off the cooler. Let the liquid circulate until the fans cool it down. If fans are not running, contact Kemppi service.
26	Cooling liquid not circulating	No cooling liquid or circulation is blocked.	Check the liquid level in the cooler. Check hoses and connectors for blockage.
27	Cooler not found	Cooling is turned on in the settings menu, but cooler is not connected to power source or cabling is faulty.	Check the cooler connections. Ensure that the cooling is turned off in the settings menu, if the cooler is not in use.
33	Welding cable calibration failure	Welding cable calibration failed.	Check the welding system cables and their connections.
35	Too high mains current	Current drawn from the mains is too high.	Reduce welding power.
40	VRD error	Open circuit voltage exceeds the VRD limit.	Restart the power source. If problem persists, contact Kemppi service.

42	High current in wire feeder motor	There may be too much pressure in the wire feed rolls or dirt in the wire line.	Adjust the feed roll pressure. Clean the wire line. Change worn parts in the welding gun.
43	Overcurrent in wire feeder motor	There may be too much pressure in the wire feed rolls or dirt in the wire line.	Adjust the feed roll pressure. Clean the wire line. Change worn parts in the welding gun.
44	Wire speed measurement is missing	Faulty sensor or wiring in wire feeder.	Restart the welding system. If problem persists, contact Kemppi service.
45	Low gas pressure	Shielding gas pressure is too low.	Check and adjust the shielding gas flow.
65	Subfeeder not allowed	Use of subfeeder is not allowed with selected welding process.	Remove the subfeeder or change the welding process.
244	Internal memory failure	Initialization failed (%sub:%device).	Restart welding system. If problem persists, contact Kemppi service.
250	Internal memory failure	Memory communication failed (%sub:%device).	Restart welding system. If problem persists, contact Kemppi service.

4.6 Installing and cleaning power source air filter (optional)

An optional power source air filter can be purchased separately. The air filter comes with a fixed casing designed to be mounted directly onto the power source air intake.

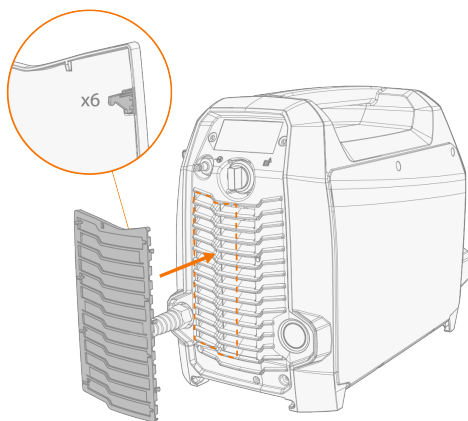
 Using the optional air filter decreases the rated power levels of the power source as follows (output 40 °C): 60% >>> 45% and 100% >>> 100%-20A. This is due to the slightly reduced cooling air intake.

Tools needed:



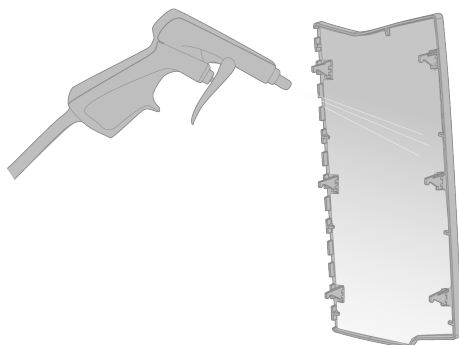
Installation and replacement

1. Place the air filter assembly onto the power source air intake, and lock it in place with the clips on the edge of the casing.



Cleansing

1. Remove the air filter from the power source by releasing the clips on the edge of the air filter casing.
2. Blow the air filter clean with compressed air.



4.7 Disposal



Do not dispose of any electrical equipment with normal waste!

In observance of WEEE Directive 2012/19/EU on waste of electrical and electronic equipment and European Directive 2011/65/EU on the restriction of the use of certain hazardous substances in electrical and electronic equipment, and their implementation in accordance with national law, electrical equipment that has reached the end of its life must be collected separately and taken to an appropriate environmentally responsible recycling facility. The owner of the equipment is obliged to deliver a decommissioned unit to a regional collection center, as per the instructions of local authorities or a Kempfi representative. By applying these European Directives you improve the environment and human health.

5. TECHNICAL DATA

Technical data:

- For Master M device technical data, refer to "Master M devices" on the next page.
- For Master M Cooler cooling unit technical data, refer to "Master Cooler 05M cooling unit" on page 68.

Additional information:

- For wire feeder consumable information, refer to "Wire feeder consumables" on page 69.
- For ordering information, refer to "Master M ordering info" on page 71.

5.1 Master M devices

Master M 205 GM

Master M 205			205 GM
Feature			Value
Mains connection voltage	1~50/60 Hz		110...130 V ±10 % 220...240 V ±10 %
Mains connection cable	HO7RN-F		2.5 mm ²
Input power at rated maximum current			6 kVA
Maximum supply current	@ 110...130 V	I_{1max}	28 ... 23 A
	@ 220...230 V	I_{1max}	27 A
Effective supply current	@ 110...130 V	I_{1eff}	16 A
	@ 220...230 V	I_{1eff}	16 A
Idle state power consumption	MIG, TIG @ 230 V	P_{1idle}	17 W
	MMA (power save) @ 230 V		17 W
	MMA (fans ON) @ 230 V		120 W
No-load voltage	@ 110...130 V	U_0	56 V
	@ 220...230 V	U_0	56 V
Open circuit voltage	@ 110...130 V	U_{av}	52 V
	@ 220...230 V	U_{av}	52 V
VRD voltage	MMA		24 V
Fuse	Slow		16/16 A
Output at +40 °C	30 % @ 110...130 V		120 A (MMA 100 A)
	40 % @ 220...230 V		200 A (MMA 175 A)
	60 % @ 110...130 V		95 A (MMA 80 A)
	60 % @ 220...230 V		170 A (MMA 150 A)
	100 % @ 110...130 V		75 A (MMA 65 A)
	100 % @ 220...230 V		140 A (MMA 120 A)
Welding current and voltage range	MIG @ 110...130 V		15 A / 10 V ... 120 A / 21 V
	MIG @ 220...230 V		15 A / 10 V ... 200 A / 28 V
	TIG @ 110...130 V		15 A / 1 V ... 120 A / 21 V
	TIG @ 220...230 V		15 A / 1 V ... 200 A / 28 V
	MMA @ 110...130 V		15 A / 10 V ... 100 A / 24 V
	MMA @ 220...230 V		15 A / 10 V ... 175 A / 31 V
Voltage adjustment range	MIG		10 ... 32 V
Power factor at rated maximum current	@ 230 V	λ	0.99
Efficiency at rated maximum current	@ 230 V	η	84 %

Operating temperature range		-20...+40 °C
Storage temperature range		-40...+60 °C
EMC class		A
Minimum short-circuit power of supply network	S_{SC}	-
Gun connection		Euro
Wire feed mechanism		2-roll, single-motor
Diameter of feed rolls		32 mm
Filler wires	Fe	0.8 ... 1.0 mm
	Ss	0.8 ... 1.0 mm
	MC/FC	-
	Al	0.8 ... 1.2 mm
Wire feed speed		0.5 ... 25 m/min
Maximum wire spool weight		5 kg
Maximum wire spool diameter		200 mm
Maximum shielding gas pressure		0.5 MPa
Control panel	Built-in	Color LCD display
Degree of protection		IP23S
External dimensions	$L \times W \times H$	520 x 250 x 379 mm
Package external dimensions	$L \times W \times H$	722 x 269 x 424 mm
Weight		16.2 kg
Voltage supply for auxiliary devices		-
Voltage supply for cooling unit		220 ... 230 V, 24 V
Recommended minimum generator power	@ 230 V S_{gen}	15 kVA
Wired communication type		-
Wireless communication type		-
Lithium-ion battery		SAMSUNG SDI: INR18650-26J; 3,6 V; 2600 mAh LG CHEM: ICR18650HE4; 3,6 V; 2500 mAh
Standards		IEC 60974-1, -10

Master M 323 GM

Master M 323			323 GM
Feature			Value
Mains connection voltage	3~50/60 Hz		220...230 V ±10 % 380...460 V ±10 %
Mains connection cable	HO7RN-F		2.5 mm ²
Input power at rated maximum current			13 kVA
Maximum supply current	@ 220...230 V	I_{1max}	28 A
	@ 380...460 V	I_{1max}	19 ...16 A
Effective supply current	@ 220...230 V	I_{1eff}	17 A
	@ 380...460 V	I_{1eff}	12...8 A
Idle state power consumption	MIG, TIG @ 400 V or 230 V	P_{idle}	16 W
	MMA (power save) @ 400 V or 230 V		16 W
No-load state power consumption	MMA (fans ON) @ 400 V or 230 V		120 W
No-load voltage	@ 220...230 V	U_0	54...58 V
	@ 380...460 V	U_0	84...100 V
Open circuit voltage	@ 220...230 V	U_{av}	43...45 V
	@ 380...460 V	U_{av}	64...74 V
VRD voltage	MMA		24 V
Fuse	Slow		16/32 A
Output at +40 °C	40 % @ 220...230 V		280 A (MMA 255 A)
	40 % @ 380...460 V		320 A (MMA 300 A)
	60 % @ 220...230 V		230 A (MMA 205 A)
	60 % @ 380...460 V		250 A (MMA 220 A)
	100 % @ 220...230 V		175 A (MMA 150 A)
	100 % @ 380...460 V		200 A (MMA 175 A)
Welding current and voltage range	MIG @ 220...230 V		15 A / 10 V ... 280 A / 32 V
	MIG @ 380...460 V		15 A / 10 V ... 320 A / 34 V
	TIG @ 220...230 V		15 A / 1 V ... 280 A / 33 V
	TIG @ 380...460 V		15 A / 1 V ... 320 A / 34 V
	MMA @ 220...230 V		15 A / 10 V ... 255 A / 33 V
	MMA @380...460 V		15 A / 10 V ... 300 A / 34 V
Voltage adjustment range	MIG		10 ... 40 V
Power factor at rated maximum current	@ 400 V	λ	0.91
Efficiency at rated maximum current	@ 400 V	η	87 %

Operating temperature range		-20...+40 °C
Storage temperature range		-40...+60 °C
EMC class		A
Minimum short-circuit power of supply network	S_{SC}	1.6 MVA
Gun connection		Euro
Wire feed mechanism		2-roll, single-motor
Diameter of feed rolls		32 mm
Filler wires	Fe	0.8 ... 1.2 mm
	Ss	0.8 ... 1.2 mm
	MC/FC	1.2 mm
	Al	0.8 ... 1.2 mm
Wire feed speed		0.7 ... 25 m/min
Maximum wire spool weight		5 kg
Maximum wire spool diameter		200 mm
Maximum shielding gas pressure		0.5 MPa
Control panel	Built-in	Color LCD display
Degree of protection		IP23S
External dimensions	$L \times W \times H$	520 x 250 x 379 mm
Package external dimensions	$L \times W \times H$	722 x 269 x 424 mm
Weight		18.5 kg
Voltage supply for auxiliary devices		-
Voltage supply for cooling unit		220 ... 230 V, 24 V 380 ... 460 V, 24 V
Recommended minimum generator power	@ 400 V S_{gen}	20 kVA
Wired communication type		-
Wireless communication type		-
Lithium-ion battery		SAMSUNG SDI: INR18650-26J; 3,6 V; 2600 mAh LG CHEM: ICR18650HE4; 3,6 V; 2500 mAh
Standards		IEC 60974-1, -10

5.2 Master Cooler 05M cooling unit

Master Cooler 05M		
Feature		Value
Supply voltage	U_1	220...230 V +/- 10 % 380...460 V +/- 10 %
Maximum supply current	@ 220...230 V	I_{1max}
	@ 380...460 V	I_{1max}
Cooling power	@ 1.0 l/min	0.5 kW
Recommended coolant		MGP 4456 (Kemppi mixture)
Maximum coolant pressure		0.4 MPa
Tank volume		2.3 l
Operating temperature range	With recommended coolant	-20...+40 °C
Storage temperature range		-40...+60 °C
EMC class		A
Degree of protection	When mounted	IP23S
Package external dimensions	$L \times W \times H$	555 x 253 x 215 mm
Weight	Without accessories	11.5 kg
Standards		IEC 60974-2, -10

5.3 Wire feeder consumables

This section lists the feed rolls and wire guide tubes available both separately and in consumable kits. The consumable kits contain recommended feed roll and wire guide tube combinations for selected filler wire materials and diameters. The wire feeder consumables can be ordered in [Configurator.kemppi.com](https://configurator.kemppi.com).

In the tables, *standard* refers to plastic feed rolls and *heavy-duty* refers to metal feed rolls. The materials mentioned first refer to primary suitability and the materials mentioned inside brackets refer to secondary suitability.

Wire feeder consumable kits

The table below lists the recommended consumable kits for selected filler wire materials and diameters.

Wire feeder consumable kits				
Filler wire material	Feed roll profile*	Filler wire diameter (mm)	Consumable kit code, standard	Consumable kit code, heavy-duty
Fe (MC/FC)	V-groove	0.8–0.9	F000527	F000530
		1.0	F000528	F000531
		1.2	F000529	F000532
Ss (Fe, Cu)	V-groove	0.8–0.9	F000533	-
		1.0	F000534	-
		1.2	F000535	-
MC/FC (Master M 323 only)	V-groove, knurled	1.0	F000536	F000539
		1.2	F000537	F000540
		1.4–1.6	F000538	F000541
Al	U-groove	1.0	F000542	-
		1.2	F000543	-

Wire guide tubes

The table below lists the wire guide tubes available.

Wire guide tubes			
Filler wire material	Filler wire diameter (mm)	Inlet guide tube	Outlet guide tube
Al, Ss (Fe, MC/FC)	0.8–0.9	W007294	W011440
	1.0	W007295	W011441
	1.2	W007296	W011442
Fe, MC/FC	0.8–0.9	W007536	W016614
	1.0	W007537	W016615
	1.2	W007538	W016616

Feed rolls




The table below lists the standard feed rolls available.

Feed rolls, standard				
Filler wire material	Feed roll profile*	Filler wire diameter (mm)	Drive roll code	Pressure roll code
Fe, Ss, Cu (Al, MC/FC)	V-groove	0.8–0.9	W001047	W001048
		1.0	W000675	W000676
		1.2	W000960	W000961
MC/FC (Fe)	V-groove, knurled	1.0	W001057	W001058
		1.2	W001059	W001060
		1.4–1.6	W001061	W001062
Al (MC/FC, Ss, Fe, Cu)	U-groove	1.0	W001067	W001068
		1.2	W001069	W001070

The table below lists the heavy-duty feed rolls available.

Feed rolls, heavy-duty				
Filler wire material	Feed roll profile*	Filler wire diameter (mm)	Drive roll code	Pressure roll code
Fe, Ss (MC/FC)	V-groove	0.8–0.9	W006074	W006075
		1.0	W006076	W006077
		1.2	W004754	W004753
MC/FC (Fe)	V-groove, knurled	1.0	W006080	W006081
		1.2	W006082	W006083
		1.4–1.6	W006084	W006085
(MC/FC, Ss, Fe)	U-groove	1.0	W006088	W006089
		1.2	W006090	W006091

* Feed roll profiles and corresponding symbols:

Feed roll profile	Symbol
V-groove	
V-groove, knurled	
U-groove	

5.4 Master M ordering info

For Master M ordering information and optional accessories, refer to [Kemppi.com](https://www.kemppi.com).

5.5 Welding program work packs

Welding program work packs include a set of standard welding programs to allow welding with e.g. automatic 1-MIG and pulse processes. For more information, contact your local Kemppi dealer or go to Kemppi.com.

1-MIG work pack:

Welding program	Process	Wire material	Wire diameter	Shielding gas	Description
A01	1-MIG	AlMg5	1.0	Ar	Standard
A02	1-MIG	AlMg5	1.2	Ar	Standard
A11	1-MIG	AlSi5	1.0	Ar	Standard
A12	1-MIG	AlSi5	1.2	Ar	Standard
C01	1-MIG	CuSi3	0.8	Ar	Standard: Brazing
C03	1-MIG	CuSi3	1.0	Ar	Standard: Brazing
C11	1-MIG	CuAl8	0.8	Ar	Standard: Brazing
C13	1-MIG	CuAl8	1.0	Ar	Standard: Brazing
F01	1-MIG	Fe	0.8	Ar+18%CO ₂	Standard
F02	1-MIG	Fe	0.9	Ar+18%CO ₂	Standard
F03	1-MIG	Fe	1.0	Ar+18%CO ₂	Standard
F04 (Master M 323 only)	1-MIG	Fe	1.2	Ar+18%CO ₂	Standard
F11	1-MIG	Fe	0.8	Ar+8%CO ₂	Standard
F12	1-MIG	Fe	0.9	Ar+8%CO ₂	Standard
F13	1-MIG	Fe	1.0	Ar+8%CO ₂	Standard
F14 (Master M 323 only)	1-MIG	Fe	1.2	Ar+8%CO ₂	Standard
F21	1-MIG	Fe	0.8	CO ₂	Standard
F22	1-MIG	Fe	0.9	CO ₂	Standard
F23	1-MIG	Fe	1	CO ₂	Standard
F24 (Master M 323 only)	1-MIG	Fe	1.2	CO ₂	Standard
M04 (Master M 323 only)	1-MIG	Fe Metal	1.2	Ar+18%CO ₂	Standard
R04 (Master M 323 only)	1-MIG	Fe Rutil	1.2	Ar+18%CO ₂	Standard
S01	1-MIG	Ss	0.8	Ar+2%CO ₂	Standard
S02	1-MIG	Ss	0.9	Ar+2%CO ₂	Standard
S03	1-MIG	Ss	1.0	Ar+2%CO ₂	Standard
S04 (Master M 323 only)	1-MIG	Ss	1.2	Ar+2%CO ₂	Standard
S84 (Master M 323 only)	1-MIG	FC-CrNiMo	1.2	Ar+18%CO ₂	Standard

Pulse work pack (Master M 205, 220...240 V only):

The Pulse work pack includes also all 1-MIG work pack welding programs.

Welding program	Process	Wire material	Wire diameter	Shielding gas	Description
A01	Pulse	AlMg5	1.0	Ar	Standard
A02	Pulse	AlMg5	1.2	Ar	Standard
A11	Pulse	AlSi5	1.0	Ar	Standard
A12	Pulse	AlSi5	1.2	Ar	Standard
C01	Pulse	CuSi3	0.8	Ar	Standard: Brazing
C03	Pulse	CuSi3	1.0	Ar	Standard: Brazing
C11	Pulse	CuAl8	0.8	Ar	Standard: Brazing
C13	Pulse	CuAl8	1.0	Ar	Standard: Brazing
F01	Pulse	Fe	0.8	Ar+18%CO2	Standard
F02	Pulse	Fe	0.9	Ar+18%CO2	Standard
F03	Pulse	Fe	1.0	Ar+18%CO2	Standard
F11	Pulse	Fe	0.8	Ar+8%CO2	Standard
F12	Pulse	Fe	0.9	Ar+8%CO2	Standard
F13	Pulse	Fe	1.0	Ar+8%CO2	Standard
S01	Pulse	Ss	0.8	Ar+2%CO2	Standard
S02	Pulse	Ss	0.9	Ar+2%CO2	Standard
S03	Pulse	Ss	1.0	Ar+2%CO2	Standard