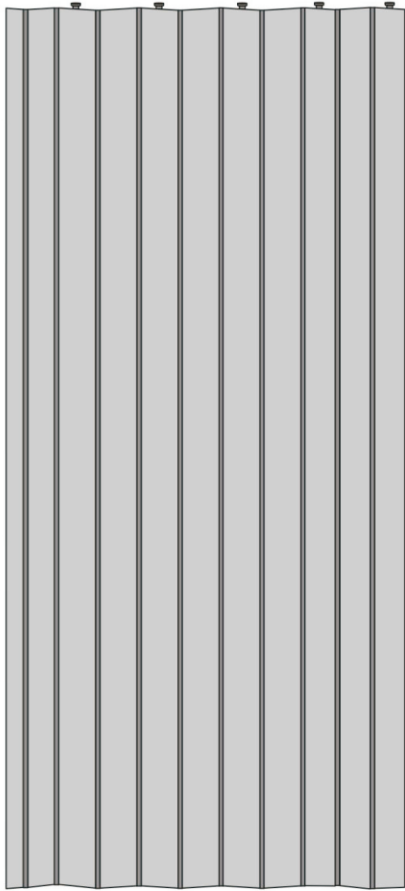


Components

Ⓐ 1 x Folding Door



Ⓒ 2 x Handle



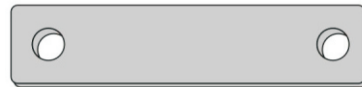
Ⓓ 1 x Top Track



Ⓔ 2 x Pin



Ⓕ 2 x Metal Plate



Ⓖ 5 x Fastener



Ⓑ 1 x Side Track



Fittings

Ⓐ 4 x Screw



(Dia 3x25mm)

Ⓑ 17 x Screw



(Dia 3x22mm)

5-07

White Oak Effect Double Skin Door

Simple Assembly Instructions - Please Keep For Future Reference



IMPORTANT

1. Read these instructions carefully and familiarise yourself with the procedure before assembling the unit.
2. Check that you have all the component parts following the list on the back cover and familiarise yourself with each part before proceeding.
3. Take all the fittings out of the plastic bag and separate them into their groups.
4. Ensure you have enough space to lay out all the parts before assembly.
5. To avoid scratching it is recommended that you assemble the unit on a soft level surface.

Assembly Instructions

Stage 1 – Measure the Folding Door

NOTE: It would be useful to ask someone to help you at this stage.

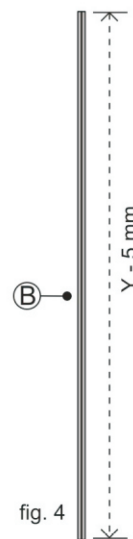
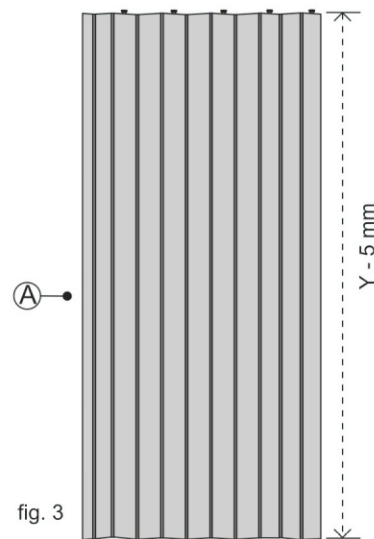
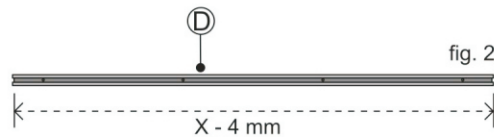
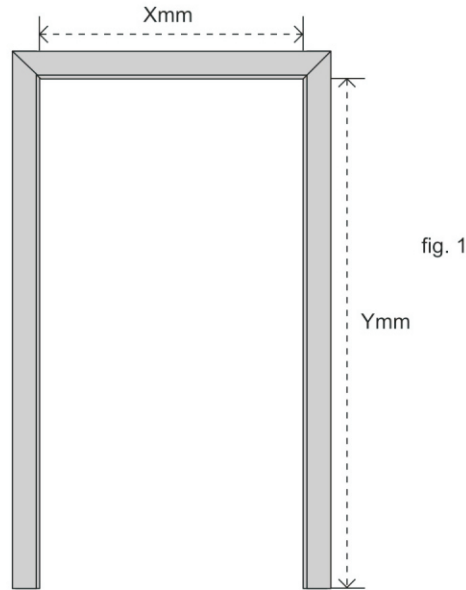
1. Measure the Width and Length of your doorway.
See fig. 1.

2. Use a saw to cut the Top Track (D) to 4mm less than the width of the doorway (X - 4mm).
See fig. 2.

NOTE: Ensure you cut the track to the correct length. After you have marked it out, hold it up against the door frame, to double check the length before finally cutting it.

3. Use a saw to cut the Folding Door (A) and Side Track (B) to 5mm less than the length of the doorway (Y - 5mm).
See fig. 3 and 4.

NOTE: There are screws in the end of the Folding Door. Remove the Screws before you cut the Door. Refit the Screws after cutting the Door.



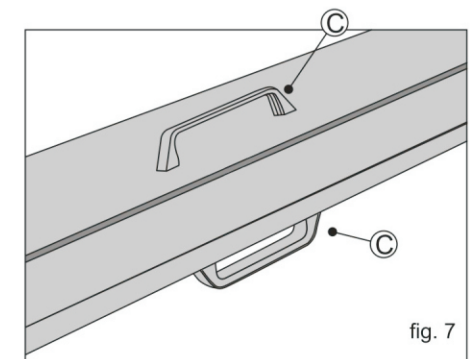
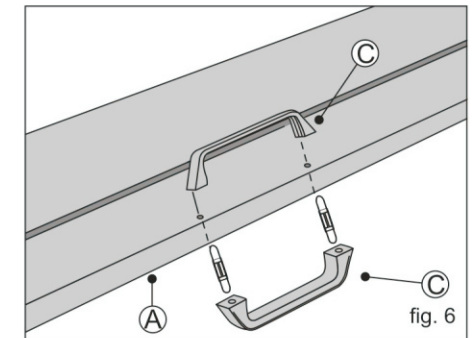
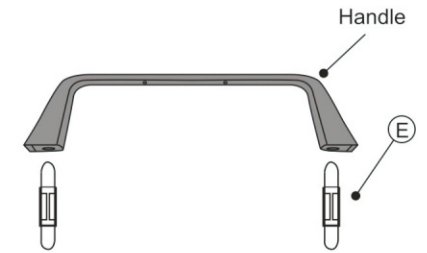
Assembly Instructions

Stage 2 – Fitting the Handle

NOTE: It would be useful to ask someone to help you at this stage.

1. Use Pins (E) to fix the Handles (C) onto the Folding Door (A).

2. Fix the plastic handles with the pins at last.



Assembly Instructions

Stage 3 - Fitting the Top Track

NOTE: It would be useful to ask someone to help you at this stage.

1. Position Top Track **D** in the centre of the doorway. Allow a 2 mm gap on either side between the Track and the Door Jambs. See fig. 8.

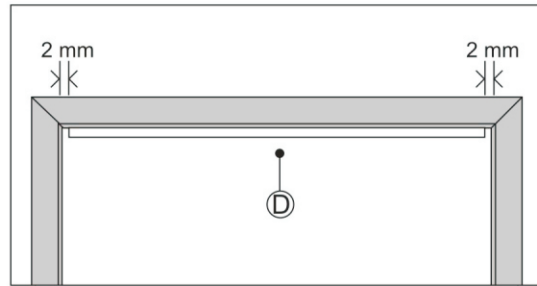


fig. 8

2. Use Screw **B** to fix one end of the Top Track **D**. Then pivot the Top Track outward. See fig. 9.

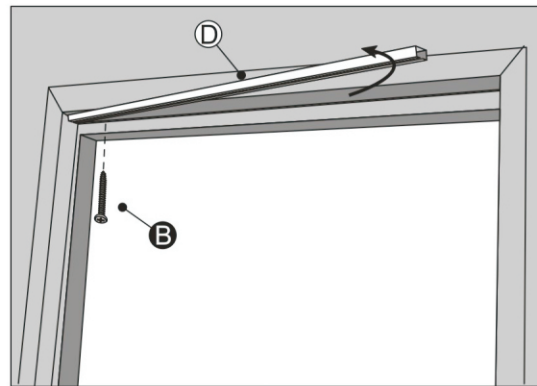


fig. 9

3. Carefully slide the Folding Door **A** into the Top Track **D**. See fig. 10.

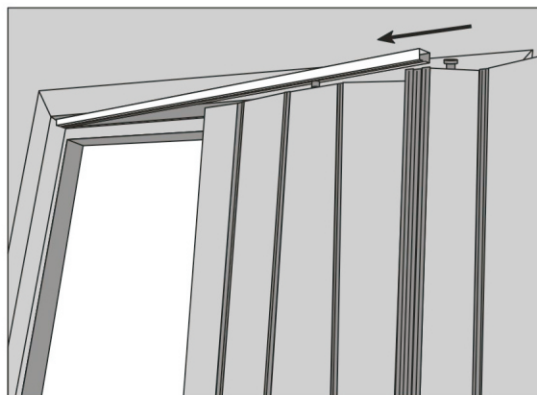


fig. 10

Assembly Instructions

Stage 3 - Fitting the Top Track

4. Swing the Top Track **D** back so it is parallel with the door frame. Use Screws **B** to fix the Top Track. See fig. 11.

5. Fix the Fixing Clips **G** with Screws **B** on the side of the doorcase. See fig. 12.

NOTE: Ensure the alignment of the clips on the doorcase are sitting in a straight line. Draw the line and mark the anchor points for the clips before fixing.

6. Press and snap the anchor track on the Folding Door **A** onto the anchored Fixing Clips **G**. See fig. 13.

Repeat above steps to fit Fixing Clips **G** with Folding Door **A**.

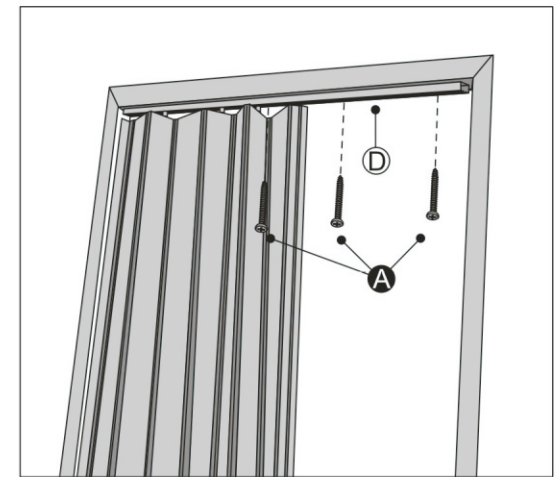


fig. 11

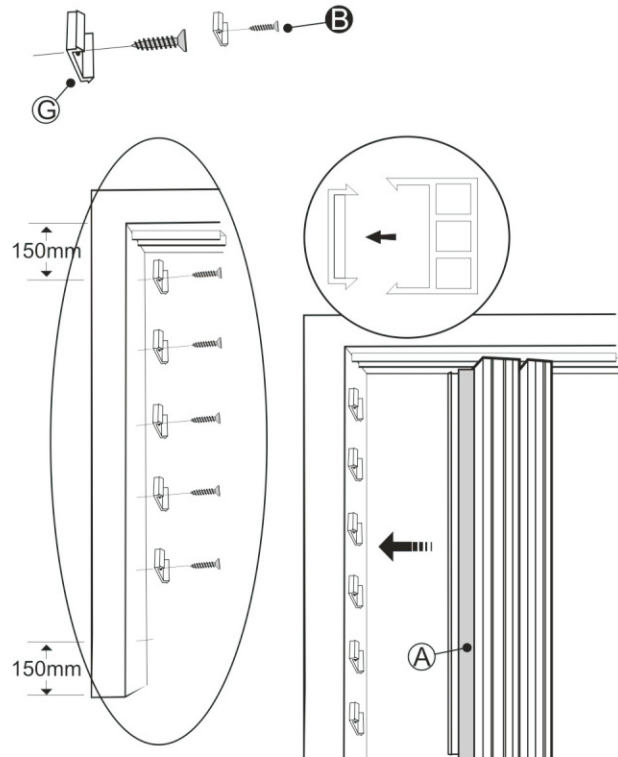


fig. 12

fig. 13

Assembly Instructions

Stage 4 - Fitting the Metal Plate

NOTE: It would be useful to ask someone to help you at this stage.

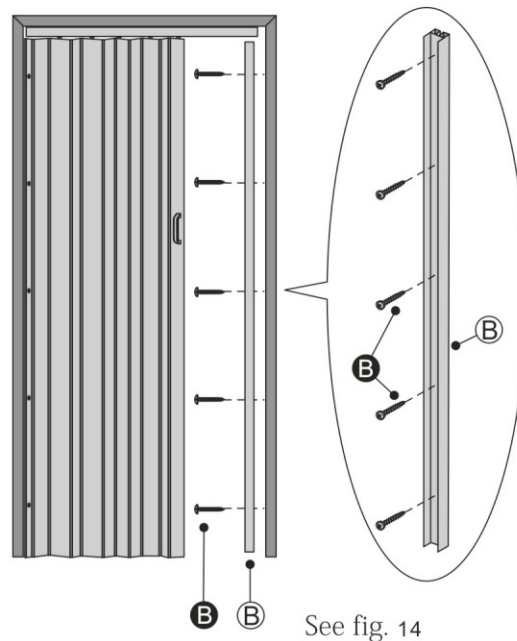
1. Close the Folding Door and check the position to fix the Side Track (B).
See fig. 14

2. Use Screws (B) to fix the Side Track (B).
See fig. 14

3. Close the Folding Door and check the position to fix the Metal Plates (F).
See fig. 15

4. Use Screws (A) to fix the Metal Plates (F) into the Side Track (B).
See fig. 15

NOTE: Before use always make sure the unit is secure.



See fig. 14

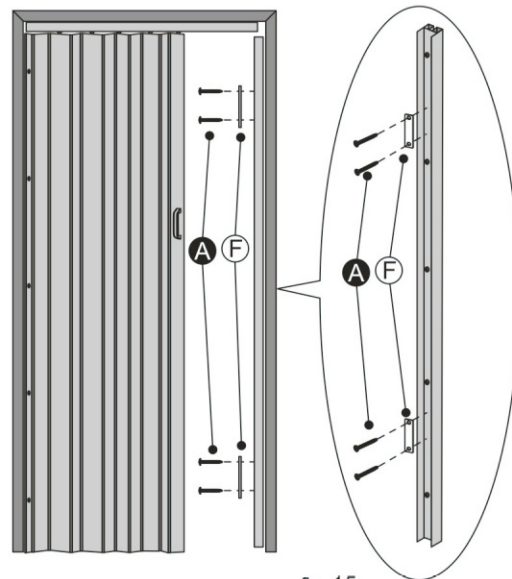


fig. 15

Assembly Instructions

Stage 5 - For Wider Openings

NOTE: It would be useful to ask someone to help you at this stage.

1. Two doors may be installed to make a double door. Position them so that they both open outwards. If the tracks are too long, cut equal amounts off each track so that the join meets in the centre of the opening. Attach handles to both doors. Attach one Metal Plate to either of the doors.
See fig. 16

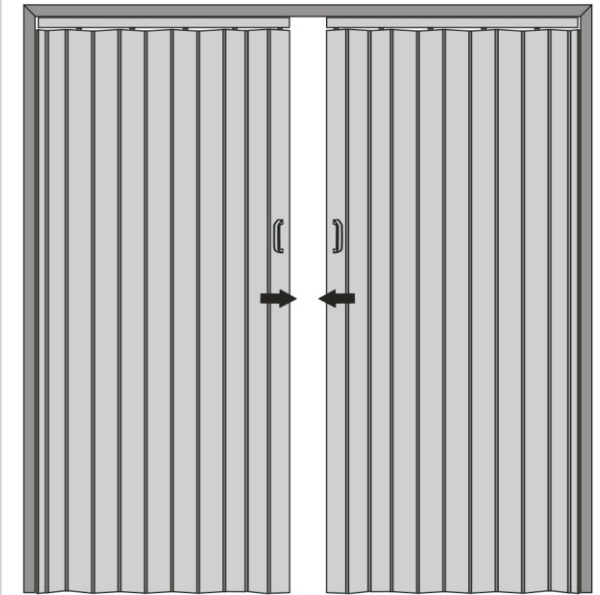


fig. 16

Care and Maintenance

Safety

To avoid any risk of suffocation to animals or children dispose of the plastic bags immediately.

Cleaning

As with all surfaces clean with a damp cloth and mild detergent, do not use bleach or abrasive products.

Fitting

From time to time please ensure there are no loose screws on the product.