

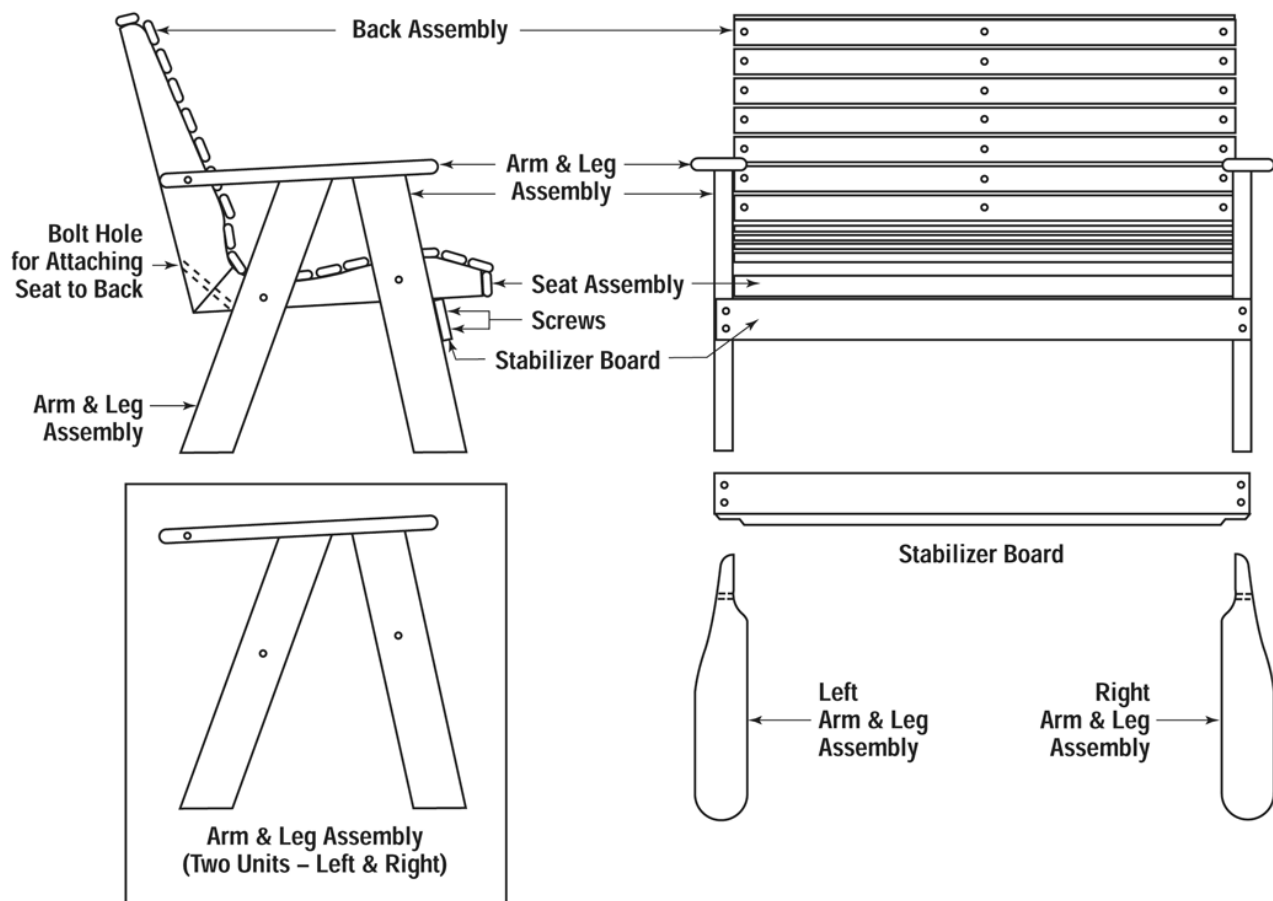
Assembling the Garden Bench

The Garden Bench in the diagram is a 4 ft. traditional slat back style, but the assembly is the same for all the different lengths and styles. (Including garden chairs.)

Tools needed for assembly:

- Square head screwdriver or drill.
- Pliers or 1/4" socket set.
- Hammer for tapping bolts and screws.

- Step 1** Lay out all the parts and identify them by comparing them with the drawings.
- Step 2** Bolt the seat and back assemblies together with the 5-1/2" bolts. Using small washers on each end of the bolts. Put (1) small washer on bolt before sliding through back and seat then use other small washer on the end, then add the 1/4" nut.
- Step 3** Fasten the Arm & Leg Assemblies to the seat with the 3" bolts with slotted heads. Put a large washer on each end of the bolts. Put (1) large washer on bolt then slide through leg from outside ... then through seat. Add the other large washer then 1/4" nut and hand tighten. Fasten the arms to the back with the two 3" carriage (smooth head) bolts. Use a small washer under the 1/4" nut only.
- Step 4** Attach the stabilizer board to the front legs, and up against the bottom of the seat, with four short screws, turning it so the notches fit over the legs. Enjoy your Garden Bench.
- Step 5** *(For the Sweetheart style only.)* Attach the Sweetheart board with the Sweetheart cutouts, to the top of the back, with the 1-5/8" screws provided. Leave the same space between it and the top slat, as there is between the rest of the slats. (The Cedar Store leaves this board off to avoid damage from shipping.)
- Step 6** Go back over your garden bench or chair and tighten with 1/4" socket, or pliers.
- *It may periodically be necessary to tighten screws and 1/4" nuts.*



Part List for Garden Bench

- | | | |
|--------------------------|-------------------|--|
| 1 – Back Assembly | 2 – Small Washers | 6(2ft.), 7(4ft.), to 8(5 & 6ft.) – Small Washers |
| 1 – Seat Assembly | 4 – Hexhead Bolts | 2(2ft.), 3(4ft.), or 4(5 & 6ft.) – 5 1/2" Bolts |
| 2 – Arm & Leg Assemblies | 8 – Large Washers | 12(2ft.), 13(4ft.) to 14(5 & 6ft.) – 1/4" Nuts |
| 1 – Stabilizer Board | 4 – Small Screws | |

Checking (cracks in the wood) may occur with these products. This is a normal and natural occurrence in wood, and will not affect the structural integrity of the wood and this product.