

2' Folding Adirondack Chair

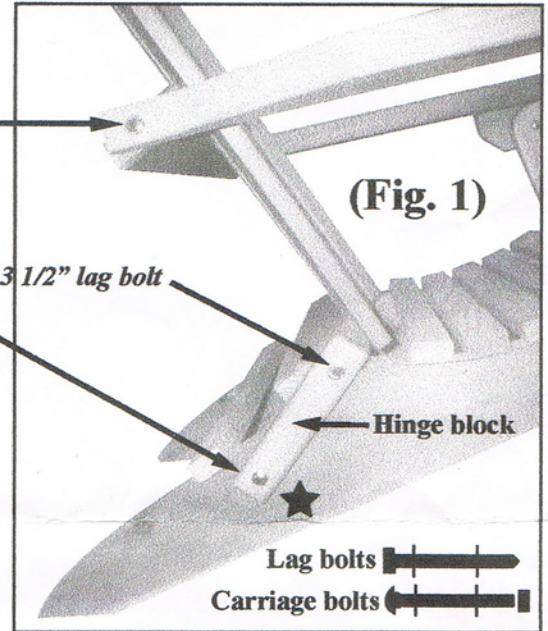
Assembly Instructions



(1) 1/4" x 3 1/2" lag bolt

(2) 1/4" x 3 1/2" lag bolt

(3) 1/4" x 3 1/4" carriage bolt



I. Chair rear legs, seat, arms and fan back assembly

Hardware needed:

- (4) 1/4" x 3 1/2" lag bolts
- (20) 1/4" flat washers
- (4) 1 3/4" screws
- (6) 1/4" locking nuts
- (6) 1/4" x 3 1/4" carriage bolts

Tools recommended:

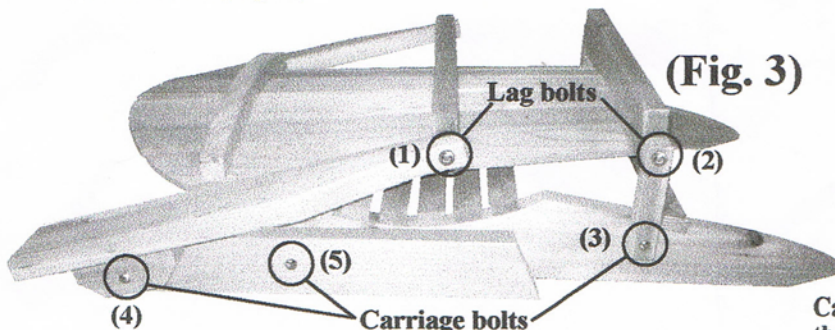
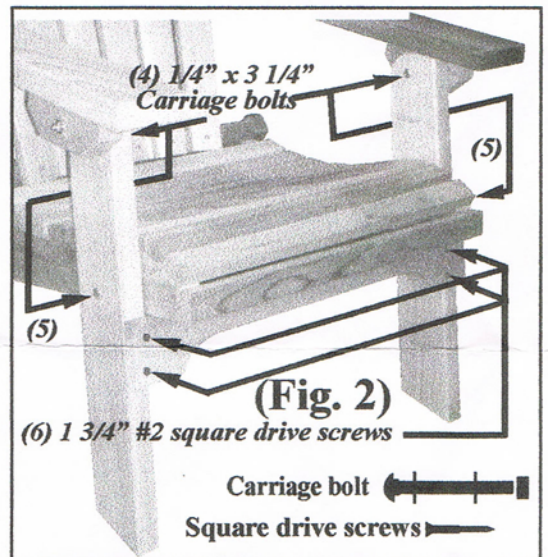
Small hammer, #2 square driver bit and a 7/16" open end wrench.

I. Rear legs, hinge blocks and rear arm assembly

- Place one 1/4" x 3 1/2" lag bolt and one washer through hole at rear of arm with curve on out side. Now add a second washer between arm and center brace end of fan back. Attach with 7/16" wrench. Note: Do not over tighten lag bolts.
- Place one 1/4" x 3 1/2" lag bolt and washer through top hole of wooden block. Then add second washer between block and bottom brace of fan back. Attach with 7/16" wrench. As shown in (Fig. 1.) Note: Do not over tighten lag bolts.
- Place one 1/4" x 3 1/4" carriage bolt, through wooden block at bottom hole, add washer between wooden block and hole at back of rear leg. Then add second washer & locking nut at each side of rear chair legs. As shown in (Fig. 1.)

II. Front legs, arms and seat brace assembly

- Place one 1/4" x 3 1/4" carriage bolt through the inside top hole of front legs. Then add a washer. Push through the hole of the block under the arm rest. Then add second washer with a 1/4" locking nut, tighten with a 7/16" wrench. As shown in (Fig. 2 & Fig. 3).
- Place one 1/4" x 3 1/4" carriage bolt through outside center hole of each front leg. Then add washer, tap through the hole at front outside of seat. Then add second washer with a 1/4" locking nuts, tighten with a 7/16" wrench. As shown in (Fig. 2 & Fig. 3).
- With chair in open position, Place front chair support under bottom of seat and against the front legs, attach with four 1 3/4" screws As shown in (Fig. 2.)



Screw placement not shown in this figure.

Final note: Do not over tighten bolts for ease of operation for folding chair.

★ Carriage bolt through block & chair leg As shown in (Fig. 1.)

