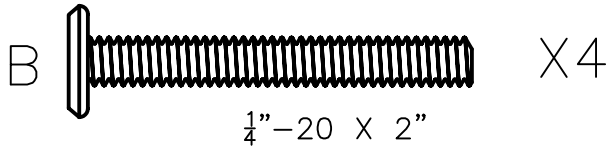
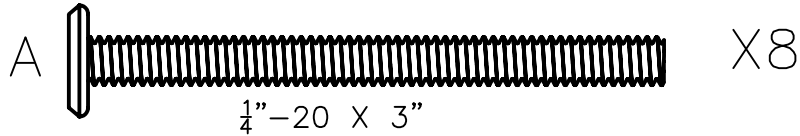


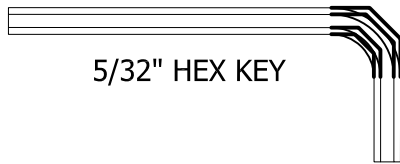
DO NOT fully tighten the bolts until all bolts are started. Once all bolts are inserted, then go back and tighten all the bolts.

ROUND TABLE ASSEMBLY INSTRUCTIONS

HARDWARE



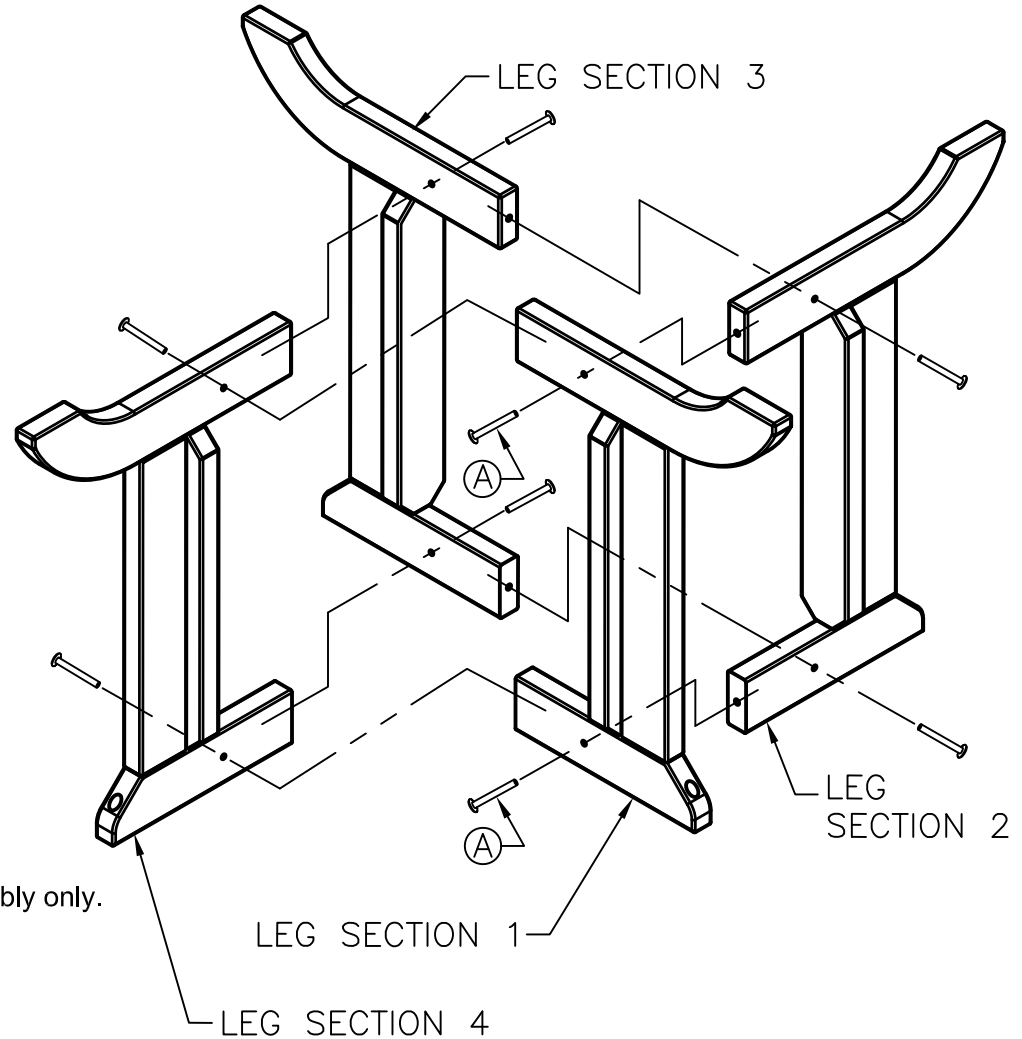
INCLUDED TOOLS



NOTE: All 4 Leg Sections are identical and numbered for order of assembly only.

NOTE: DO NOT tighten bolts until Table is fully assembled.

- 1) Attach leg section 1 to leg section 2 with 2 A bolts.
- 2) Attach leg section 2 to leg section 3 with 2 A bolts.
- 3) Attach leg section 3 to leg section 4 with 2 A bolts.
- 4) Attach leg section 4 to leg section 1 with 2 A bolts.



AD-DRT-36
11-30-16

highwood[®]
NATURE'S CLOSEST RIVAL

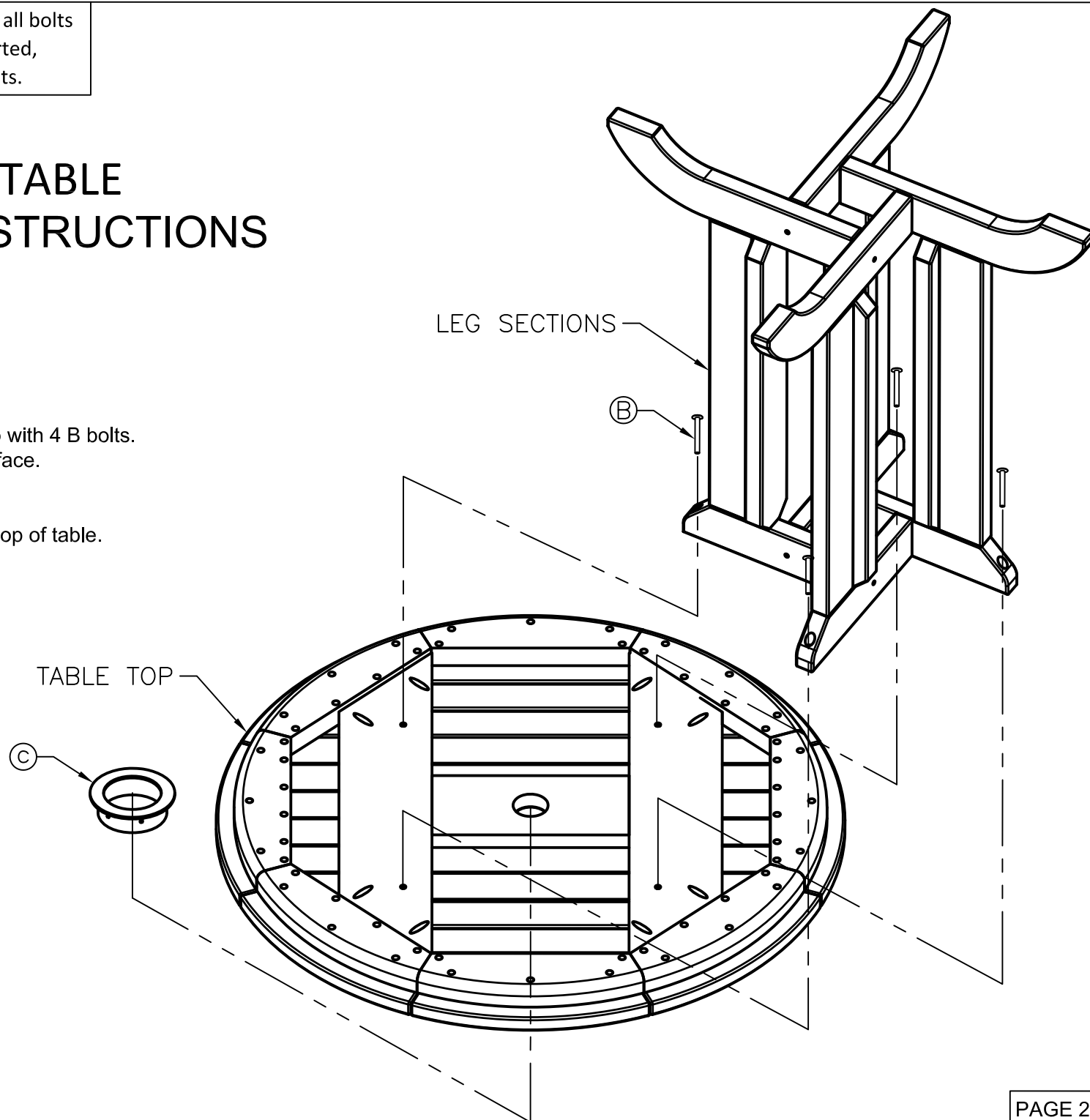
For information on Care and Cleaning your **highwood**[®] product visit www.highwood-usa.com/care.html
Visit our Website and Facebook page to see more **highwood**[®] products!
www.highwood-usa.com www.facebook.com/highwoodUSA

PAGE 1 OF 2

DO NOT fully tighten the bolts until all bolts are started. Once all bolts are inserted, then go back and tighten all the bolts.

ROUND TABLE ASSEMBLY INSTRUCTIONS

- 5) Attach leg sections to table top with 4 B bolts.
- 6) Turn table upright onto flat surface.
- 7) Tighten all 4 B bolts.
- 8) Tighten all 8 A bolts.
- 9) Install umbrella grommet C in top of table.

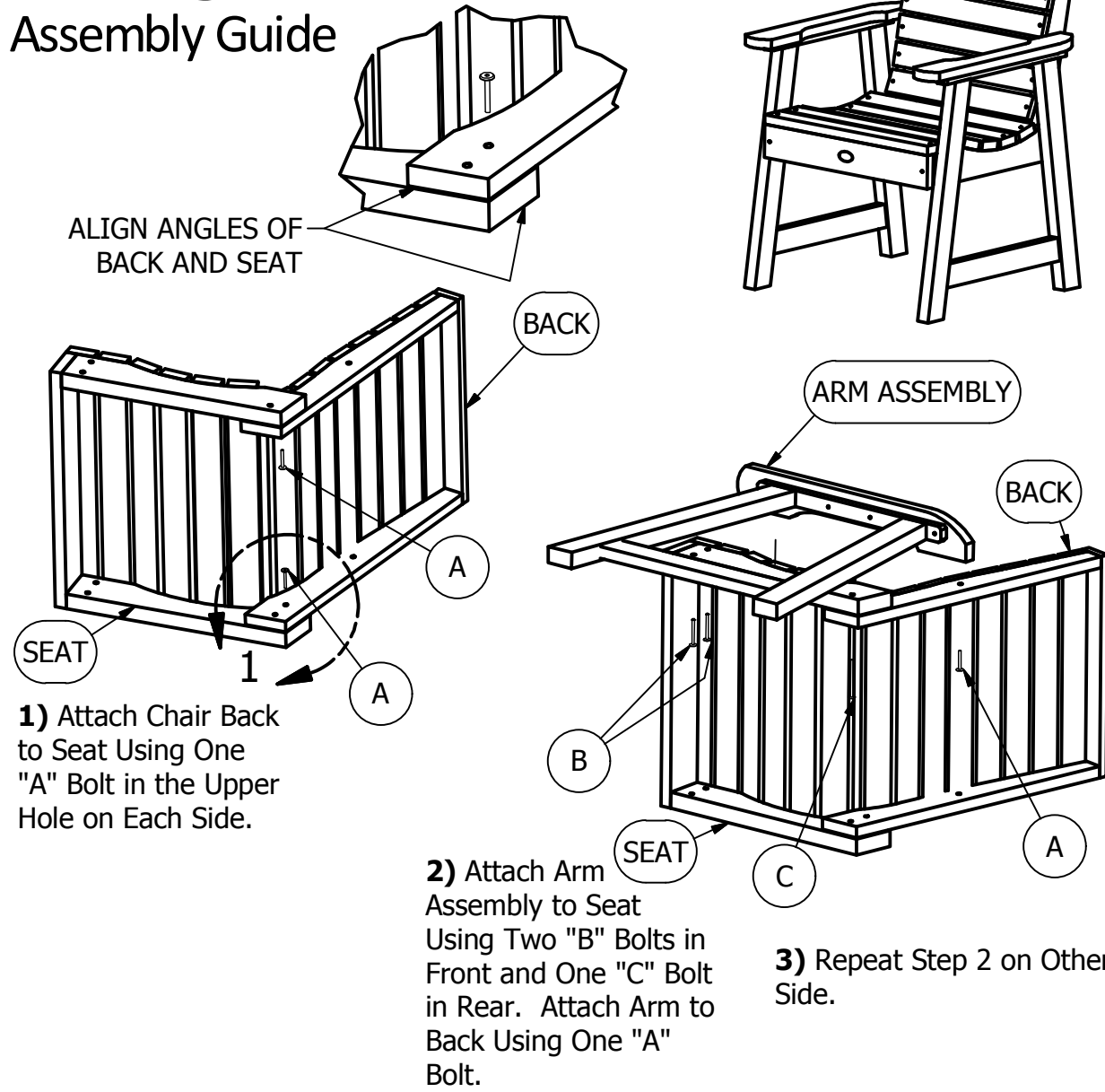


AD-DRT-36
11-30-16


highwood[®]
NATURE'S CLOSEST RIVAL

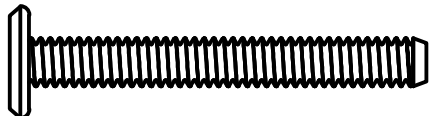
Weatherly Collection Dining Chair with Arms

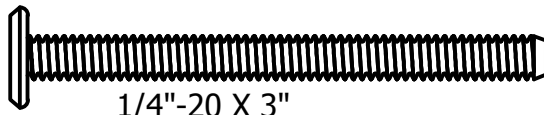
Assembly Guide



HARDWARE

A  x4
1/4"-20 X 1.5"

B  x4
1/4"-20 X 2"

C  x2
1/4"-20 X 3"

IMPORTANT!

DO NOT fully tighten the bolts until all bolts are started. Once all bolts are inserted, go back & tighten all the bolts.

Retain these instructions for future reference

INCLUDED TOOLS

