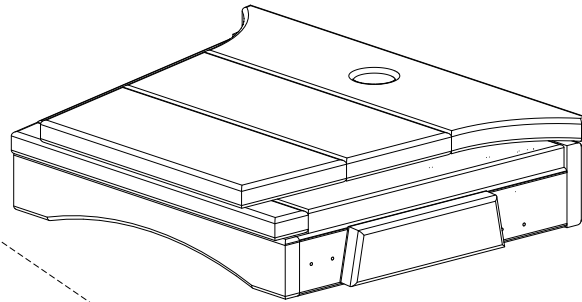




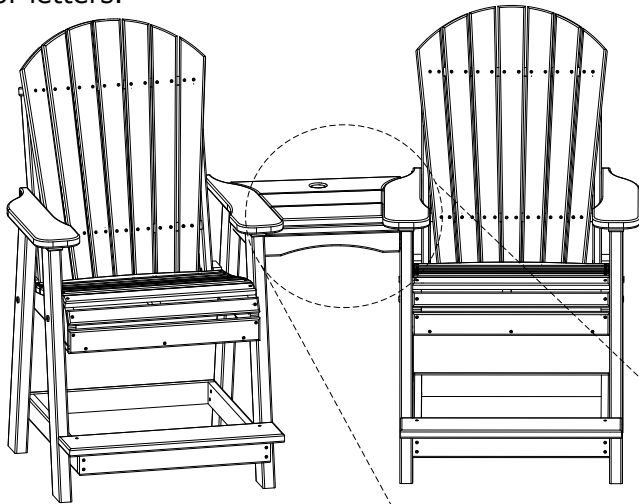
Tools Required
 #2 Square Drive Bit
 (Not Included)

Parts
 1 - Tete A Tete

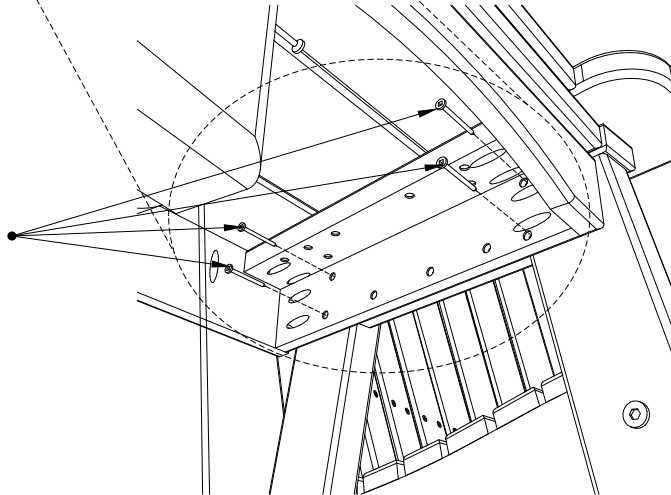
Hardware
 8 - 1 3/4" Screws
 4 - 1 1/2" Screws



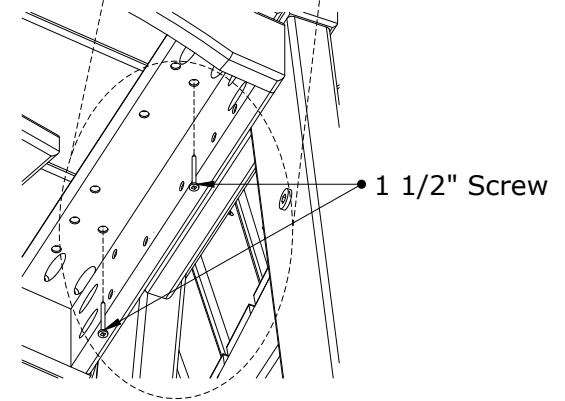
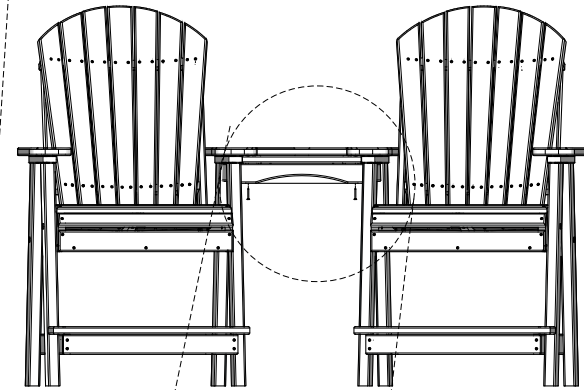
1. Attach Tete A Tete to Balcony Chair Legs using 4 - 1 3/4" Screws per side. Be sure to match all numbers and or letters.



1 3/4" Screw



2. Attach Tete A Tete to Armrest using 2 - 1 1/2" Screws per side in Pre drilled Holes. Be sure to match all numbers and or Letters.



1 1/2" Screw



Tete A Tete Assembly Instructions

11/20/ 2019

R.M.