

Evening Comfort Swings

PLEASE DO NOT RETURN THIS PRODUCT TO THE STORE

SHOULD THERE BE A PROBLEM, WE CAN HELP!

MOST PROBLEMS CAN BE RESOLVED WITHOUT THE BURDEN OF RETURNING THE SWING TO THE RETAILER. GIVE US A CALL AT: 1-888-443-7749 MONDAY-FRIDAY 8:00 AM TO 5:00 PM EST OR Email at hershyway@pcfreesmail.com

The principle ingredients in this new non-arsenic formula contain only copper and azole, an organic fungicide used on vegetables.

ASSEMBLY INSTRUCTIONS

It is important that all instructions be read before beginning.

WARNING

Bolts on furniture should be checked often and tightened as needed.

Never stand or allow children to stand in this swing! Do not allow anyone under or behind swing when in motion.

Weight capacity 400 lbs.

FOR RESIDENTIAL USE ONLY. NOT FOR USE AS A STORE DISPLAY.

Should disposal ever become necessary, do not burn. Dispose of in a landfill.

Note: it is normal for chain to rest against arm after assembly is completed. This does not affect the arm as the chain moves at the top and remains stationary next to the arm.

Important Furniture Care

Unless used under cover, a coating of water repellent should be applied to the surface at least once a year or this swing may be painted with an outdoor paint. It can be painted or stained immediately. This will slow the natural aging process and reduce surface checking. This product is manufactured from re-dried pressure-treated pine.

HERSHY WAY LTD.
Millersburg, OH 44654
call 1-888-443-7749
email: hershyway@pcfreesmail.com

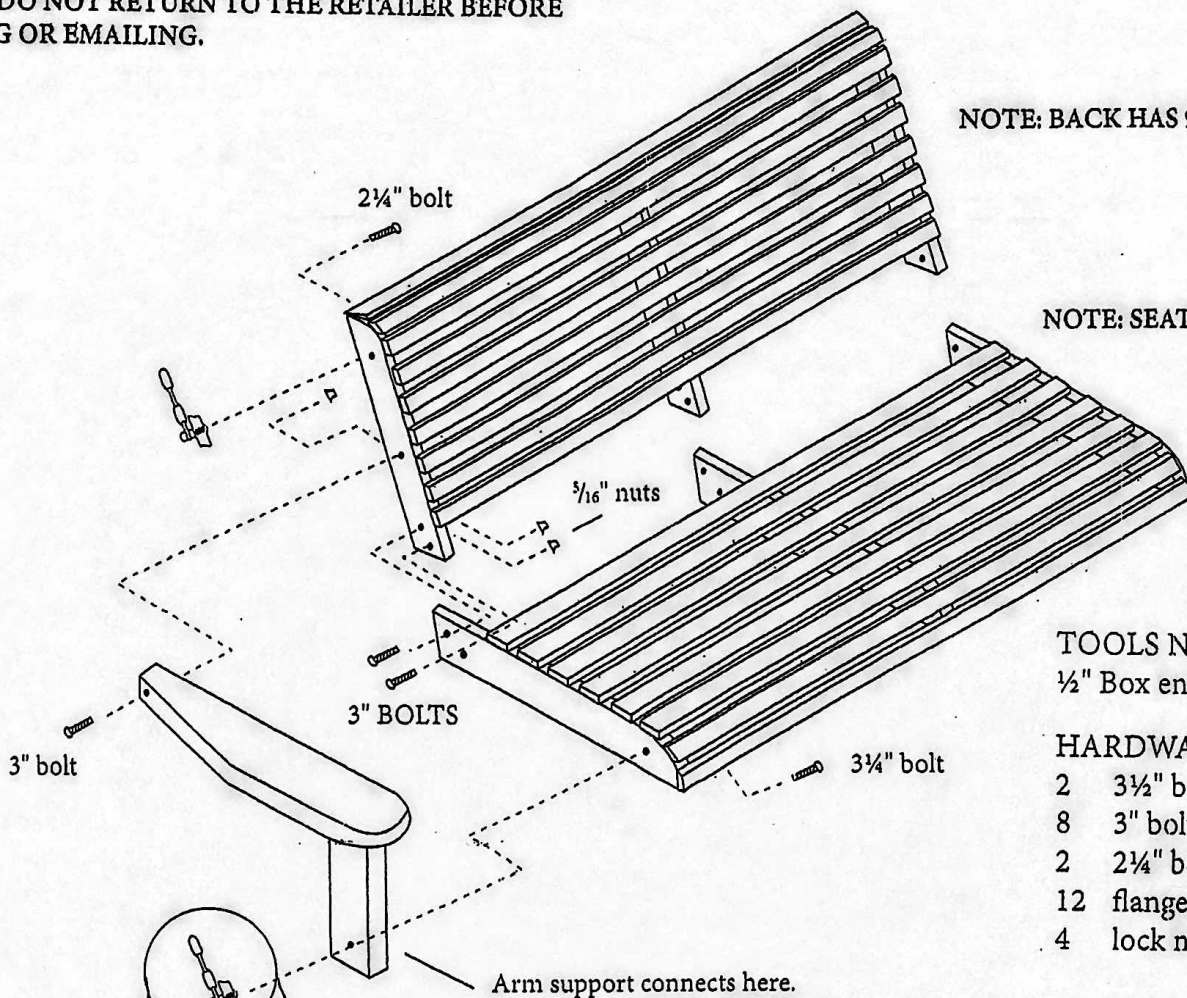
Preserved with a non-arsenic alternative to traditional treated wood.

SHOULD YOU EXPERIENCE ANY PROBLEMS, WITH MISSING PARTS OR ASSEMBLY, PLEASE CALL US AT 1-888-443-7749. MANY PARTS CAN BE SHIPPED WITHIN 24 HOURS. DUE TO THE SIZE OF THIS UNIT, PLEASE DO NOT RETURN TO THE RETAILER BEFORE CALLING OR EMAILING.

Important! Do not tighten any nuts until assembly is complete.

NOTE: BACK HAS 9 SLATS

NOTE: SEAT HAS 8 SLATS



TOOLS NEEDED
1/2" Box end wrench

HARDWARE PACKAGE

- 2 3 1/2" bolt
- 8 3" bolt
- 2 2 1/4" bolt
- 12 flange nut
- 4 lock nut

