



- Parts List
1 - (A) Top
3 - (B) Shelf
2 - (C) Sides

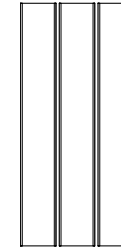
Tools Required

#2 Square Drive Bit
(Not Included)

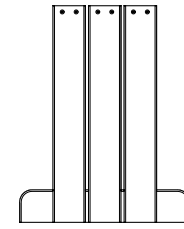
- Hardware
24 - 1-1/2" Stainless Steel Screws



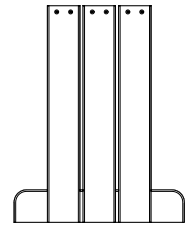
A



B



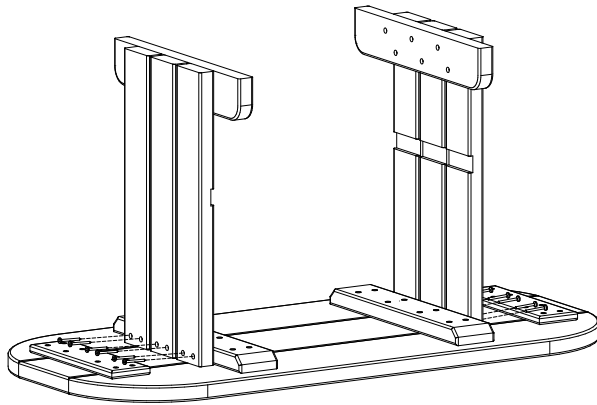
C



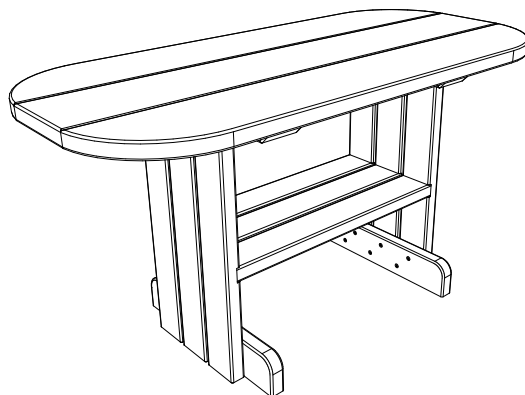
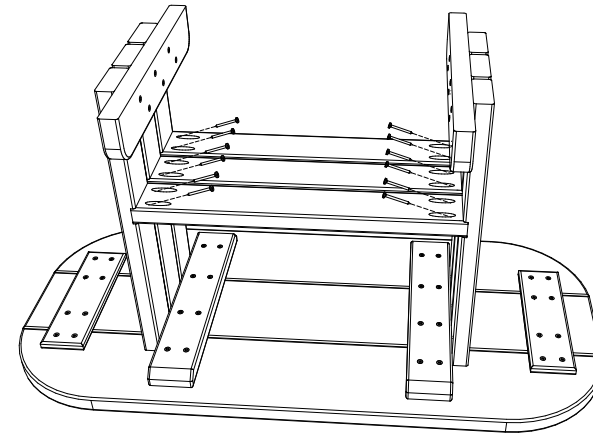
C



1. Lay (A) Top on a Soft Blanket to Prevent Scratches
Attach (C) Sides To (A) Top With 6 1-1/2" Screws
per Side in Pre Drilled Holes.
Align Sides with Mark on Top.



2. Insert (B) Shelf in Notches on Sides Attach with
6 - 1-1/2" Screws Per Side in Pocket Holes.



Poly Coffee Table Assembly Instructions

10/13/2017

R.M.