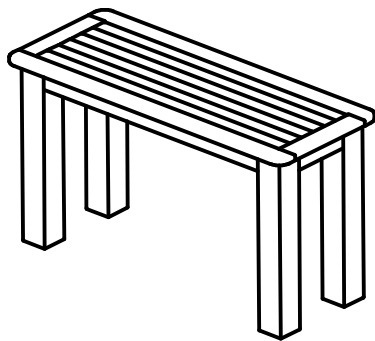
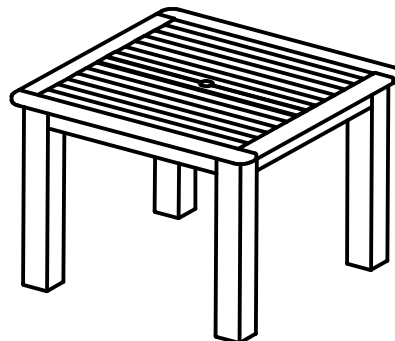


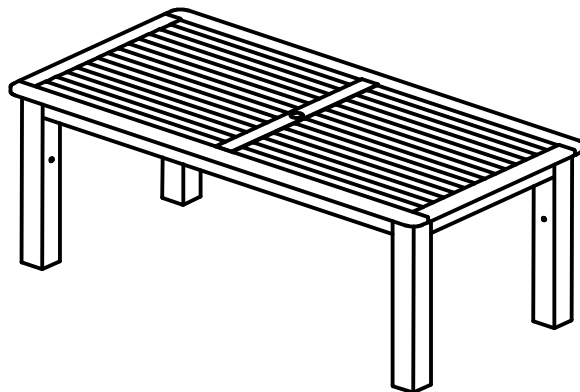
Lehigh, Weatherly, or Adirondack Collection  
**Rectangular, Square, or Sideboard Tables**  
 Assembly Guide



- AD-DTB25/AD-CTB25 - 22x54 Sideboard or Counter Height Sideboard Table



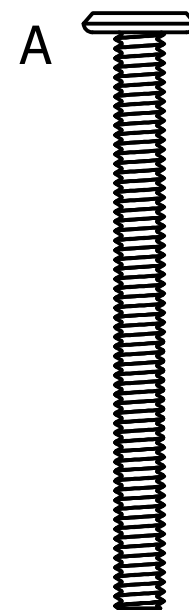
- AD-DTB44/AD-CTB44 - 42x42 Square Dining or Counter Height Dining Table



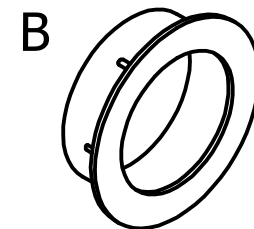
- AD-DTB37/AD-CTB37 - Rectangular 36x72 Dining or Counter Height Dining Table
- AD-DTB47/AD-CTB47 - Rectangular 42x72 Dining or Counter Height Dining Table
- AD-DTB48/AD-CTB48 - Rectangular 42x84 Dining or Counter Height Dining Table

This assembly guide applies to all tables displayed above!

**HARDWARE**



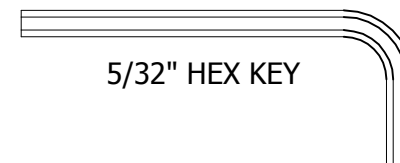
**x8**  
 1/4"-20 x 3" Bolt



**x1**  
 2" Umbrella Grommet

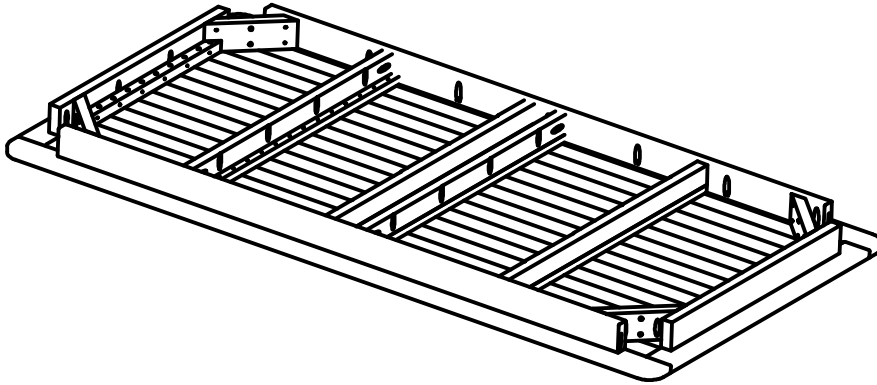
**IMPORTANT!**  
 DO NOT fully tighten the nuts until all nuts are started. Once all nuts are started, go back & tighten all the nuts.  
 Retain these instructions for future reference

**INCLUDED TOOLS**

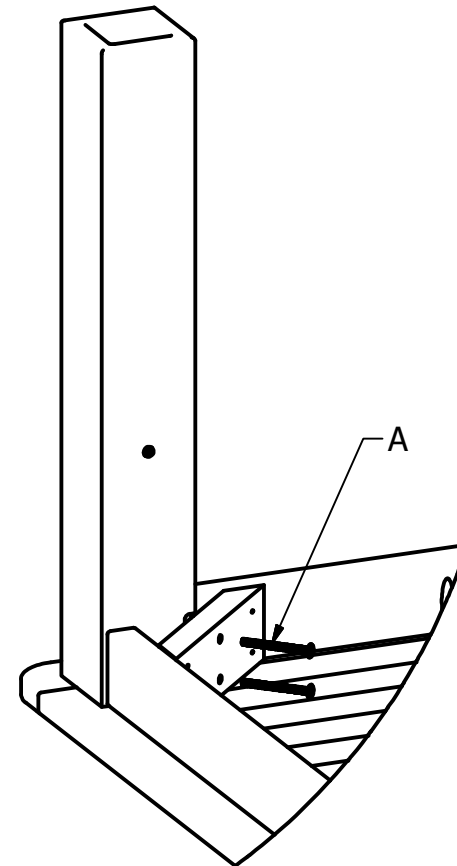
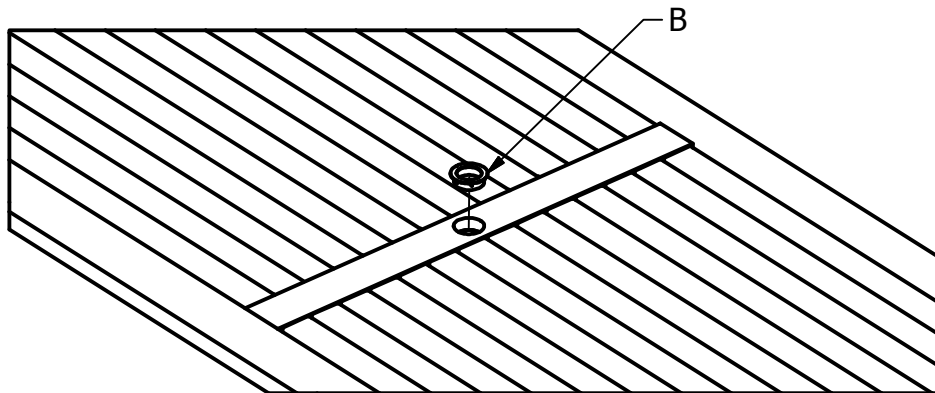


5/32" HEX KEY

# Lehigh, Weatherly, or Adirondack Collection Rectangular, Square, or Sideboard Tables Assembly Guide



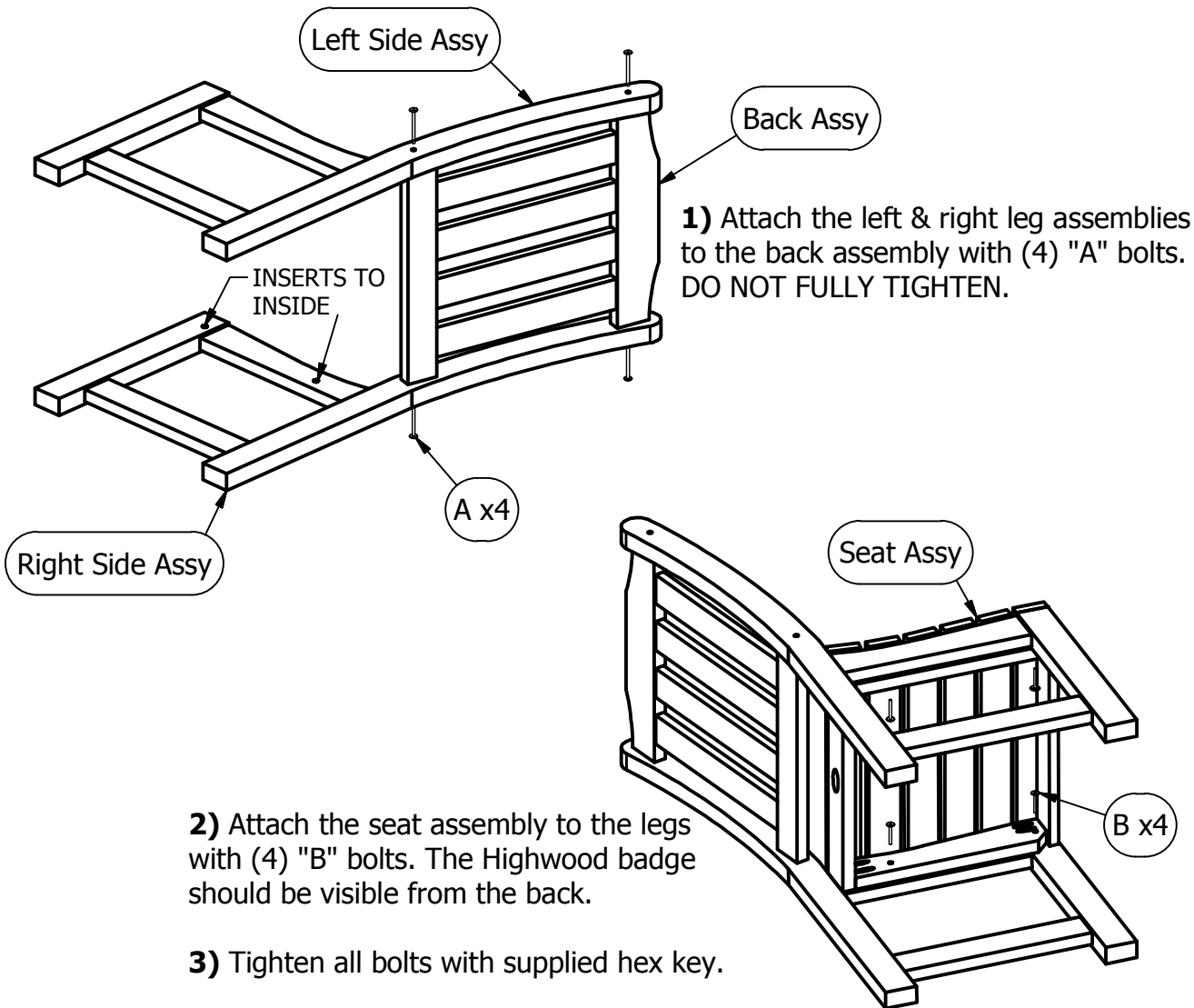
1) Place the table top upside down on a soft surface.



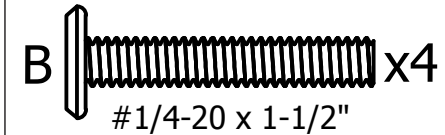
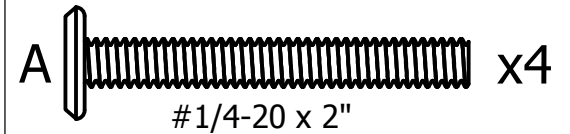
- 2) Attach leg with 2 A bolts.
- 3) Repeat for each leg.
- 4) Securely tighten all bolts, but do not over tighten.
- 5) If installing an umbrella, insert Umbrella Grommet B into center hole.

# Lehigh Collection Dining Chair

## Assembly Guide



### HARDWARE

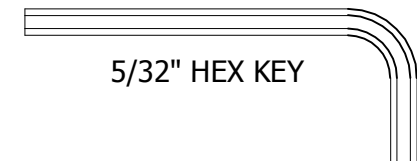


### IMPORTANT!

DO NOT fully tighten the bolts until all bolts are started. Once all bolts are inserted, go back & tighten all the bolts.

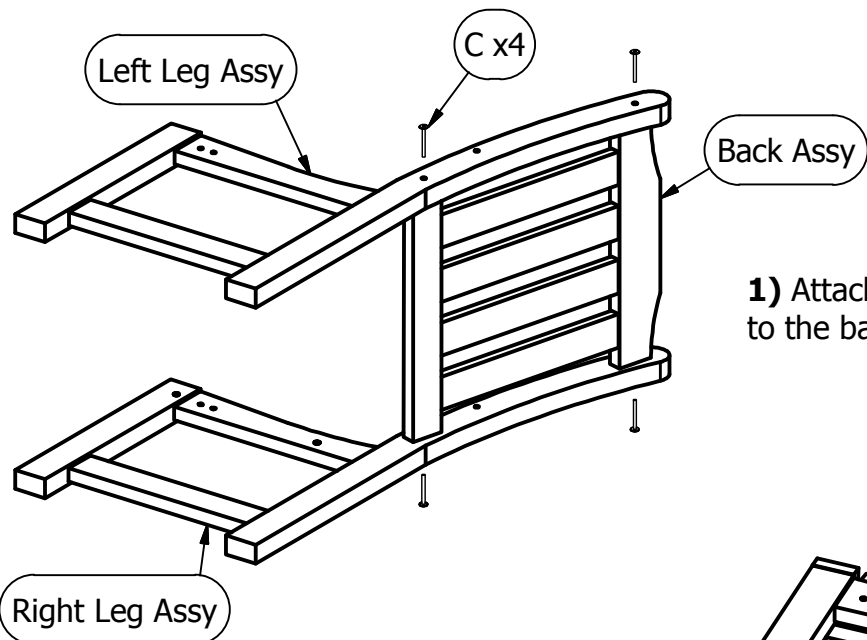
Retain these instructions for future reference

### INCLUDED TOOLS

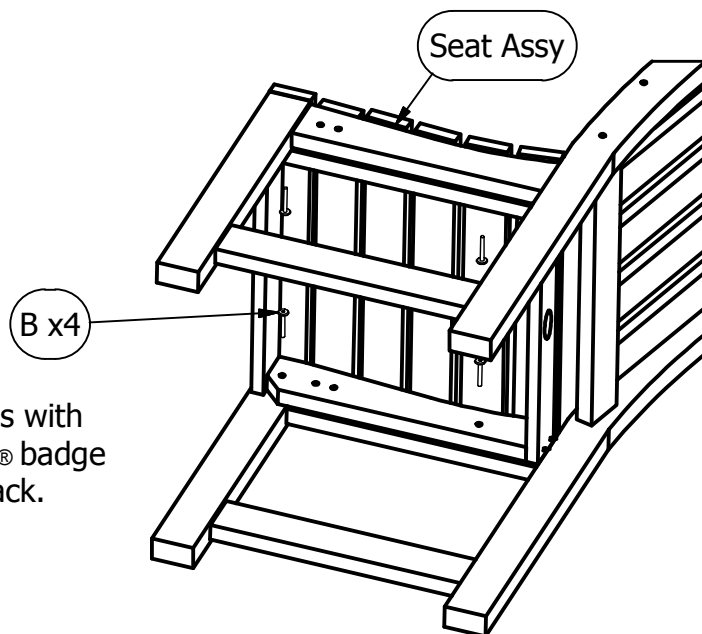


# Lehigh Collection Dining Chair with Arms

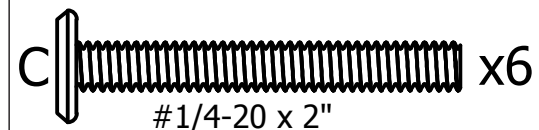
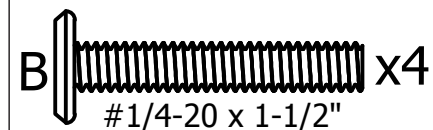
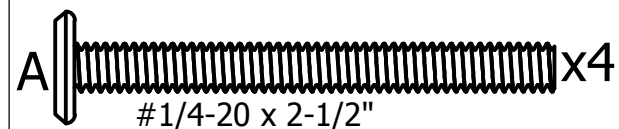
## Assembly Guide



2) Attach the seat to the legs with (4) "B" bolts. The Highwood® badge should be visible from the back.



### HARDWARE

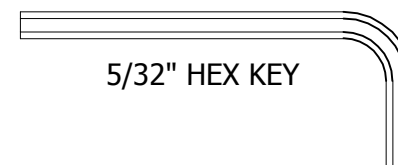


### IMPORTANT!

DO NOT fully tighten the bolts until all bolts are started. Once all bolts are inserted, go back & tighten all the bolts.

Retain these instructions for future reference

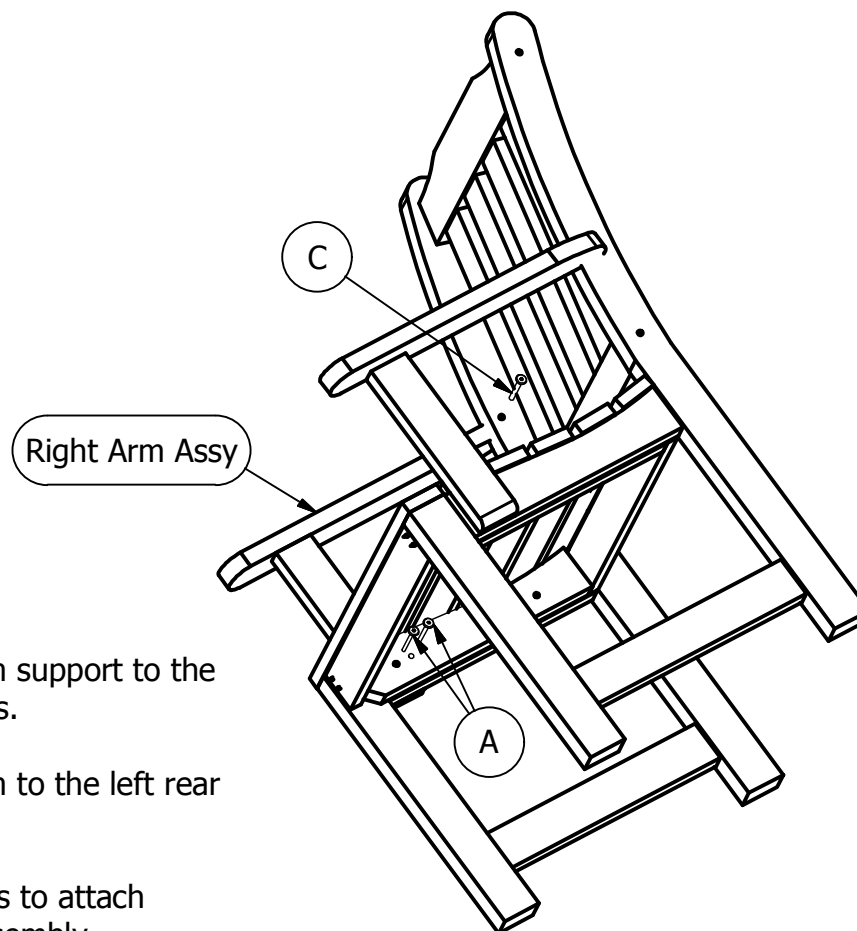
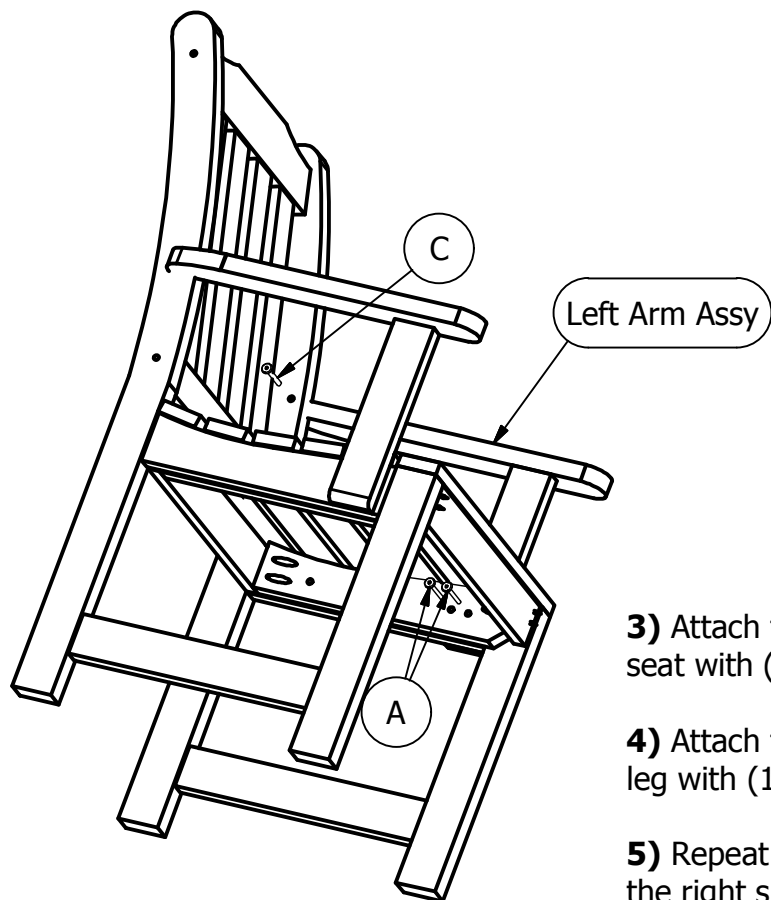
### INCLUDED TOOLS



## Lehigh Collection

# Dining Chair with Arms

## Assembly Guide



- 3)** Attach the left arm support to the seat with (2) "A" bolts.
- 4)** Attach the left arm to the left rear leg with (1) "C" bolt.
- 5)** Repeat these steps to attach the right side arm assembly.
- 6)** Tighten all bolts.