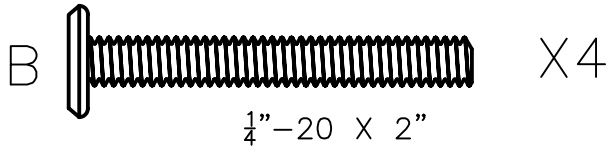
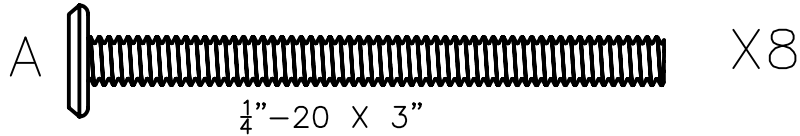


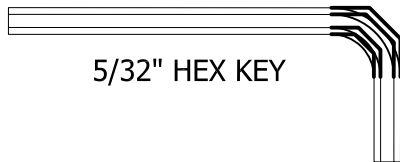
DO NOT fully tighten the bolts until all bolts are started. Once all bolts are inserted, then go back and tighten all the bolts.

# ROUND TABLE ASSEMBLY INSTRUCTIONS

## HARDWARE



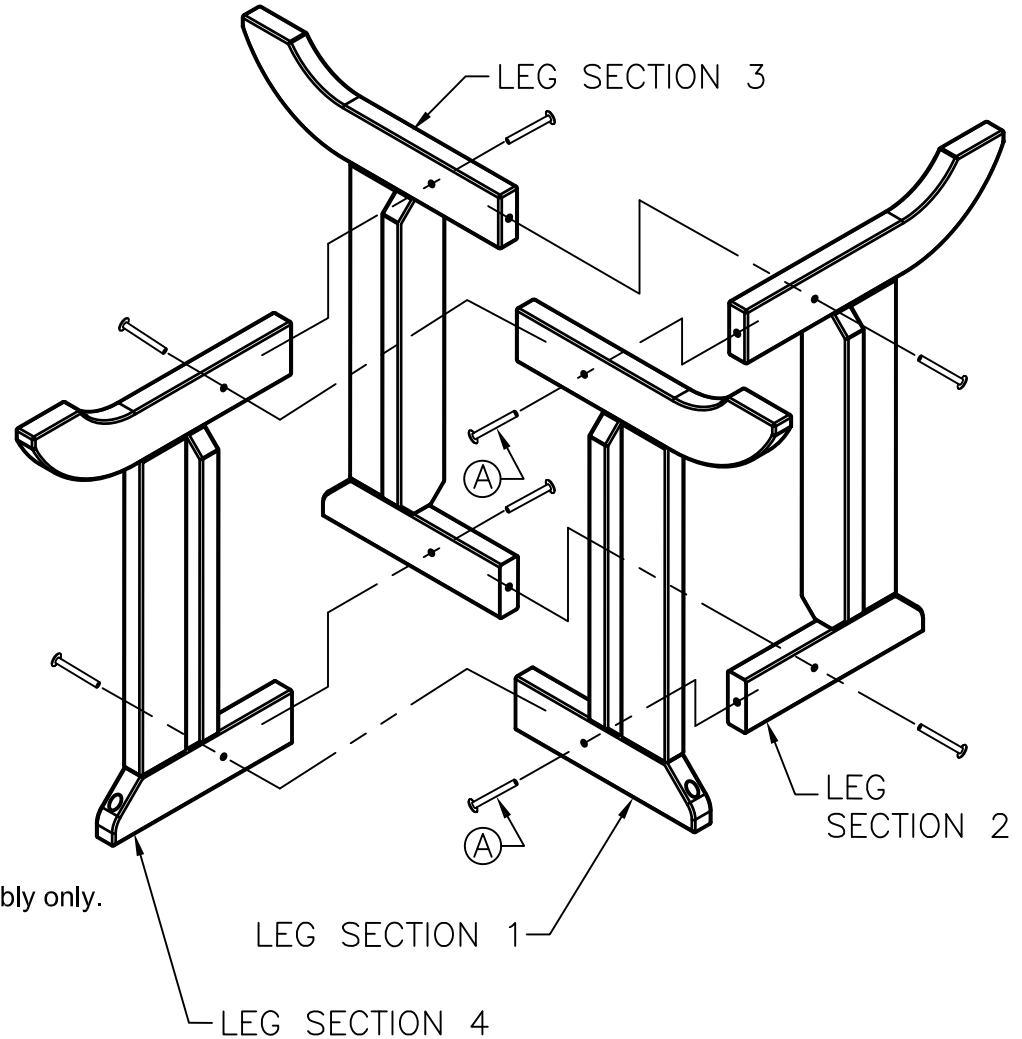
## INCLUDED TOOLS



NOTE: All 4 Leg Sections are identical and numbered for order of assembly only.

NOTE: DO NOT tighten bolts until Table is fully assembled.

- 1) Attach leg section 1 to leg section 2 with 2 A bolts.
- 2) Attach leg section 2 to leg section 3 with 2 A bolts.
- 3) Attach leg section 3 to leg section 4 with 2 A bolts.
- 4) Attach leg section 4 to leg section 1 with 2 A bolts.



AD-DRT-36  
11-30-16

**highwood**<sup>®</sup>  
NATURE'S CLOSEST RIVAL

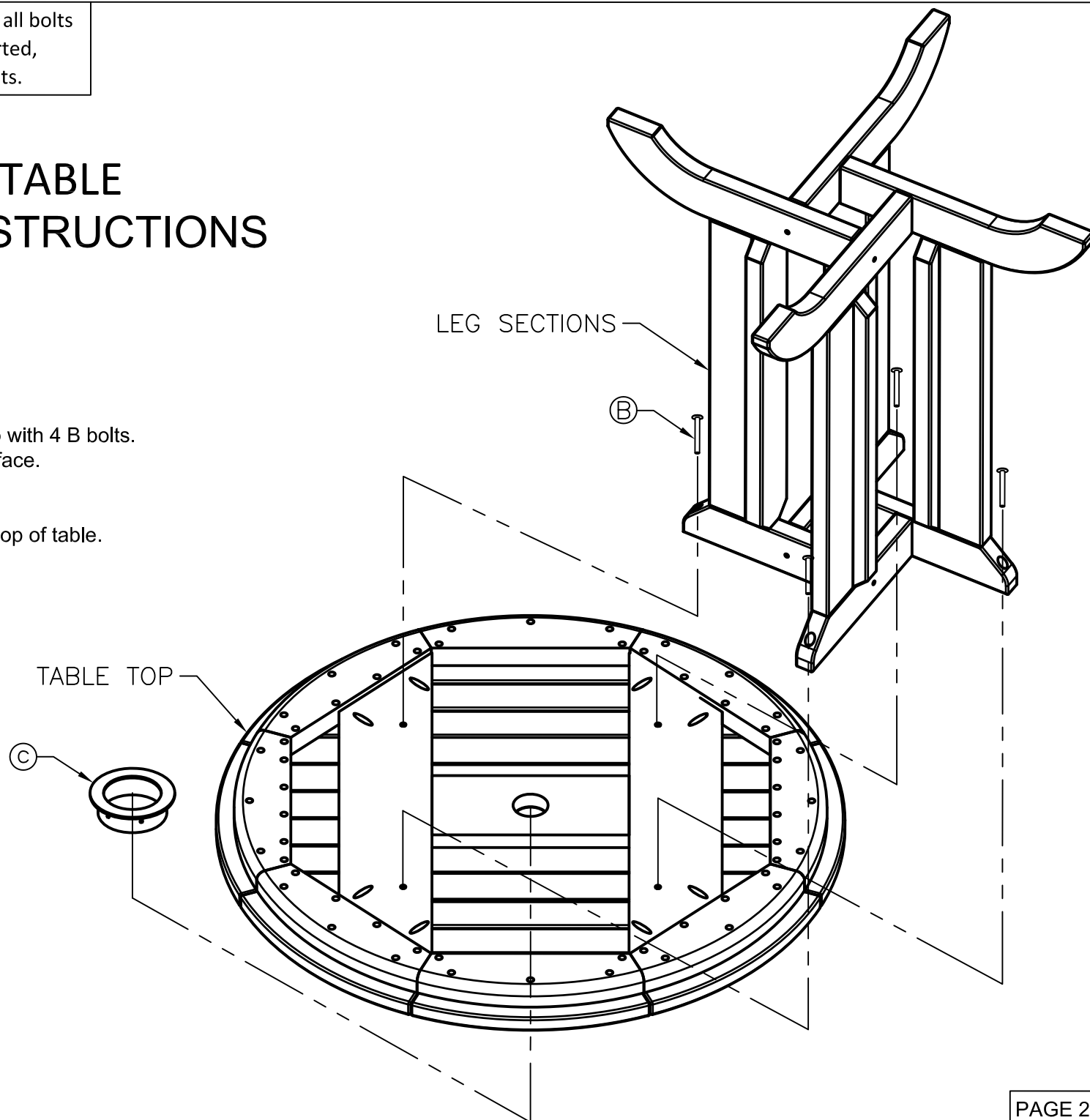
For information on Care and Cleaning your **highwood**<sup>®</sup> product visit [www.highwood-usa.com/care.html](http://www.highwood-usa.com/care.html)  
Visit our Website and Facebook page to see more **highwood**<sup>®</sup> products!  
[www.highwood-usa.com](http://www.highwood-usa.com) [www.facebook.com/highwoodUSA](https://www.facebook.com/highwoodUSA)

PAGE 1 OF 2

DO NOT fully tighten the bolts until all bolts are started. Once all bolts are inserted, then go back and tighten all the bolts.

## ROUND TABLE ASSEMBLY INSTRUCTIONS

- 5) Attach leg sections to table top with 4 B bolts.
- 6) Turn table upright onto flat surface.
- 7) Tighten all 4 B bolts.
- 8) Tighten all 8 A bolts.
- 9) Install umbrella grommet C in top of table.

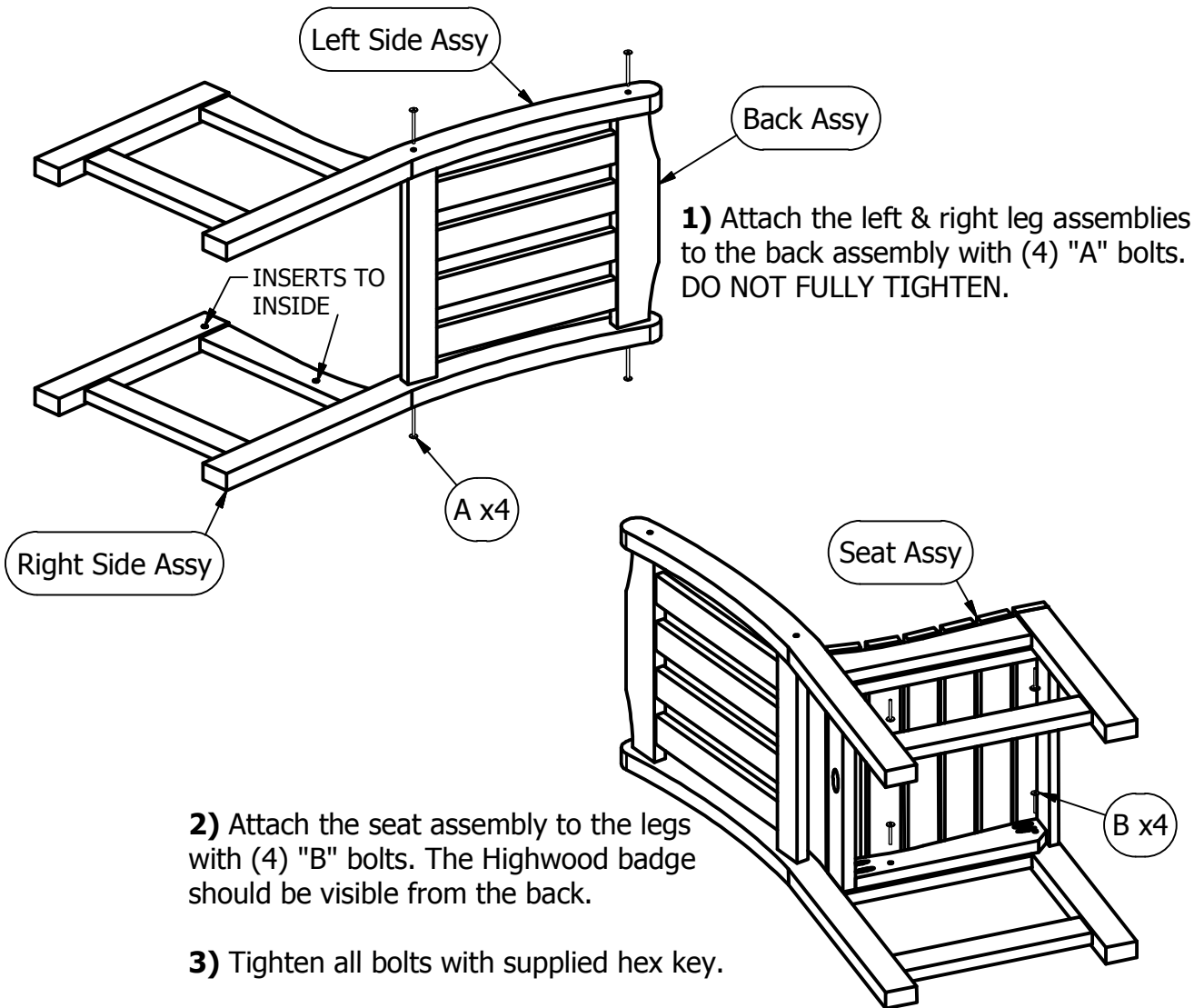


AD-DRT-36  
11-30-16

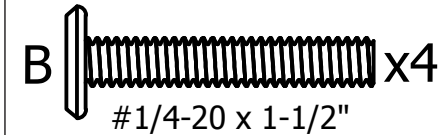
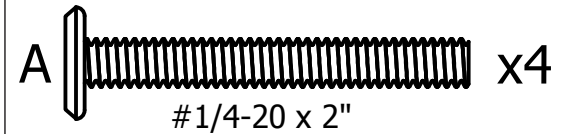
**highwood**<sup>®</sup>  
NATURE'S CLOSEST RIVAL

# Lehigh Collection Dining Chair

## Assembly Guide



### HARDWARE



### IMPORTANT!

DO NOT fully tighten the bolts until all bolts are started. Once all bolts are inserted, go back & tighten all the bolts.

Retain these instructions for future reference

### INCLUDED TOOLS

